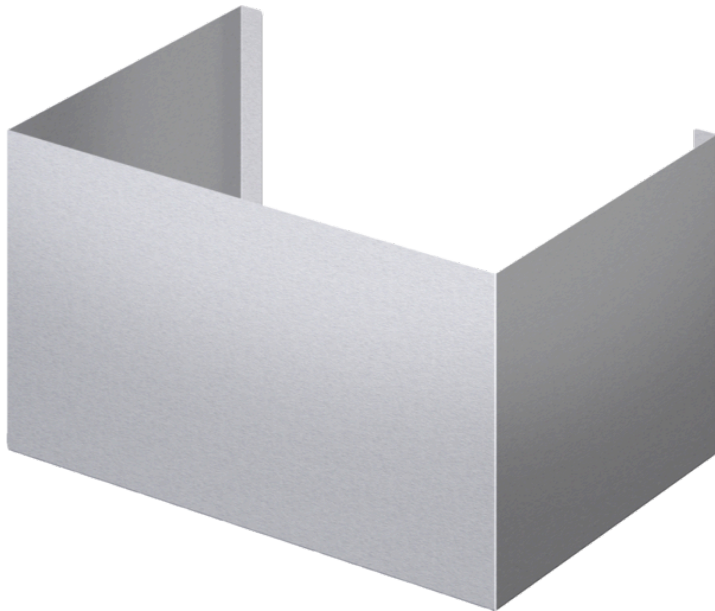


16-Inch Tall Duct Cover for Low-Profile Wall Hood
DCT3016W



Product Features

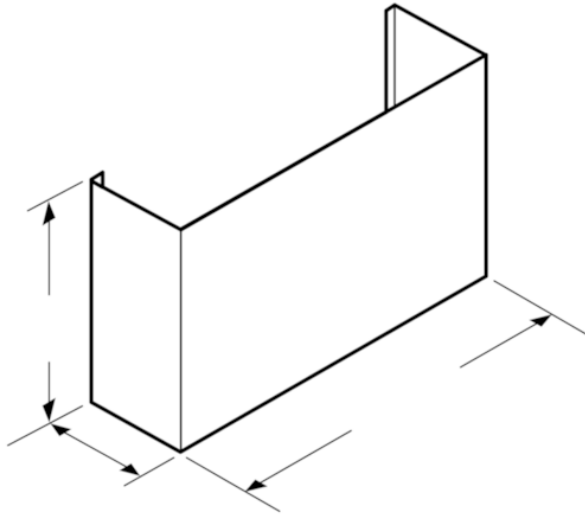


Notes: Please refer to installation instructions. Installation instructions are available at www.thermador.com. Specifications are correct at the time of printing. Thermador reserves the right to change product specifications and design at any time, without notice.

1 800 735 4328 | WWW.THERMADOR.COM | 1901 Main Street, Suite 600 Irvine, CA 92614

©2020 BSH HOME APPLIANCES CORPORATION, ALL RIGHTS RESERVED LITHO DATE: 05/2020

16-Inch Tall Duct Cover for Low-Profile Wall Hood
DCT3016W



Product Features

Product group	Accessory
Brand	Thermador
SKU	DCT3016W
Internal article number	00000000000718489
EAN code	825225956280
Product packaging dimensions (HxWxD) (in)	17" x 33 7/8" x 20 7/8"
Net weight (lbs)	17
Gross weight (lbs)	19
UPC code	825225956280
Name of product image	MCSA00782419_CHMHP3612N_def.jpg

Technical Specification

Notes: Please refer to installation instructions. Installation instructions are available at www.thermador.com. Specifications are correct at the time of printing. Thermador reserves the right to change product specifications and design at any time, without notice.

1 800 735 4328 | WWW.THERMADOR.COM | 1901 Main Street, Suite 600 Irvine, CA 92614

©2020 BSH HOME APPLIANCES CORPORATION, ALL RIGHTS RESERVED LITHO DATE: 05/2020