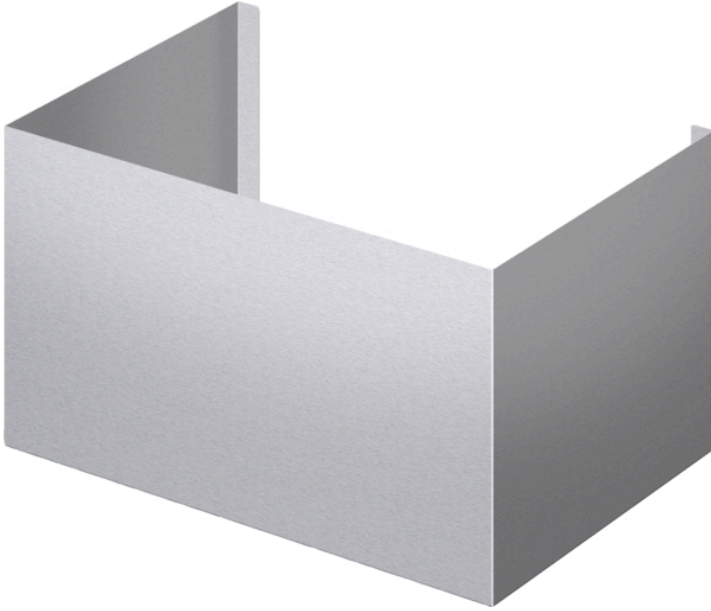


**16-Inch Tall Duct Cover for Low-Profile Wall Hoods**  
DCT3616W



**Product Features**

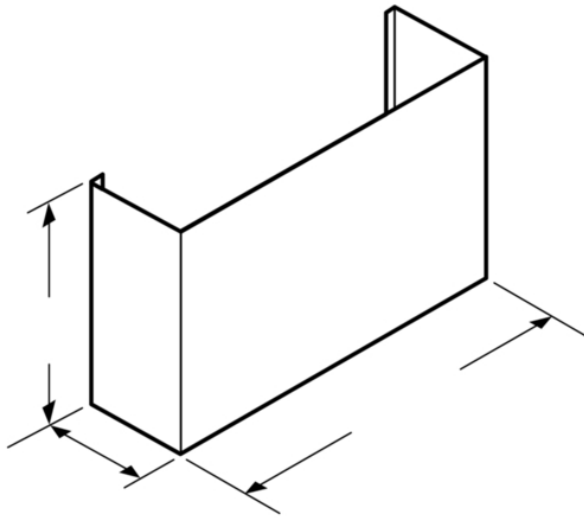


Notes: Please refer to installation instructions. Installation instructions are available at [www.thermador.com](http://www.thermador.com). Specifications are correct at the time of printing. Thermador reserves the right to change product specifications and design at any time, without notice.

1 800 735 4328 | [WWW.THERMADOR.COM](http://WWW.THERMADOR.COM) | 1901 Main Street, Suite 600 Irvine, CA 92614

©2022 BSH HOME APPLIANCES CORPORATION, ALL RIGHTS RESERVED LITHO DATE: 07/2022

**16-Inch Tall Duct Cover for Low-Profile Wall Hoods**  
DCT3616W



**Product Features**

		Accessory
Brand	Thermador	
SKU	DCT3616W	
Internal article number	00000000000718490	
EAN code	825225956297	
Product packaging dimensions (HxWxD)	17" x 40 1/8" x 20 7/8"	
	18	
	21	
UPC code	825225956297	
Product image	MCSA00782419_CHMHP3612N_def.jpg	

**Technical Specification**

Notes: Please refer to installation instructions. Installation instructions are available at [www.thermador.com](http://www.thermador.com). Specifications are correct at the time of printing. Thermador reserves the right to change product specifications and design at any time, without notice.

1 800 735 4328 | [WWW.THERMADOR.COM](http://WWW.THERMADOR.COM) | 1901 Main Street, Suite 600 Irvine, CA 92614

©2022 BSH HOME APPLIANCES CORPORATION, ALL RIGHTS RESERVED LITHO DATE: 07/2022