

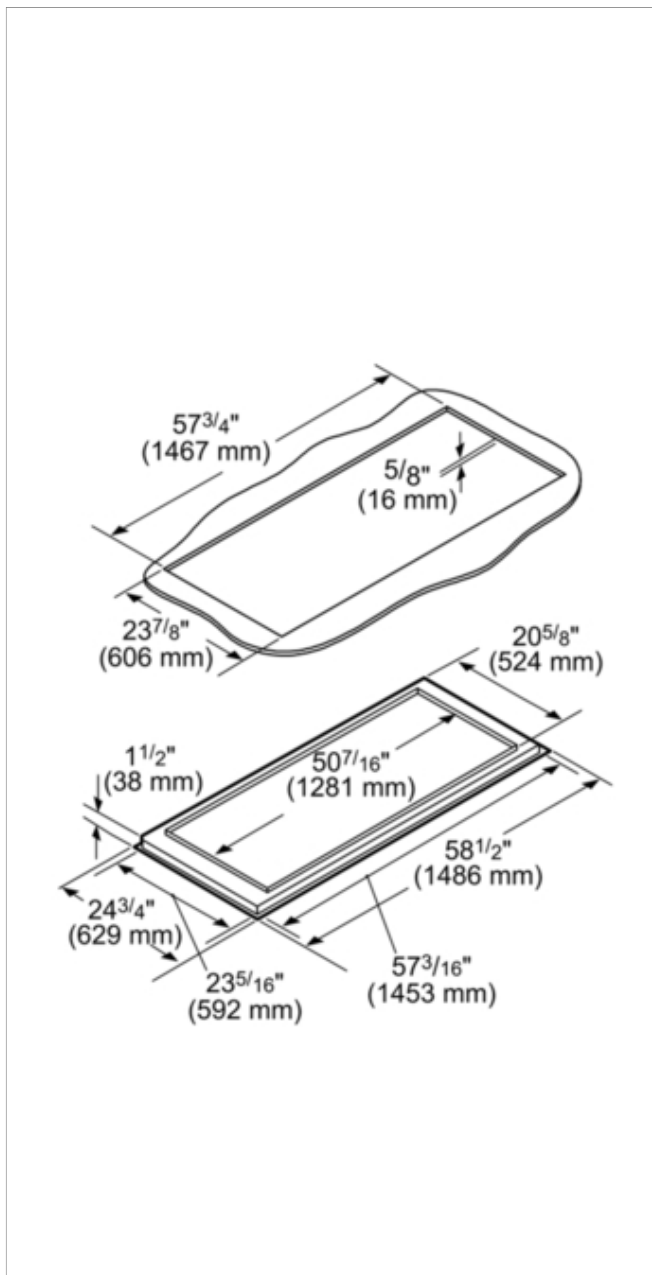


LINER254

Performance

- The liner completes Thermador's Professional Series custom insert installation
- The liner has pre-drilled mounting holes to make installation easy
- Wipes clean easily
- Use the EXTNCB25 Blower Cable Connection Accessory for install with select hoods. Separate purchase required.

825225902959



Product Features

Product group: Accessory
Brand: Thermador
SKU: LINER254
Internal article number: LINER254
EAN code: 825225902959
Net weight (lbs): 8
Gross weight (lbs): 12
UPC code: 825225902959

Consumption and connection features

2017-10-25