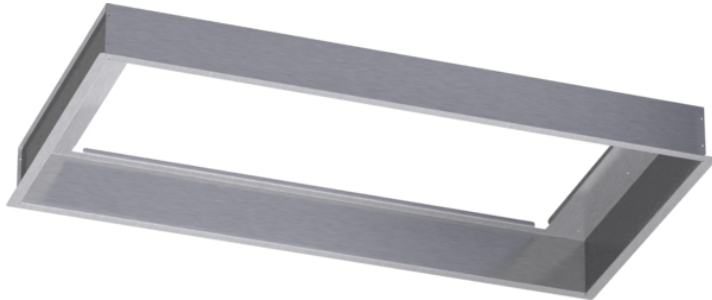


## Liner for Professional Series Custom Insert LINER30



### Product Features

Stainless steel custom hood liner protects the exterior base of the custom cabinetry

Stainless steel custom hood liners to protect the exterior base of custom insert

Custom hood liner completes custom insert installation

Wipes clean easily

For use with VCINxxJP Series custom hood inserts

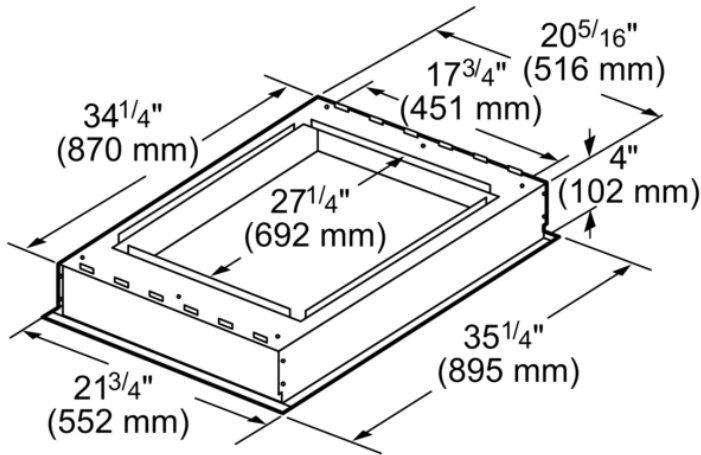
Use the EXTNCB25 Blower Cable Connection Accessory for install with select hoods. Separate purchase required.

Notes: Please refer to installation instructions. Installation instructions are available at [www.thermador.com](http://www.thermador.com). Specifications are correct at the time of printing. Thermador reserves the right to change product specifications and design at any time, without notice.

1 800 735 4328 | [WWW.THERMADOR.COM](http://WWW.THERMADOR.COM) | 1901 Main Street, Suite 600 Irvine, CA 92614

©2022 BSH HOME APPLIANCES CORPORATION, ALL RIGHTS RESERVED LITHO DATE: 05/2022

## Liner for Professional Series Custom Insert LINER30



measurements in inches and mm

### Product Features

	Accessory
Brand	Thermador
SKU	LINER30
Internal article number	LINER30
EAN code	825225883647
	7
	11
UPC code	825225883647
Product image	MCSA044014_LINER36_def.jpg

### Technical Specification

Notes: Please refer to installation instructions. Installation instructions are available at [www.thermador.com](http://www.thermador.com). Specifications are correct at the time of printing. Thermador reserves the right to change product specifications and design at any time, without notice.

1 800 735 4328 | [WWW.THERMADOR.COM](http://WWW.THERMADOR.COM) | 1901 Main Street, Suite 600 Irvine, CA 92614

©2022 BSH HOME APPLIANCES CORPORATION, ALL RIGHTS RESERVED LITHO DATE: 05/2022