

Built-In Remote Control Accessory REMCPW



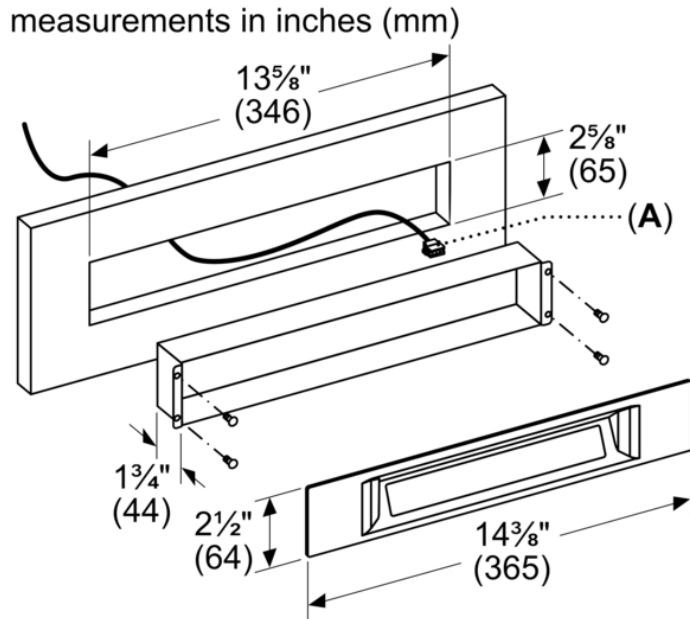
Product Features

Notes: Please refer to installation instructions. Installation instructions are available at www.thermador.com. Specifications are correct at the time of printing. Thermador reserves the right to change product specifications and design at any time, without notice.

1 800 735 4328 | WWW.THERMADOR.COM | 1901 Main Street, Suite 600 Irvine, CA 92614

©2022 BSH HOME APPLIANCES CORPORATION, ALL RIGHTS RESERVED LITHO DATE: 05/2022

Built-In Remote Control Accessory
REMCPW



A: DBus Cable length: 30 feet (9180 mm)

Product Features

Accessory	
Brand	Thermador
SKU	REMCPW
Internal article number	00000000011030163
EAN code	825225940951
Product packaging dimensions (HxWxD)	17 1/16" x 6 15/16" x 4 1/4"
	3
	4
UPC code	825225940951
Product image	MCSA02897898_J0807_2221353_REMCPW_CMYK

Technical Specification

Notes: Please refer to installation instructions. Installation instructions are available at www.thermador.com. Specifications are correct at the time of printing. Thermador reserves the right to change product specifications and design at any time, without notice.

1 800 735 4328 | WWW.THERMADOR.COM | 1901 Main Street, Suite 600 Irvine, CA 92614

©2022 BSH HOME APPLIANCES CORPORATION, ALL RIGHTS RESERVED LITHO DATE: 05/2022