

## Built-In Remote Control Accessory REMCPW



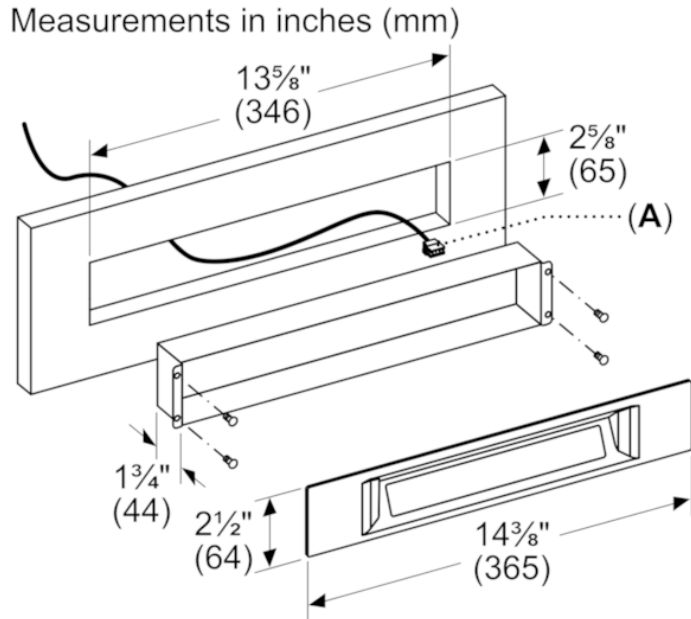
## Product Features

Notes: Please refer to installation instructions. Installation instructions are available at [www.thermador.com](http://www.thermador.com). Specifications are correct at the time of printing. Thermador reserves the right to change product specifications and design at any time, without notice.

1 800 735 4328 | [WWW.THERMADOR.COM](http://WWW.THERMADOR.COM) | 1901 Main Street, Suite 600 Irvine, CA 92614

©2019 BSH HOME APPLIANCES CORPORATION, ALL RIGHTS RESERVED LITHO DATE: 11/2019

**Built-In Remote Control Accessory**  
REMCPW



A: D-Bus Cable length: 30 feet (9180 mm)

**Product Features**

Brand	Thermador
SKU	REMCPW
Internal article number	00000000011030163
EAN code	825225940951
Product packaging dimensions (HxWxD) (in)	17 1/16" x 6 15/16" x 4 1/4"
Net weight (lbs)	3
Gross weight (lbs)	4
UPC code	825225940951
Name of product image	MCSA02897898_J0807_2221353_REMCPW_CMYK

**Technical Specification**

Notes: Please refer to installation instructions. Installation instructions are available at [www.thermador.com](http://www.thermador.com). Specifications are correct at the time of printing. Thermador reserves the right to change product specifications and design at any time, without notice.

1 800 735 4328 | [WWW.THERMADOR.COM](http://WWW.THERMADOR.COM) | 1901 Main Street, Suite 600 Irvine, CA 92614

©2019 BSH HOME APPLIANCES CORPORATION, ALL RIGHTS RESERVED LITHO DATE: 11/2019