

**Thermador**® | *An American Icon™*

# VENTILATION INSTALLATION MANUAL

MODEL: VCI 230/236/248 DS





# IMPORTANT SAFETY INSTRUCTIONS

Read All Instructions Before Using the Appliance.  
READ AND SAVE THESE INSTRUCTIONS.

## WARNING

TO REDUCE THE RISK OF FIRE, ELECTRIC SHOCK, OR INJURY TO PERSONS, OBSERVE THE FOLLOWING:

- A. Installation work and electrical wiring must be done by qualified person(s) in accordance with all applicable codes and standards, including fire-related construction.
- B. Sufficient air is needed for proper combustion and exhausting of gases through the flue (chimney) of fuel burning equipment to prevent backdrafting. Follow the heating equipment manufacturer's guideline and safety standards such as those published by the National Fire Protection Association (NFPA), and the American Society for Heating, Refrigeration and Air Conditioning Engineers (ASHRAE), and the local code authorities.
- C. When cutting or drilling into wall or ceiling, do not damage electrical wiring and other hidden utilities.
- D. Ducted fans must always be vented to the outdoors.
- E. Always unplug or disconnect the appliance from the power supply before servicing.
- F. This unit is designed for indoor use only. Use this unit only in the manner intended by the manufacturer.

## WARNING

Caution: For general ventilating use only. Do not use to exhaust hazardous or explosive materials and vapors.

To reduce risk of fire and to properly exhaust air, be sure to duct air outside. Do not vent exhaust air into spaces within walls, ceilings, attics, crawl spaces or garages.

TO REDUCE THE RISK OF FIRE, USE ONLY METAL DUCTWORK.

To reduce the risk of fire or electric shock, do not use the fan with any solid-state speed control device.

This appliance has been found to be in compliance with UL507 Standard for Electric Fans and CAN/CSA-22.2 No. 113 Canadian Standard for Fans and Ventilators. It is the responsibility of the owner and the installer to determine if additional requirements or standards apply in specific installations.

To reduce the risk of fire and electrical shock, install this rangehood only with blowers manufactured by BSH see page 2.

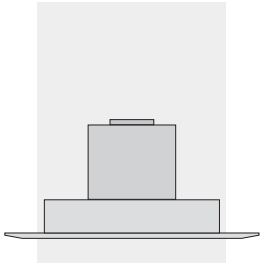
This unit is manufactured for indoor use only. Do not use this unit outdoors.

## Tools Needed

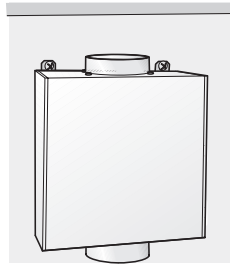
- Tape measure
- Phillips screwdriver
- Duct tape
- Ductwork (configuration varies depending on location)
- Additional sheet metal screws (as necessary for ductwork installation)

## Parts Included

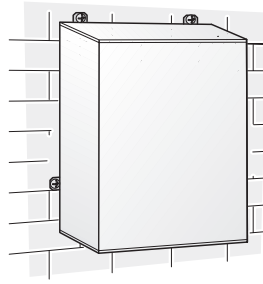
- Appliance assembly (1)
- Wood screws (4)
- Metrical screws M5x45 (4)
- Hardware for mounting brackets (2)
- Plugs UX6 (4)



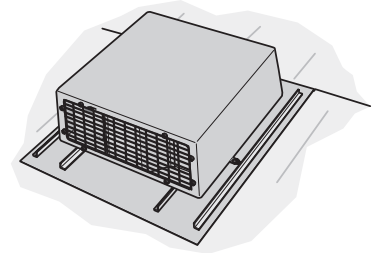
VTI 610 D



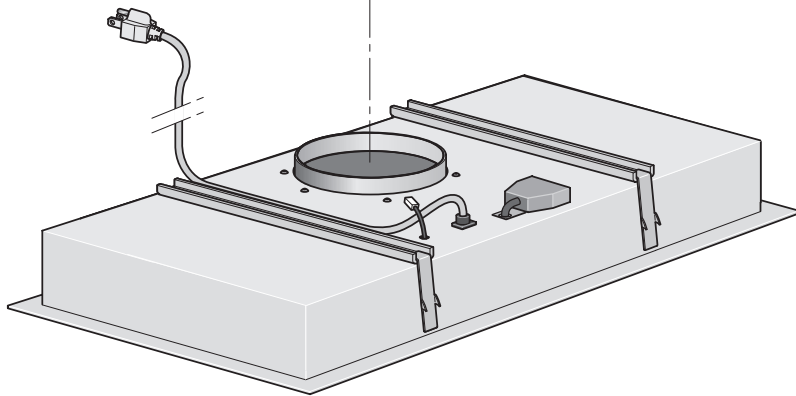
VTI 610 D  
VTI 1010 D



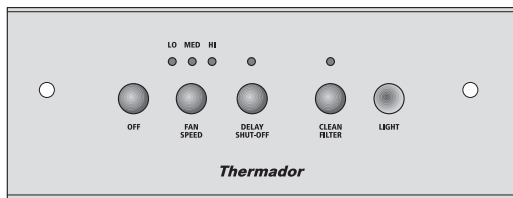
VTR 630 D  
VTR 1030 D  
VTR 1500  
VTR 1330 E



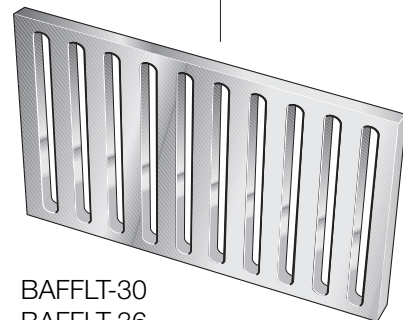
VTR 1500  
(+ Accessories)



### Accessories



Wired Remote Control VCI 2 REM



BAFFLT-30  
BAFFLT-36  
BAFFLT-48

## IMPORTANT INFORMATION:

⚠ Old appliances are not worthless junk. Valuable raw materials can be reclaimed by recycling old appliances. Before disposing of your old appliance, render it unusable.

⚠ You received your new appliance in a protective shipping carton. All packaging materials are environmentally friendly and recyclable. Please contribute to a better environment by disposing of packaging materials in an environmentally-friendly manner.

⚠ The hood can only be used in exhaust air mode.

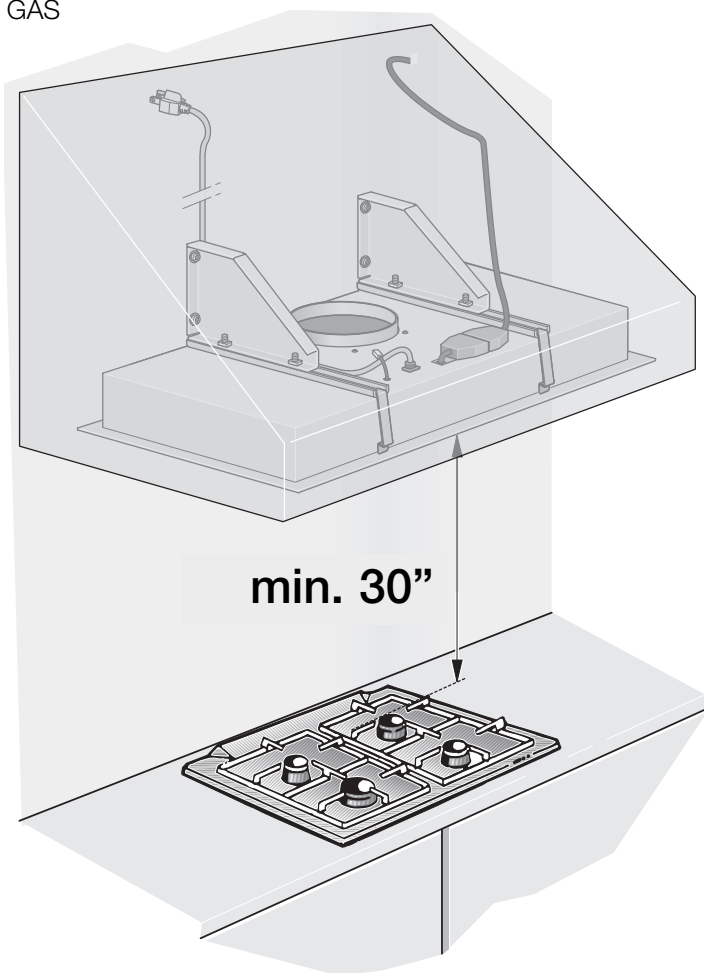
⚠ Always mount the hood over the center of the cooktop.

⚠ Minimum distance between electric cooktop and bottom edge of hood: **30" mm**, Fig. 1.

⚠ The extractor hood must not be installed over a solid fuel cooker – a potential fire hazard (e.g. flying sparks) – unless the cooker features a **closed, non-removable cover** and all national regulations are observed.

⚠ The smaller the gap between the hood and burners, the greater the likelihood that droplets will form on the underside of the hood.

Fig. 1  
GAS



## Additional gas cooktop information:

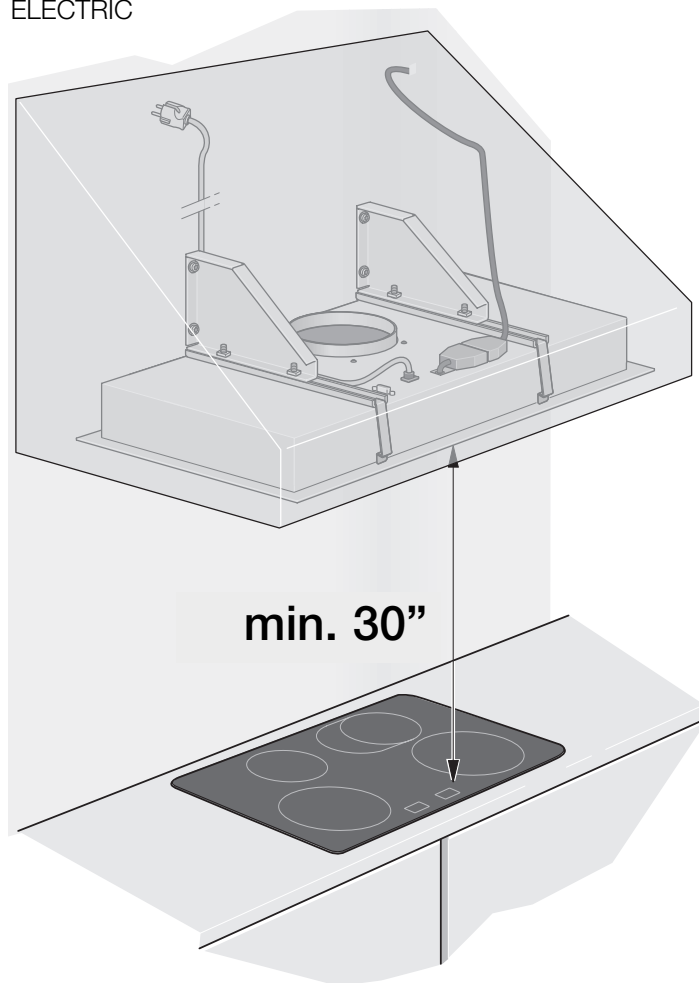
⚠ When installing gas cooktops, comply with the relevant national statutory regulations.

⚠ Always comply with the currently valid regulations and installation instructions supplied by the gas appliance manufacturer.

⚠ Only one side of the hood may be installed next to a high-sided unit or high wall. Leave a gap of at least 2\"/>

⚠ Minimum distance between the upper edge of the gas burner grates and lower edge of the hood: **30\"/>**

ELECTRIC



# BEFORE INSTALLATION

## EXHAUST-AIR MODE

The exhaust air is discharged upwards through a duct or directly through an exterior wall to the outdoors.

✂ Exhaust air should neither be directed into a smoke or exhaust flue (chimney) that is currently used for other purposes nor into a duct that is used for ventilating rooms in which stoves or fireplaces are also located.

**Exhaust air may be discharged in accordance with official and statutory regulations only (e.g. national building regulations).**

Local government regulations must be observed when discharging air into smoke or exhaust flues that are not otherwise in use.

✂ **When the extractor hood is operated in exhaust-air mode simultaneously with a different heating system that also makes use of the same chimney** (such as gas, oil or coal-fired heaters, continuous-flow heaters, hot-water boilers), care must be taken to **ensure that there is an adequate supply of fresh air**, which will be needed by the heating system for combustion.

Safe operation is possible provided that the negative pressure in the room where the heating system is installed does not exceed 4 Pa (0.04 mbar).

This can be achieved if combustion air can flow through non-lockable openings, such as doors, windows and through the air-intake/exhaust-air wall box.

**WARNING – Avoid risk of poisoning – If the air intake is inadequate, there is a risk of poisoning from combustion gases that are drawn back into the room.**

Note: When assessing the overall requirements, the combined ventilation system for the entire household must be taken into consideration. This rule does not apply to the use of cooking appliances, such as cooktops and ovens.

Unrestricted operation is possible if the extractor hood is used in recirculating mode – with activated carbon filters.

**If the exhaust air is going to be discharged to the outdoors**, a telescopic wall box should be fitted into the outside wall.

For optimum hood efficiency:

- Short, smooth ductwork.
- As few bends in the ductwork as possible.
- Diameter of ductwork to be as wide as possible with no tight bends in ductwork.

**If using long, rough exhaust-air ductwork, several duct elbows or ductwork with a narrower diameter, the rate of air extraction will no longer be at an optimum level and there will be an increase in noise.**

**IMPORTANT: The manufacturer of the hood accepts no liability for complaints which can be attributed to the design and layout of the ductwork.**

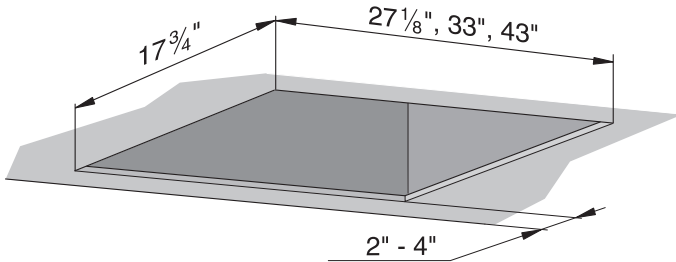
- Round duct sections:**  
Recommended  
internal diameter: 6"/10".
- Flat ducts** must have an internal cross-section equal to that of round duct sections.  
Minimum  $\varnothing$  6" approx. 28.3 inches<sup>2</sup>.
- If ducts have different diameters:**  
Insert sealing strip for transition.
- For exhaust-air mode**, ensure that there is an adequate supply of fresh air.

# BEFORE INSTALLATION

## Step 1: PREPARING THE CUTOUT

- ❑ The wall must be flat and vertical.
- ❑ Make sure that the wall is capable of providing a firm hold for mounting screws and plugs.

Weight in kg: 24,5.

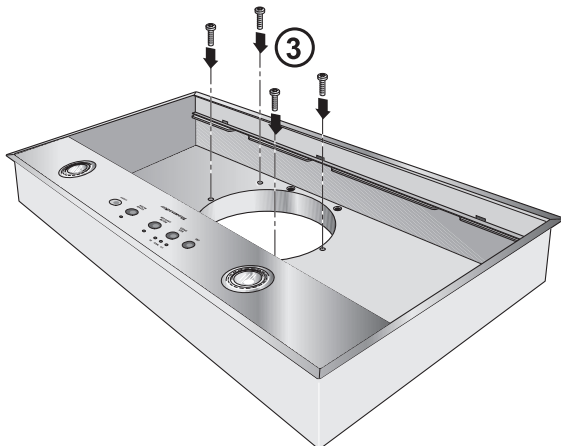
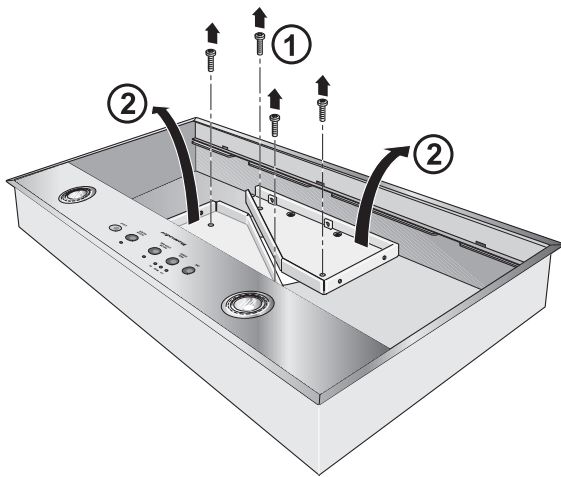


## Step 2: PREPARING THE INSTALLATION

There are two mounting methods:

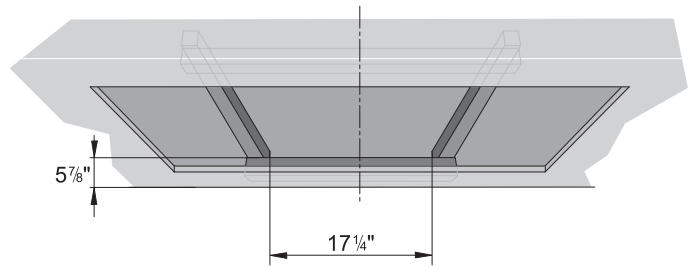
Installation in wooden framework **or**  
Installation with the mounting brackets provided.

- Remove mounting brackets by removing screws



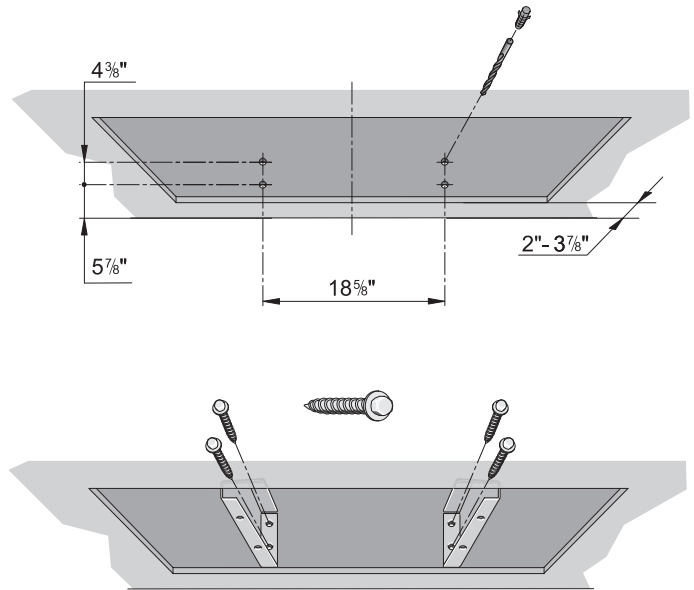
- After removing the mounting brackets, the screws must be inserted again.

## Preparing the wooden framework



## Preparing the installation with mounting brackets

4 x  $\frac{1}{4}$ " holes



## Step 3: ELECTRICAL CONNECTION

### **WARNING: THIS APPLIANCE MUST BE GROUNDED**

The hood should only be connected to a grounded socket that has been installed according to relevant regulations.


If possible, place the grounded socket directly behind the chimney paneling. Attach the grounded socket as close to the appliance as possible and in an accessible location.

- The grounded socket should be connected to its own circuit.
- If the grounded socket is no longer accessible following installation of the extractor hood, make sure that an electrical switch is permanently installed for turning off the appliance.

## ELECTRICAL INSTALLATION

Check your local building codes for proper method of installation. In the U.S., if there are no applicable local codes, this unit should be installed in accordance with the National Electric Code ANSI/NFPA No. 70, Current Issue. (In Canada, installation must be in accordance with the CAN 1- B149.1 and .2 - Installation Codes for Gas Burning Appliances and/or local codes).


The appliance must be grounded. In the event of an electrical short circuit, grounding reduces the risk of electric shock by providing a wire that allows the electric current to escape. This appliance has a cord with a ground wire and grounded plug. The plug must be plugged into an outlet that is properly installed and grounded.

 **WARNING** – Improper grounding can result in risk of electric shock.

Consult a qualified electrician if the grounding instructions are not completely understood, or if doubt exists as to whether the appliance is properly grounded.


Do not use an extension cord. If the power supply cord is too short, have a qualified electrician install an outlet near the appliance.

### **If direct wire installation of the extractor hood is necessary:**

 **WARNING** – Avoid risk of electrical shock – If the connecting cable for this appliance is damaged, the cable must be replaced by the manufacturer or his customer service or a similarly qualified person in order to prevent serious injury to the user.

## ELECTRICAL DATA:

Data is located on the name plate inside the appliance after removal of the filter frame.

 **WARNING** – Avoid risk of electric shock – Before undertaking any repairs, always unplug the extractor hood from the power supply.

### **Length of the connecting cable: 55”.**

This extractor hood corresponds to EC regulations concerning RF interference suppression.



## Step 4: CONNECTING THE UNIT

⚠ There are two operating modes:  
with flange mounted blower **or**  
with external blower

### Operating mode with flange mounted blower

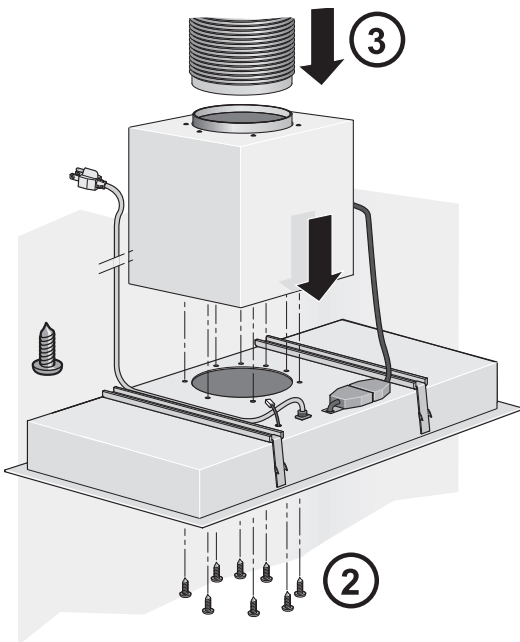
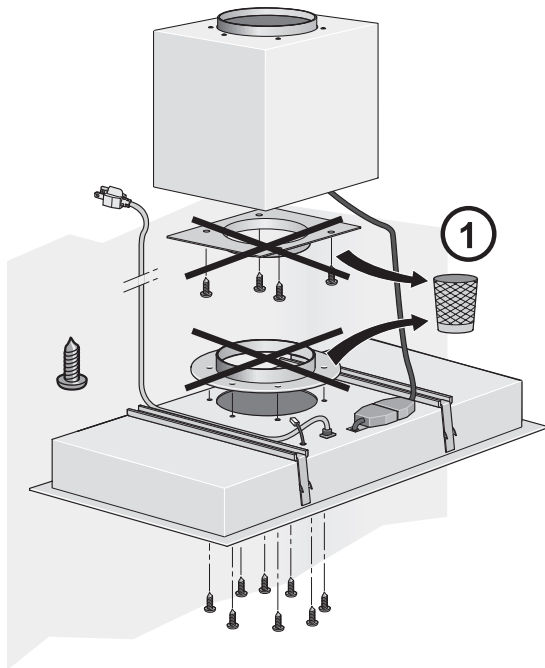
⚠ in combination with VTI 610 D only.

Remove blower assembly pipe socket.

Remove hood pipe socket.

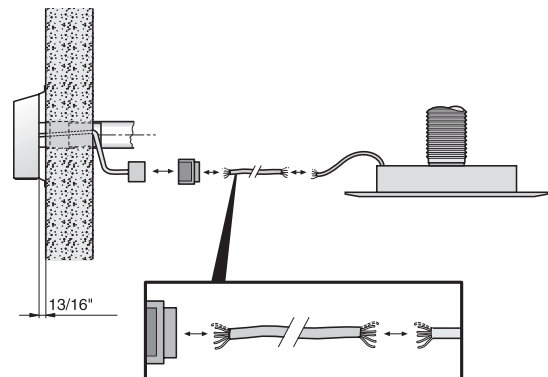
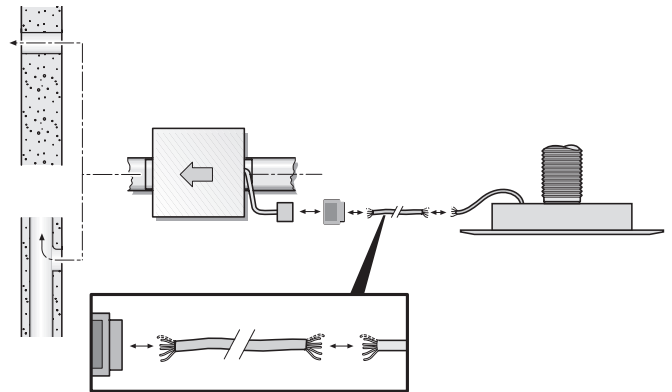
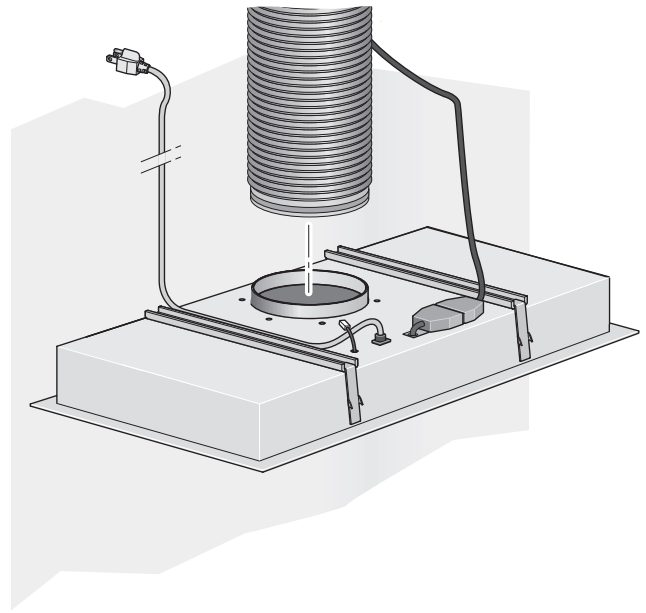
Keep the screws!

Match the hood exhaust opening with the blower intake opening. Mount the blower by using the initial holes and reinserting the ductwork screws.



### Operating mode with external blower

in combination with VTI 610 D, VTI 1010 D, VTR 630 D,  
VTR 1030 D, VTR 1500 only.



If a Wired Remote Control (VCI 2 REM) is being used,  
refer to remote control instructions.

## Step 5: INSTALLATION

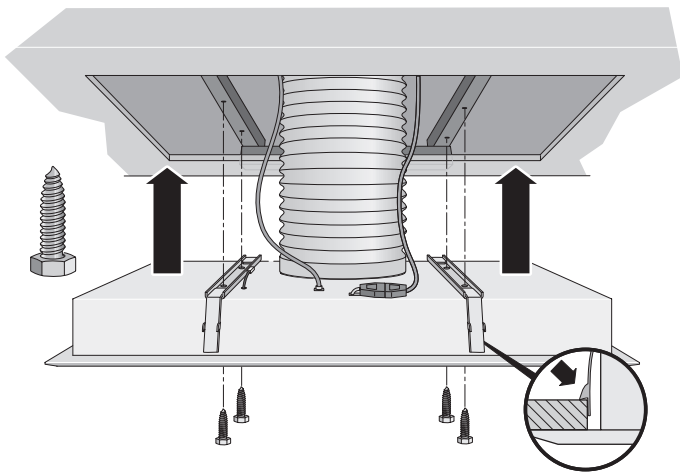
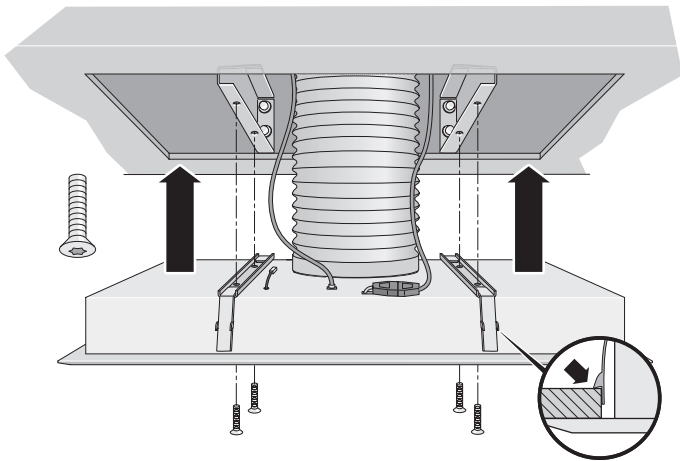
The hood is particularly suitable for installation in a flue or chimney.

To ensure optimum extraction performance (especially important for kitchen island solutions):

- ❑ Install the hood as high as possible within the structure
- ❑ The structure must cover the entire cooking area.

**⚠ CAUTION** – Ensure that the minimum distance between the cooktop and the hood is maintained – 30”.

1. Make sure all connections (ductwork, blower, remote control, power supply) are complete.
2. Remove the **filter grill** (see operating instructions).
3. Push the **hood** up into the installation opening until the installation aid locks into position at the front and rear.
4. Mount the **hood**. Note: The screws must be consistently and diametrically tightened.  
Note: If hood must be removed, unlock the mounting aids by pushing them inward.



## Step 6: VERIFY INSTALLATION, OPERATION AND COOKTOP ALIGNMENT

Before performing this procedure, verify that all packing materials were removed and that the grease filters have been properly installed. Refer to the Care and Use Manual for instructions regarding filter installation.

- A. Turn the blower ON by selecting each of the three speeds in turn. Let the blower run several minutes at each speed to check its operation.
- B. With the blower on HIGH, close the windows and doors to the area to ensure that fan does not cause backdrafting in any outlet vent for another appliance.
- C. Turn the light on and off.
- D. Press the DELAY SHUT-OFF button. Wait 10 minutes to see if the hood switches off.

If the vent system does not operate satisfactorily during any of the above procedures, review all steps in these installation instructions to ensure that nothing has been omitted or overlooked. Also refer to the Care & Use Manual for additional information, or call Thermador Customer Support at 1-800-735-4328.

# INSTRUCTIONS DE SÉCURITÉ IMPORTANTES

LISEZ TOUTES LES INSTRUCTIONS AVANT D'UTILISER CET APPAREIL.  
LIRE ET CONSERVER CES CONSIGNES.

## AVERTISSEMENT

POUR RÉDUIRE LE RISQUE D'INCENDIE, DE CHOC ÉLECTRIQUE OU DE PRÉJUDICE PHYSIQUE, RESPECTEZ LES CONSIGNES SUIVANTES :

- A. Tout travail d'installation ou câblage électrique doit être réalisé par une ou des personnes qualifiées, conformément à tous les codes et normes applicables, y compris ceux relatifs à la construction résistante au feu.
- B. Une circulation d'air efficace est requise afin d'assurer la combustion et l'évacuation complète des gaz par un conduit (cheminée) des équipements à combustible pour prévenir les retours d'air. Suivez les normes et mesures de sécurité des fabricants d'appareils de chauffage publiées par la « National Fire Protection Association » (NFPA), la « American Society for Heating, Refrigeration and Air Conditioning Engineers » (ASHRAE), ainsi que celles des autorités locales.
- C. Lorsque vous percez les murs et plafonds, éviter d'endommager les fils électriques et les autres canalisations de services publics non visibles.
- D. Les ventilateurs enveloppés doivent toujours être ventilés à l'air libre.
- E. Avant toute intervention, pensez toujours à débrancher ou à couper le courant de l'appareil du réseau d'alimentation électrique.
- F. Cet appareil est conçu pour un usage à l'intérieur seulement. N'utiliser cet appareil qu'aux fins prévues par le fabricant.

## AVERTISSEMENT

Mise en garde : pour la ventilation générale seulement. Ne pas utiliser l'appareil pour évacuer des matières ou vapeurs explosives ou dangereuses.

Pour réduire le risque d'incendie et obtenir une bonne évacuation de l'air, veillez à ce que l'air soit acheminé vers l'extérieur. Ne pas évacuer l'air vicié dans des espaces enfermés par des murs, ou dans un plafond, un grenier, un vide sanitaire ou un garage.

AFIN DE RÉDUIRE LE RISQUE D'INCENDIE, N'UTILISER QUE DES CONDUITS EN MÉTAL.

Pour réduire le risque d'incendie ou de choc électrique, ne pas utiliser le ventilateur avec un régulateur de vitesse à semi-conducteurs.

Cet appareil est conforme à la norme UL507 pour les ventilateurs électriques et à la norme canadienne CAN/CSA-22.2 N° 113 pour les ventilateurs. Il incombe au propriétaire et à l'installateur de déterminer si des normes ou exigences additionnelles s'appliquent pour des installations spécifiques.

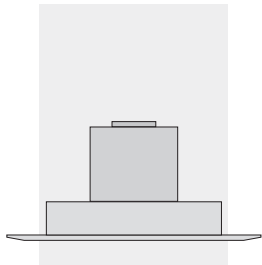
Cet appareil est fabriqué pour un usage à l'intérieur seulement. Ne pas utiliser cet appareil à l'extérieur.

### Outils requis

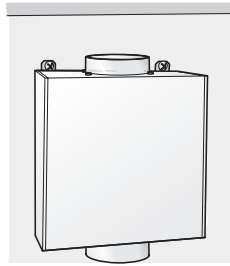
- Mètre à ruban
- Tournevis Philips
- Ruban à conduit
- Système de gaines (la configuration variant selon l'emplacement)
- Vis à tôles supplémentaires (au besoin pour l'installation des conduits)

### Pièces incluses

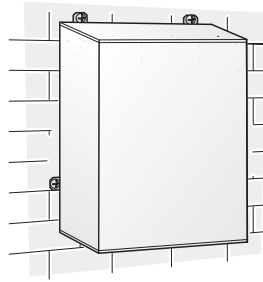
- Dispositif appareil (1)
- Vis à bois (4)
- Vis métriques M5x45 (4)
- Quincaillerie pour support de montage (2)
- Cheilles UX6 (4)



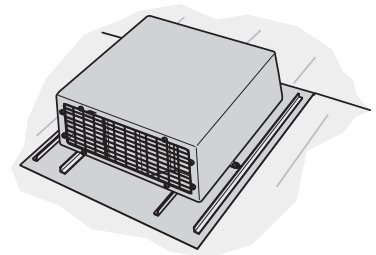
VTI 610 D



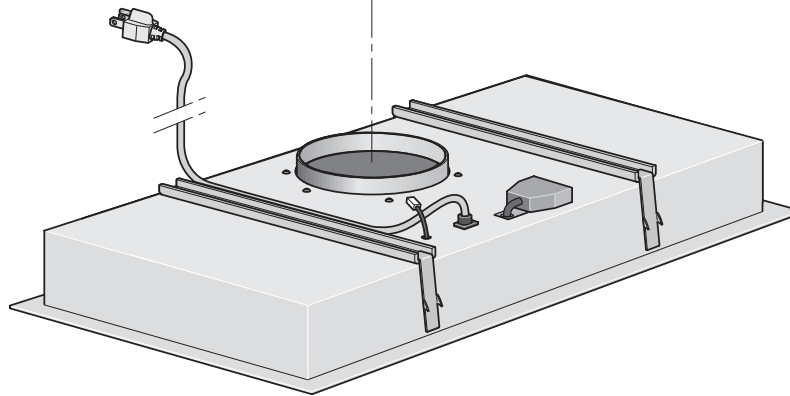
VTI 610 D  
VTI 1010 D



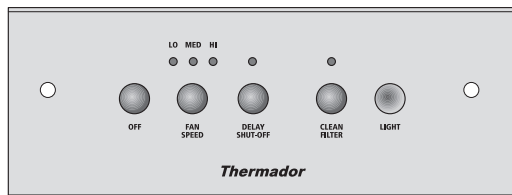
VTR 630 D  
VTR 1030 D  
VTR 1500  
VTR 1330 E



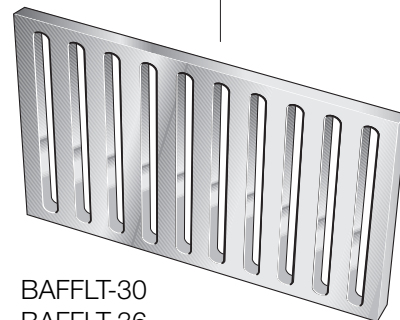
VTR 1500  
(+ Accessoires)



## Accessoires



Télécommande à distance câblée VCI 2 REM

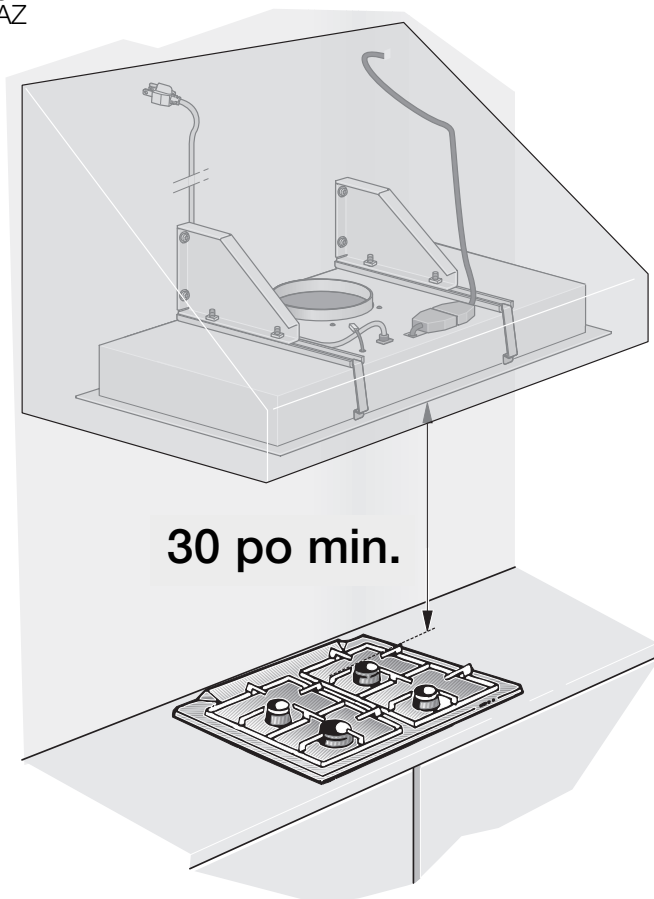


BAFFLT-30  
BAFFLT-36  
BAFFLT-48

## INFORMATION IMPORTANTE :

- ⚠ Les appareils usagés ne sont pas des déchets sans-valeur. Leur élimination par recyclage permet de récupérer de précieuses matières premières. Avant de mettre au rebut un appareil usagé, rendez-le inutilisable.
- ⚠ Votre nouvel appareil vous a été livré dans une caisse d'expédition de protection. Tous les matériaux d'emballage sont respectueux de l'environnement et peuvent être recyclés. Veuillez contribuer à un environnement plus sain en mettant au rebut les matériaux d'emballage dans le respect de l'environnement.
- ⚠ La hotte ne peut être utilisée qu'en mode d'évacuation d'air.
- ⚠ Installez la hotte impérativement au-dessus du centre de la table de cuisson.
- ⚠ Distance minimale entre la plaque électrique et le bord inférieur de la hotte : **30 po**, Fig. 1.
- ⚠ N'installez pas la hotte aspirante au-dessus d'un appareil de cuisson à combustible solide – générateur d'un risque d'incendie (par projection d'étincelles p. ex.) – à moins que l'appareil ne soit muni **d'un couvercle fermé et inamovible**, et que le montage soit effectué dans le respect de la réglementation nationale.
- ⚠ Plus l'écart entre la hotte et les brûleurs est faible, plus les gouttelettes de condensation sont susceptibles de s'accumuler sur la face intérieure de la hotte.

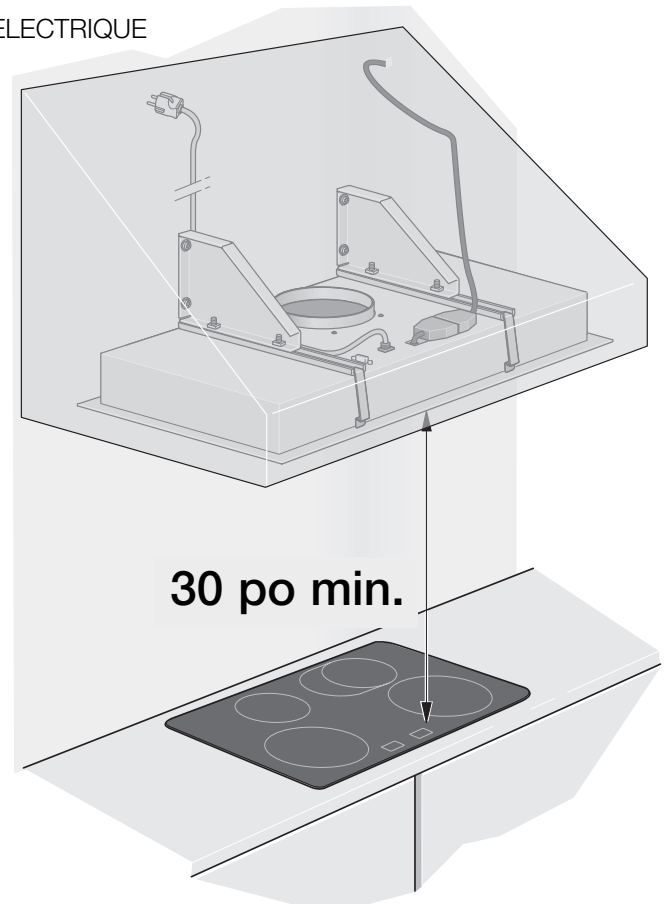
Fig. 1  
GAZ



## Renseignements supplémentaires sur la table de cuisson à gaz :

- ⚠ Lorsque vous installez des tables de cuisson, veillez à respecter la réglementation légale nationale pertinente.
- ⚠ Veillez à toujours respecter la réglementation en vigueur et la notice d'installation fournie par le fabricant de l'appareil à gaz.
- ⚠ Seul un côté de la hotte aspirante peut être installé près d'une unité ou d'un mur élevé. Laissez un espace d'au moins 2 po.
- ⚠ Distance minimale entre le bord supérieur des grilles des brûleurs à gaz et le bord inférieur de la hotte : **30 po**, Fig. 1.

ELECTRIQUE



# AVANT L'INSTALLATION

## MODE D'ÉVACUATION D'AIR :

L'air vicié doit être évacué vers le haut par un conduit d'aération ou directement à l'extérieur à travers le mur extérieur.

☞ L'air vicié ne doit jamais être acheminé vers un conduit de cheminée ou d'évacuation (cheminée) en service pour d'autres raisons, ni vers un conduit servant à l'aération de pièces dans lesquelles se trouvent également des fourneaux ou des cheminées.

**L'air vicié doit être évacué conformément à la réglementation officielle et légale seulement (p. ex. la réglementation nationale du bâtiment).**

Si l'air vicié doit être évacué par des conduits de cheminée ou d'évacuation qui ne sont pas en service, veuillez respecter la réglementation des autorités locales.

☞ Lorsque la hotte aspirante est utilisée en mode d'évacuation d'air simultanément avec un système de chauffage différent utilisant également la même cheminée, (tels des appareils de chauffage au gaz, au fuel ou au charbon, des chauffe-eau instantanés ou des chaudières à eau chaude), veuillez impérativement à ce que l'apport d'air frais nécessaire au système de chauffage soit suffisant pour assurer la combustion.

Un fonctionnement sans risque est possible si la pression négative dans la pièce où le système de chauffage est installé ne dépasse pas 4 Pa (0,04 mbar).

On y parvient si l'air de combustion peut circuler à travers des ouvertures non-obturables telles que portes et fenêtres, et transiter par la ventouse télescopique d'admission/d'évacuation d'air.

**AVERTISSEMENT – Évitez le risque d'intoxication – Si l'admission d'air est insuffisante, il existe un risque d'intoxication par les gaz de combustion refoulés dans la pièce.**

Remarque : lors de l'évaluation des exigences globales, il convient de tenir compte de l'ensemble des moyens d'aération du logement. Cette règle ne s'applique pas à l'utilisation des appareils de cuisson tels que les tables de cuisson et les fours.

Un fonctionnement sans entrave est possible si la hotte aspirante est utilisée en mode de recyclage d'air – au moyen de filtres au charbon actif.

**Si l'air vicié doit être évacué à l'extérieur**, une ventouse télescopique murale doit être installée dans le mur extérieur.

Pour un rendement optimal de la hotte :

- Système de gaines courtes et lisses
- Les gaines doivent comporter le moins de coudes possible.
- Le diamètre des gaines doit être aussi large que possible et celles-ci ne doivent pas former de coude trop important.

**Si vous utilisez un système de gaines d'évacuation d'air vicié long et rugueux, plusieurs coudes de gaine ou un système de gaines d'un diamètre très étroit, le taux d'extraction d'air ne sera plus à son niveau optimal et il résultera une augmentation du bruit.**

**IMPORTANT :** Le fabricant de la hotte décline toute responsabilité pour toute plainte pouvant être attribuée à la conception et à l'agencement du système de gaines.

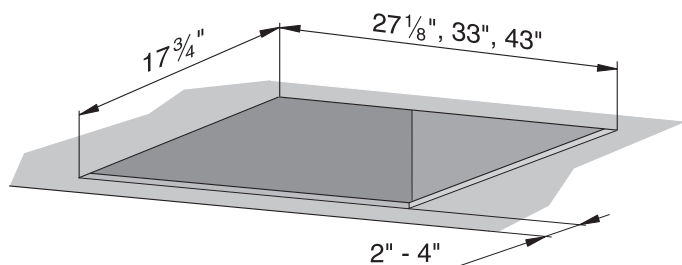
- Sections de conduits ronds :**  
Diamètre interne recommandé : 6 po/10 po.
- Les conduits plats** doivent présenter une section transversale interne égale à celle de la section des conduits ronds.  
Ø 6 po env., 28,3 pouces<sup>2</sup>
- Si les conduits ont des diamètres différents :**  
Appliquez le ruban d'étanchéité pour faire le raccordement.
- Dans le cas d'une utilisation en mode d'évacuation d'air** veuillez à ce que l'apport d'air frais soit suffisant.

# AVANT L'INSTALLATION

## Étape 1 : PRÉPARATION DE LA DÉCOUPE

- ❑ Le mur doit être plat et vertical.
- ❑ Assurez-vous que le mur puisse offrir un support solide aux vis et pièces d'ancrage nécessaires à l'installation.

Poids en kg : 24,5.

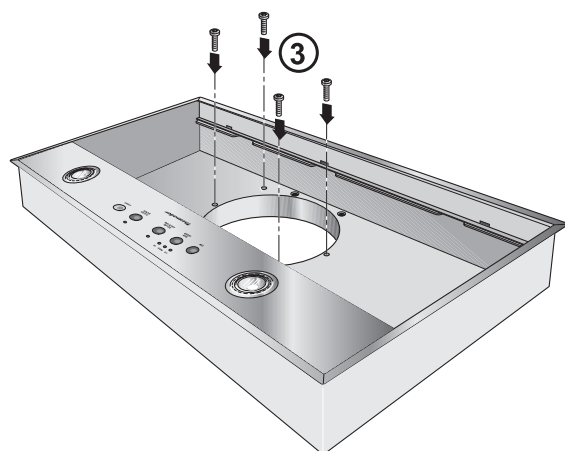
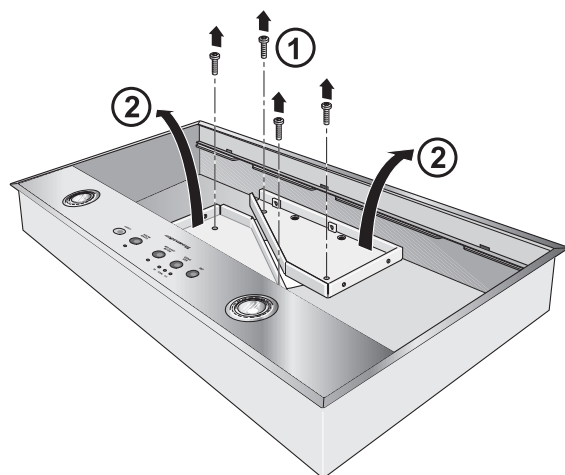


## Étape 2 : PRÉPARATION DE L'INSTALLATION

Il existe deux méthodes de montage :

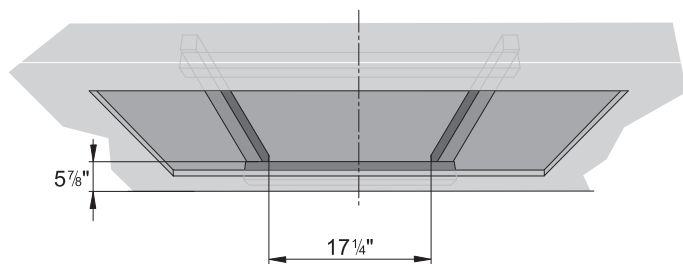
L'installation dans une charpente de bois **ou** l'installation au moyen des supports de fixation fournis.

- Retirez les supports de fixation en enlevant les vis.



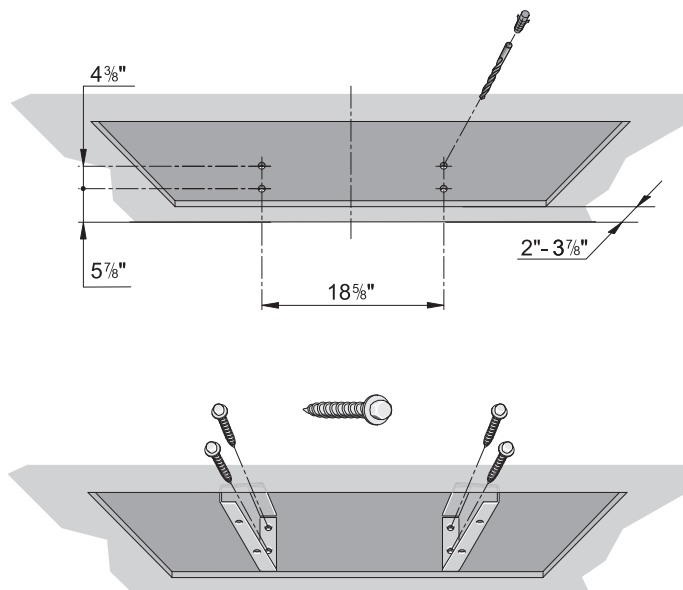
- Après avoir retiré les supports de fixation, les vis devront être remis en place.

## Préparation de la charpente en bois



## Préparation de l'installation avec des supports de fixation

4 trous de 1/4 po



## Étape 3 : RACCORDEMENT ÉLECTRIQUE

### **AVERTISSEMENT CET APPAREIL DOIT ÊTRE MIS À LA TERRE**

La hotte doit être raccordée uniquement à une prise électrique avec mise à la terre montée conformément à la réglementation pertinente.


Si possible, installez la prise de courant mise à la terre directement derrière le panneau de cheminée. Placez-la aussi près que possible de l'appareil et à un endroit facile d'accès.

- La prise de courant mise à la terre doit être raccordée à son propre circuit.
- Si la prise de courant mise à la terre n'est plus accessible après l'installation de la hotte aspirante, assurez-vous qu'un interrupteur électrique est installé à demeure afin de pouvoir éteindre l'appareil.

## INSTALLATION ÉLECTRIQUE

Consultez les codes du bâtiment locaux pour choisir la méthode d'installation qui convient le mieux. Aux États-Unis, s'il n'existe aucun code local applicable, cet appareil doit être installé conformément à l'édition en cours du Code national de l'électricité ANSI/NFPA N° 70. (Au Canada, l'installation doit être conforme aux codes d'installation CAN 1- B149.1 et .2 - codes d'installation pour appareils à gaz et/ou codes locaux).


L'appareil doit être mis à la terre. Dans l'éventualité d'un court circuit électrique, la mise à la terre réduit le risque de choc électrique en permettant au courant de s'échapper par un fil. Cet appareil comporte un cordon équipé d'un fil de terre et d'une fiche mise à la terre. La fiche doit être branchée dans une prise correctement installée et mise à la terre.

 **AVERTISSEMENT** – Une mise à la terre défectueuse peut entraîner un risque de choc électrique.

Si les instructions de mise à la terre ne sont pas parfaitement comprises, ou en cas de doute sur la mise à la terre correcte de l'appareil, consulter un électricien qualifié.


Ne pas utiliser de rallonge. Si le cordon d'alimentation est trop court, demander à un électricien qualifié d'installer une prise à proximité de l'appareil.

### **Si une installation à raccordement direct de la hotte aspirante est requise :**

 **AVERTISSEMENT** – Évitez le risque de choc électrique – Si le câble de branchement de cet appareil est endommagé, il devra être remplacé par le fabricant ou son service après-vente ou encore par une personne possédant des qualifications semblables afin d'éviter que l'utilisateur ne subisse des blessures graves.

## DONNÉES ÉLECTRIQUES :

Ces données se trouvent à l'intérieur de l'appareil sur la plaque d'identification (visible après retrait du cadre porte-filtre).

 **AVERTISSEMENT** – Évitez le risque de choc électrique – Avant toute intervention sur l'appareil, veillez à toujours débrancher la hotte aspirante de l'alimentation électrique.

### **Longueur du câble de raccordement : 55 po.**

Cette hotte aspirante satisfait la réglementation de l'UE sur la suppression des interférences sur les fréquences radioélectriques.



## Étape 4 : BRANCHEMENT DE L'APPAREIL

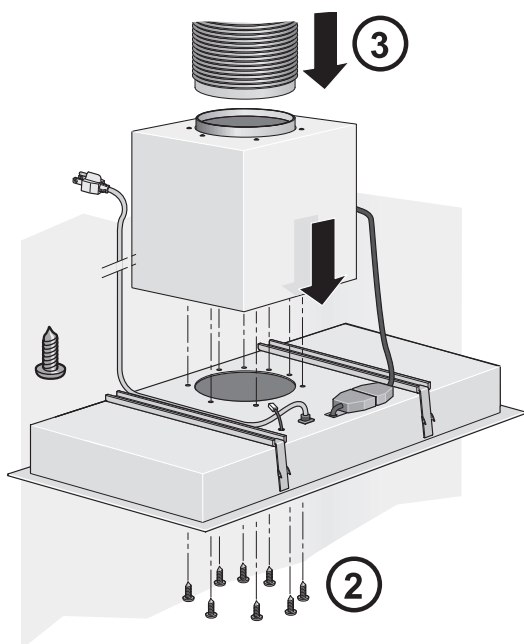
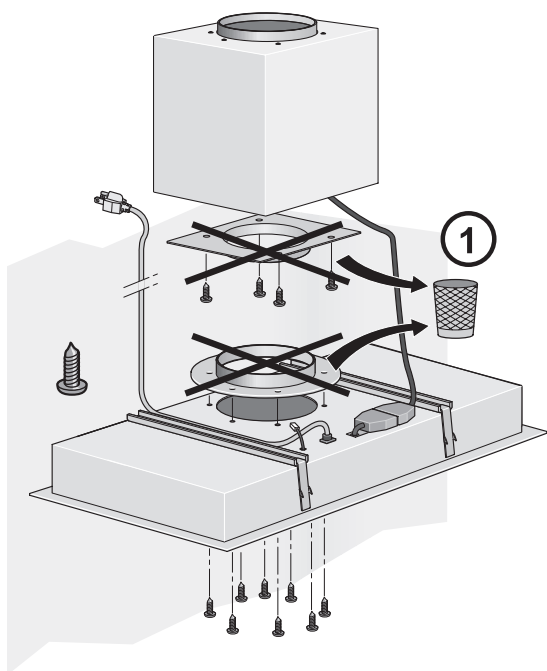
⚠ Il existe deux modes de fonctionnement :  
avec ventilateur monté sur bride **ou** avec ventilateur externe

### Mode de fonctionnement avec ventilateur monté sur bride

⚠ en association avec le modèle VTI 610 D uniquement.  
Retirez le système de gaines de l'ensemble du ventilateur.  
Retirez le système de gaines de la hotte.

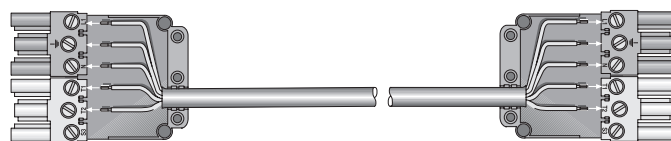
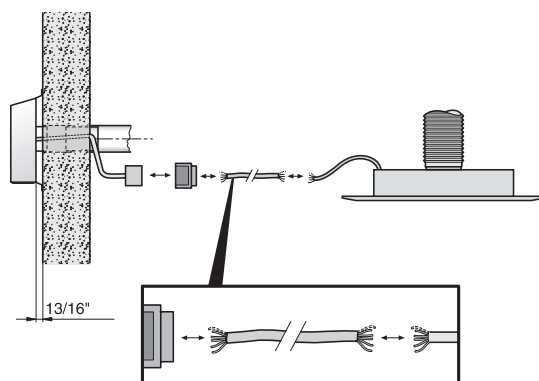
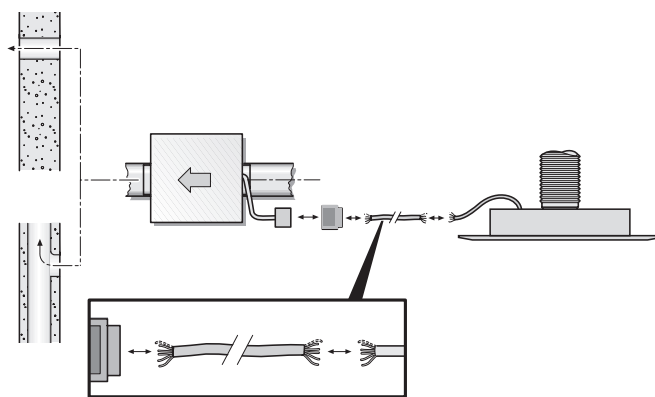
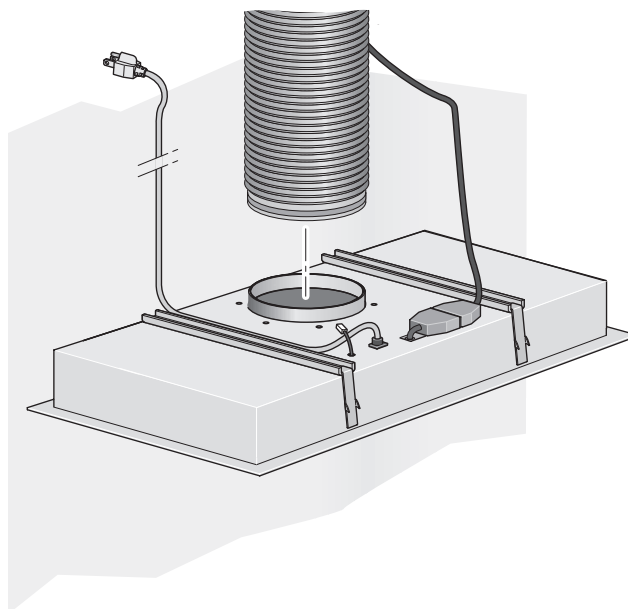
Conservez les vis !

Faites correspondre l'ouverture de la hotte aspirante avec l'ouverture d'admission du ventilateur. Montez le ventilateur en utilisant les trous initiaux et en replaçant les vis du système de gaines.



### Mode de fonctionnement avec ventilateur externe

en association avec les modèles VTI 610 D, VTI 1010 D, VTR 630 D, VTR 1030 D, VTR 1500 uniquement.



Si vous utilisez une télécommande câblée (VCI 2 REM), reportez-vous aux directives concernant la télécommande.

## Étape 5 : INSTALLATION

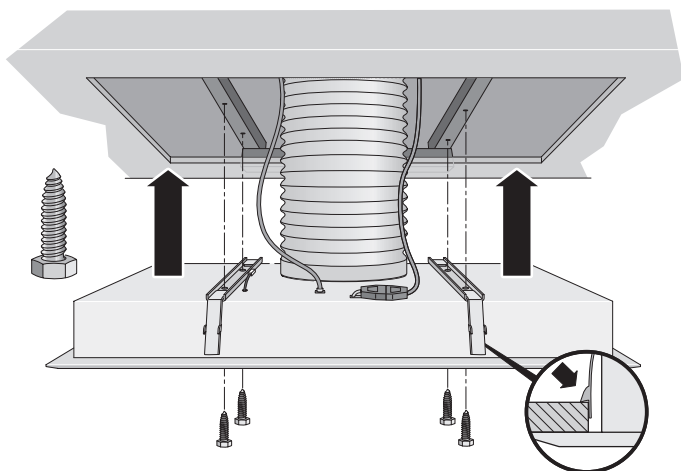
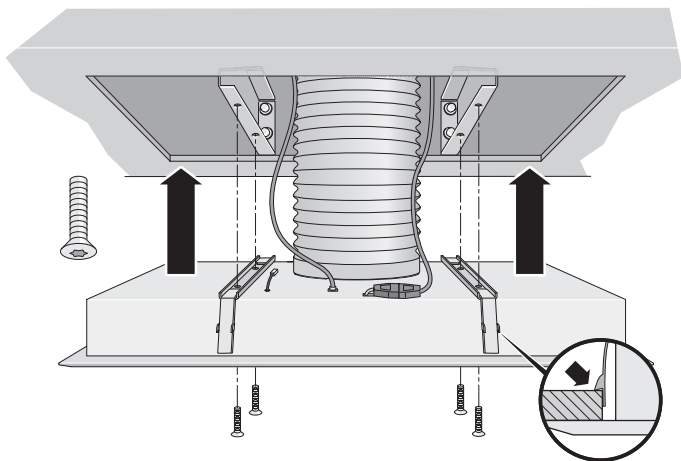
La hotte convient parfaitement à l'installation dans un conduit (cheminée).

Pour garantir un rendement d'évacuation optimal (particulièrement important pour les solutions d'îlots de cuisine) :

- ❑ Installez la hotte aussi haut que possible à l'intérieur de la structure.
- ❑ La structure doit recouvrir la totalité de la zone de cuisson.

**⚠ MISE EN GARDE** – Veillez à ce que la distance minimale entre la plaque de cuisson et la hotte soit conservée – 30 po

1. Assurez-vous que tous les raccordements (système de gaines, ventilateur, télécommande, alimentation) sont terminés.
2. Retirez la **grille du filtre** (voir la notice d'utilisation)
3. Poussez la **hotte** vers le haut dans l'ouverture de montage jusqu'à ce que l'accessoire de montage se bloque en position verrouillée à l'avant et à l'arrière.
4. Installez la **hotte**. Remarque : les vis doivent être systématiquement et diamétralement serrées.  
Remarque : si la hotte doit être retirée, déverrouillez les accessoires de montage en les poussant vers l'intérieur.



## Étape 6 : VÉRIFIEZ L'INSTALLATION, LE FONCTIONNEMENT ET L'ALIGNEMENT DE LA PLAQUE DE CUISSON

Avant d'effectuer cette procédure, vérifiez que toutes les matières d'emballage ont été retirées et que les filtres à graisse sont correctement mis en place. Reportez-vous au manuel d'utilisation et d'entretien concernant l'installation du filtre.

- A. Allumez le ventilateur (ON) en sélectionnant tour à tour chacune des trois vitesses. Laissez le ventilateur tourner à chaque vitesse pendant plusieurs minutes pour en vérifier le fonctionnement.
- B. La soufflerie en position élevée (HIGH), fermez fenêtres et portes pour s'assurer que le ventilateur ne cause pas de refoulement dans un évent de sortie d'un autre appareil.
- C. Allumez et éteignez la lumière.
- D. Appuyez sur la touche DELAY SHUT-OFF (Arrêt temporisé). Patientez 10 minutes pour voir si la hotte s'éteint.

Si après avoir terminé les procédures ci-dessus, le système de ventilation ne fonctionne pas convenablement, passez en revue les étapes de cette notice d'installation pour vérifier que rien n'a été omis. Reportez-vous également au Manuel d'utilisation et d'entretien pour obtenir des informations supplémentaires ou appelez le Service après-vente de Thermador au +1-800-735-4328.

# INSTRUCCIONES DE SEGURIDAD IMPORTANTES

LEA TODAS LAS INSTRUCCIONES ANTES DE USAR EL ELECTRODOMÉSTICO.  
LEA Y CONSERVE ESTAS INSTRUCCIONES.

## ADVERTENCIA

PARA REDUCIR EL RIESGO DE INCENDIO, DESCARGA ELÉCTRICA O LESIONES A PERSONAS, SIGA ESTAS INDICACIONES:

- A. El trabajo de instalación y el cableado eléctrico deben ser realizados por persona(s) calificada(s) de conformidad con todos los códigos y normas aplicables, incluidos los de construcción con relación a incendios.
- B. Se requiere aire suficiente para la correcta combustión y extracción de los gases a través del tubo de humo (chimenea) del equipo quemador de combustible para prevenir el contratiro. Siga las pautas del fabricante del equipo de calefacción y las normas de seguridad, como las publicadas por la Asociación Nacional de Protección contra Incendios (National Fire Protection Association, NFPA), la Sociedad Americana de Ingenieros en Calefacción, Refrigeración y Aire Acondicionado (American Society for Heating, Refrigeration and Air Conditioning Engineers, ASHRAE) y las autoridades de códigos locales.
- C. Al cortar o perforar paredes o techos, tenga cuidado de no dañar el cableado eléctrico ni las instalaciones ocultas de los demás servicios.
- D. Los ventiladores con conducto siempre deben tener salida a la intemperie.
- E. Siempre desenchufe o desconecte el electrodoméstico de la fuente de alimentación eléctrica antes de realizar el servicio técnico.
- F. Esta unidad está diseñada sólo para uso en interiores. Utilice esta unidad sólo de la manera prevista por el fabricante.

## ADVERTENCIA

Precaución: Solamente para uso general de ventilación. No use la campana para extraer materiales y vapores peligrosos o explosivos.

Para reducir el riesgo de incendio y para hacer que el aire salga al exterior correctamente, asegúrese de que un conducto lo dirija hasta afuera. No dirija el aire de salida hacia espacios dentro de paredes, techos, áticos, huecos sanitarios o garajes.

PARA REDUCIR EL RIESGO DE INCENDIO, SÓLO UTILICE CONDUCTOS DE METAL.

Para reducir el riesgo de incendio o descarga eléctrica, no use el ventilador con ningún dispositivo de control de velocidad de estado sólido.

Se ha determinado que este electrodoméstico cumple con la norma UL507 sobre ventiladores eléctricos y la norma canadiense CAN/CSA-22.2 N.º 113 sobre ventiladores. Es responsabilidad del propietario y el instalador determinar si se aplican otros requisitos o normas en instalaciones específicas.

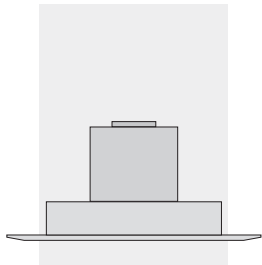
Esta unidad está fabricada sólo para uso en interiores. No use esta unidad a la intemperie.

## Herramientas necesarias

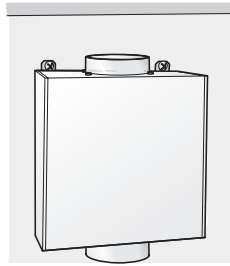
- Cinta métrica
- Destornillador Phillips
- Cinta para ductos
- Conducto (la configuración varía según el lugar)
- Tornillos autorroscantes adicionales (la cantidad necesaria para la instalación del conducto)

## Piezas incluidas

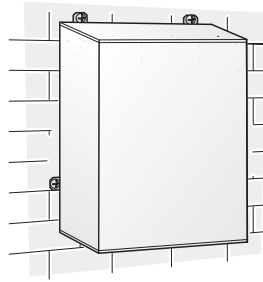
- Conjunto del electrodoméstico (1)
- Tornillos para madera (4)
- Tornillos métricos M5x45 (4)
- Elementos de sujeción para soportes de montaje (2)
- Tacos UX6 (4)



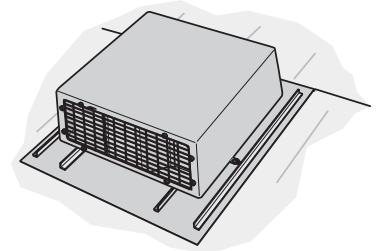
VTI 610 D



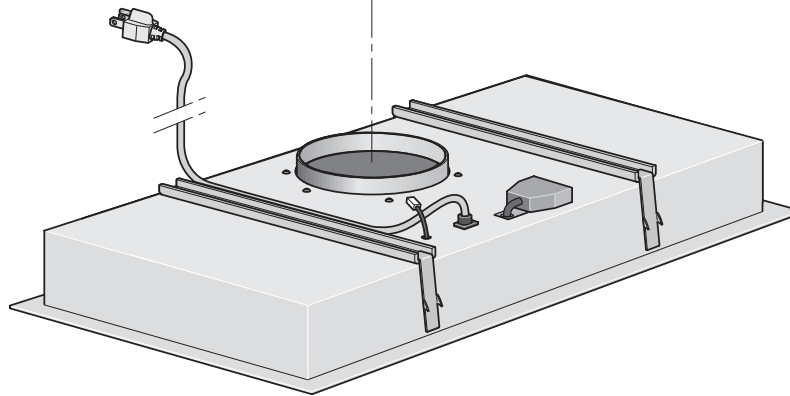
VTI 610 D  
VTI 1010 D



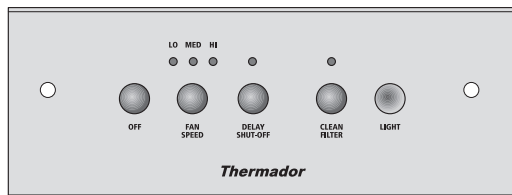
VTR 630 D  
VTR 1030 D  
VTR 1500  
VTR 1330 E



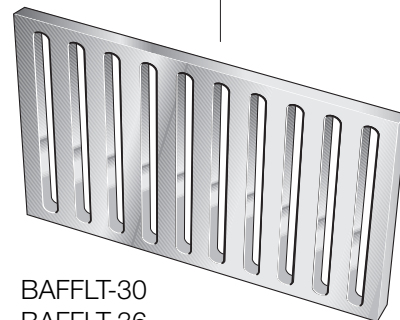
VTR 1500  
(+ accesorios)



## Accesorios



Control remoto con cable VCI 2 REM

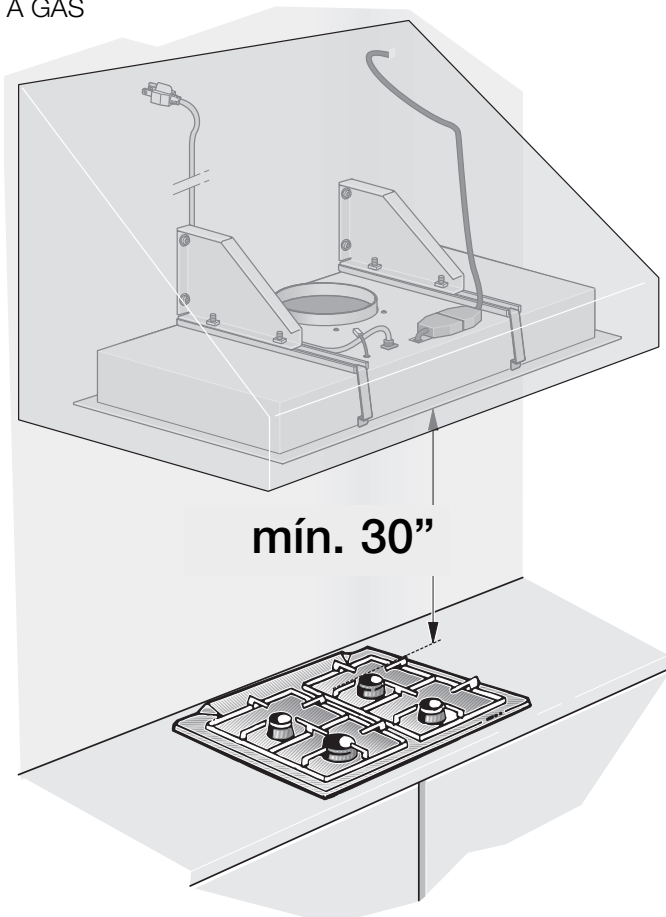


BAFFLT-30  
BAFFLT-36  
BAFFLT-48

# INFORMACIÓN IMPORTANTE:

- ⚠ Los electrodomésticos viejos no son basura sin valor. Las valiosas materias primas pueden recuperarse mediante el reciclado de electrodomésticos viejos. Antes de desechar su electrodoméstico viejo, haga que sea inutilizable.
- ⚠ Usted recibió su electrodoméstico nuevo en una caja de envío protectora. Todos los materiales de embalaje son ecológicos y reciclables. Ayude a lograr un mejor medioambiente desechando los materiales de embalaje de manera ecológica.
- ⚠ La campana sólo puede utilizarse en el modo de aire de salida.
- ⚠ Siempre instale la campana sobre el centro de la placa.
- ⚠ Distancia mínima entre la placa eléctrica y el borde inferior de la campana: **30"**, Fig. 1.
- ⚠ La campana extractora no debe instarse sobre una estufa a combustible sólido –se puede producir un riesgo de incendio (p. ej., que se desprendan chispas)–, a menos que la estufa tenga una **tapa cerrada que no se pueda retirar** y que se cumplan todas las reglamentaciones nacionales.
- ⚠ Cuanto más pequeño es el espacio entre la campana y las hornillas, mayor es la probabilidad de que se formen gotas en la parte inferior de la campana.

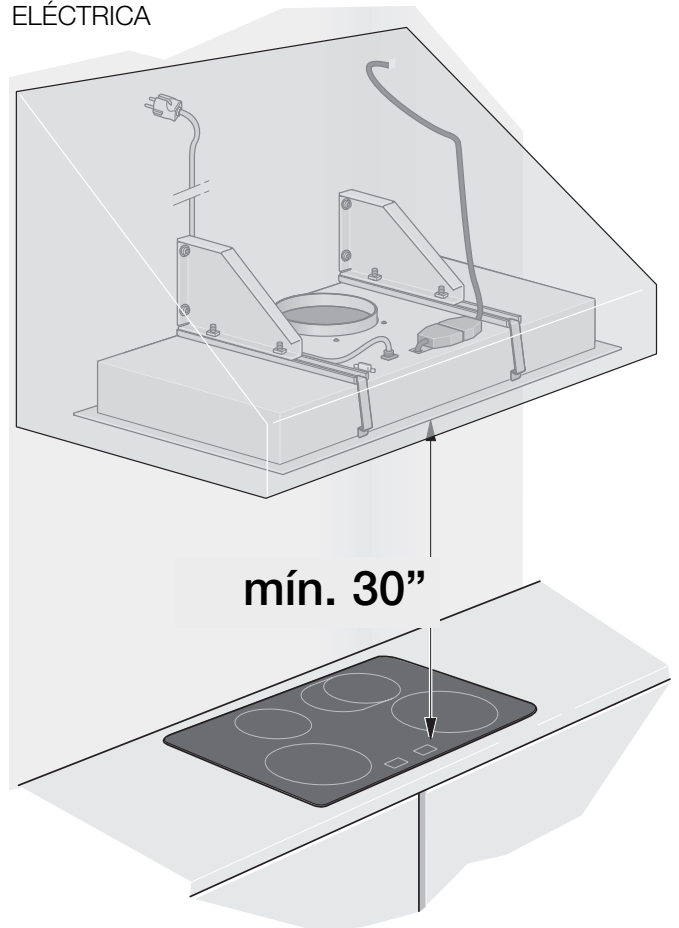
Fig. 1  
A GAS



## Información adicional sobre placas:

- ⚠ Al instalar placas a gas, cumpla con las reglamentaciones legales nacionales pertinentes.
- ⚠ Siempre cumpla con las reglamentaciones válidas vigentes y las instrucciones de instalación provistas por el fabricante del electrodoméstico a gas.
- ⚠ Sólo un lado de la campana puede instalarse junto a una unidad de costado alto o a una pared alta. Deje un espacio de al menos 2".
- ⚠ Distancia mínima entre el borde superior de las rejillas de las hornillas a gas y el borde inferior de la campana: **30"**, Fig. 1.

ELÉCTRICA



# ANTES DE LA INSTALACIÓN

## MODO DE AIRE DE SALIDA

El aire de salida debe ser liberado hacia arriba a través de un conducto o directamente a través de una pared externa a la intemperie.

☞ El aire de salida no debe ser dirigido a un tubo de humo ni de salida (chimenea) que actualmente se utilice para otros fines, ni a un conducto que se utilice para ventilar habitaciones en las cuales también se encuentran estufas o chimeneas.

**El aire de salida puede liberarse sólo respetando las reglamentaciones oficiales y legales (p. ej., reglamentaciones nacionales sobre construcción).**

Se deben cumplir las reglamentaciones gubernamentales locales al liberar el aire en tubos de humo o de salida que no se utilicen para otros fines.

☞ Cuando se utiliza la campana extractora en el modo de aire de salida simultáneamente con un sistema de calentamiento diferente que también utiliza la misma chimenea (como calentadores a gas, aceite o carbón, calentadores de flujo continuo, calentadores de agua), se debe asegurar **que haya un suministro de aire fresco suficiente**, que será necesario para la combustión en el sistema de calentamiento.

La operación segura es posible siempre que la subpresión de la habitación donde está instalado el sistema de calentamiento no supere los 4 Pa (0.04 mbar).

Esto es posible si el aire de combustión puede circular a través de aberturas que no puedan trabarse, como ser puertas y ventanas, y a través de cajas de entrada/salida de aire en la pared.

**ADVERTENCIA: Evite el riesgo de intoxicación. Si la entrada de aire es insuficiente, existe un riesgo de intoxicación con los gases de la combustión que vuelven a ingresar a la habitación.**

Nota: Al evaluar los requisitos totales, se debe tener en cuenta el sistema de ventilación combinado para todo el hogar. Esta norma no se aplica al uso de electrodomésticos de cocina, como placas y hornos.

La operación sin restricciones es posible si la campana extractora se utiliza en modo de recirculación, con filtros de carbón activado.

**Si el aire de salida será liberado a la intemperie**, se debe colocar una caja de pared telescópica en la pared externa.

# ANTES DE LA INSTALACIÓN

Para obtener la máxima eficiencia de la campana:

- Conducto corto, liso.
- La menor cantidad posible de codos en el conducto.
- El diámetro del conducto debe ser lo más grande posible y no debe tener codos cerrados.

**Si se utiliza un conducto de aire de salida largo e irregular, hay varios codos en el conducto o el diámetro del conducto es más pequeño, el caudal de extracción de aire ya no será el máximo, y el ruido aumentará.**

**IMPORTANTE: El fabricante de la campana no asume responsabilidad alguna por las reclamaciones que puedan atribuirse al diseño y a la distribución del conducto.**

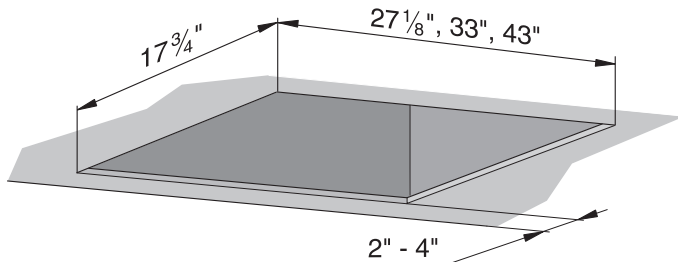
- Secciones de los conductos circulares:**  
Diámetro interno recomendado: 6"/10".
- Los conductos planos** deben tener una sección transversal interna que sea igual a la de las secciones de los conductos circulares.  $\phi$  6" aprox. 28.3 pulgadas<sup>2</sup>
- Si los conductos tienen diámetros diferentes:**  
Coloque la tira selladora para la transición.
- Para el modo de aire de salida**, asegúrese de que haya un suministro de aire fresco suficiente.

# ANTES DE LA INSTALACIÓN

## Paso 1: PREPARACIÓN DEL HUECO

- ❑ La pared debe ser plana y vertical.
- ❑ Verifique que la pared pueda sujetar firmemente los tornillos y tacos de montaje.

Peso en kg: 24,5.

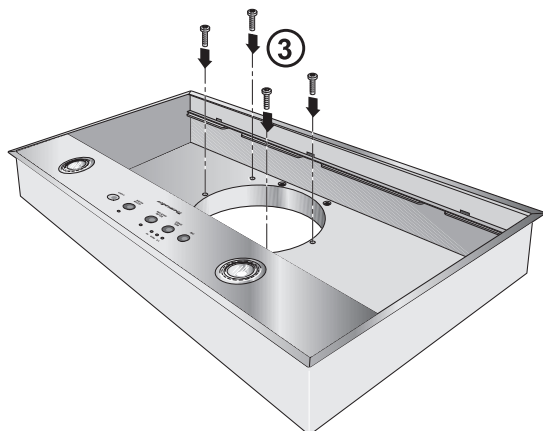
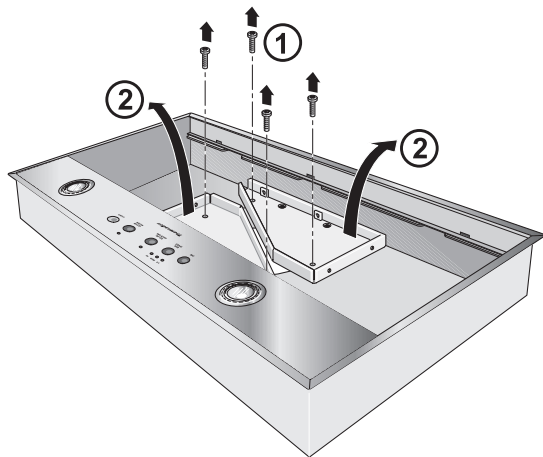


## Paso 2: PREPARACIÓN DE LA INSTALACIÓN

Hay dos métodos de montaje:

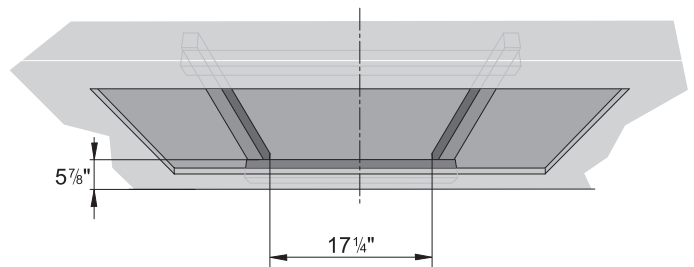
- o instalación en estructura de madera
- o instalación con los soportes de montaje provistos.

– Extraiga los soportes de montaje retirando los tornillos



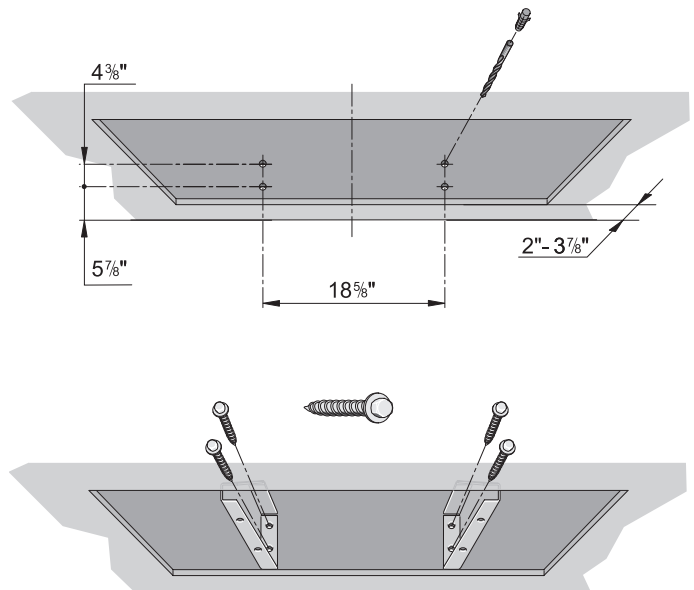
– Después de extraer los soportes de montaje, se deben volver a introducir los tornillos.

## Preparación de la estructura de madera



## Preparación de la instalación con soportes de montaje

4 agujeros de 1/4"



## Paso 3: CONEXIÓN ELÉCTRICA

### **ADVERTENCIA: ESTE ELECTRODOMÉSTICO DEBE ESTAR CONECTADO A TIERRA.**

La campana sólo debe conectarse a una toma de corriente con conexión a tierra que haya sido instalada conforme a las reglamentaciones pertinentes.

Si es posible, ubique la toma de corriente con conexión a tierra directamente detrás de los paneles de la chimenea. Coloque la toma de corriente con conexión a tierra tan cerca del electrodoméstico como sea posible y en un lugar accesible.

- La toma de corriente con conexión a tierra debe conectarse a su propio circuito.
- Si la toma de corriente con conexión a tierra no se encuentra accesible después de la instalación de la campana extractora, asegúrese de que haya un interruptor eléctrico instalado en forma permanente para apagar el electrodoméstico.

## INSTALACIÓN ELÉCTRICA

Consulte el método de instalación adecuado en sus códigos de construcción locales. En los EE. UU., si no hubiera códigos locales aplicables, esta unidad debe instalarse conforme al Código Eléctrico Nacional ANSI/NFPA N.º 70, edición actual. (En Canadá, la instalación debe realizarse de conformidad con los CAN 1- B149.1 y .2 – Códigos de Instalación para Electrodomésticos de Combustión a Gas y/o los códigos locales).


El electrodoméstico debe estar conectado a tierra. En caso de un cortocircuito eléctrico, la conexión a tierra reduce el riesgo de descarga eléctrica proporcionando un cable para el escape de la corriente eléctrica. Este electrodoméstico viene con un cable con un hilo de conexión a tierra y un enchufe para conexión a tierra. El enchufe debe colocarse en una toma de corriente que esté correctamente instalada y conectada a tierra.

 **ADVERTENCIA:** La incorrecta conexión a tierra puede causar una descarga eléctrica.

Consulte a un electricista calificado si no comprende la totalidad de las instrucciones de conexión a tierra o si tiene alguna duda respecto de si el electrodoméstico está correctamente conectado a tierra.


No use un cable de extensión. Si el cable de alimentación eléctrica es demasiado corto, solicite a un electricista calificado que instale una toma de corriente cerca del electrodoméstico.

### **Si fuera necesario cablear la campana extractora directamente:**

 **ADVERTENCIA:** Evite el riesgo de descarga eléctrica. Si el cable de conexión de este electrodoméstico está dañado, debe ser reemplazado por el fabricante o su centro de servicio al cliente, o una persona que esté igualmente calificada, para prevenir lesiones graves al usuario.

## DATOS SOBRE ELECTRICIDAD:

Los datos se encuentran en la placa de nombre dentro del electrodoméstico después de retirar el marco del filtro.

 **ADVERTENCIA:** Evite el riesgo de descarga eléctrica. Antes de realizar una reparación, siempre desenchufe la campana extractora de la fuente de alimentación eléctrica.

### **Longitud del cable de conexión: 55”.**

Esta campana extractora cumple con las reglamentaciones de la CE con respecto a la supresión de interferencia de RF.



## Paso 4: CONEXIÓN DE LA UNIDAD

⚠ Hay dos modos de operación:

- con soplador montado en brida ○
- con soplador externo

### Modo de operación con soplador montado en brida

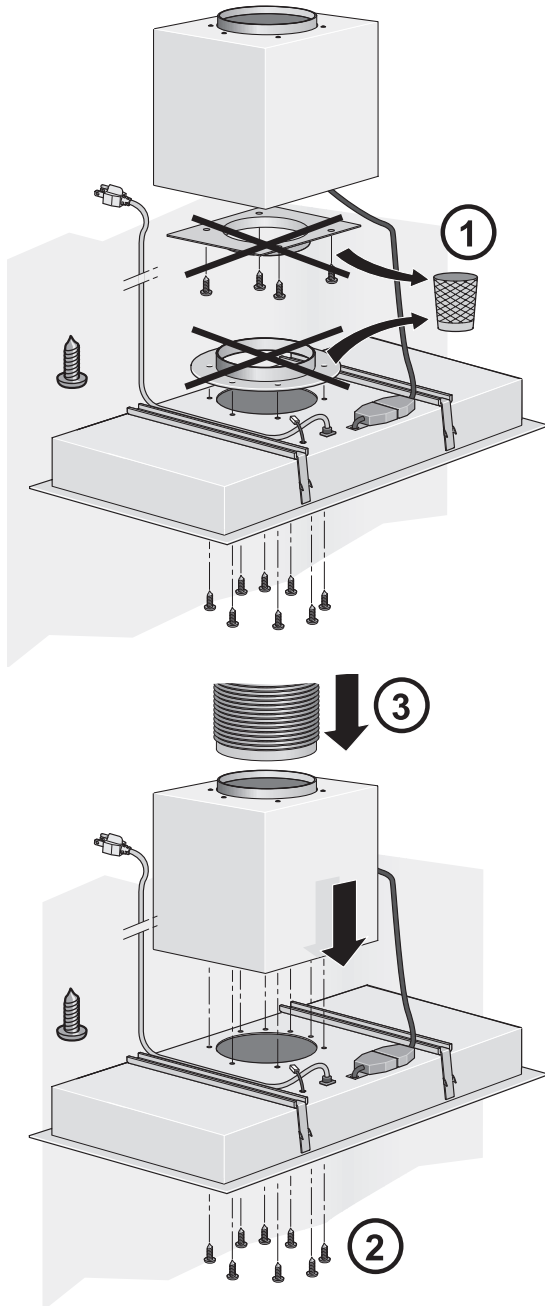
⚠ en combinación con el modelo VTI 610 D únicamente.

Retire el conducto del conjunto del soplador.

Retire el conducto de la campana.

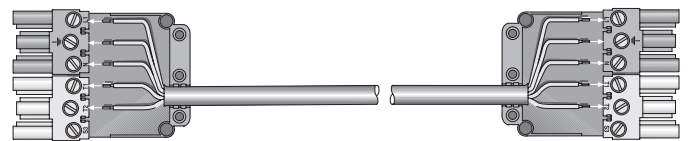
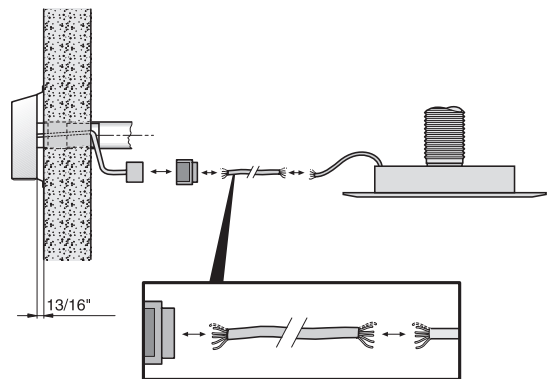
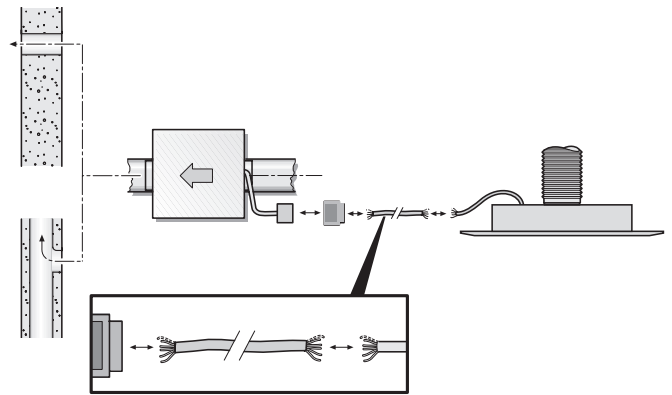
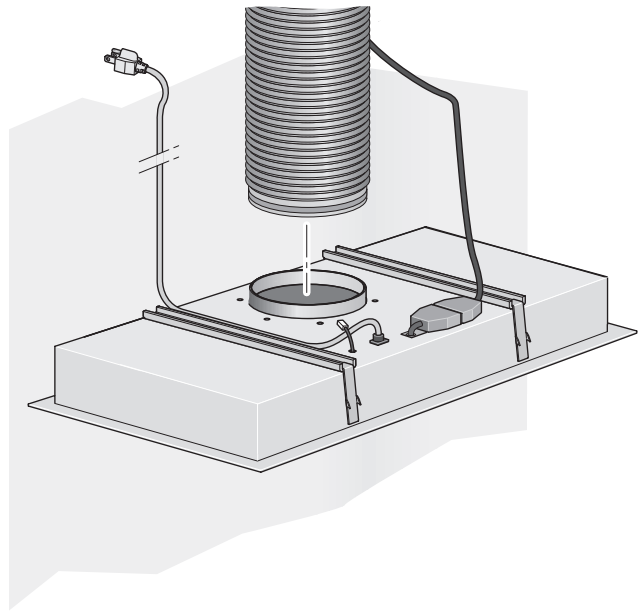
¡Conservar los tornillos!

Haga coincidir la abertura de salida de aire de la campana con la abertura de entrada de aire del soplador. Instale el soplador usando los agujeros iniciales y volviendo a introducir los tornillos del conducto.



### Modo de operación con soplador externo

en combinación con los modelos VTI 610 D, VTI 1010 D, VTR 630 D, VTR 1030 D y VTR 1500 únicamente.



Si se utiliza un control remoto con cable (VCI 2 REM), consulte las instrucciones del control remoto.

## Paso 5: INSTALACIÓN

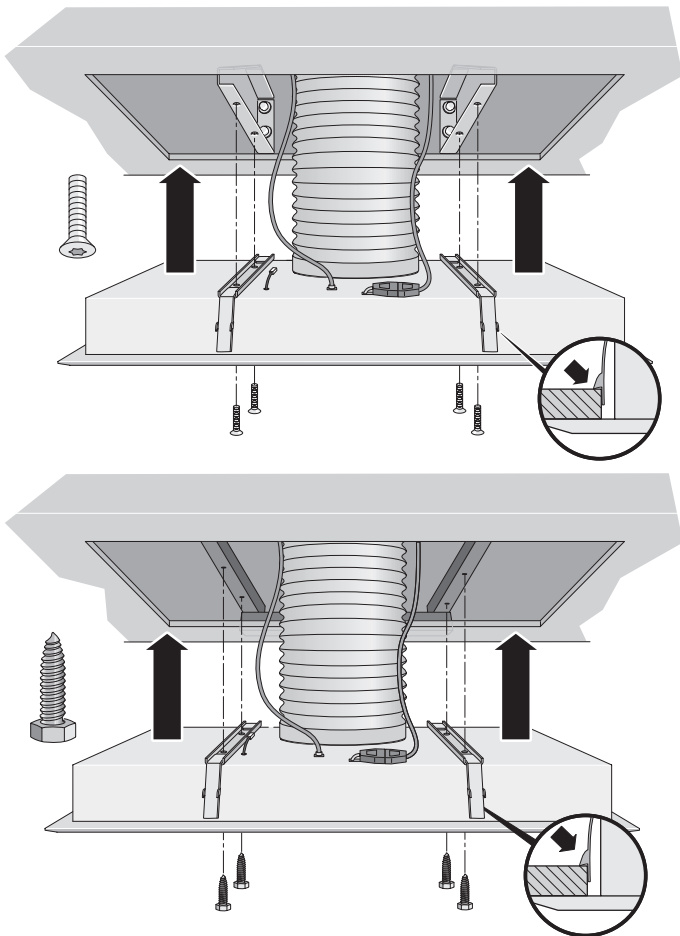
La campana es especialmente apta para ser instalada en un tubo de humo o una chimenea.

Para obtener un óptimo rendimiento de la extracción (especialmente importante para soluciones de islas de cocina):

- ❑ Instale la campana lo más alto posible dentro de la estructura
- ❑ La estructura debe cubrir toda el área para cocinar.

**⚠ PRECAUCIÓN:** Asegúrese de que la distancia mínima entre la placa y la campana se mantenga en 30”.

1. Asegúrese de que todas las conexiones (conducto, soplador, control remoto, fuente de alimentación eléctrica) estén completas.
2. Retire la **rejilla de filtro** (consulte las instrucciones de operación).
3. Empuje la **campana** hacia arriba en la abertura de instalación hasta que el elemento de ayuda para la instalación quede trabado en su lugar en la parte delantera y la parte trasera.
4. Instale la **campana**. Nota: Los tornillos deben ajustarse de manera pareja y diametralmente.  
Nota: Si se debe retirar la campana, destrabe los elementos de ayuda para el montaje empujándolos hacia adentro.



## Paso 6: VERIFIQUE LA INSTALACIÓN, LA OPERACIÓN Y LA ALINEACIÓN CON LA PLACA

Antes de realizar este procedimiento, verifique que todos los materiales de embalaje hayan sido retirados y que los filtros de grasa estén correctamente instalados. Consulte las instrucciones sobre la instalación de los filtros en el Manual de uso y cuidado.

- A. Encienda el soplador seleccionando una de las tres velocidades por vez. Deje que el soplador funcione durante varios minutos en cada una de las velocidades para verificar su funcionamiento.
- B. Cuando utilice el soplador en el valor HIGH (ALTO), cierre las ventanas y las puertas del área para asegurarse de que el ventilador no genere un contratiempo en la ventilación de salida de ningún otro electrodoméstico.
- C. Encienda y apague la luz.
- D. Presione el botón DELAY SHUT-OFF (APAGADO CON DEMORA). Espere 10 minutos para ver si la campana se apaga.

Si el sistema de ventilación no funciona correctamente durante cualquiera de los procedimientos mencionados, revise todos los pasos de la sección instrucciones de instalación para asegurarse de no haber omitido ni pasado por alto ningún paso. Además, consulte información adicional en el Manual de Uso y Cuidado o llame a Atención al Cliente de Thermador al 1-800-735-4328.



**Thermador**<sup>®</sup> | *An American Icon*<sup>™</sup>

5551 McFadden Avenue, Huntington Beach CA, 92649 • 800-735-4328 • [www.thermador.com](http://www.thermador.com)  
9000201952 • 10013 RevB • 04/07 © BSH Home Appliances Corporation • Litho in U.S.A.