

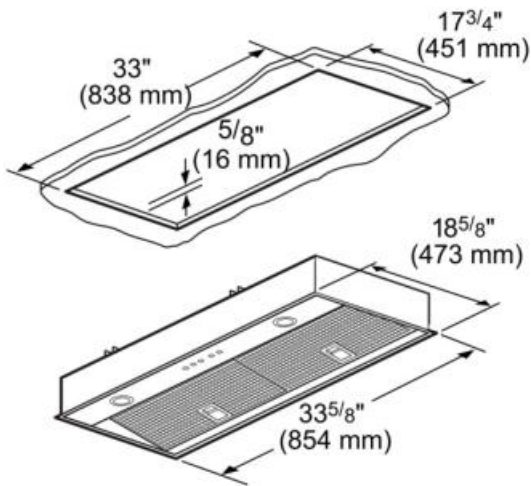


### **Performance**

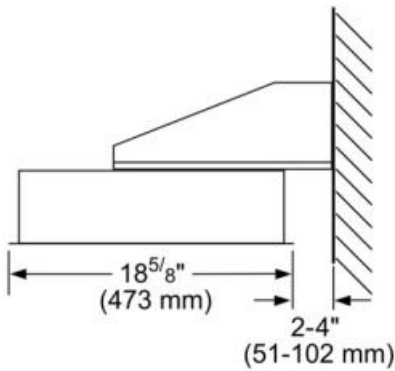
- Suitable for wall or island applications
- Three fan speeds
- Delayed shut off tackles lingering odors for up to 10 minutes
- Built-in 'Clean Filter' reminder light illuminates after 40 hours of operation
- Dishwasher safe aluminum mesh filters
- Filter systems are highly efficient at capturing grease
- Deep capture area allows for efficient capture of smoke and steam
- Powerfully quiet ventilation systems
- 10" Round duct size
- Vertical ducting direction
- Blowers sold separately
- Choose from Inline, Remote or Integrated Blowers
- Accessories include: Liner, Remote Control and Stainless Steel Baffle Filters

### **Design**

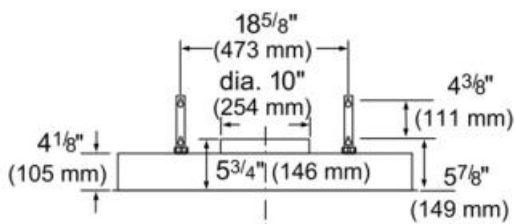
- Halogen lighting spotlights your best recipes
- Stainless steel button controls



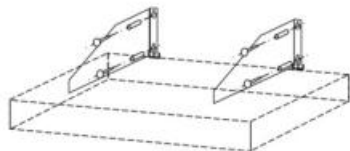
measurements in inches and mm



measurements in inches and mm



measurements in inches and mm



Frequency (Hz)	60
Approval certificates	ETL, UL
Plug type	120V-3 prong
Net weight (lbs)	27
Gross weight (lbs)	30
Required distance above range/rangetop/cooktop	30"/30"
Diameter of air duct (in) top	10
Operating mode	Ducted
Delay shut off modes	10
Optional accessories	BAFFLT36, LINER36, RFPLT1000, RFPLT600, VCI2REMFS
Number of lights	2
Type of lamps used	Halogen
Total power of the lamps (W)	40
Grease filter material	aluminium
Grease filter type	Multilayer cassette
Clean filter reminders	Electronic