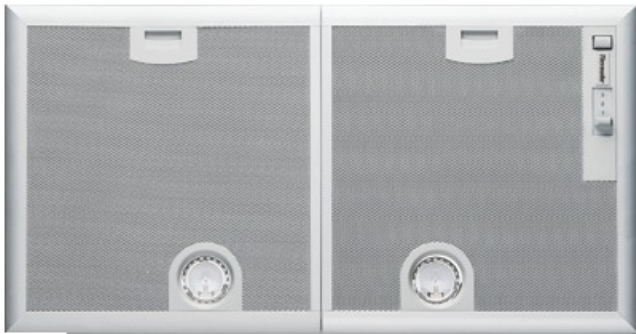


# 29" Masterpiece Series Custom Insert VCI29CS



## VCI29CS Silver metallic

### Performance

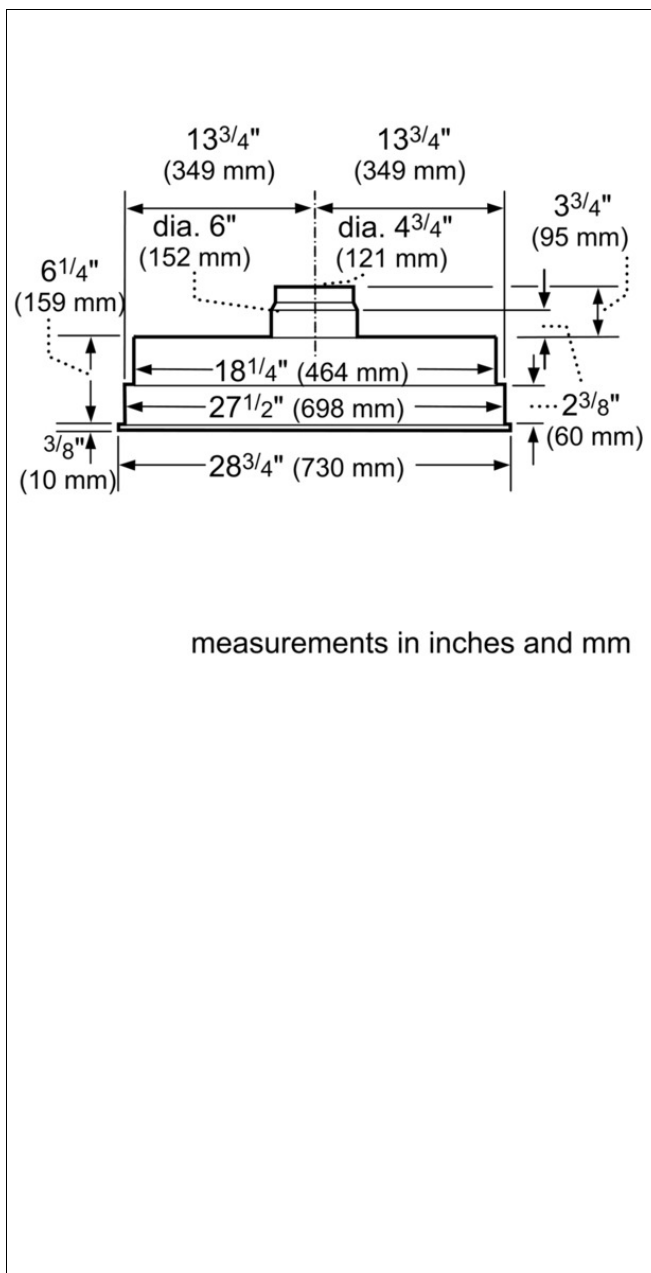
- Three fan speeds plus 10 minute high-power operation mode
- Filter systems are highly efficient at capturing grease
- Powerfully quiet ventilation systems

### Design

- Suitable for wall or island applications
- Slide control for easy power adjustments
- 400 CFM Integrated Blower included
- 6" Round duct size
- Vertical ducting direction
- Halogen lighting spotlights your best recipes
- Dishwasher safe aluminum mesh filters
- Hood includes filters, backdraft damper and transition
- All-in-one solution with an integral blower included

825225844655

# 29" Masterpiece Series Custom Insert VCI29CS



## Product Features

Operating Mode: Ducted  
Number of speed settings: 3-stage  
Number of lights: 2  
Type of lamps used: Halogen  
Total power of the lamps (W): 40  
Grease filter material: aluminium  
Grease filter type: Multilayer cassette

## Consumption and connection features

UPC code: 825225844655  
Material: Alu  
Watts (W): 40  
Current (A):  
Volts (V): 120  
Frequency (Hz): 60  
Approval certificates: CSA, UL  
Power cord length (in):  
Power cord length (cm): 150.0  
Plug type: 120V-3 prong  
Overall appliance dimensions (HxWxD) (in): 10" / 10" x 28 11/16" x 15"  
Overall appliance dimensions (HxWxD) (mm): 255 x 730 x 380  
Product packaging dimensions (HxWxD) (in): 11.41 x 31.10 x 17.32  
Adjustable feet:  
Height of the chimney (in):  
Height of the chimney (mm):  
Vertical rise height:  
Required distance above cooktop/ranges: 30"/30"  
Net weight (lbs): 23  
Net weight (kg): 10.000  
Gross weight (lbs): 26  
Gross weight (kg): 12.000  
Motor location:  
Maximum CFM: 440  
Diameter of air duct (in) top: 6  
Diameter of air duct (in) back:  
Discharge direction: vertical  
No-return airflow flap: No

2013-07-12