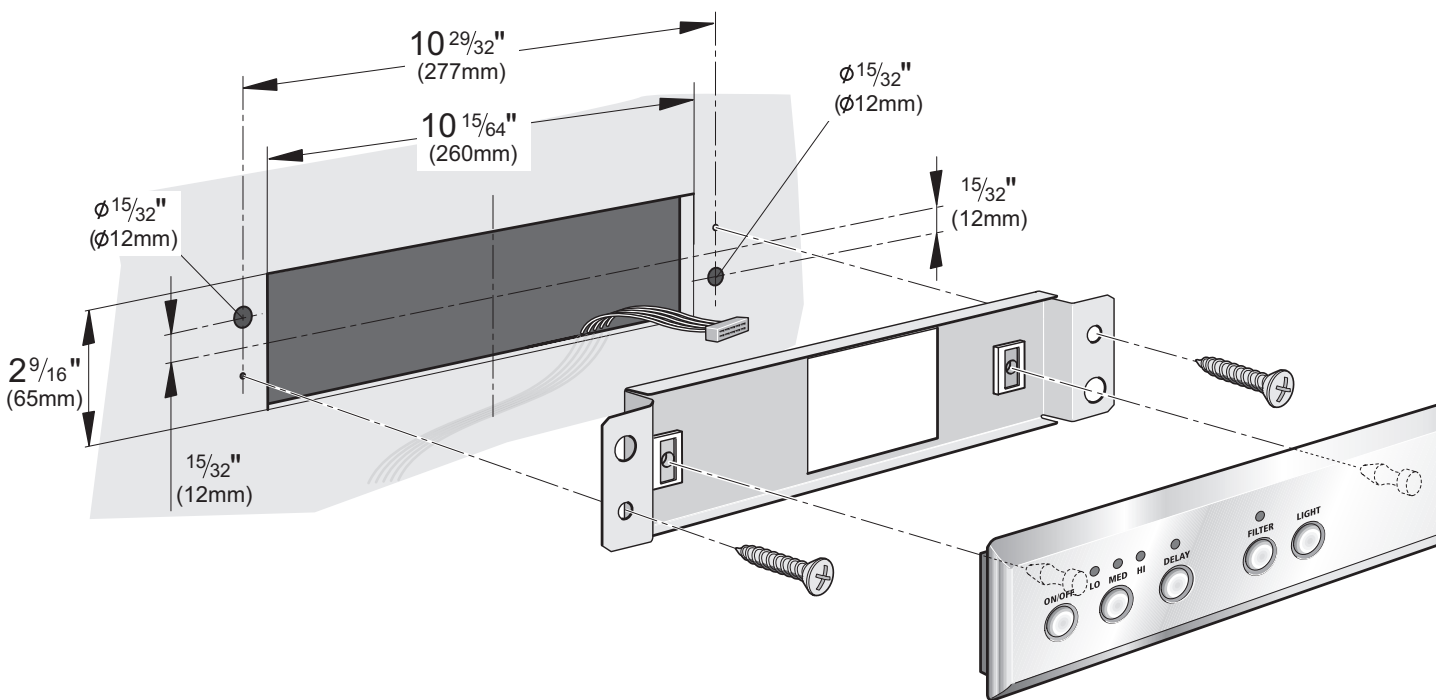


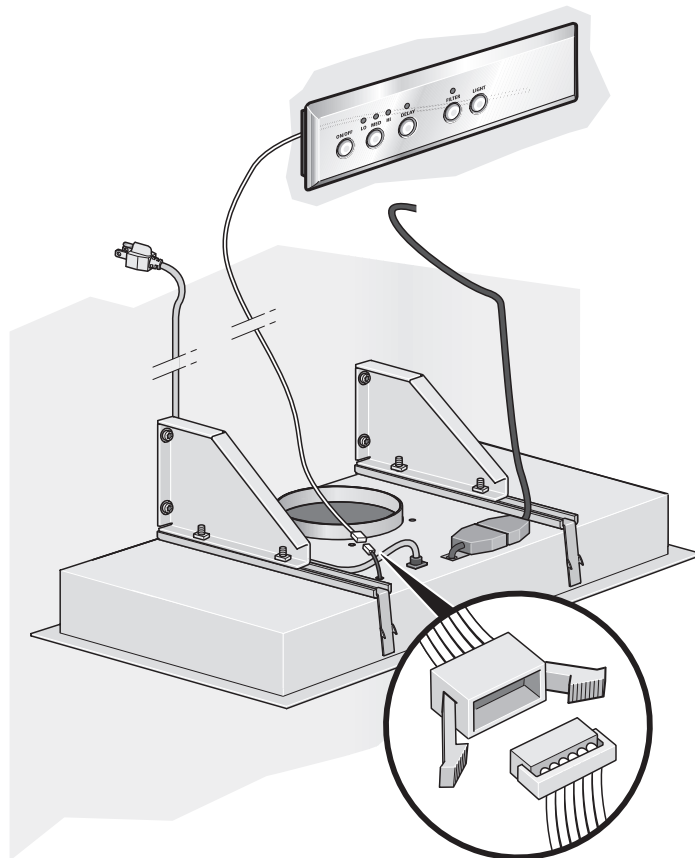
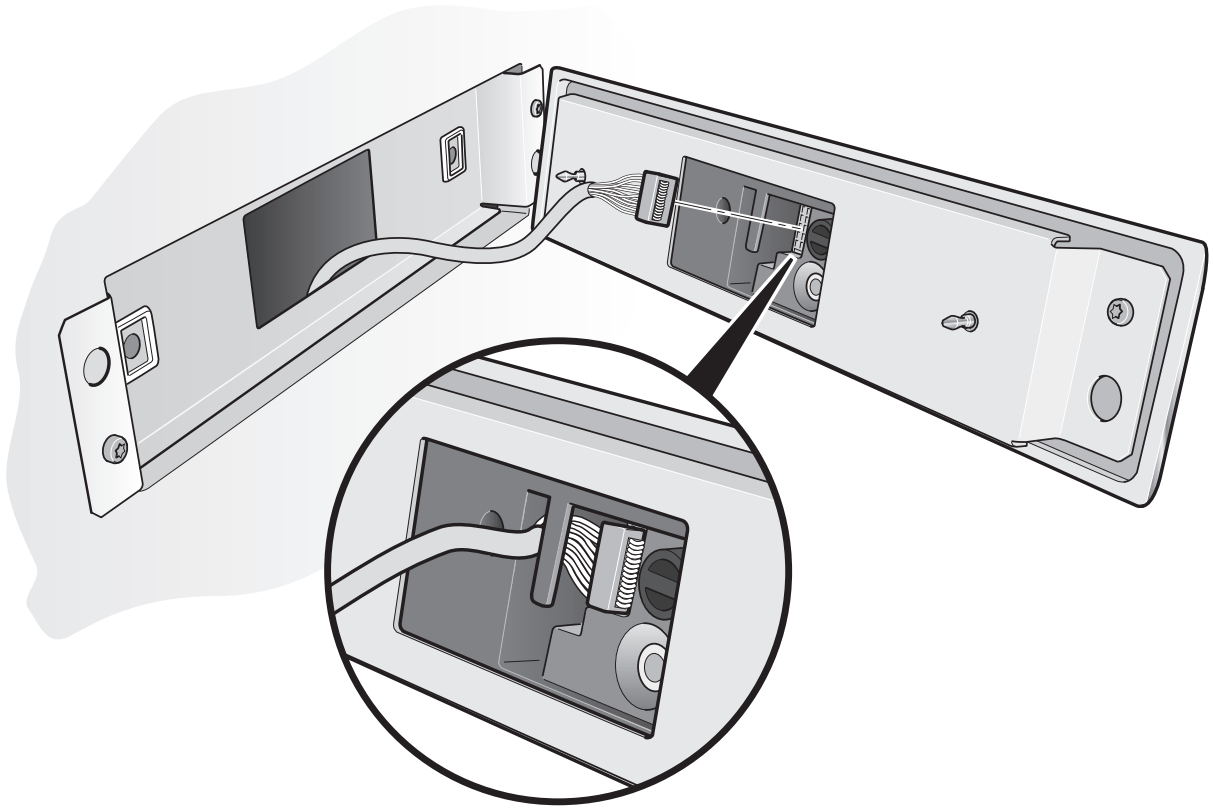
**Thermador**® | *An American Icon*™

# INSTALLATION MANUAL

MODEL: VCI2REMFS







**Thermador**<sup>®</sup> | *An American Icon*<sup>™</sup>

5551 McFadden Avenue, Huntington Beach CA, 92649 • 800-735-4328 • [www.thermador.com](http://www.thermador.com)  
9000330083 • 10013 RevB • 04/08 © BSH Home Appliances Corporation • Litho in U.S.A.