

600 CFM Flexible Blower for Downdraft



Product Features

Performance

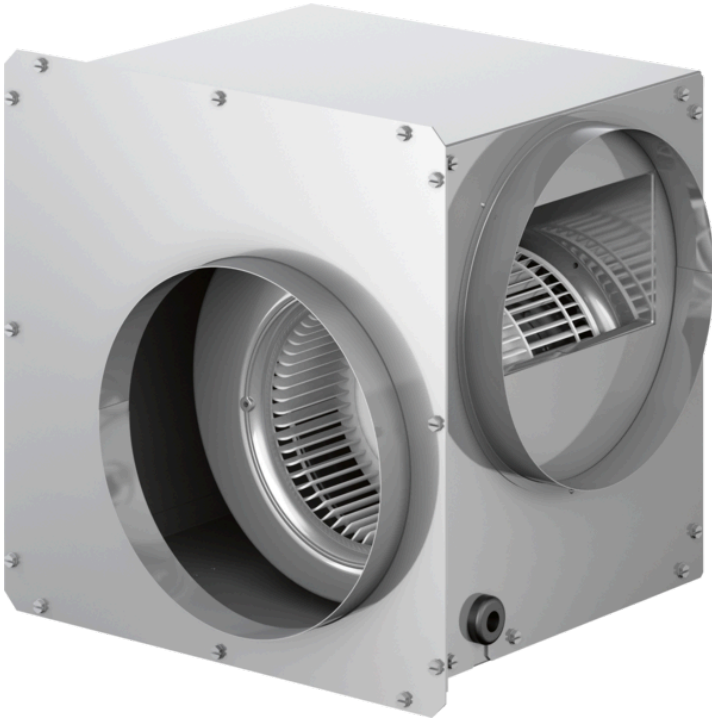
Designed for use with UCVM30RS, UCVM36RS and UCVP36RS downdrafts

Capable up to 600 CFM in performance

Some blower positions may need deeper cabinets. See installation guide

Recirculation kit available, use with induction/electric cooktops only

Additional accessories may be required for installation, see manual

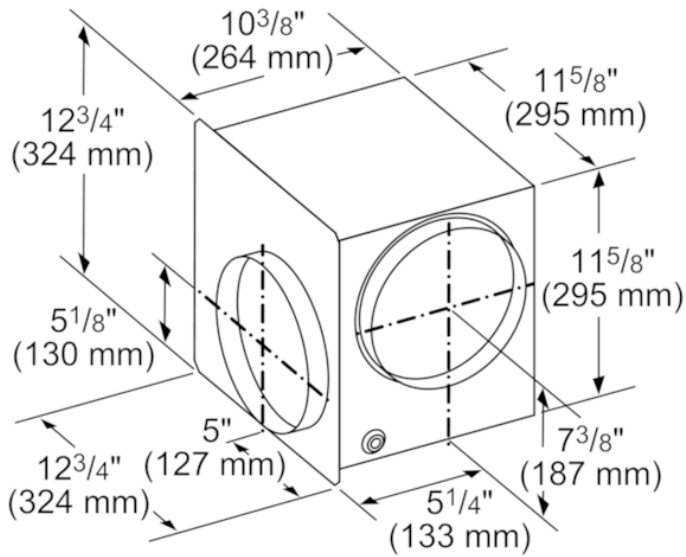


Notes: Please refer to installation instructions. Installation instructions are available at www.thermador.com. Specifications are correct at the time of printing. Thermador reserves the right to change product specifications and design at any time, without notice.

1 800 735 4328 | WWW.THERMADOR.COM | 1901 Main Street, Suite 600 Irvine, CA 92614

©2020 BSH HOME APPLIANCES CORPORATION, ALL RIGHTS RESERVED LITHO DATE: 04/2020

600 CFM Flexible Blower for Downdraft



measurements in inches (mm)

Product Features

Product group	Accessory
Brand	Thermador
SKU	VTD600P
Internal article number	VTD600P
EAN code	825225919100
Product packaging dimensions (HxWxD) (in)	8 11/16" x 16 9/16" x 17 5/16"
Net weight (lbs)	20
Gross weight (lbs)	22
Standard number of units per pallet	24
UPC code	825225919100
Name of product image	MCSA02811725_Thermador_blower_VTD600P_d

Technical Specification

Notes: Please refer to installation instructions. Installation instructions are available at www.thermador.com. Specifications are correct at the time of printing. Thermador reserves the right to change product specifications and design at any time, without notice.

1 800 735 4328 | WWW.THERMADOR.COM | 1901 Main Street, Suite 600 Irvine, CA 92614

©2020 BSH HOME APPLIANCES CORPORATION, ALL RIGHTS RESERVED LITHO DATE: 04/2020