

1000 CFM Inline Blower



Product Features

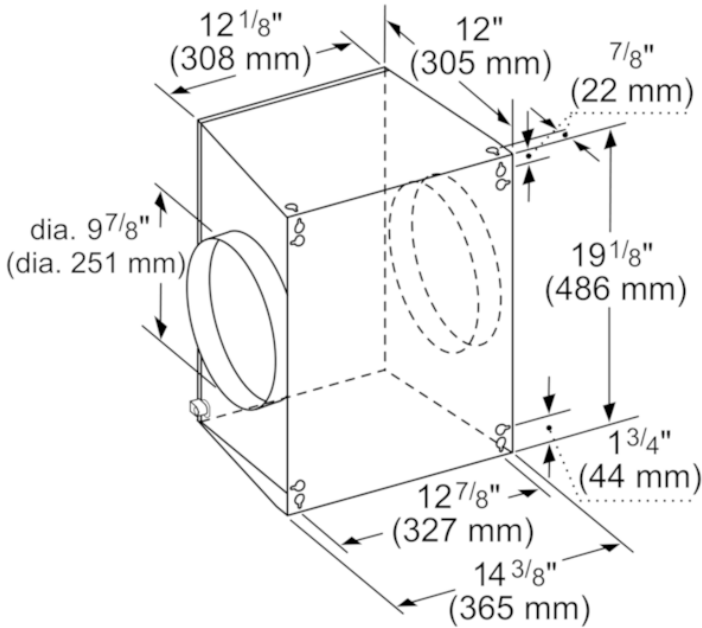


Notes: Please refer to installation instructions. Installation instructions are available at www.thermador.com. Specifications are correct at the time of printing. Thermador reserves the right to change product specifications and design at any time, without notice.

1 800 735 4328 | WWW.THERMADOR.COM | 1901 Main Street, Suite 600 Irvine, CA 92614

©2020 BSH HOME APPLIANCES CORPORATION, ALL RIGHTS RESERVED LITHO DATE: 10/2020

1000 CFM Inline Blower



measurements in inches (mm)

Product Features

	Accessory
Brand	Thermador
SKU	VTI1010W
Internal article number	VTI1010W
EAN code	825225941248
Product packaging dimensions (HxWxD) (in)	16 7/8" x 24 3/8" x 26 3/4"
	31
	34
UPC code	825225941248
	MCSA036808_VTI1010D_def

Technical Specification

Notes: Please refer to installation instructions. Installation instructions are available at www.thermador.com. Specifications are correct at the time of printing. Thermador reserves the right to change product specifications and design at any time, without notice.

1 800 735 4328 | WWW.THERMADOR.COM | 1901 Main Street, Suite 600 Irvine, CA 92614

©2020 BSH HOME APPLIANCES CORPORATION, ALL RIGHTS RESERVED LITHO DATE: 10/2020