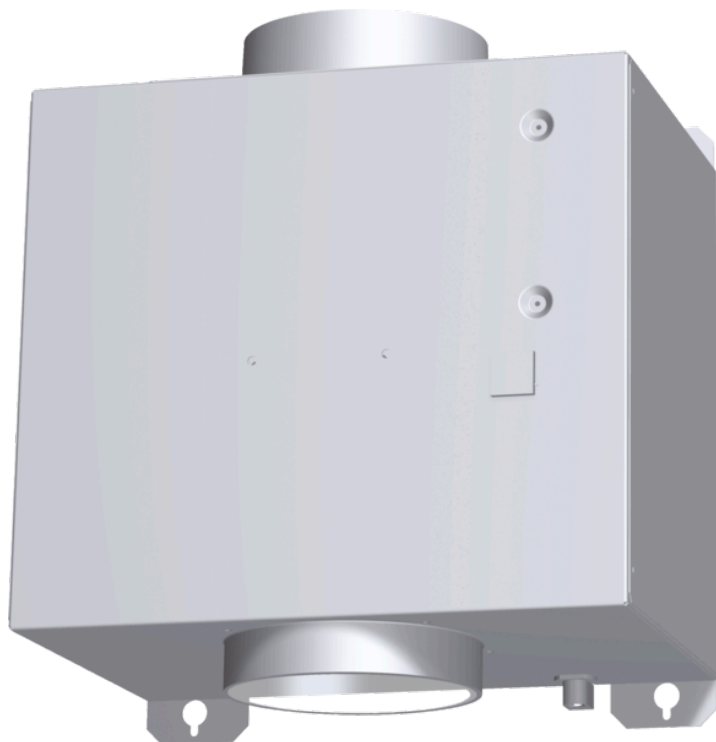


600 CFM Inline Blower



Product Features

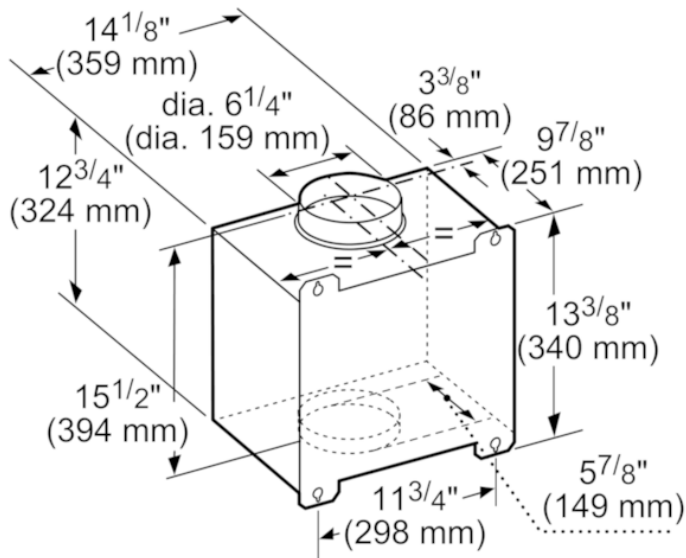


Notes: Please refer to installation instructions. Installation instructions are available at www.thermador.com. Specifications are correct at the time of printing. Thermador reserves the right to change product specifications and design at any time, without notice.

1 800 735 4328 | WWW.THERMADOR.COM | 1901 Main Street, Suite 600 Irvine, CA 92614

©2020 BSH HOME APPLIANCES CORPORATION, ALL RIGHTS RESERVED LITHO DATE: 04/2020

600 CFM Inline Blower



measurements in inches (mm)

Product Features

| | |
|---|-----------------------------|
| Product group | Accessory |
| Brand | Thermador |
| SKU | VTI610W |
| Internal article number | VTI610W |
| EAN code | 825225941231 |
| Product packaging dimensions (HxWxD) (in) | 16 7/8" x 24 3/8" x 26 3/4" |
| Net weight (lbs) | 20 |
| Gross weight (lbs) | 21 |
| UPC code | 825225941231 |
| Name of product image | MCSA036811_VTI610D_def.jpg |

Technical Specification

Notes: Please refer to installation instructions. Installation instructions are available at www.thermador.com. Specifications are correct at the time of printing. Thermador reserves the right to change product specifications and design at any time, without notice.

1 800 735 4328 | WWW.THERMADOR.COM | 1901 Main Street, Suite 600 Irvine, CA 92614

©2020 BSH HOME APPLIANCES CORPORATION, ALL RIGHTS RESERVED LITHO DATE: 04/2020