

**400 CFM Integral Blower**  
VTN1DZ



**Product Features**

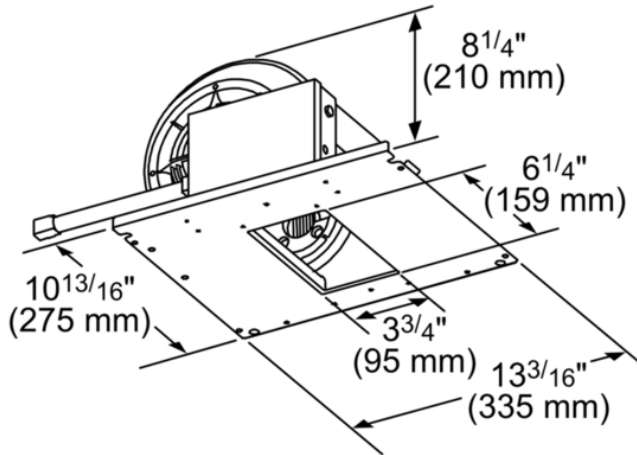


Notes: Please refer to installation instructions. Installation instructions are available at [www.thermador.com](http://www.thermador.com). Specifications are correct at the time of printing. Thermador reserves the right to change product specifications and design at any time, without notice.

1 800 735 4328 | [WWW.THERMADOR.COM](http://WWW.THERMADOR.COM) | 1901 Main Street, Suite 600 Irvine, CA 92614

©2022 BSH HOME APPLIANCES CORPORATION, ALL RIGHTS RESERVED LITHO DATE: 08/2022

**400 CFM Integral Blower**  
VTN1DZ



measurements in inches (mm)

**Product Features**

	Accessory
Brand	Thermador
SKU	VTN1DZ
Internal article number	VTN1DZ
EAN code	825225964896
Product packaging dimensions (HxWxD)	11.6" x 20.0" x 13.2"
	11
	13
UPC code	825225964896
Product image	19805476_VTN1DZ_Front_Facing_def.jpg

**Technical Specification**

Notes: Please refer to installation instructions. Installation instructions are available at [www.thermador.com](http://www.thermador.com). Specifications are correct at the time of printing. Thermador reserves the right to change product specifications and design at any time, without notice.

1 800 735 4328 | [WWW.THERMADOR.COM](http://WWW.THERMADOR.COM) | 1901 Main Street, Suite 600 Irvine, CA 92614

©2022 BSH HOME APPLIANCES CORPORATION, ALL RIGHTS RESERVED LITHO DATE: 08/2022