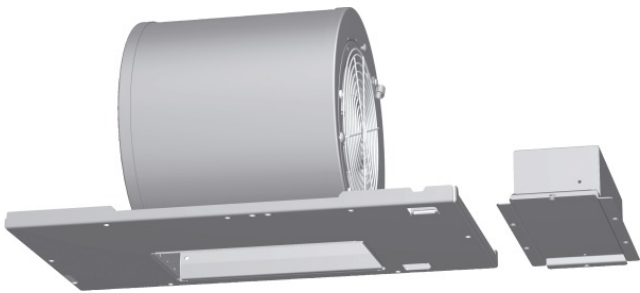


600 CFM Integral Blower VTN600F

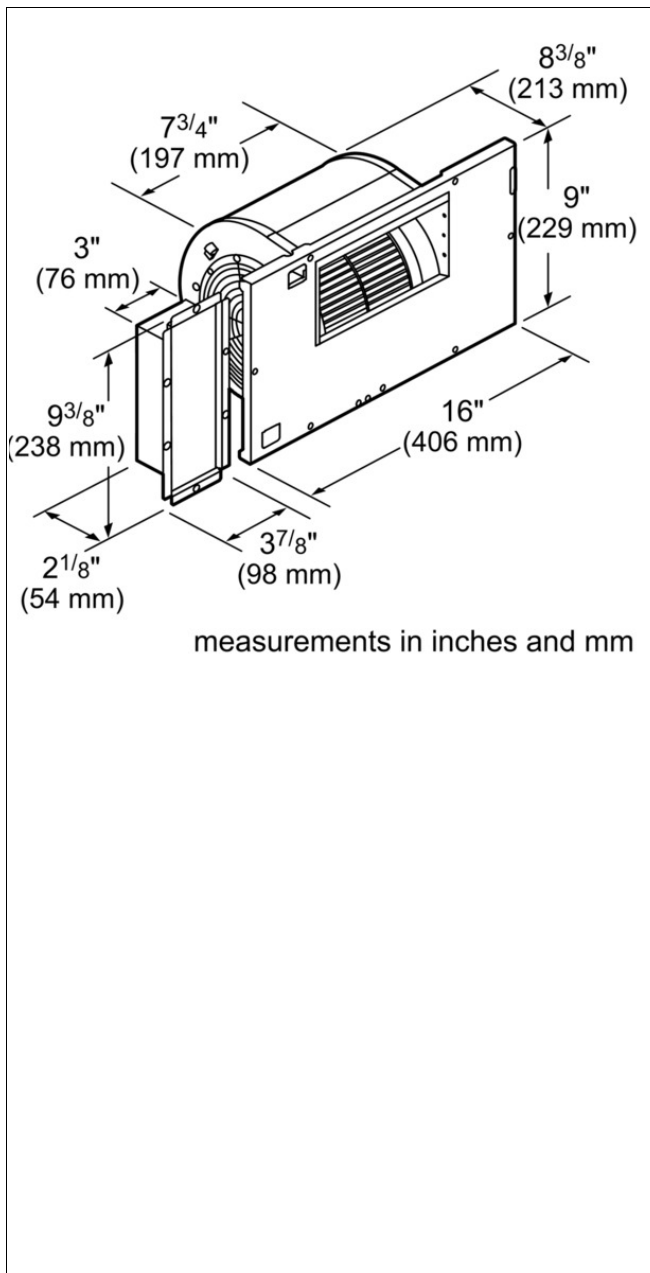


VTN600F

- Integrated blower can be purchased separately and installed within the hood
- Cable connected to blower and hood controls with a length of 30 ft.

825225867227

600 CFM Integral Blower VTN600F



Product Features

Operating Mode: Ducted

Consumption and connection features

UPC code: 825225867227

Material: zinc plated

Watts (W): 420

Current (A):

Volts (V): 120

Frequency (Hz): 60

Approval certificates: CSA, UL

Power cord length (in):

Power cord length (cm): 150.0

Plug type: 120V-3 prong

Overall appliance dimensions (HxWxD) (in): 9" / x 16" x 8 3/8"

Overall appliance dimensions (HxWxD) (mm): 228,6 x 0 x 0

Product packaging dimensions (HxWxD) (in): 17.71 x 23.62 x 26.77

Adjustable feet:

Height of the chimney (in):

Height of the chimney (mm):

Vertical rise height:

Required distance above cooktop/ranges:

Net weight (lbs): 38

Net weight (kg): 17.000

Gross weight (lbs): 41

Gross weight (kg): 18.000

Motor location:

Maximum CFM: 1000

Diameter of air duct (in) top: 8

Diameter of air duct (in) back:

Discharge direction:

No-return airflow flap: No

2013-07-12