

HMCB36FS

36-INCH CHIMNEY WALL HOOD WITH BLOWER

MASTERPIECE® SERIES



FEATURES & BENEFITS

- 600 CFM Integrated Blower included
- Three fan speeds plus 10 minute high-power operation mode
- Dishwasher-safe stainless-frame mesh filters
- Filter systems are highly efficient at capturing grease
- Powerfully Quiet® ventilation systems

ACCESSORIES (OPTIONAL)

Stainless Steel Chimney Hood Extension - CHIMXHMC

For up to 11-foot ceiling applications. Extension replaces upper section of standard chimney extension. May require fabrication to reduce height.

GENERAL PROPERTIES

Operating Mode	Ducted
Maximum CFM	600 CFM
Sones	N/A
Number of Speed Settings	3-Stage
Motor Location	Integrated Motor In Hood Body
Number of Lights	3
Bulb Type	Halogen
Total Power of the Lamps (W)	20 W
Damper Included	Yes
Grease Filter Material	Washable Synthetic
Grease Filter Type	Multilayer Cassette

TECHNICAL DETAILS

Watts (W)	590 W
Current (A)	15 A
Volts (V)	110 V
Frequency (Hz)	60 Hz
Plug Type	120V-3 Prong
Conduit Length	51"

DIMENSIONS & WEIGHT

Overall Appliance Dimensions (Width of Canopy Included) (HxWxD) (in)	31" - 35" / x 35 1/2" x 21 1/2"
Height of The Chimney (in)	21 1/2" - 25 1/2"
Required Distance Above Cooktop / Range Cooking Surface	30" / 30"
Diameter of Air Duct (in) Top	6"
Net Weight (lbs)	48 lbs

BLOWER OPTIONS

Remote Blower (Mounted to Roof or External Wall)	N/A
	N/A
	N/A
Inline Blower (Mounted Between Kitchen and External Wall)	N/A
	N/A
Integrated Blower (Mounted in Hood)	N/A

WARRANTY

Limited Warranty Parts and Labor	2 Year
----------------------------------	--------

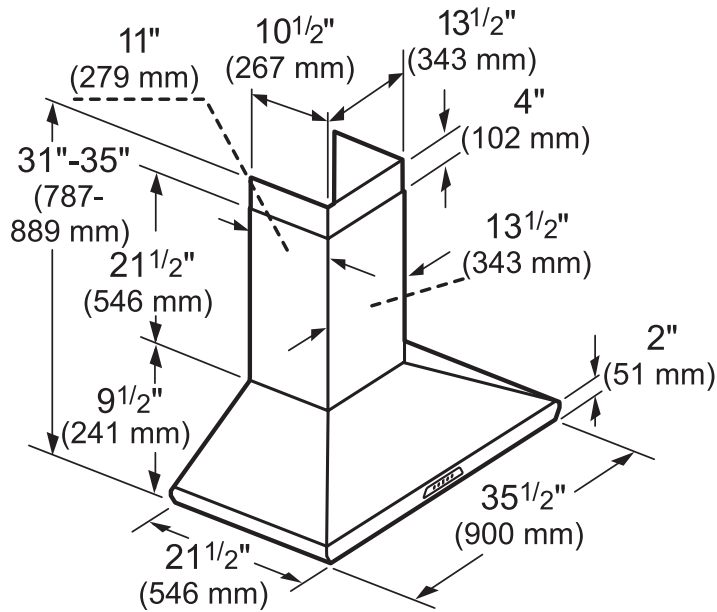
HMCB36FS

36-INCH CHIMNEY WALL HOOD WITH BLOWER

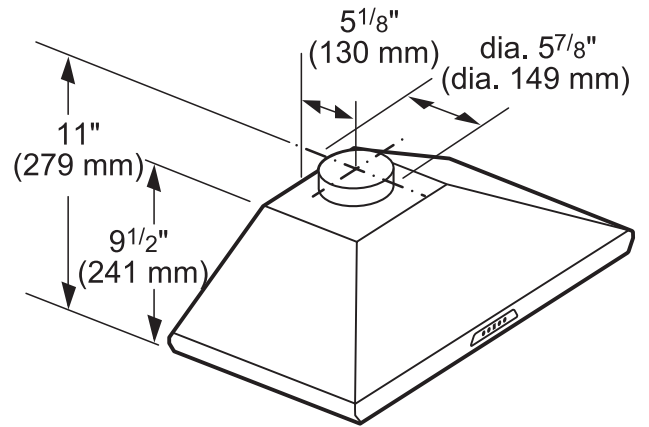
MASTERPIECE® SERIES



HOOD DIMENSIONS



measurements in inches and mm

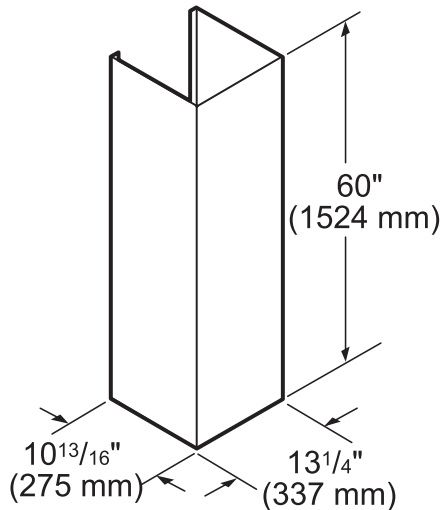


measurements in inches and mm

OPTIONAL ACCESSORIES

CHIMNEY EXTENSION CHIMXHMC

Stainless steel chimney hood extension for up to 11-foot ceiling applications. Extension replaces upper section of standard chimney extension. May require fabrication to reduce height.



measurements in inches and mm

These warranties give you specific legal rights and you may have other rights that vary from state to state. Full warranty and limited warranty from date of installation. For complete warranty details, refer to your Use & Care manual, or ask your dealer.

Specifications are for planning purposes only. Refer to installation instructions and consult your countertop supplier prior to making counter opening. Consult with a heating and ventilation engineer for your specific ventilation requirements. For the most detailed information, refer to installation instructions accompanying product or write to Thermador indicating the model number. Specifications are correct at time of printing. Thermador reserves the right to change product specifications or design without notice. Some models are certified for use in Canada. Thermador is not responsible for products that are transported from the U.S. for use in Canada.