

# Masterpiece® Series

## 36" Chimney Wall Hood

### HMCB36FS



#### **HMCB36FS Stainless steel**

##### **Performance**

- 3 fan speeds plus 10 minute high-power operation mode
- Filter systems are highly efficient at capturing grease
- Powerfully quiet ventilation systems

##### **Design**

- Brushed stainless steel finish
- Welded, polished seams for a flawless design
- Easy to operate control buttons

##### **Capacity**

- 600 CFM Integrated Blower included
- 6" Round duct size
- Vertical ducting direction

##### **Convenience**

- Halogen lighting spotlights your best recipes
- Dishwasher safe stainless-frame mesh filters
- Telescopic chimney - adjustable at installation
- Hood includes filters, lights, backdraft damper and transition

##### **Optional accessories**

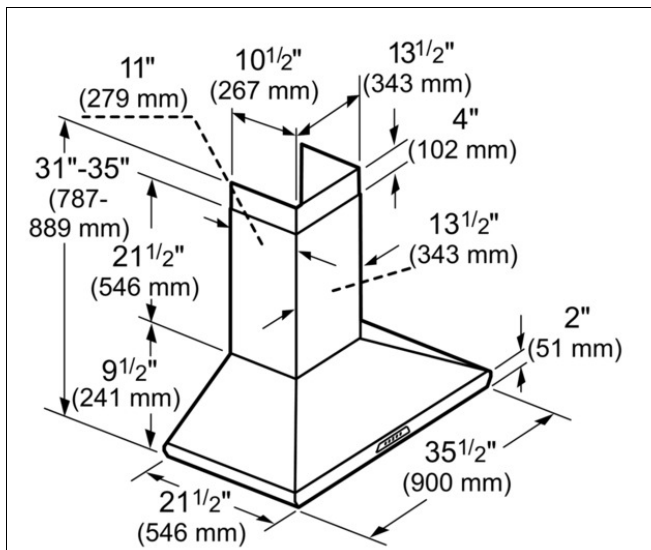
CHIMXHC Chimney Extension

825225861492

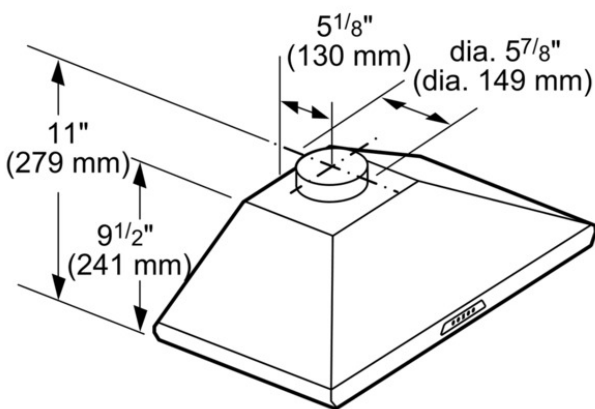
# Masterpiece® Series

## 36" Chimney Wall Hood

### HMCB36FS



measurements in inches and mm



measurements in inches and mm

#### Product Features

Operating Mode: Ducted  
 Number of speed settings: 3-stage  
 Optional accessories: CHIMXHMC  
 Number of lights: 3  
 Type of lamps used: Halogen  
 Total power of the lamps (W): 60  
 Grease filter material: aluminium  
 Grease filter type: Multilayer cassette

#### Consumption and connection features

UPC code: 825225861492  
 Material: Stainless steel  
 Watts (W): 590  
 Current (A):  
 Volts (V): 110  
 Frequency (Hz): 60  
 Approval certificates: ETL  
 Power cord length (in): 51 "  
 Power cord length (cm): 130.0  
 Plug type: 120V-3 prong  
 Overall appliance dimensions (HxWxD) (in): 31"-35" / x 35 1/2" x 21 1/2"  
 Overall appliance dimensions (HxWxD) (mm): 790-890 MM x 900 x 550  
 Product packaging dimensions (HxWxD) (in): 28.34 x 42.32 x 19.29  
 Adjustable feet:  
 Height of the chimney (in): 21 1/2"-25 1/2"  
 Height of the chimney (mm): 550-650  
 Vertical rise height:  
 Required distance above cooktop/ranges: 30"/30"  
 Net weight (lbs): 48  
 Net weight (kg): 22.000  
 Gross weight (lbs): 59  
 Gross weight (kg): 27.000  
 Motor location:  
 Maximum CFM: 600  
 Diameter of air duct (in) top: 6  
 Diameter of air duct (in) back:  
 Discharge direction:  
 No-return airflow flap: No

2013-07-12