

Masterpiece® Series

42" Chimney Wall Hood

HMCB42FS



HMCB42FS Stainless steel

Performance

- 3 fan speeds plus 10 minute high-power operation mode
- Filter systems are highly efficient at capturing grease
- Powerfully quiet ventilation systems

Design

- Brushed stainless steel finish
- Welded, polished seams for a flawless design
- Easy to operate control buttons

Capacity

- 600 CFM Integrated Blower included
- 6" Round duct size
- Vertical ducting direction

Convenience

- Halogen lighting spotlights your best recipes
- Dishwasher safe stainless-frame mesh filters
- Telescopic chimney - adjustable at installation
- Hood includes filters, lights, backdraft damper and transition

Optional accessories

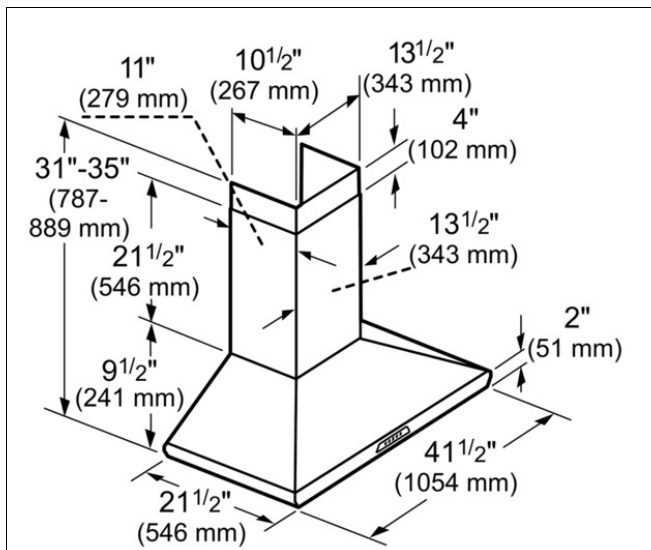
CHIMXHMC Chimney Extension

825225861508

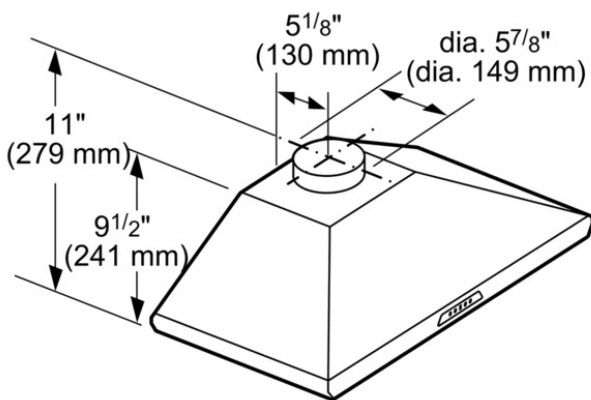
Masterpiece® Series

42" Chimney Wall Hood

HMCB42FS



measurements in inches and mm



measurements in inches and mm

Product Features

- Operating Mode: Ducted
- Number of speed settings: 3-stage
- Optional accessories: CHIMXHMC
- Number of lights: 3
- Type of lamps used: Halogen
- Total power of the lamps (W): 60
- Grease filter material: aluminium
- Grease filter type: Multilayer cassette

Consumption and connection features

- UPC code: 825225861508
- Material: Stainless steel
- Watts (W): 590
- Current (A):
- Volts (V): 110
- Frequency (Hz): 60
- Approval certificates: ETL
- Power cord length (in): 51 "
- Power cord length (cm): 130.0
- Plug type: 120V-3 prong
- Overall appliance dimensions (HxWxD) (in): 31"-35" / x 42 1/2" x 21 1/2"
- Overall appliance dimensions (HxWxD) (mm): 790-890 MM x 1050 x 548
- Product packaging dimensions (HxWxD) (in): 27.16 x 18.50 x 48.03
- Adjustable feet:
- Height of the chimney (in): 21 1/2"-25 1/2"
- Height of the chimney (mm): 550-650
- Vertical rise height:
- Required distance above cooktop/ranges: 30"/30"
- Net weight (lbs): 57
- Net weight (kg): 26.000
- Gross weight (lbs): 68
- Gross weight (kg): 31.000
- Motor location:
- Maximum CFM: 600
- Diameter of air duct (in) top: 6
- Diameter of air duct (in) back:
- Discharge direction:
- No-return airflow flap: No

2013-07-12