

HMCN42FS

42-INCH CHIMNEY WALL HOOD

MASTERPIECE® SERIES



FEATURES & BENEFITS

- Three fan speeds plus 10 minute high-power operation mode
- Delayed shut-off tackles lingering odors for up to 10 minutes
- Built-in 'Clean Filter' reminder light illuminates after 40 hours of operation
- Dimmer lighting—for those hours after a late meal
- Dishwasher-safe stainless-frame mesh filters

ACCESSORIES (OPTIONAL)

Roofplates

RFPLT600 - For use with 600 CFM Remote Blower VTR630D

RFPLT1000 - For use with 1000 CFM Remote Blower VTR1030D and 1300 CFM Blower VTR1330E

Stainless Steel Chimney Hood Extension - CHIMXHMC

For up to 11-foot ceiling applications. Extension replaces upper section of standard chimney extension. May require fabrication to reduce height.

GENERAL PROPERTIES

| | |
|------------------------------|------------------------|
| Operating Mode | Ducted |
| Maximum CFM | Blower Sold Separately |
| Sones | N/A |
| Number of Speed Settings | 3-Stage |
| Motor Location | Blower Sold Separately |
| Number of Lights | 3 |
| Bulb Type | Halogen |
| Total Power of the Lamps (W) | 20 W |
| Damper Included | No |
| Grease Filter Material | Washable Synthetic |
| Grease Filter Type | Multilayer Cassette |

TECHNICAL DETAILS

| | |
|----------------|--------------|
| Watts (W) | 60 W |
| Current (A) | 15 A |
| Volts (V) | 110 V |
| Frequency (Hz) | 60 Hz |
| Plug Type | 120V-3 Prong |
| Conduit Length | 51" |

DIMENSIONS & WEIGHT

| | |
|--|-------------------------------|
| Overall Appliance Dimensions (Width of Canopy Included) (HxWxD) (in) | 31" - 35" x 41 1/2" x 21 1/2" |
| Height of The Chimney (in) | 21 1/2" - 25 1/2" |
| Required Distance Above Cooktop / Range Cooking Surface | 30" / 30" |
| Diameter of Air Duct (in) Top | 8" |
| Net Weight (lbs) | 44 lbs |

ACCESSORIES (REQUIRED)

Blower (Sold Separately)

BLOWER OPTIONS

| | |
|--|---------------------|
| Remote Blower (Mounted to Roof or External Wall) | VTR630D - 600 CFM |
| | VTR1030D - 1000 CFM |
| | VTR1330E - 1300 CFM |
| Inline Blower (Mounted Between Kitchen and External Wall) | VTI610D - 600 CFM |
| | VTI1010D - 1000 CFM |
| Integrated Blower (Mounted in Hood) | VTN1080N - 1000 CFM |

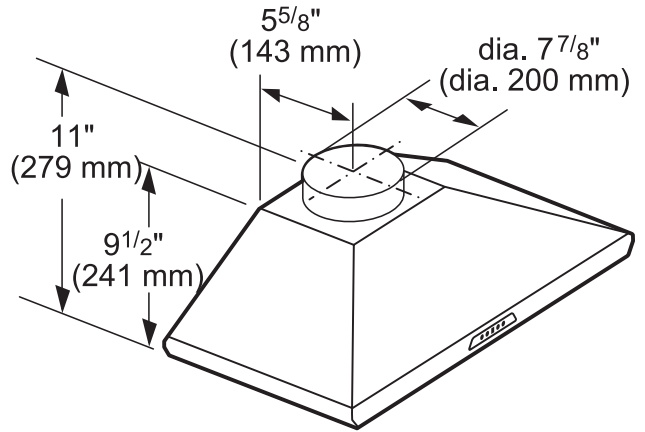
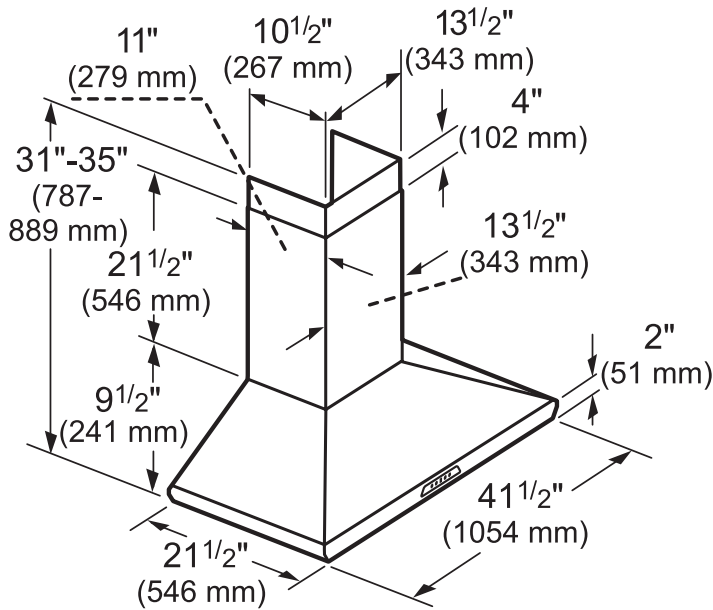
WARRANTY

| | |
|----------------------------------|--------|
| Limited Warranty Parts and Labor | 2 Year |
|----------------------------------|--------|

HMCN42FS
42-INCH CHIMNEY WALL HOOD
 MASTERPIECE® SERIES



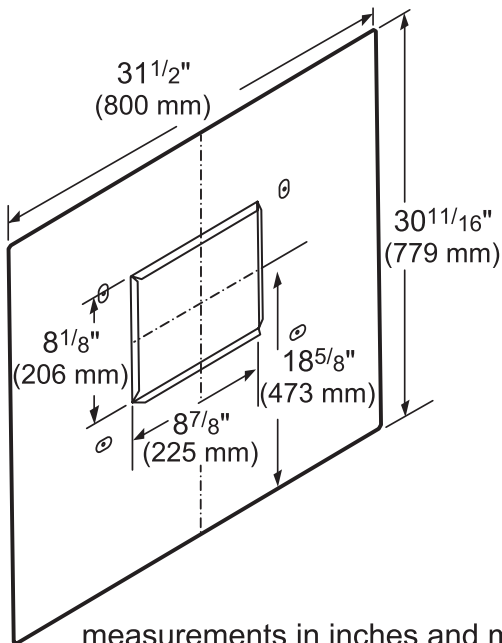
HOOD DIMENSIONS



measurements in inches and mm

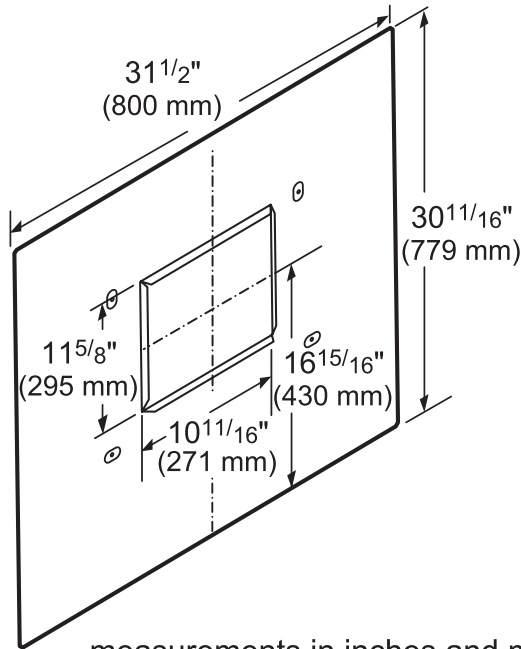
REMOTE BLOWER ACCESSORIES

ROOFPLATE RFPLT600



measurements in inches and mm

ROOFPLATE RFPLT1000



measurements in inches and mm

HMCN42FS 42-INCH CHIMNEY WALL HOOD

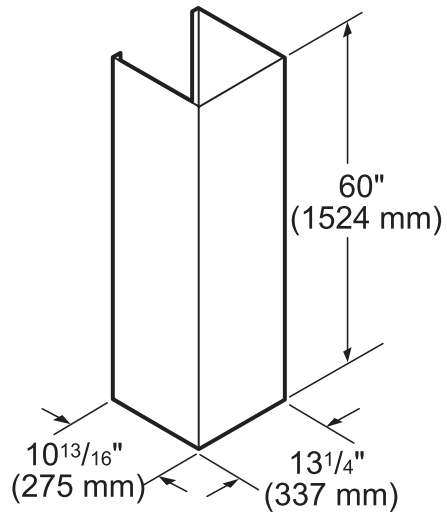
MASTERPIECE® SERIES



OPTIONAL ACCESSORIES

CHIMNEY EXTENSION CHIMXHMC

Stainless steel chimney hood extension for up to 11-foot ceiling applications. Extension replaces upper section of standard chimney extension. May require fabrication to reduce height.



measurements in inches and mm

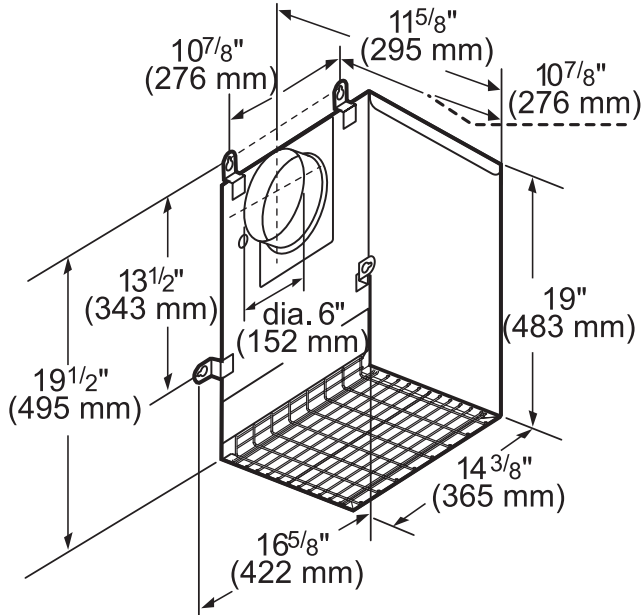
HMCN42FS
42-INCH CHIMNEY WALL HOOD
MASTERPIECE® SERIES



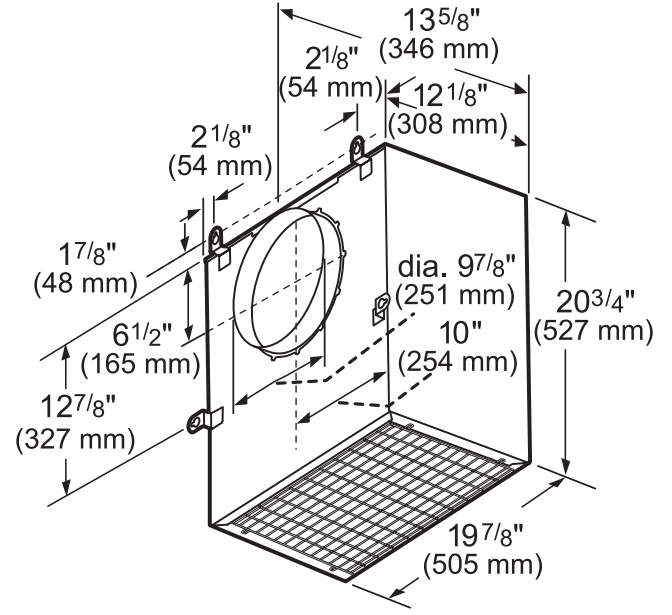
REMOTE BLOWERS (MOUNTED TO ROOF OR EXTERNAL WALL)

VTR630D-600 CFM

VTR1030D-1000 CFM

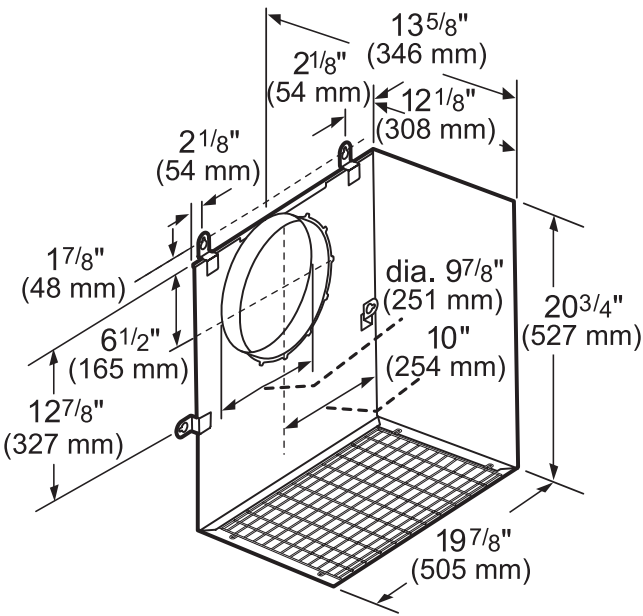


measurements in inches and mm



measurements in inches and mm

VTR1330E-1300 CFM



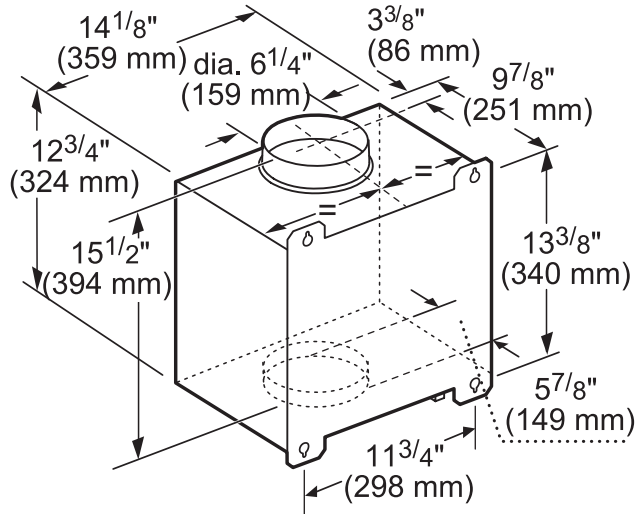
measurements in inches and mm

HMCN42FS
42-INCH CHIMNEY WALL HOOD
MASTERPIECE® SERIES



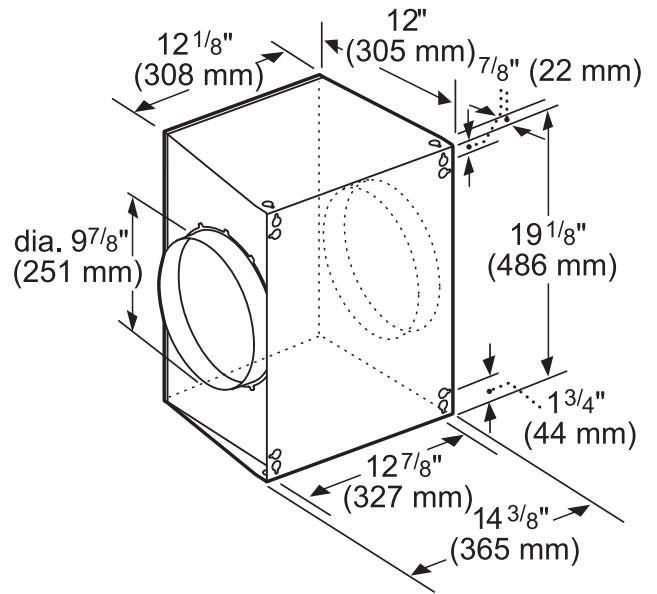
INLINE BLOWERS (MOUNTED BETWEEN KITCHEN AND EXTERNAL WALL)

VTI610D-600 CFM



measurements in inches and mm

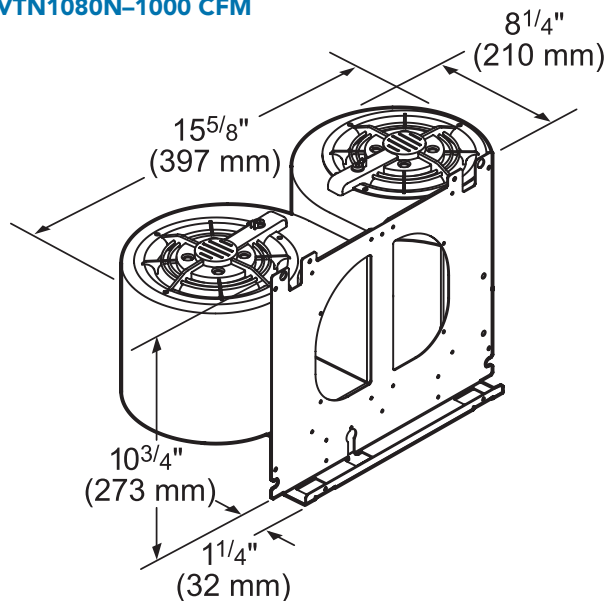
VTI1010D-1000 CFM



measurements in inches and mm

INTEGRATED BLOWERS (MOUNTED IN HOOD)

VTN1080N-1000 CFM



measurements in inches and mm

These warranties give you specific legal rights and you may have other rights that vary from state to state. Full warranty and limited warranty from date of installation. For complete warranty details, refer to your Use & Care manual, or ask your dealer.

Specifications are for planning purposes only. Refer to installation instructions and consult your countertop supplier prior to making counter opening. Consult with a heating and ventilation engineer for your specific ventilation requirements. For the most detailed information, refer to installation instructions accompanying product or write to Thermador indicating the model number. Specifications are correct at time of printing. Thermador reserves the right to change product specifications or design without notice. Some models are certified for use in Canada. Thermador is not responsible for products that are transported from the U.S. for use in Canada.