

Masterpiece® Series

42" Chimney Wall Hood

HMCN42FS



HMCN42FS Stainless steel

Performance

- 3 fan speeds plus 10 minute high-power operation mode
- Filter systems are highly efficient at capturing grease
- Powerfully quiet ventilation systems

Design

- Brushed stainless steel finish
- Welded, polished seams for a flawless design
- Premium electronic touch controls

Capacity

- 1000 CFM Integrated Blower option VTN1080F
- Inline Blowers: VTI610D (600 CFM) or VTI1010D (1000 CFM)
- Remote Blowers: VTR630D (600CFM), VTR1030D (1000CFM), or VTR1330E (1300CFM)
- Remote Blower requires Roof Plate RFPLT600 for roof installations (600 CFM)
- Remote Blowers require Roof Plate RFPLT1000 for roof installations (1000/1300 CFM)
- 8" Round duct size
- Vertical ducting direction

Convenience

- Halogen lighting spotlights your best recipes
- Dishwasher safe stainless-frame mesh filters
- Dimmer lighting - for those hours after a late meal
- Built-in Clean Filter Reminder light
- Telescopic chimney - adjustable at installation
- Delayed shut off tackles lingering odors for up to 10 minutes
- Blowers sold separately
- Choose from Inline, Remote or Integrated Blowers

Optional accessories

CHIMXHC Chimney Extension

RFPLT1000 Roof mounting plate for VTR1030D

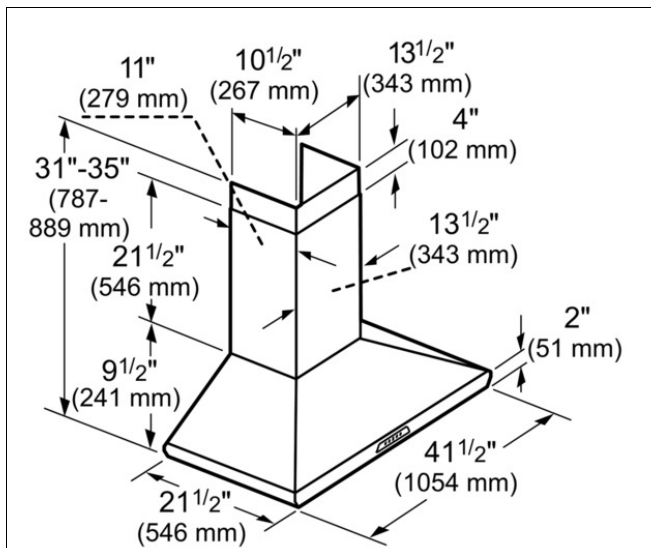
RFPLT600 Roof mounting plate for VTR630D

825225861638

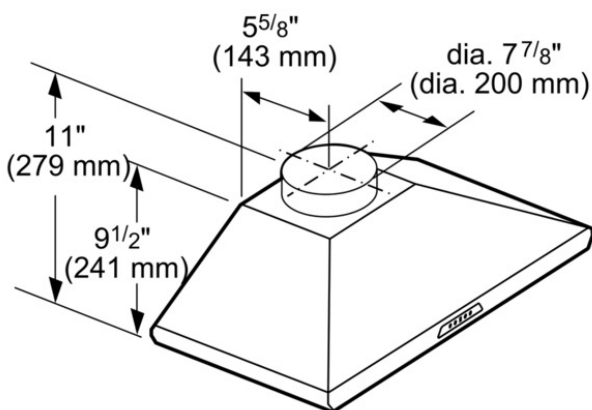
Masterpiece® Series

42" Chimney Wall Hood

HMCN42FS



measurements in inches and mm



measurements in inches and mm

Product Features

- Operating Mode: Ducted
- Number of speed settings: 3-stage
- Optional accessories: CHIMXHMC, RFPLT1000, RFPLT600
- Number of lights: 3
- Type of lamps used: Halogen
- Total power of the lamps (W): 60
- Grease filter material: aluminium
- Grease filter type: Multilayer cassette
- Clean filter reminders: Electronic

Consumption and connection features

- UPC code: 825225861638
- Material: Stainless steel
- Watts (W): 60
- Current (A):
- Volts (V): 110
- Frequency (Hz): 60
- Approval certificates: ETL
- Power cord length (in): 51 "
- Power cord length (cm): 130.0
- Plug type: 120V-3 prong
- Overall appliance dimensions (HxWxD) (in): 31" - 35" / x 41 1/2" x 21 1/2"
- Overall appliance dimensions (HxWxD) (mm): 787-890 x 1050 x 546
- Product packaging dimensions (HxWxD) (in): 28.74 x 19.29 x 48.03
- Adjustable feet:
- Height of the chimney (in):
- Height of the chimney (mm):
- Vertical rise height:
- Required distance above cooktop/ranges: 30"/30"
- Net weight (lbs): 44
- Net weight (kg): 20.000
- Gross weight (lbs): 56
- Gross weight (kg): 25.000
- Motor location:
- Maximum CFM: 0
- Diameter of air duct (in) top: 8
- Diameter of air duct (in) back:
- Discharge direction:
- No-return airflow flap: No

2013-07-12