

HMIB40HS 40-INCH GLASS ISLAND HOOD WITH BLOWER

MASTERPIECE® SERIES

Thermador
REAL INNOVATIONS FOR REAL COOKS®



FEATURES & BENEFITS

- 600 CFM Integrated Blower included
- An ideal solution for island cooktop installations
- Four fan speeds including one intensive level
- Built-in 'Clean Filter' reminder light illuminates after 40 hours of operation
- Delayed shut-off tackles lingering odors for up to 10 minutes

ACCESSORIES (OPTIONAL)

Recirculation Kit

RECIRISL - For use with 600 CFM Blowers Only

Replacement Charcoal Filters

CHFILISL - For use with Recirculation Kit RECIRISL

GENERAL PROPERTIES

Operating Mode	Convertible: Ducted / Recirculating
Maximum CFM	600 CFM
Number of Speed Settings	3-Stage
Motor Location	Integrated Motor in Hood Chimney
Number Of Lights	4
Bulb Type	Halogen
Total Power Of The Lamps (W)	80 W
Damper Included	Yes
Grease Filter Material	Washable Synthetic
Grease Filter Type	Multilayer Cassette

TECHNICAL DETAILS

Watts (W)	530 W
Current (A)	10 A
Volts (V)	120 V
Frequency (Hz)	60 Hz
Plug Type	120V-3 Prong
Power Cord Length	51 2/16"

DIMENSIONS & WEIGHT

Overall Appliance Dimensions (Width Of Canopy Included) (HxWxD) (in)	30 3/8" - 41 3/8" / x 39 5/16" x 27 1/2"
Height Of The Chimney (in)	28 3/8" - 39 7/16"
Required Distance Above Cooktop / Range Cooking Surface	30" / 30"
Diameter of Air Duct (in) Top	6"
Net Weight (lbs)	87 lbs

BLOWER OPTIONS

Remote Blowers (Mounted to Roof or External Wall)	N/A
	N/A
	N/A
Inline Blowers (Mounted Between Kitchen and External Wall)	N/A
	N/A

WARRANTY

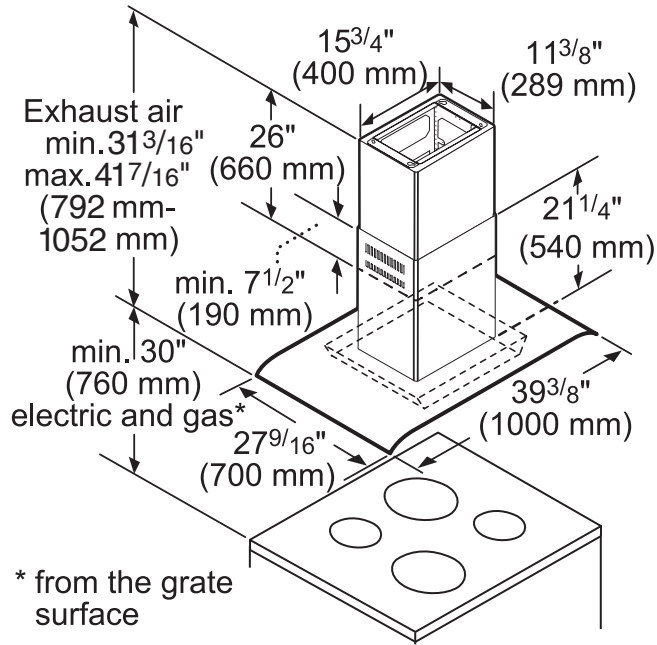
Limited Warranty Parts And Labor	2 Year
----------------------------------	--------

HMIB40HS 40-INCH GLASS ISLAND HOOD WITH BLOWER

MASTERPIECE® SERIES

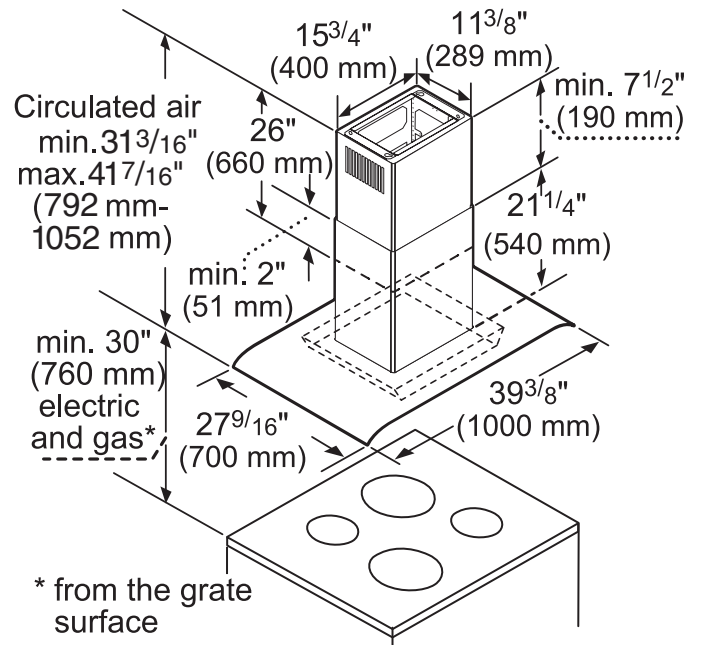


EXTERNAL EXHAUST



measurements in inches and mm

INTERNAL RECIRCULATION

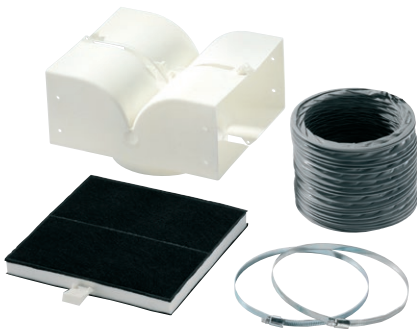


measurements in inches and mm

OPTIONAL ACCESSORIES

RECIRCULATION KIT

- RECIRISL
- Stainless steel finish
 - Perfect for hard to duct installations
 - Use with 600 CFM blowers only



REPLACEMENT CHARCOAL FILTERS

- CHFILISL
- For use with Recirculation Kit RECIRISL



These warranties give you specific legal rights and you may have other rights that vary from state to state. Full warranty and limited warranty from date of installation. For complete warranty details, refer to your Use & Care manual, or ask your dealer.

Specifications are for planning purposes only. Refer to installation instructions and consult your countertop supplier prior to making counter opening. Consult with a heating and ventilation engineer for your specific ventilation requirements. For the most detailed information, refer to installation instructions accompanying product or write to Thermador indicating the model number. Specifications are correct at time of printing. Thermador reserves the right to change product specifications or design without notice. Some models are certified for use in Canada. Thermador is not responsible for products that are transported from the U.S. for use in Canada.