

HMIB40HS

Masterpiece® Series

40" Island Hood



HMIB40HS Stainless steel

Performance

- Four fan speeds including one intensive level
- Filter systems are highly efficient at capturing grease
- Powerfully quiet ventilation systems
- Perfect fit for 30" & 36" cooktops

Design

- An ideal solution for island cooktop installations
- Stunning combination of glass and stainless steel with Masterpiece® design elements
- Brushed stainless steel finish
- Chiseled design for a seamless integration into any kitchen

Convenience

- Halogen lighting spotlights your best recipes
- Dimmer lighting – for a soft lighting effect completely adjustable by user
- Dishwasher safe stainless steel mesh filters
- Delayed shut off tackles lingering odors for up to 10 minutes
- Built-in 'Clean Filter' reminder light illuminates after 40 hours of operation
- Easy to operate control buttons

Capacity

- 600 CFM Integrated Blower included
- 6" Round duct size
- Vertical ducting direction

Optional accessories

CHFILISL Active carbon filter

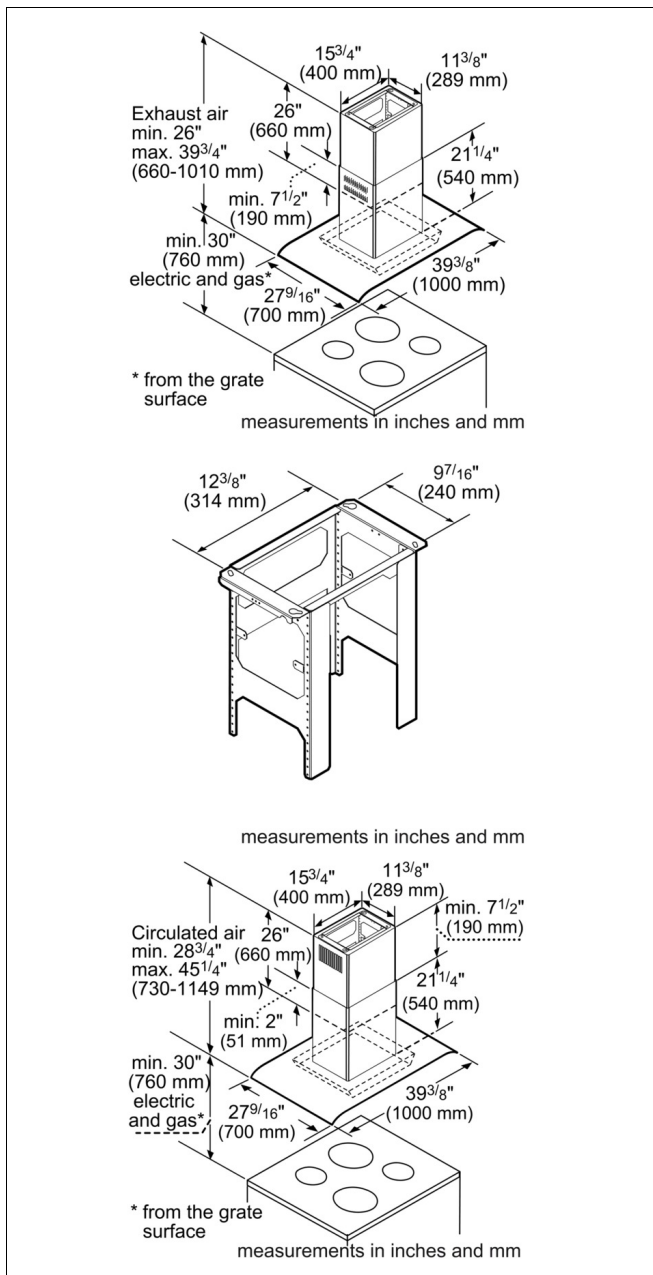
RECIRISL Starter set

825225875505

HMIB40HS

Masterpiece® Series

40" Island Hood



Product Features

Operating Mode: Convertable: Ducted / Recirculating
 Number of speed settings: 3-stage
 Delay Shut off modes: 10
 Optional accessories: CHFILISL, RECIRISL
 Number of lights: 4
 Type of lamps used: Halogen
 Total power of the lamps (W): 80
 Grease filter material: Washable stainless steel
 Grease filter type: Multilayer cassette
 Clean filter reminders: Electronic

Consumption and connection features

UPC code: 825225875505
 Material: Glass
 Watts (W): 530
 Current (A): 5
 Volts (V): 120
 Frequency (Hz): 60
 Approval certificates: ETL
 Power cord length (in): 51 2/16"
 Power cord length (cm): 130.0
 Plug type: 120V-3 prong
 Overall appliance dimensions (HxWxD) (in): 30 3/8" - 41 3/8" / x 39 5/16" x 27 1/2"
 Overall appliance dimensions (HxWxD) (mm): 772-1052 x 1000 x 700
 Product packaging dimensions (HxWxD) (in): 31.10 x 26.77 x 44.09
 Adjustable feet:
 Height of the chimney (in): 28 3/8" - 39 7/16"
 Height of the chimney (mm): 722-1002
 Vertical rise height:
 Required distance above cooktop/ranges: 30"/30"
 Net weight (lbs): 87
 Net weight (kg): 39.000
 Gross weight (lbs): 108
 Gross weight (kg): 49.000
 Motor location:
 Maximum CFM: 600
 Diameter of air duct (in) top: 6
 Diameter of air duct (in) back:
 Discharge direction:
 No-return airflow flap: Yes

2013-07-12