

# HMWN30FS WALL HOOD (30-INCH WIDTH) MASTERPIECE®



## FEATURES & BENEFITS

- Recirculation possible with kit RECIRC\_FS (max 600 CFM)
- Three fan speeds plus 10 minute high-power operation mode
- Built-in 'Clean Filter' reminder light illuminates after 40 hours of operation
- Delayed shut-off tackles lingering odors for up to 10 minutes
- Dishwasher-safe low-profile baffle filters

## ACCESSORIES (OPTIONAL)

Roofplates

RFPLT600 - For use with 600 CFM Remote Blower VTR630D

RFPLT1000 - For use with 1000 CFM Remote Blower VTR1030D and 1300 CFM Blower VTR1330E

Recirculation Kit

RECIRC30FS - For 30" Hood Only

Replacement Charcoal Filter - CHFILT3036

For Use With Recirculation Kit RECIRC\_FS

|   |         |
|---|---------|
| 30" W, 6" H Stainless Steel Duct Cover  | DC30US  |
| 30" W, 12" H Stainless Steel Duct Cover | DCT30US |
| 30" W Stainless Steel Backsplash        | PA30JBS |

## GENERAL PROPERTIES

|                              |                                     |
|------------------------------|-------------------------------------|
| Operating Mode               | Convertible: Ducted / Recirculating |
| Maximum CFM                  | N/A                                 |
| Number of Speed Settings     | 3-Stage                             |
| Motor Location               | Blower (Sold Separately)            |
| Number Of Lights             | Lights Sold Separately - 2          |
| Bulb Type                    | 50 W - G10 Base                     |
| Total Power Of The Lamps (W) | 100 W                               |
| Damper Included              | Yes                                 |
| Grease Filter Material       | Washable Synthetic                  |
| Grease Filter Type           | Multilayer Cassette                 |

## TECHNICAL DETAILS

|                |                  |
|----------------|------------------|
| Watts (W)      | 100 W            |
| Current (A)    | 15 A             |
| Volts (V)      | 120 V            |
| Frequency (Hz) | 60 HZ            |
| Plug Type      | Fixed Connection |

## DIMENSIONS & WEIGHT

|  |                     |
|--|---------------------|
| Overall Appliance Dimensions (Width Of Canopy Included) (HxWxD) (in) | 11" x 30" x 23 1/8" |
| Required Distance Above Cooktop / Range Cooking Surface              | 30" / 30"           |
| Diameter of Air Duct (in) Top  | 10"                 |
| Diameter of Air Duct (in) Back                                       | N/A                 |
| Net Weight (lbs)   | 35 lbs              |

## ACCESSORIES (REQUIRED)

Blower (Sold Separately)

## BLOWER OPTIONS

|  |                     |
|--|---------------------|
| Remote Blower<br>(Mounted to Roof or External Wall)          | VTR630D - 600 CFM   |
|  | VTR1030D - 1000 CFM |
|  | VTR1330E - 1300 CFM |
| Inline Blower<br>(Mounted Between Kitchen and External Wall) | VTI610D - 600 CFM   |
|  | VTI1010D - 1000 CFM |
| Integrated Blower (Mounted in Hood)                          | VTN600N - 600 CFM   |

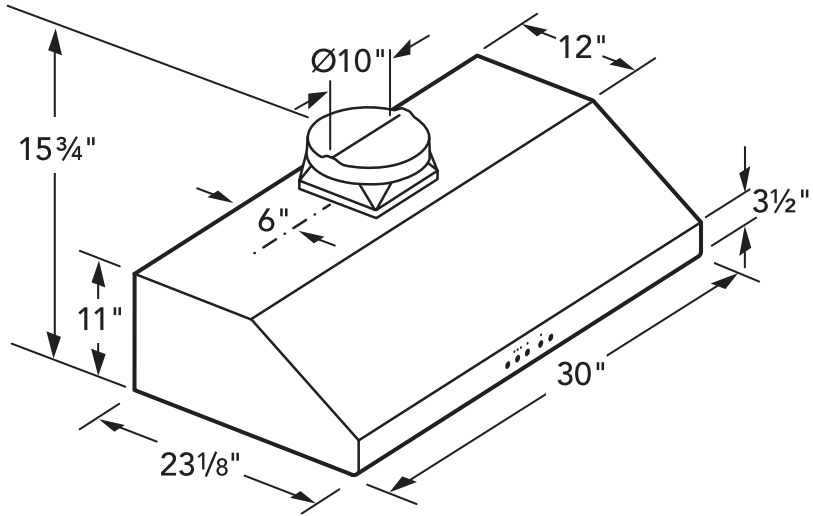
## WARRANTY

|                                  |        |
|----------------------------------|--------|
| Limited Warranty Parts And Labor | 2 Year |
|----------------------------------|--------|

**HMWN30FS**  
**WALL HOOD (30-INCH WIDTH)**  
MASTERPIECE®



**HOOD DIMENSIONS**



# HMWN30FS WALL HOOD (30-INCH WIDTH)

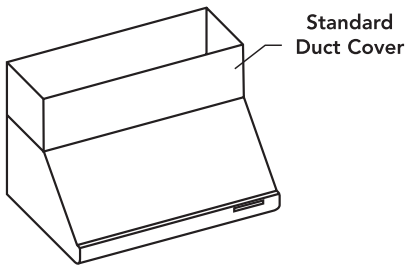
MASTERPIECE®



## OPTIONAL ACCESSORIES

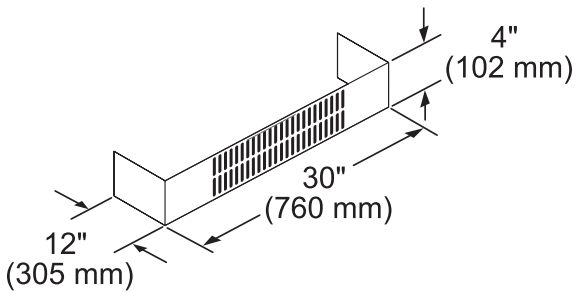
**30" WIDE DUCT COVER**  
DC30US 6" HIGH  
DCT30US 12" HIGH

Stainless steel duct cover for wall hood applications



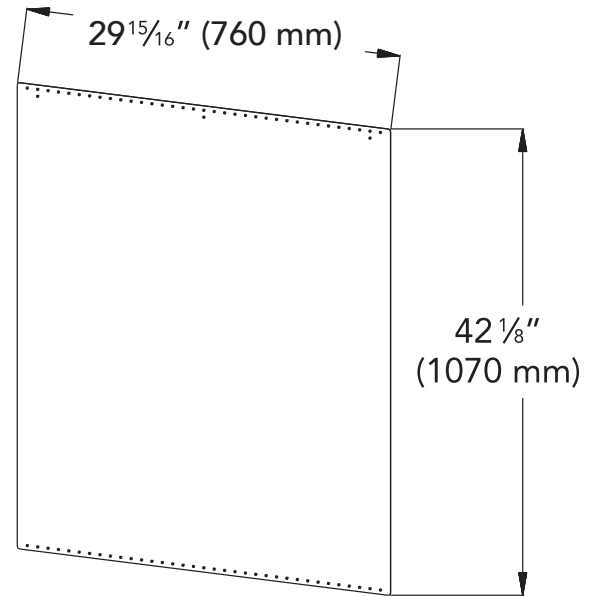
**RECIRCULATION KIT**  
RECIRC30FS 30" WIDE

- Stainless steel finish
- Perfect for hard to duct installations
- Use with 600 CFM blowers only



measurements in inches and mm

**STAINLESS STEEL BACKSPLASH**  
PA30JBS 30" WIDE



**REPLACEMENT CHARCOAL FILTERS**  
CHFILT3036

For use with Recirculation Kit RECIRC\_FS

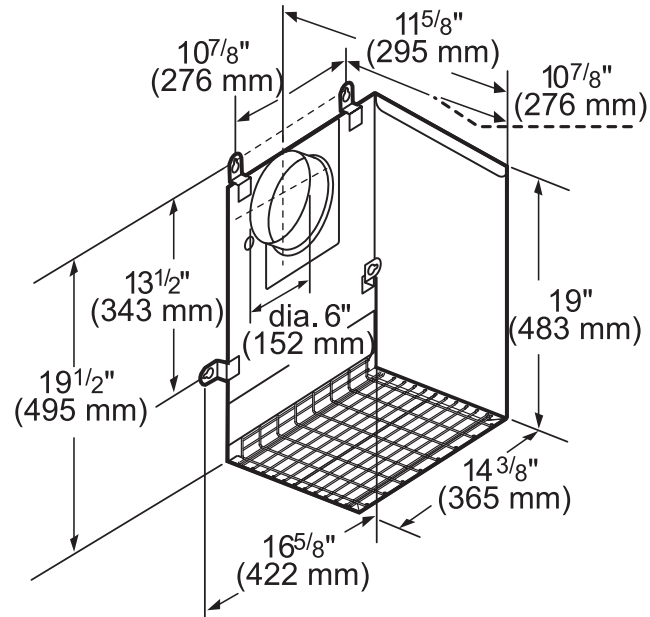
# HMWN30FS WALL HOOD (30-INCH WIDTH)

MASTERPIECE®



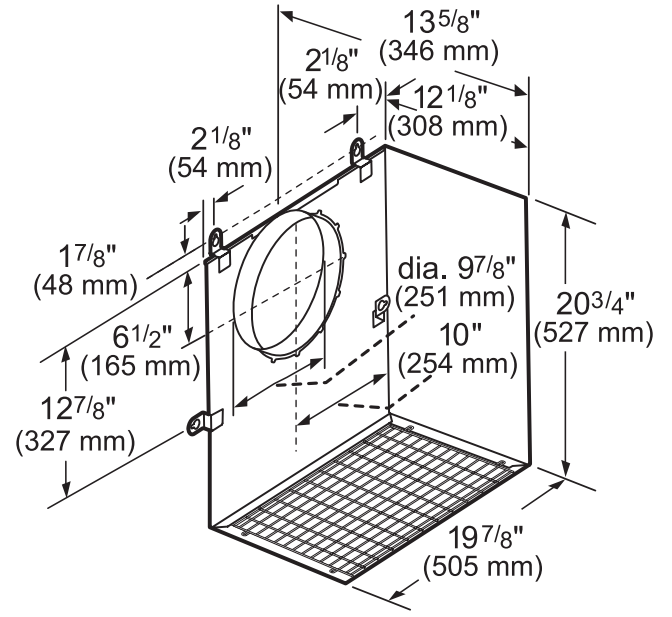
## REMOTE BLOWERS (MOUNTED TO ROOF OR EXTERNAL WALL)

### VTR630D-600 CFM



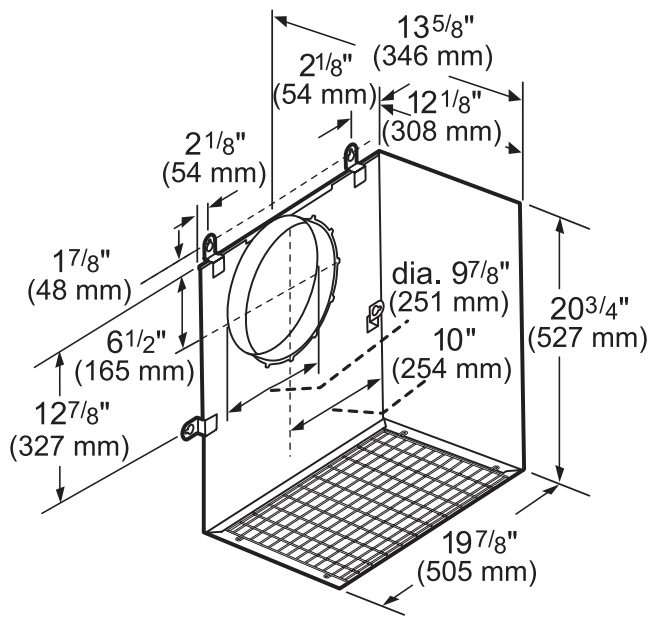
measurements in inches and mm

### VTR1030D-1000 CFM



measurements in inches and mm

### VTR1330E-1300 CFM



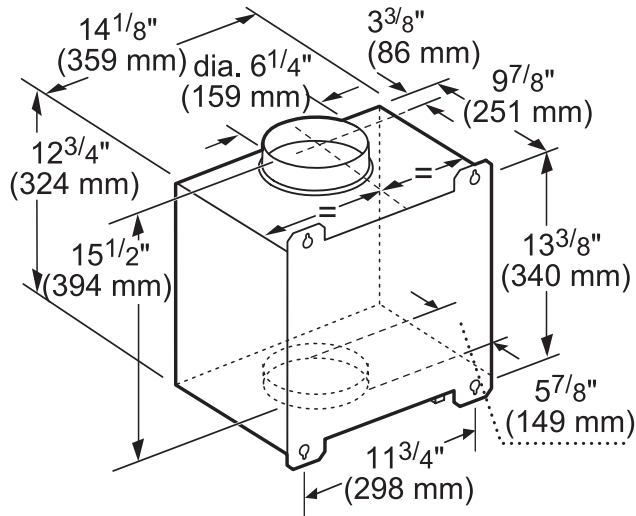
measurements in inches and mm

**HMWN30FS**  
**WALL HOOD (30-INCH WIDTH)**  
**MASTERPIECE®**



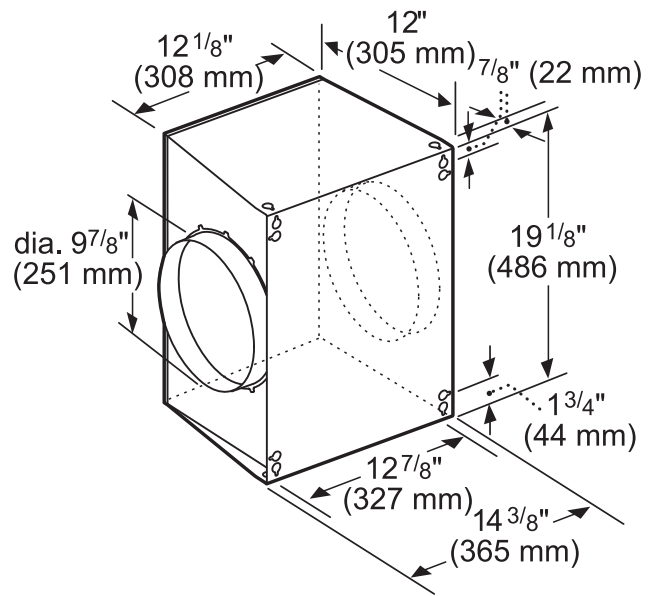
**INLINE BLOWERS (MOUNTED BETWEEN KITCHEN AND EXTERNAL WALL)**

**VTI610D-600 CFM**



measurements in inches and mm

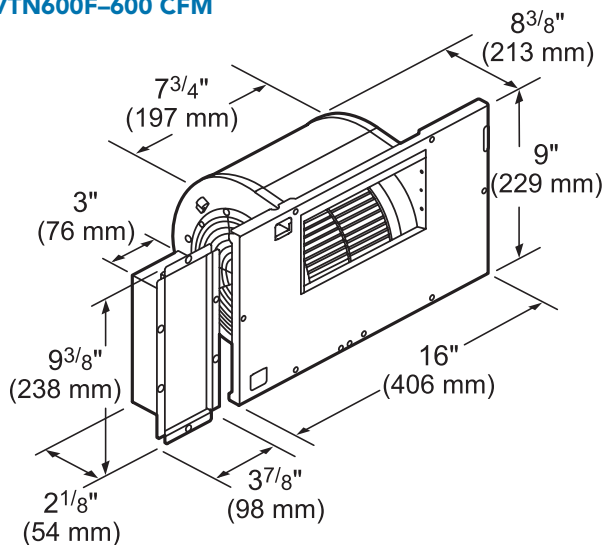
**VTI1010D-1000 CFM**



measurements in inches and mm

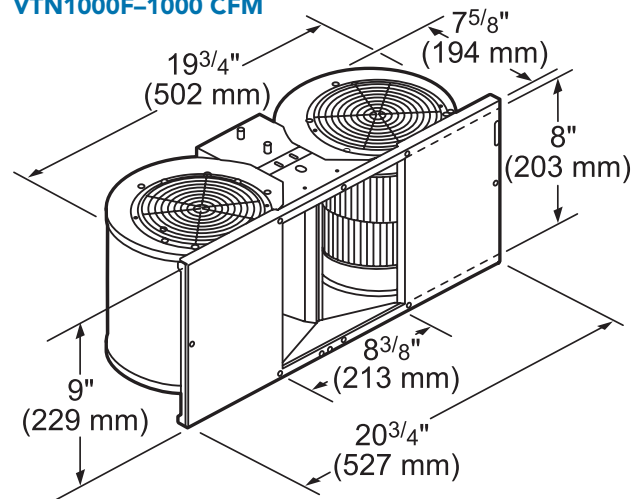
**INTEGRATED BLOWERS (MOUNTED IN HOOD)**

**VTN600F-600 CFM**



measurements in inches and mm

**VTN1000F-1000 CFM**



measurements in inches and mm

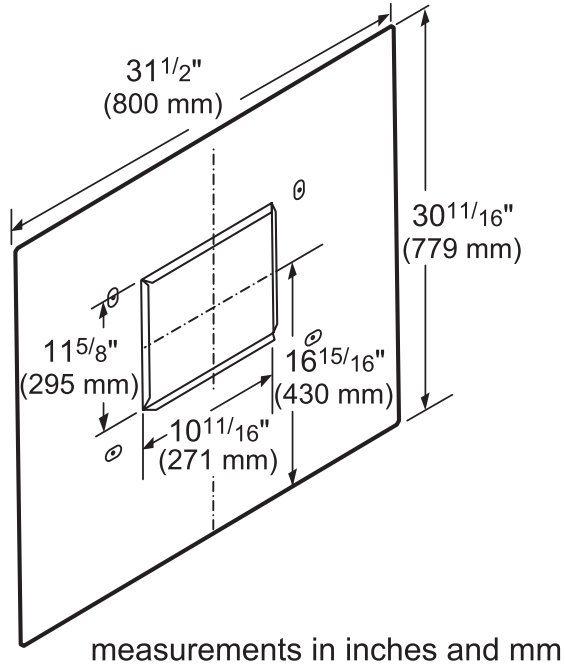
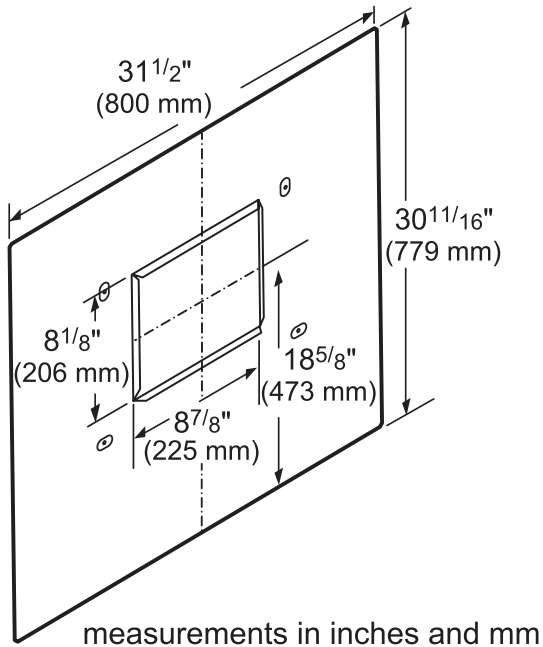
**HMWN30FS**  
**WALL HOOD (30-INCH WIDTH)**  
**MASTERPIECE®**



**REMOTE BLOWER ACCESSORIES**

**ROOFPLATE RFPLT600**

**ROOFPLATE RFPLT1000**



These warranties give you specific legal rights and you may have other rights that vary from state to state. Full warranty and limited warranty from date of installation. For complete warranty details, refer to your Use & Care manual, or ask your dealer.

Specifications are for planning purposes only. Refer to installation instructions and consult your countertop supplier prior to making counter opening. Consult with a heating and ventilation engineer for your specific ventilation requirements. For the most detailed information, refer to installation instructions accompanying product or write to Thermador indicating the model number. Specifications are correct at time of printing. Thermador reserves the right to change product specifications or design without notice. Some models are certified for use in Canada. Thermador is not responsible for products that are transported from the U.S. for use in Canada.