

VENTILATION INSTALLATION MANUAL

MODELS: HMWN30
HMWN36
HMWN48

Thermador® | *An American Icon*®

LI3J1A Ed. 08/08

**APPROVED FOR RESIDENTIAL APPLIANCES
FOR RESIDENTIAL USE ONLY
READ AND SAVE THESE INSTRUCTIONS**

PLEASE READ ENTIRE INSTRUCTIONS BEFORE PROCEEDING.

INSTALLATION MUST COMPLY WITH ALL LOCAL CODES.

IMPORTANT: Save these Instructions for the Local Electrical Inspector's use.

INSTALLER: Please leave these Instructions with this unit for the owner.

OWNER: Please retain these instructions for future reference.

Safety Warning: Turn off power circuit at service panel and lock out panel, before wiring this appliance.

Requirement: 120 V AC, 60 Hz. 15 or 20 A Branch Circuit



IMPORTANT SAFETY INSTRUCTIONS

Read All Instructions Before Using the Appliance.
READ AND SAVE THESE INSTRUCTIONS

WARNING

TO REDUCE THE RISK OF FIRE, ELECTRIC SHOCK, OR INJURY TO PERSONS, OBSERVE THE FOLLOWING:

- A.** Use this unit only in the manner intended by the manufacturer. If you have questions, contact the manufacturer.
- B.** Before servicing or cleaning the unit, switch power off at service panel and lock service panel disconnecting means to prevent power from being switched on accidentally. When the service disconnecting means cannot be locked, securely fasten a prominent warning device, such as a tag, to the service panel.
- C.** Installation Work and Electrical Wiring Must Be Done By Qualified Person(s) In Accordance With All Applicable Codes & Standards, Including Fire-rated Construction.
- D.** Sufficient air is needed for proper combustion and exhausting of gases through the flue (chimney) of fuel burning equipment to prevent back-drafting. Follow the heating equipment manufacturers guideline and safety standards such as those published by the National Fire Protection Association (NFPA), the American Society for Heating, Refrigeration and Air Conditioning Engineers (ASHRAE), and the local code authorities.
- E.** When cutting or drilling into wall or ceiling, do not damage electrical wiring and other hidden utilities.
- F.** Ducted systems must always be vented to the outdoors.

CAUTION
FOR GENERAL VENTILATING USE ONLY. DO NOT USE TO EXHAUST HAZARDOUS OR EXPLOSIVE MATERIALS OR VAPORS.

CAUTION
To reduce risk of fire and to properly exhaust air, be sure to duct air outside - do not vent exhaust air into spaces within walls, ceilings, attics, crawl spaces, or garages.

WARNING
TO REDUCE THE RISK OF FIRE, USE ONLY METAL DUCT WORK.

Install this hood in accordance with all requirements specified.

WARNING
To Reduce The Risk of Fire or Electric Shock, Do Not Use This Hood With Any External Solid State Speed Control Device.

OPERATION
a. Always leave safety grills and filters in place. Without these components, operating blowers could catch onto hair, fingers and loose clothing.

The manufacturer declines all responsibility in the event of failure to observe the instructions given here for installation, maintenance and suitable use of the product. The manufacturer further declines all responsibility for injury due to negligence and the warranty of the unit automatically expires due to improper maintenance.

This unit is manufactured for indoor use only. Do not use this unit outdoors.



IMPORTANT SAFETY INSTRUCTIONS

Read All Instructions Before Using the Appliance.
READ AND SAVE THESE INSTRUCTIONS

Electrical requirements

IMPORTANT

Observe all governing codes and ordinances.

It is the customer's responsibility:

To contact a qualified electrical installer.

To assure that the electrical installation is adequate and in conformance with National Electrical Code, ANSI/NFPA 70 — latest edition*, or CSA Standards C22.1-94, Canadian Electrical Code, Part 1 and C22.2 No.0-M91 - latest edition** and all local codes and ordinances.

If codes permit and a separate ground wire is used, it is recommended that a qualified electrician determine that the ground path is adequate.

Do not ground to a gas pipe.

Check with a qualified electrician if you are not sure range hood is properly grounded.

Do not have a fuse in the neutral or ground circuit.

IMPORTANT

Save Installation Instructions for electrical inspector's use.

The range hood must be connected with copper wire only.

The range hood should be connected directly to the fused disconnect (or circuit breaker) box through metal electrical conduit.

Wire sizes must conform to the requirements of the National Electrical Code ANSI/NFPA 70—latest edition*, or CSA Standards C22.1-94, Canadian Electrical Code Part 1 and C22.2 No. 0-M91 - latest edition** and all local codes and ordinances.

A U.L. - or C.S.A. - listed conduit connector must be provided at each end of the power supply conduit (at the range hood and at the junction box).

Copies of the standards listed may be obtained from:

* National Fire Protection Association Batterymarch Park
Quincy, Massachusetts 02269

** CSA International 8501 East Pleasant Valley Road
Cleveland, Ohio 44131-5575

Parts Included with your Hood


- Hood Canopy Assembly without blower
- Grease filters
- Drip tray for each filter.
- Drip trays holding brackets + plastic washers and knobs
- 1 Transition with back draft damper
- Use & Care / Installation Instructions
- Fittings bag with:
 - 4 Washers
 - 6 Drywall anchors
 - 2 Hooks with regulating screws
 - 6 Screws 5X35
 - 4 Screws for transition

Optional accessory

Duct covers only for 30" and 36"

Ductless recirculation kit available only for HMWN30 HMWN36 model.

Parts Not Included with your Hood

- Duct Tape
- 1/2" Conduit
- Wire Nuts
- Round Duct.
- Wiring clamp
-  **CAUTION!** Lamps are not supplied, use ONLY 120 Volt, 50 Watt (maximum) 50° halogen light made or a GU10 base, suitable for use in open luminaire .
- 4 #10 pan head wood screws for installation on a bottom of a cabinet
- 3 prong plug
- Blowers
See sections for integral ventilator installation and remote ventilator installation for more blower details.

Tools required

Flat blade and Phillips screwdrivers

Pencil and tape measure

Metal snips (in some applications)

Electric drill

Saw (saber or keyhole)

Pliers

Level

Caulking

Flashlight


Wire stripper

Safety glasses

Gloves

Step ladder

INSTALLING THE HOOD

- For the most efficient air flow exhaust, use a straight run or as few elbows as possible.
 -  **CAUTION:** Vent unit to outside of building, only.
- Two people are necessary for installation. On average 2 hours are necessary to complete installation (without considering cut to be done on wall and or on cabinet, installation of ducts, conduit and electrical connections to the mains). installation steps:
 - 11 installation steps are required for both installation methods
 - Wall mount installation steps or in alternative Cabinet installation
- The hood is fitted with Screws and Drywall Anchors suitable for most surfaces, consult a Qualified Installer, check if they perfectly fit with your cabinet/wall.
- Do not use flex ducting.
- **COLD WEATHER** installations should have an additional backdraft damper installed to minimize backward cold air flow and a nonmetallic thermal break to minimize conduction of outside temperatures as part of the ductwork. The damper should be on the cold air side of the thermal break. The break should be as close as possible to where the ducting enters the heated portion of the house.
- Make up air: Local building codes may require the use of Make-Up Air Systems when using Ducted Ventilation Systems greater than specified CFM of air movement. The specified CFM varies from location to location. Consult your HVAC professional for specific requirements in your area.

- Typical installation

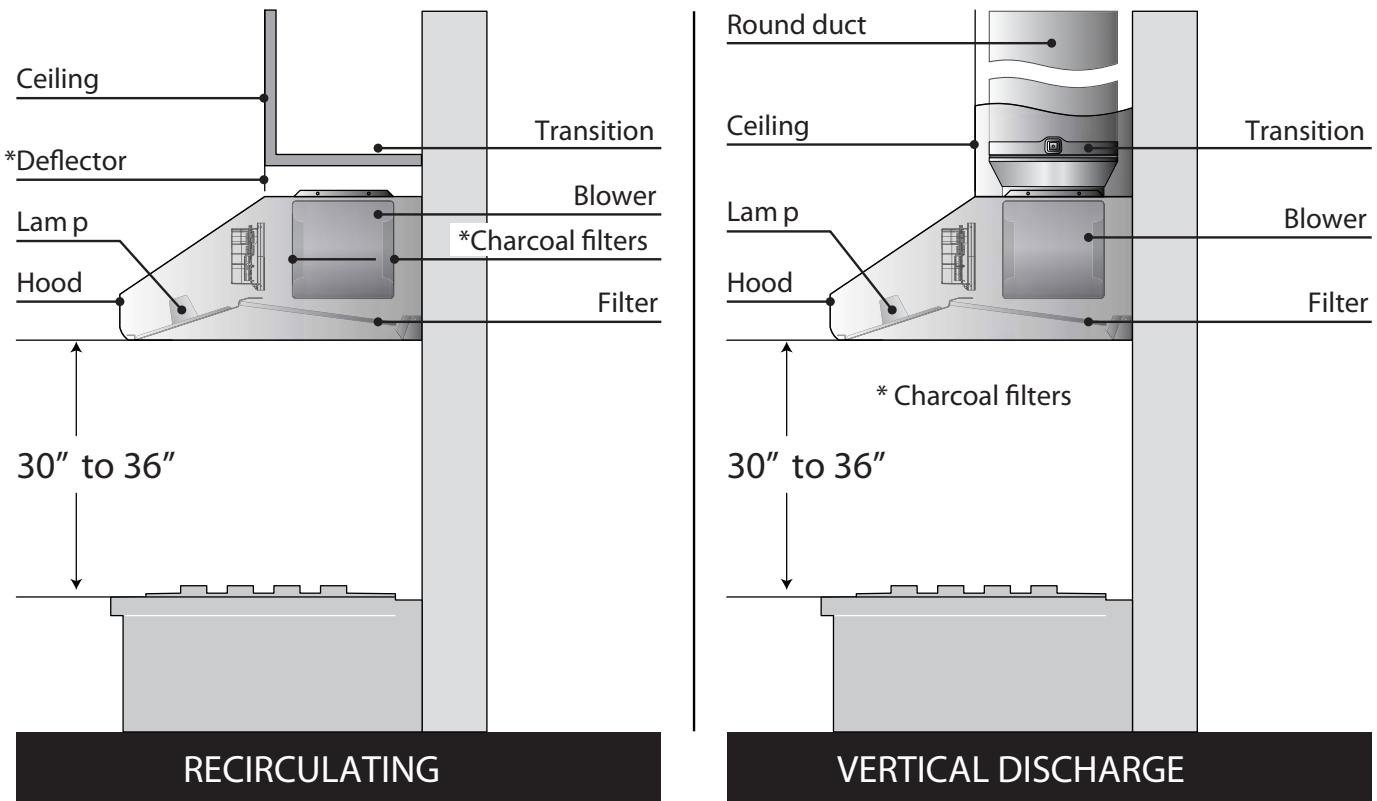
The height from the countertop to the bottom of the hood is 30" to 36".
 These hoods are not recommended to be used over indoor grills.

1. Choose vent options

The hood is designed to be used for vertical discharge as shown below.
 Note: see also Fig. 1-2-3 for Cabinet preparation.

Install a 1/2" conduit from the service panel long enough to reach the hood once it is installed. Power supply must be rated for 120 VAC, 60Hz. 15 or 20 A.

Examples of possible ducting



* Optional accessory - Ductless recirculation kit
 * Only for 30" and 36" using integral blower VTN600F

Table 1. Ventilator performance calculation

DUCT FITTINGS

Use this chart to compute maximum permissible lengths for duct runs to outdoors.

Note: Do not exceed maximum permissible equivalent lengths!

Maximum recommended duct length for these hoods: 150 feet

Flexible ducting:
If flexible metal ducting is used, all the equivalent feet values in the table should be doubled. The flexible metal duct should be straight and smooth and extended as much as possible.


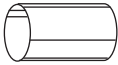



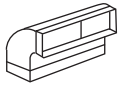
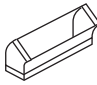
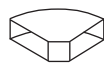
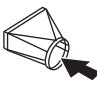
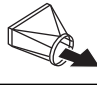
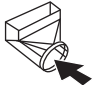


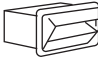


Do NOT use flexible plastic ducting.

Note: Any home ventilation system, such as a ventilation hood, may interrupt the proper flow of combustion air and exhaust required by fireplaces, gas furnaces, gas water heaters and other naturally vented systems. To minimize the chance of interruption of such naturally vented systems, follow the heating equipment manufacturer's guidelines and safety standards such as those published by NFPA and ASHRAE.

Hoods Are Equipped For 10" Round Duct

*Hoods are supplied with a 10" round transition. A locally supplied transition is required for other sizes.

Note: Outlet on top of hood is 8-1/8" x 8".

Duct Piece	Equivalent Length*	Quantit Used	Total Length
 10" round to 8" round	5 ft.		
 Round, straight	1 ft. (per foot length)		
 3-1/4" x 10" to 3-1/4" x 12" straight	1 ft. (per foot length)		
 90° elbow	8" Dia. 17 ft. 10" Dia. 24 ft.		
 45° elbow	8" Dia. 10 ft. 10" Dia. 14 ft.		
 3-1/4" x 12" to 3-1/4" x 10" 90° elbow	15 ft. 14 ft.		
 3-1/4" x 10" to 3-1/4" x 12" 45° elbow	8 ft. 9 ft.		
 3-1/4" x 10" to 3-1/4" x 12" 90° flat elbow	33 ft. 36 ft.		
 10" round transition to 3-1/4" x 10" or 3-1/4" x 12"	9 ft.		
 3-1/4" x 10" or 3-1/4" x 12" to 10" round transition	6 ft.		
 10" round to 3-1/4" x 10" to 3-1/4" x 12" transition	16 ft. 13 ft.		
 90° elbow	9 ft. 8 ft.		
 Round wall cap with damper	8" Dia. 32 ft. 10" Dia. 41 ft.		
 3-1/4" x 10" wall cap with damper	24 ft.		
 3-1/4" x 12" wall cap with damper	26 ft.		
 Round roof cap	8" Dia. 44 ft. 10" Dia. 56 ft.		

Total Duct Run _____

TABLE 2. DUCTWORK INSTALLATION GUIDELINES

For safety reasons, ducting should vent directly outdoors (not into an attic, underneath the house, into the garage or into any enclosed space).

Keep duct runs as short and straight as possible.

Duct fittings (elbows and transitions) reduce air flow efficiency.

Back to back elbows and "S" turns give very poor delivery and are not recommended.

A short straight length of duct at the inlet of the remote blower gives the best delivery.

Transition to duct from the integral blower to remote duct transition as close as possible.

In order of preference, use:

- 1st. 10" round duct
- 2nd. 8" round duct
- 3rd. 3-1/4" x 14" duct
- 4th. 7" round duct
- 5th. 3-1/4" x 10" duct
- 6th. 6" round duct

The use of flexible metal round duct should only be used when no other duct fitting exists. Limit use to short lengths and do not crush when making corners.

1. Prepare duct and conduit cut outs, see figures 1 and 2 as needed.

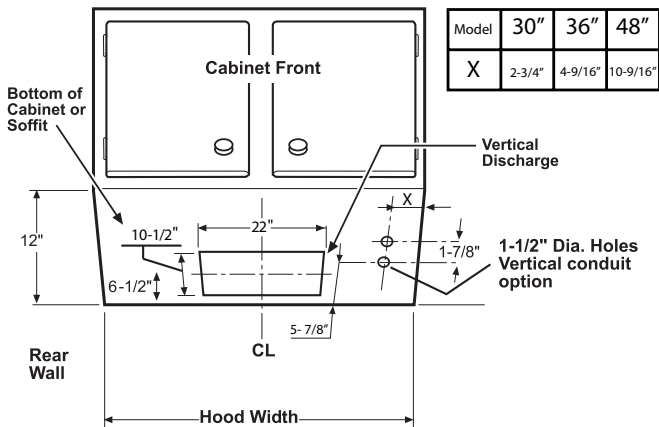


Figure 1

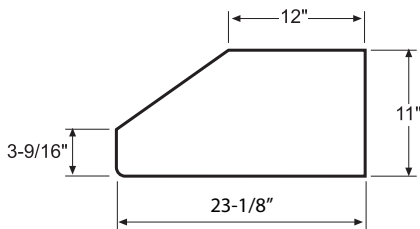


Figure 2

2. Assembly of the 10" transition:
The transition supplied with the hood mounts to the top.

Do not install transition until hood is fixed on cabinet or wall.

- a. Place the transition piece over the hood outlet and secure with 4 screws provided. (Figure 3)
- b. Wrap all joints (metal transition and hood) with duct tape for an airtight seal.
- c. Remove tape holding damper.

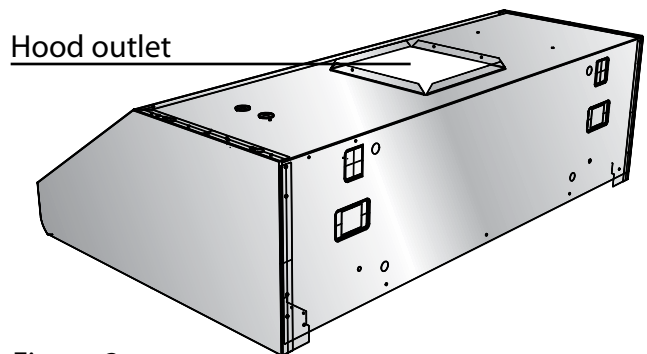
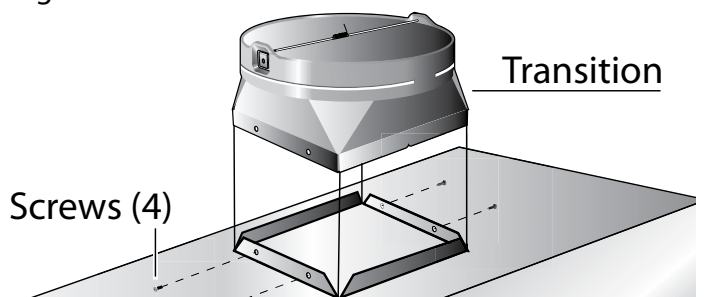


Figure 3



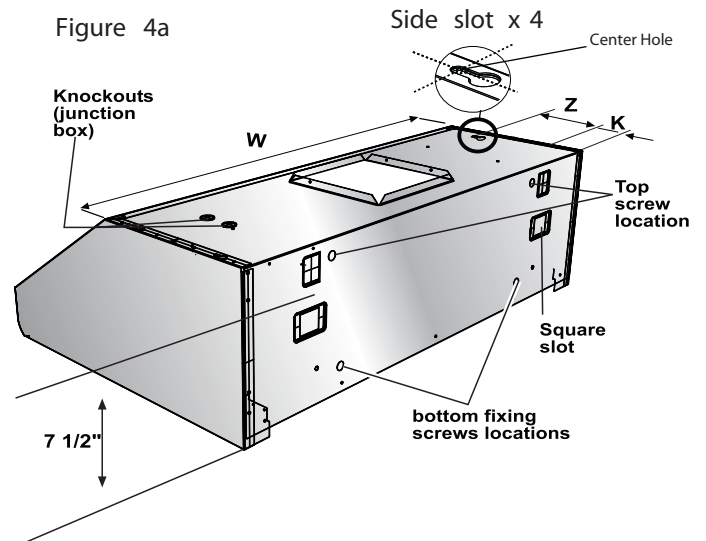
Wall Mount Installation

Note: see below if cabinet installation is preferred

- After the hood installation height has been determined draw a horizontal line at a distance above the cooktop equal to the desired hood installation height plus 7- 1/2". See also Figure 4a.
- Find the centerline of the cooktop. Draw a vertical line along this centerline up to the horizontal line drawn in step 1 and draw a vertical line right and left at a distance of 12-5/8" to determine the mounting location of the mounting hooks shipped with the hood.
- Fit two mounting hooks on the wall to hang the hood through the provided slots (2 wall anchors + 2 hooks + 2 screws 5x35).
- Run 10" Duct, long enough to reach the transition once the hood has been installed plus 1 1/2" inch to connect ductwork. Fix Duct to transition with screws and seal with tape.
- Remove 1 of 2 knockouts and install 1/2" conduit connector in j-box.
- Hang the hood and adjust its position through the screws on the hooks.
- Fix the hood to 4 additional point, 2 on upside, 2 on lower side (use 4 wall anchors + 4 washers + 4 screws 5x35).

HOOD WIDTH	DIM. "W"	DIM. "K"	DIM. "Z"
30"	29 - 1/8"	2 - 1/2"	7 - 1/16"
36"	35 - 1/16"	2 - 1/2"	7 - 1/16"
48"	47 - 1/16"	2 - 1/2"	7 - 1/16"

Table 3



Cabinet Installation:

Note: See above if wall mount installation is preferred

Note: Distances on Table 3.3.

Find the centerline of the cabinet bottom. Draw a line along this centerline from rear to front of the cabinet. See also Figure 4b.

- Draw two lines, one at a K distance from the wall, the other one at a Z distance from the previous line. Mark 4 points, two along each line at a distance of half W from the center line, to determine the screw locations.
- Fit 4 screws on cabinet bottom do not tighten completely but leave a space of about 1/2" from cabinet bottom surface and head screws.
- Run 10" Duct, long enough to reach the transition once the hood has been installed plus 1 1/2" inch for connect ductwork.
- Remove 1 of 2 knockouts and install 1/2" conduit connector in j-box.
- Hang the hood on screws through side slots provided on hood top. Tighten the four screws. Note: If possible fix the hood on the wall at 4 additional point (2 on upper side, 2 on lower side).
- From the inside of the cabinet attach the transition on upper outlet.

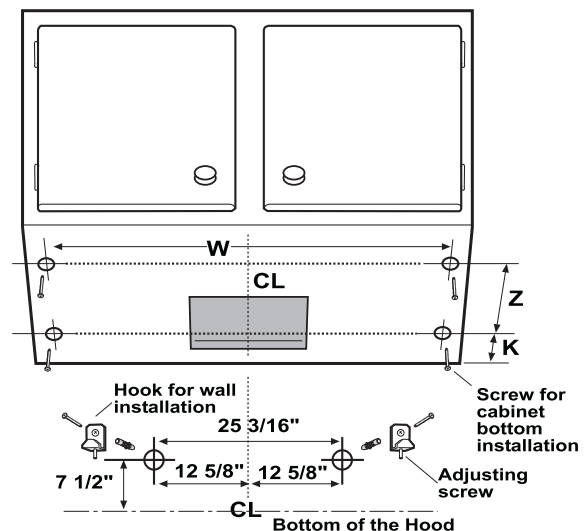


Figure 4b

Fix Duct to transition and seal with tape.
 For both installation method :

10. Wiring the HOOD:

! WARNING:
 To Avoid Electrical Shock Hazard
 Turn off power at the service
 panel before wiring this unit.
 120 VAC, 15 or 20 Amp circuit
 required.

ELECTRICAL GROUNDING INSTRUCTIONS
 THIS APPLIANCE IS FITTED WITH AN
 ELECTRICAL JUNCTION BOX WITH 3
 WIRES, ONE OF WHICH (GREEN/YELLOW)
 SERVES TO GROUND THE APPLIANCE.

! WARNING:
 TO PROTECT YOU AGAINST ELECTRIC SHOCK,
 THE GREEN AND YELLOW WIRE MUST BE
 CONNECTED TO THE GROUNDING WIRE IN
 YOUR HOME ELECTRICAL SYSTEM AND IT MUST
 UNDER NO CIRCUMSTANCE BE CUT OR REMOVED

Failure to do so can result in death or
 electrical shock.

INTEGRAL VENTILATOR
 INSTALLATION Models VTN600F & VTN1000F
 The Integral ventilator can be mounted to
 discharge air as show on figure 3 and 4b at page 9.
 It must be fixed through the slots of the ventilator
 and pins with nuts of the hood.
 Tighten the two nuts.

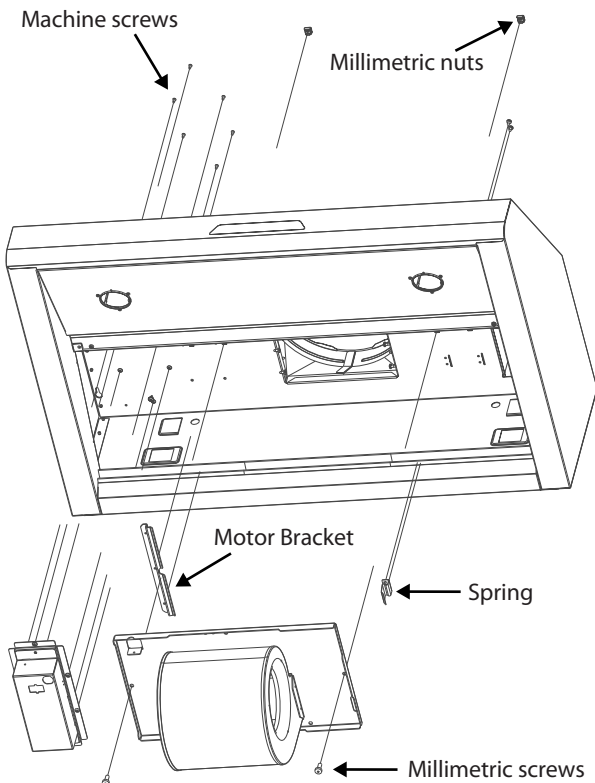


Figure 5a

The integral motor blowers should be installed to the
 hood with the hardware provided (Machine screws,
 millimetric screws, millimetric nuts, motor bracket and
 spring) in the VTN600F and VTN1000F hardware bags.

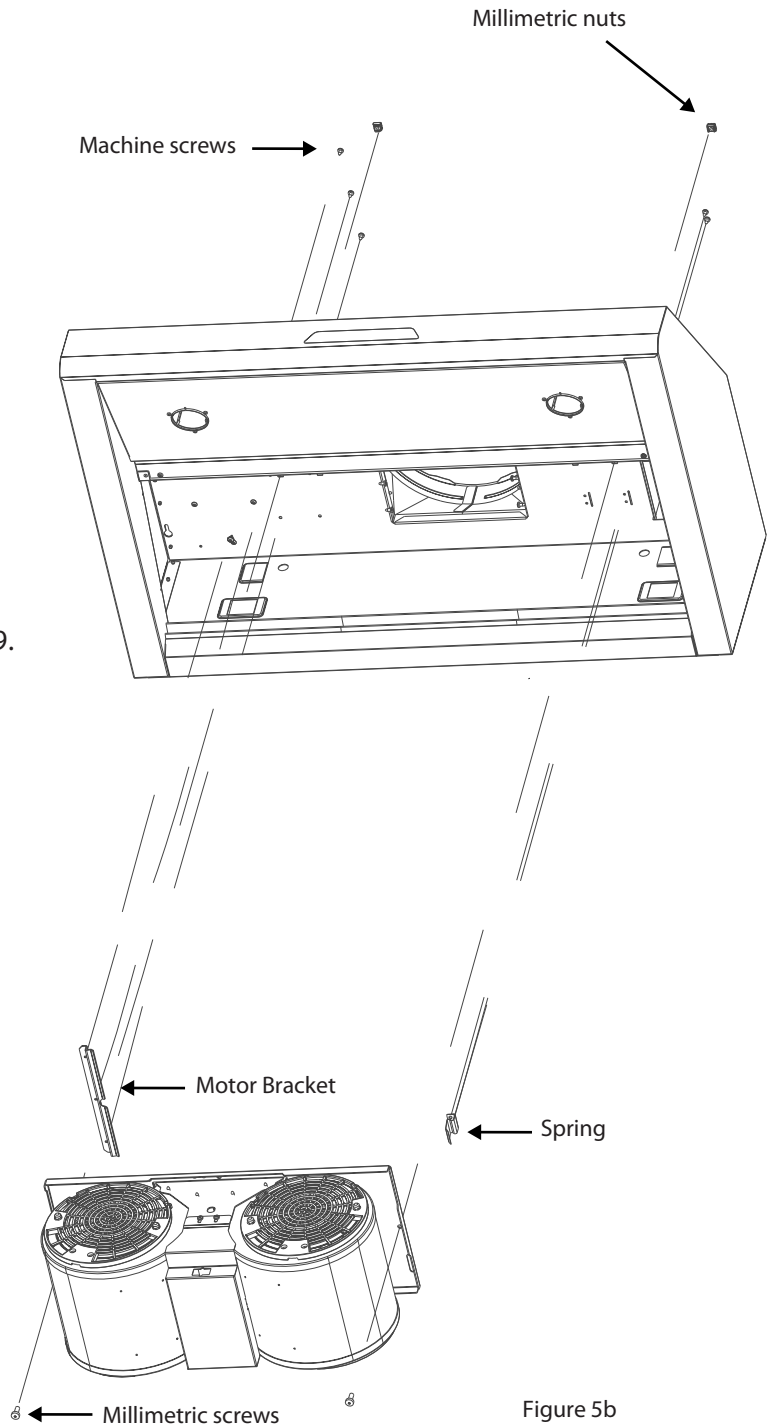


Figure 5b

Install these components as is shown in the
 picture 5a for VTN600F and 5b for VTN1000F.

Wiring the HOOD with an Integral Ventilator:

Warning: Turn off electricity at the service panel before wiring the unit.

1. Connect the Integral Ventilator moxex plug connector to the connector present inside the hood as shown in Figure 6.
2. Remove the j-box cover as shown in Figure 7.
3. Remove 1 of 2 knockouts and install 1/2" conduit connector in j-box.
4. Run black, white, and green wires (#14 AWG) in 1/2" conduit from power supply to j-box.
5. Connect black, white, and green wires from power supply to black, white, and green/yellow wires in j-box respectively.
6. Close j-box coover.
7. Turn power on at service panel. Check operation of the hood.

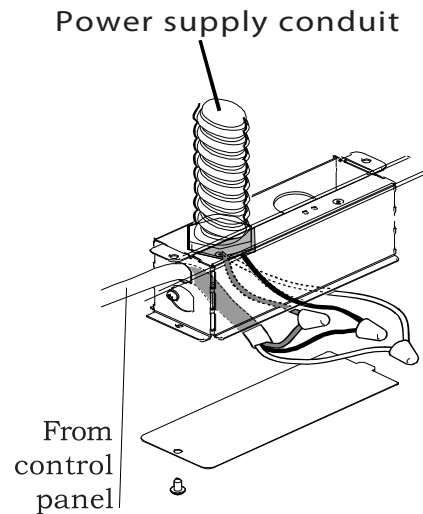


Figure 7

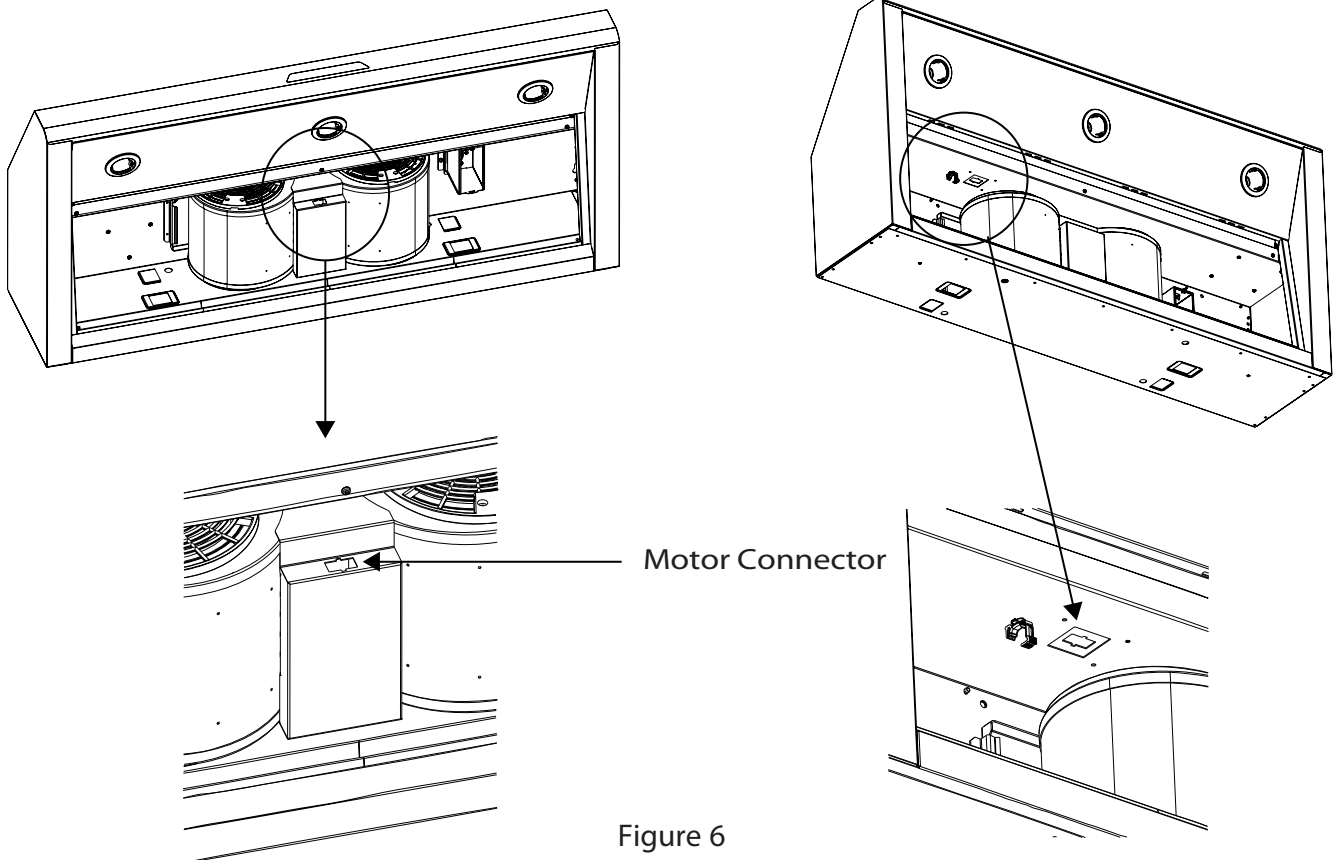


Figure 6

REMOTE VENTILATOR INSTALLATION

HMWN30/36/48 Series Hood:
The hood is designed to work with Thermador's remote and in line ventilator rated with a maximum current absorption of 8.5 Amp. (see list under paragraph "Parts Not Included with your Hood") For installation instructions see the instructions supplied with the ventilator unit.

Wiring the Hood with a Remote or in line Ventilator:

Warning: Turn off electricity at the service panel before wiring the unit.

1. Remove the j-box cover as shown in Figure 8.
2. Remove cover T from the j-box.
3. Remove the 2 knockouts and install 1/2" conduit connectors.
4. Run black, white, and green wires (#14AWG) in 1/2" conduit
5. Connect black, white, and green

green wires from power supply to black, white and green/ yellow wires in j-box respectively.

6. Connect wire clamp to "pigtail" as shown in Figure 12. Insert "pigtail" wire into j-box and fix wire clamp to j-box using nut supplied with clamp V.
7. Run five wires (14AWG) in 1/2" conduit from the remote blower to the second conduit connector.
8. Connect the wires coming from pigtail to the wires from external blower according with the following table.
9. Close junction box cover. Check that all light bulbs are secure in the sockets. Install filters. Turn power on at service panel, and check lights and blower operation per Care & Use section of this manual.

ELECTRICAL PIGTAIL DETAILS

The pigtail is configured to be connected as is described in the following table.

FUNCTION	COLOR
Speed 1	Red
Speed 2	Blue
Speed 3	Orange
Speed 4	Brown
Common	White

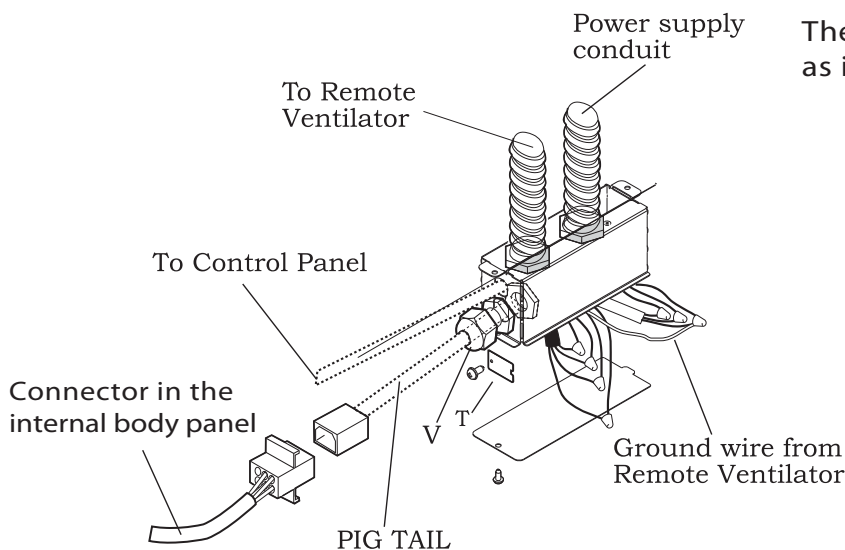


Figure 8

Final installation steps

11. Install grease filters, lamps and drip trays as described in the Care & Use section of this manual.

Note: Lamps are not supplied, use ONLY 120 Volt, 50 Watt (maximum) 50° halogen light made for GU10 base, suitable for use in open luminaire. Turn power on at service panel.

Check operation of the hood.



IMPORTANTES INSTRUCTIONS DE SÉCURITÉ

VEUILLEZ LIRE ENTIÈREMENT CES INSTRUCTIONS AVANT DE PROCÉDER DE L'UTILISATION DE VOTRE APPAREIL.
VEUILLEZ LIRE ET CONSERVEZ SOIGNEUSEMENT CES INSTRUCTIONS



ATTENTION

POUR RÉDUIRE LE RISQUE D'INCENDIE, DE CHOC ÉLECTRIQUE OU DE BLESSURES, VEUILLEZ OBSERVER LES INDICATIONS SUIVANTES :

A. N'utiliser l'appareil que conformément aux instructions du constructeur: ne pas se conformer aux instructions peut s'avérer dangereux et annuler la garantie. Si vous avez des questions, n'hésitez pas à prendre contact avec le fabricant.

B. Avant toute intervention sur votre appareil, mettez le bouton d'allumage en position OFF. Veillez à toujours débrancher le câble d'alimentation électrique avant de procéder à toute réparation ou nettoyage de votre appareil. Lorsqu'il n'est pas possible de débrancher le câble d'alimentation électrique, veillez à installer sur le tableau de commande (par exemple), une signalétique d'avertissement bien visible, telle qu'une étiquette de couleur rouge ou jaune contenant des indications de sécurité.

C. Les Travaux d'installation de l'appareil, installation électrique incluse, doivent être réalisés par du personnel qualifié, ceci de conformité avec les normes et diverses réglementations en vigueur.

D. Afin d'éviter tout retour de fumées ou autres vapeurs de cuisson, il est nécessaire qu'il existe un flux d'air suffisant passant au travers de la hotte. Observez les instructions du fabricant de votre appareil de cuisine (gaz ou électrique) tels que ceux publiés par la National Fire Protection Association (NFPA), the American Society for Heating, Refrigeration and Air conditioning Engineers (ASHRAE), ainsi que la réglementation locale de votre lieu de résidence (lieu où est utilisé l'appareil).

E. Lorsque vous percez ou effectuez une rainure dans un mur, veillez à ne pas endommager l'installation électrique, ainsi que tout autre installation qui s'y trouve occulte.

F. Les conduits de ventilations doivent toujours aboutir à l'extérieur de votre résidence.

ATTENTION
PRUDENCE

APPAREIL DESTINÉ UNIQUEMENT À DES FINS DE VENTILATION GÉNÉRALE EN USAGE DOMESTIQUE. AFIN D'ÉVITER TOUT RISQUE D'EXPLOSION, NE PAS UTILISER POUR VENTILER OU EXTRAIRE DES VAPEURS OU FUMÉES PROVENANT DE SUBSTANCES DANGEREUSES OU EXPLOSIVES .

PRUDENCE

Afin de réduire tout risque d'incendie et d'extraire correctement les fumées et vapeurs, veillez à brancher les conduits de la hotte vers l'extérieur de votre résidence. Ne pas évacuer les fumées et vapeurs de cuisine vers les colonnes sèches, les espaces existant entre deux murs, les espaces sous plancher ou des greniers.

ATTENTION

POUR RÉDUIRE LE RISQUE D'INCENDIE, LORS DE L'INSTALLATION DE CONDUITS DE RACCORDEMENT ET D'EXTRACTION, N'UTILISER QUE DES CONDUITS MÉTALLIQUES.

Installer la hotte en suivant toutes les indications et spécifications nécessaires et réglementaires.

ATTENTION

Afin d'éviter tout risque d'incendie ou de choc électrique, ne pas utiliser cet appareil avec un dispositif de programmation ou de contrôle de la vitesse de fonctionnement.

OPÉRATION

a. Ne jamais retirer les grilles d'écoulement ou les filtres à graisses.

Sans ces dispositifs, les ventilateurs peuvent attraper au vol certaines parties de votre corps (cheveux, doigts) ou de vos vêtements.

Le fabricant décline toute responsabilité dans le cas où les instructions d'installation, entretien et utilisation, fournies avec l'appareil ne seraient pas observées.

Le fabricant décline également toute responsabilité relative aux blessures produites à la suite de négligences de la part de l'utilisateur et signale que la garantie de l'appareil ne sera plus valable dans le cas où l'appareil n'est pas correctement entretenu et/ou réparé.



IMPORTANTES INSTRUCTIONS DE SECURITÉ

VEUILLEZ LIRE ENTIÈREMENT CES INSTRUCTIONS AVANT DE PROCÉDER
À L'UTILISATION DE VOTRE APPAREIL.

VEUILLEZ LIRE ET CONSERVEZ SOIGNEUSEMENT CES INSTRUCTIONS

Spécifications pour l'installation électrique IMPORTANT

Observez toutes les normes et réglementation en vigueur.

Il est de la responsabilité du client :

De faire installer l'appareil par un électricien dûment qualifié.

De s'assurer que que l'installation électrique est adaptée au branchement de l'appareil et qu'elle est conforme à la réglementation électrique nationale (National Electrical Code), ANSI/NFPA 70 – latest edition, ou CSA Standards C 22.1-94, Canadian Electrical Code, part 1 et C 22.2 No M91 – latest edition** ainsi que toute norme et réglementation locale en vigueur.

Dans le cas où la réglementation permette l'usage d'une ligne de terre séparée, et dans le cas où l'installation électrique du lieu le permet, il est nécessaire d'avoir recours à un électricien qualifié afin qu'il détermine si le chemin de câblage à la terre est adéquat.

Ne pas brancher la terre à une bouteille ou citerne de gaz.

Veillez faire vérifier votre installation par un électricien qualifié si vous n'êtes pas absolument sûr que le branchement à la terre de votre appareil est correctement faite.

Ne pas brancher la terre à une bouteille ou une citerne de gaz.

Veillez consulter un technicien dûment qualifié si vous n'êtes pas sûr que la hotte est correctement branchée à la terre.

Veillez à ne pas avoir de fusibles installés sur la ligne d'alimentation neutre ou sur la ligne de terre

IMPORTANT

Conservez le présent instructif pour votre Inspecteur Local d'Électricité.

Les fils électriques avec lesquels la hotte sera branchée au réseau électrique doivent être uniquement composés de cuivre.

L'appareil devra être branché directement au disjoncteur ou tableau de fusibles au moyen de conduits électriques métalliques.

Le calibre des câbles de branchement doit respecter les spécifications de la norme « National Electrical Code » ANSI/NFA70 – latest edition*, ou de la CSA** Standards C 22.1-94, Canadian Electrical Code Part 1 and C 22.2 No 0-M91 – latest edition, ainsi que toutes les normes et réglementations en vigueur.

Il est nécessaire d'installer des connexions de conduits conformes aux normes A UL ou CSA chaque extrémité du branchement (au niveau de l'appareil et au niveau de la boîte de connexion).

(Vous pouvez obtenir des copies des standards et normes électriques ci-dessus mentionnés auprès de :

*National Fire Protection Association, Batterymarch Park
Quincy, Massachusetts 02269

**CSA International 8501 East Pleasant Valley Road
Cleveland, Ohio 44131-5575.)

Pièces fournies avec votre hotte.

- Cloche de hotte avec ventilateurs pré-installés.
- Filtres à graisses.
- Grille d'écoulement.
- Molettes de fixation des grilles d'écoulement et boutons en plastique.
- Une connexion de ventilation ronde.
- Manuels d'installation et d'entretien.
- Un Sachet d'accessoires contenant
- 4 rondelles.
- 6 chevilles.
- 2 crochets avec visse réglables.
- 6 visses 5x35.
- 4 visses 2,9,6,5, pour connexion

Accessoires optionnels

Couvre-conduits

Un kit de recyclage d'air sans conduit est disponible pour le modèle HMWN30 HMWN36

Pièces non fournies avec votre hotte :

- Joint de conduit
- Conduit de 1/2".
- E crous de connexion électrique.
- Agrafes / fixations de câblage électrique



ATTENTION : Les lampes ne sont pas fournies, UTILISER UNIQUEMENT des lampes hallogènes de 120 VOLTS d'une puissance de 50 Watts (maximum) à 50 degrés ou à base GU10, adaptée à l'utilisation en luminaire ouvert

• 4 visses • 10 à bois à tête fraisée pour installation sur le fond d'un meuble.

Outils nécessaires :

- Tournevis plat et tournevis de type Philips.
- Crayon et décimètre (un mètre).
- Pincettes coupantes pour métal (pour certaines tâches)
- Une perceuse électrique
- Une Scie (scie sauteuse ou de type trou de serrure).
- Des pincettes
- Un niveau
- Un burin
- Du ruban isolant
- Une lampe électrique
- Une pince à dénuder les câbles
- Des lunettes de sécurité
- Des gants
- Une échelle

INSTALLATION DE LA HOTTE

• Pour obtenir un maximum d'efficacité en extraction de fumées et vapeurs de cuisson, utiliser un conduit le plus droit possible, avec le minimum de coudes et autre type de connexions possibles.



PRUDENCE : ventiler uniquement vers l'extérieur du bâtiment.

- Il faut une personne pour réaliser l'installation.
- Il faut en moyenne 2 heures pour réaliser l'installation (sans compter les ajustements qu'il peut falloir réaliser au niveau du mur ou du meuble, ni l'installation des conduits d'évacuation ou celle des conduits électriques qui permettront le raccordement au réseau électrique principal).

Etapes de l'installation :

- Il faut compter 11 étapes d'installation quelque soit la méthode envisagée: sur mur ou sur meuble.
- L'appareil est accompagné de visses et de chevilles adaptées à la plupart des surfaces possibles d'installation, néanmoins, veuillez consulter un technicien ou installateur qualifié afin de vérifier leur adéquation à votre surface

• Ne pas utiliser de conduit d'évacuation flexibles.

• **BASSES TEMPERATURES**: Il est recommandé d'installer un réducteur de connexion supplémentaire, afin de réduire les éventuels retours d'air ainsi qu'un amortisseur thermique non métallique (joint non métallique au niveau des réducteurs et connexions) afin de minimiser l'échange de température intérieure/extérieure. Le réducteur devra être installé du côté « extérieur » de l'amortisseur thermique, lequel doit se trouver le plus proche possible du point où le conduit d'évacuation entre dans la zone chauffée de la maison.

• **Systèmes de ventilation** : La réglementation en vigueur dans votre lieu de résidence peut exiger l'utilisation de système de ventilation résidentiel additionnel lorsque vous utilisez des appareils de ventilation/extraction d'air qui requièrent l'installation de conduits d'évacuation et dont la puissance est supérieure aux spécifications CFM de courants d'air. Les normes et spécifications CFM varient selon le lieu de résidence : consultez votre professionnel HVAC pour connaître les normes et spécifications applicables à votre lieu de résidence.

Installation typique

La hauteur entre le plan de travail de votre cuisine et la ligne inférieure de la hotte soit osciller entre 24 et 30 pouces. Il n'est pas recommandé d'utiliser ce type de hotte aspirante au-dessus d'un grill d'intérieur.

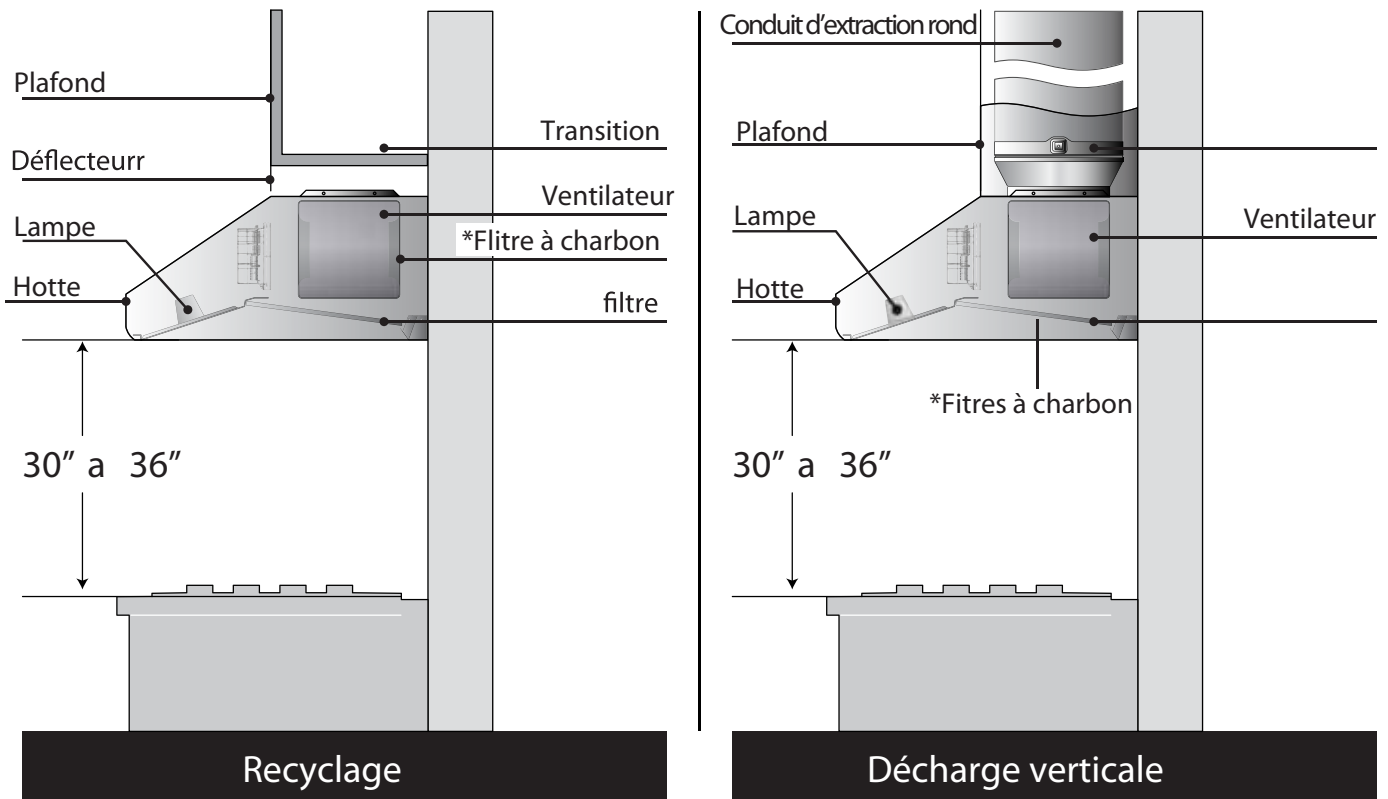
1. Choisissez le type de ventilation désirée.

La hotte a été conçue pour être utilisée directement en extraction verticale tel que décrit sur la figure ci-dessous.

Note: voir également Fig. 1-2-3 pour la préparation de l'installation sur meuble.

Installez un conduit de 1/2 pouces à partir du panneau de service et suffisamment long pour arriver jusqu'à la hotte une fois installée. L'alimentation électrique doit correspondre aux spécifications suivantes : 120 V AC, 60 Hz. 15 ou 20 A.

Exemples de possibles types d'extraction/evacuation



*Accessoire optionnel – kit de recyclage d'air sans conduit.

*Uniquement pour les 30 "et 36" avec le système de soufflerie intégrante VTN006F

Tabla 1. Calcul de performances de ventilation

Ajustage/dimensions

Utilisez ce tableau pour calculez les dimensions maximum autorisées pour la connexion de la hotte à l'extérieur.

Nota : ne pas dépasser les équivalences de dimensions maximale autorisées.

Longueur maximale de conduits autorisée pour ce type de hottes : 150 pieds.

Conduits flexibles :

Si vous utilisez des conduits en métal flexible, le conduit métallique doit être souple, droit et le plus déplié/étendu possible.


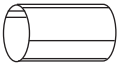
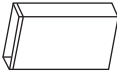


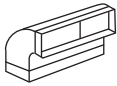
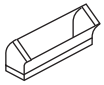
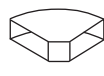

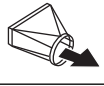



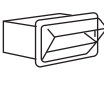

NE PAS UTILISER DE CONDUIT EN PLASTIQUE FLEXIBLE.

Note: Tout système de ventilation domestique, tel qu'une hotte aspirante peut interrompre le cours normal de la combustion de l'air ainsi que la ventilation naturelle que demandent des installations telles que des cheminées – à bois ou à gaz ou encore les cheminées de chauffe-eau. Afin de minimiser les risques d'interruption de la ventilation de ces systèmes, suivez les recommandations de sécurité et installation du fabricant ainsi que les normes et réglementation tels que celles publiées par la NFPA et la ASHRAE.

Ces hottes aspirantes doivent d'être équipées de conduits de 10 pouces.

*Ces hottes sont fournies avec des connexions/transitions rondes de 10 pouces. Il vous faudra vous procurer sur votre lieu de résidence toute connexion ou réducteur nécessaire pour effectuer l'adaptation à des conduits d'autres dimensions.

Note: la sortie qui se trouve sur le dessus de la hotte est de 8-1/8 pouce x (par) 8 pouces

Pieza	Largo equivalente*	Cantidad usada	Largo total
 10" rond a 8" rond	5 ft.		
 Rond droit	1 ft. (par pied de long)		
 3-1/4" x 10" 3-1/4" x 12" droit	1 ft. (par pied de long)		
 coude de connexion 90°	8" Dia. 17 ft. 10" Dia. 24 ft.		
 coude de connexion 45°	8" Dia. 10 ft. 10" Dia. 14 ft.		
 3-1/4" x 12" 3-1/4" x 10" coude 90°	15 ft. 14 ft.		
 3-1/4" x 10" 3-1/4" x 12" coude 45°	8 ft. 9 ft.		
 3-1/4" x 10" 3-1/4" x 12" coude plan 90°	33 ft. 36 ft.		
 transition ronde 10" de 3-1/4" x 10" o 3-1/4" x 12"	9 ft.		
 3-1/4" x 10" o 3-1/4" x 12" a 10"	6 ft.		
 Connexion ronde de 10" 3-1/4" x 10" coude 90° de 3-1/4" x 12"	16 ft. 13 ft.		
 transitions 3-1/4" x 10" 3-1/4" x 12" o rond de 10" coude de 90°	9 ft. 8 ft.		
 Calotte murale ronde avec atténuateur.	8" Dia. 32 ft. 10" Dia. 41 ft.		
 Calotte murale ronde avec atténuateur de 3-1/4" x 10" 3-1/4" x 12"	24 ft. 26 ft.		
 Calotte ronde pour le toit.			

Ducto Total _____

Table 2. Instructions d'installation des conduits

Pour des raisons de sécurité, l'extraction des fumées et vapeurs de cuisson doit se faire directement vers l'extérieur du bâtiment. Ne pas évacuer les fumées et vapeurs de cuisine vers les colonnes sèches, les espaces existant entre deux murs, les espaces sous plancher ou des greniers.

Faites en sorte que les conduits soit aussi court et droits que possible.

Les connexions et réducteurs de taille de conduit, réduise le volume d'air qui est évacué.

Les coudes de connexions en zigzag ainsi que les connexions en S rendent l'extraction de fumées et vapeurs de cuisson peu efficace et ne sont pas recommandées pour ce type de hotte aspirante.

Par ordre de préférence décroissante utilisez:

Un bout de conduit, court et droit juste au niveau de l'entrée d'air du ventilateur, permet d'obtenir les meilleurs résultats.

Il est recommandé que le passage du conduit au ventilateur se fasse le plus près possible de l'entrée de la hotte.

1. conduit rond de 10 pouces

2. conduit rond de 8 pouces

3. conduit de 3-1/4 x 14 pouces

4. conduit ronde de 7 pouces

5. conduit de 3-1/4 x 10 pouces

6. conduit rond de 6 pouces

N'utilisez de conduit métallique flexible que dans le cas où il n'y aurait aucun autre type de conduit métallique disponible. Limitez son utilisation à de courtes distances et veillez à ne pas l'écraser lorsque vous formerez un coude ou un coin.

1. Découpez les conduits aux mesures appropriées pour votre installation..

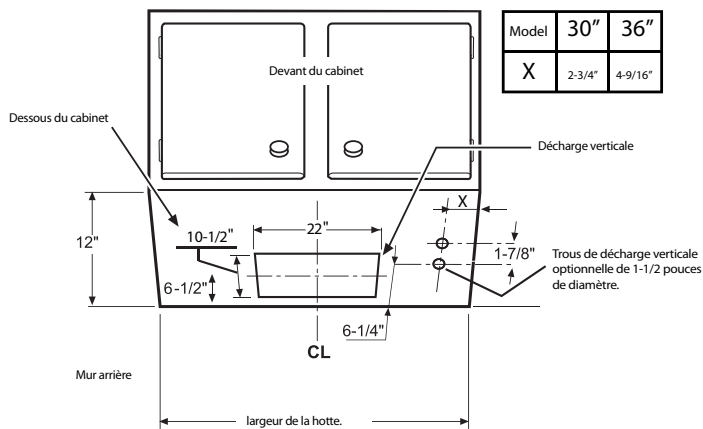


Figure 1

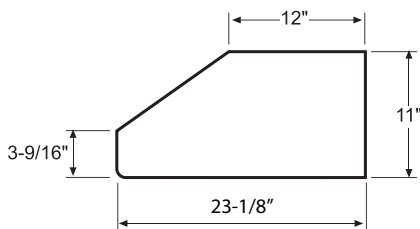


Figure 2

2. Montez/assemblez les connexion/transition de 10 pouces: la connexion qui est fournie avec la hotte doit être installée sur le dessus.

Ne pas installer cette connexion avant d'avoir fixé la hotte sur le mur ou le meuble auquel elle est destinée.

a. Montez la connexion /transition sur la sortie d'air de la hotte et fixée-la au moyen des 4 vis qui sont fournies. (Figure 3).

b. Enveloppez tous les joints (transition métallique et hotte) avec du ruban isolant de telle façon qu'il n'y ait pas de fuite d'air à ce niveau.

c. Retirer le ruban qui tient l'atténuateur.

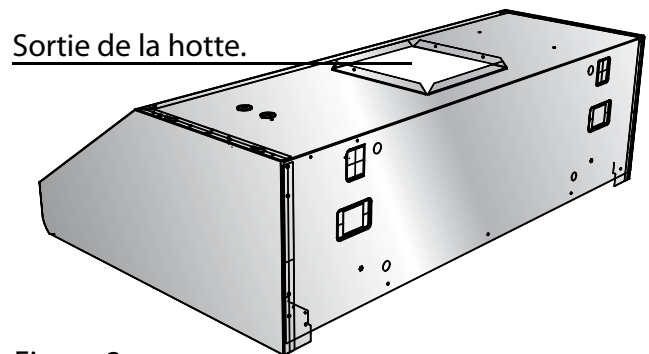
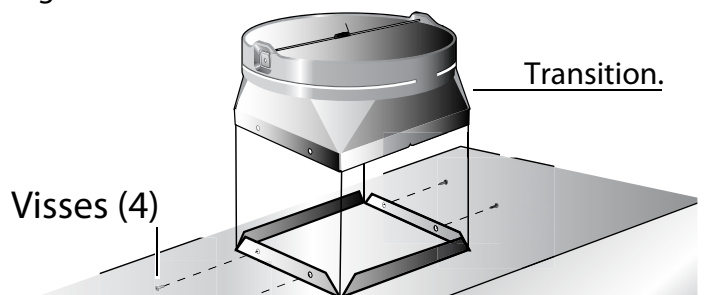


Figure 3



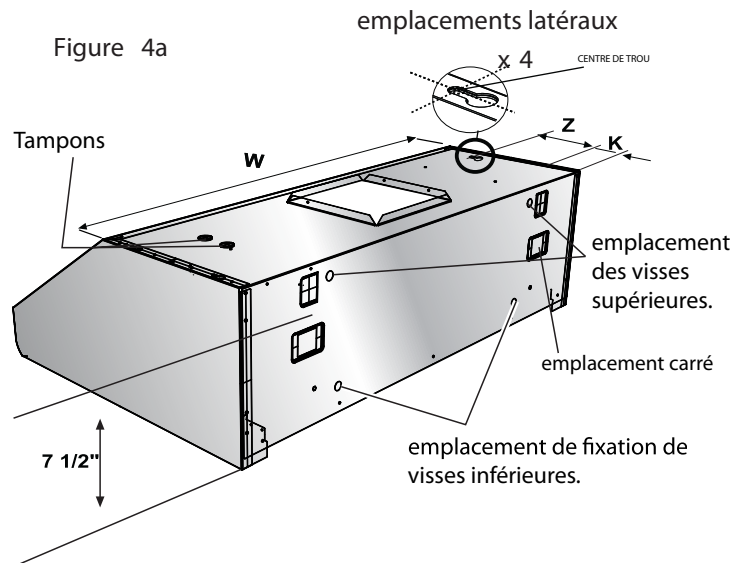
INSTALLATION SUR MUR

Veillez consulter ci-dessous, le type d'installation que vous préférez.

- Après avoir déterminé à quelle hauteur vous installerez la hotte, tracez une ligne horizontale au-dessus des plaques de cuissons, à une distance qui soit égale à la hauteur d'installation de la hotte plus 7-1/2 pouces. Voir également la figure 4a.
- Identifiez le centre des plaques de cuissons et tirez une ligne verticale depuis les plaques jusqu'à la ligne horizontale que vous venez de tracer. Puis tracez une ligne verticale à droite et à gauche de la ligne centrale, jusqu'à une distance de 12-5/8 pouces, de telle façon que vous puissiez déterminer l'emplacement des crochets qui sont fournis avec l'appareil.
- Mettez deux crochets de montage sur le mur pour accrocher la hotte au moyen des emplacements prévus à cet effet sur l'appareil (2 chevilles, 2 crochets de montage et deux vis 5x35).
- Installez le conduit de 10 pouces, de telle sorte qu'il soit suffisamment long pour se brancher sur la connexion une fois la hotte installée. Rajoutez 1 1/2 pouces de plus à la longueur du conduit afin de permettre le raccordement. Assurez le branchement à l'aide des vis et scellez-le avec du ruban isolant.
- Retirez un des deux tampons tel qu'indiqué sur la figure 4a et installez le connecteur du conduit de 1/2 pouces à la boîte de jonction.
- Placez la hotte sur les crochets qui sont dans le mur et ajustez sa position grâce aux vis de réglage des crochets.
- Accrochez la hotte à l'aide des 4 autres emplacements prévus à cet effet : 2 sur le dessus et 2 sur la partie inférieure (utilisez 4 chevilles, 4 rondelles et 4 vis 5x35).

largeur de l'appareil	DIM. "W"	DIM. "K"	DIM. "Z"
30"	29 - 1/8"	2 - 1/2"	7 - 1/16"
36"	35 - 1/16"	2 - 1/2"	7 - 1/16"

Table 3



INSTALLATION SUR MEUBLE:

- Nota: veuillez consulter les distance sur la table 3.3
- Trouvez la ligne centrale du fond du meuble et tirez un trait tout au long de cette ligne, depuis l'arrière jusqu'à l'avant du cabinet. Voir aussi la figure 4b.
- Tracez deux lignes, l'une à une distance K du mur, et l'autre à une distance Z de la ligne que vous venez de tracer. Marquez 4 points, deux sur chaque ligne à une distance de la moitié de W à partir de la ligne central, afin de déterminer l'emplacement des vis.
 - Installez 4 vis sur le fond du cabinet sans les serrez, en laissant un espace d'à peu près 1/2 pouce entre le fond du meuble et la tête des vis.
 - Installez le conduit de 10 pouces, de telle sorte qu'il soit suffisamment long pour se brancher sur la connexion une fois la hotte installée. Rajoutez 1 1/2 pouces de plus à la longueur du conduit afin de permettre le raccordement.
 - Retirez un des deux tampons tel qu'indiqué sur la figure 4a et installez le connecteur du conduit de 1/2 pouces à la boîte de jonction.
 - Accrochez l'appareil à l'aide des emplacements latéraux prévus à cet effet sur le dessus de la hotte: Serrez les 4 vis. Nota : si possible fixez la hotte sur le mur avec 4 point supplémentaires : 2 sur le dessus et 2 sur la partie inférieure.
 - Depuis l'intérieur du meuble, raccordez la connexion/transition sur la sortie supérieure.

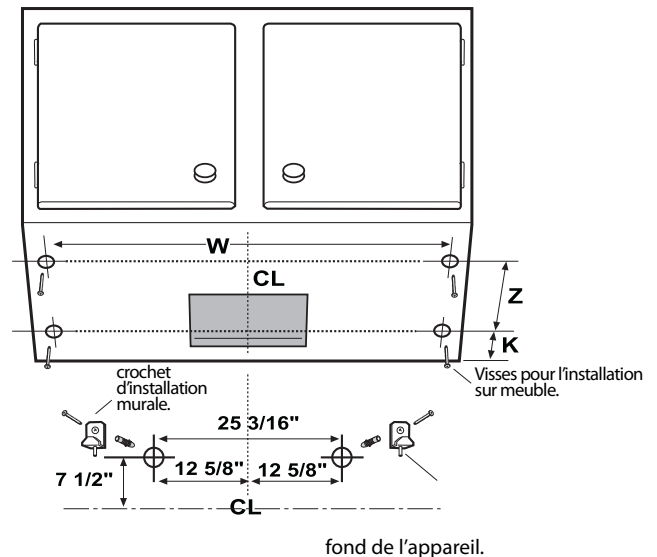


Figure 4b

Fixez le tuyau de transition et scellez avec de la bande adhésive

Pour les deux méthodes d'installation :

10. Cblage de la hotte:



ATTENTION:

Risque de Choc électrique
Coupez le courant sur le panneau de service avant de câbler cette unité.
Cet appareil requiert un circuit électrique d'alimentation de 120 VAC, 15 or 20 Amp

LES INSTRUCTIONS DE MISE A LA TERRE DE CET APPAREIL SE REALISENT AU MOYEN D'UN BOITIER ELECTRIQUE DE RACCORDEMENT A TROIS CABLES, DONT L'UN D'ENTRE EUX (JAUNE/VERT) SERT DE TERRE A CET APPAREIL.



ATTENTION:

AFIN DE VOUS PROTÉGER DES CHOCS ELECTRIQUES LE CABLE JAUNE ET VERT DOIVENT ETRE CONNECTÉ AU CIRCUIT DE TERRE DE VOTRE HABITATION ET NE DOIS, SOUS AUCUN PRÉTEXTE, ETRE ELIMINÉ.

Ne pas suivre les presentes instructions peut entrainer la mort ou un choc électrique.

VENTILATEUR INTEGRAL

INSTALLATION DES MODELES VTN600F & VTN1000F

Le ventilateur intégrale peut être monté afin de d'évacuer l'air, tel que le montrent les figures 3 et 4b page 9 .
Il doit être fixé au moyen des emplacements du ventilateur et des bornes à têtes vissantes qui se trouvent sur la hotte.
Serrez les deux têtes vissantes.

Les ventilateurs du moteur intégrale devrait être installé sur la hotte à l'aide des accessoires fournis (Visses, visse millimétriques, têtes millimétriques bornes et emplacements de moteur, dans le VTN600F et le VTN1000F sac.

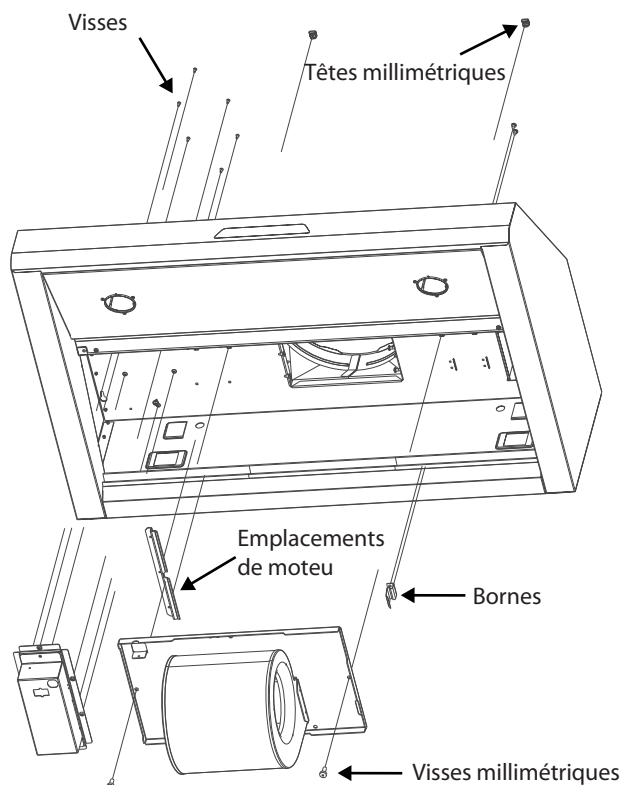


Figure 5a

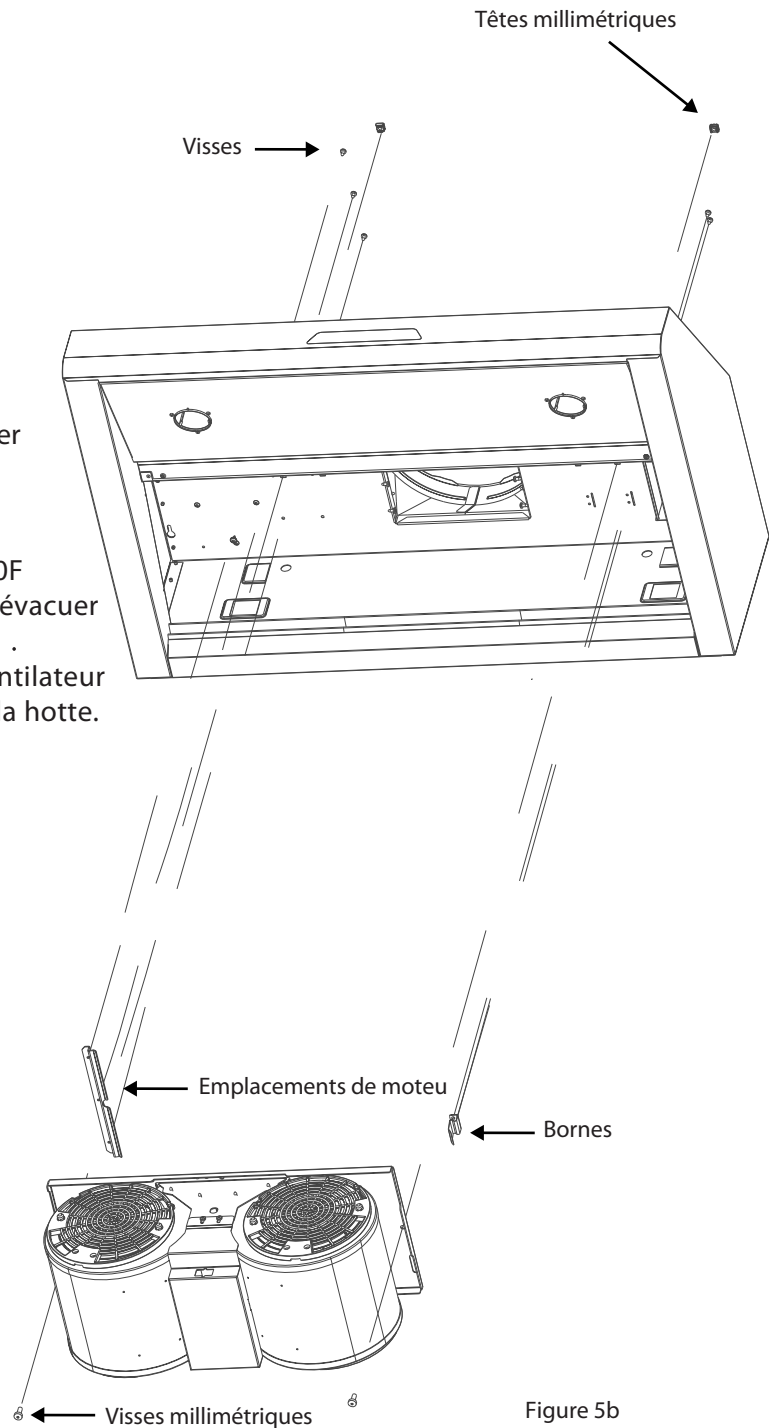


Figure 5b

Installez ces composants, tels qu'indiqué dans la figure 5a pour le modèle VTN600F et 5b pour le modèle VTN1000F.

Câblage du capot avec un Ventilateur Intégral:

Attention: Coupez le courant sur le panneau de service avant de câbler cette unité.

1. Brancher le ventilateur intégrale molex plug connector to the connector present inside the hood as shown Figure 6.
2. Retirer le couvercle du boîtier J tel qu'indiqué par la figure 7.
3. Retirez un ou deux des couvercles et installez 1/2" conduit de raccordement sur le boîtier J.
4. Faites passer du câble noir, rouge vert/jaune (#14 AWG) et un conduit de 1/2" depuis de circuit d'alimentation jusqu'au boîtier J.
5. Branchez respectivement les câbles noirs, blancs et verts du circuit d'alimentation au câbles noir blancs et vert-jaune au niveau du boîtier J.
6. Refermer le couvercle du boîtier J.
7. Allumez votre appareil.
Vérifiez le fonctionnement de la hotte.

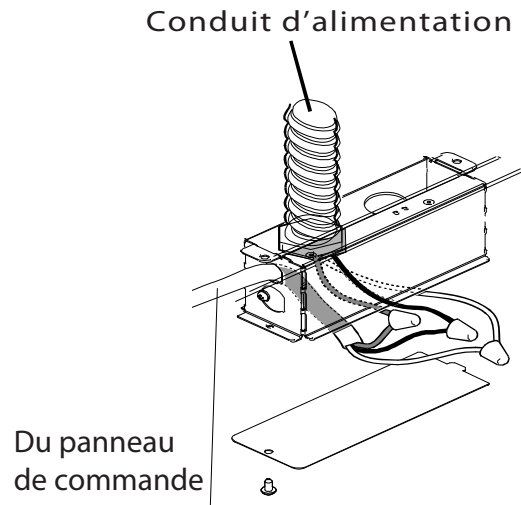


Figure 7

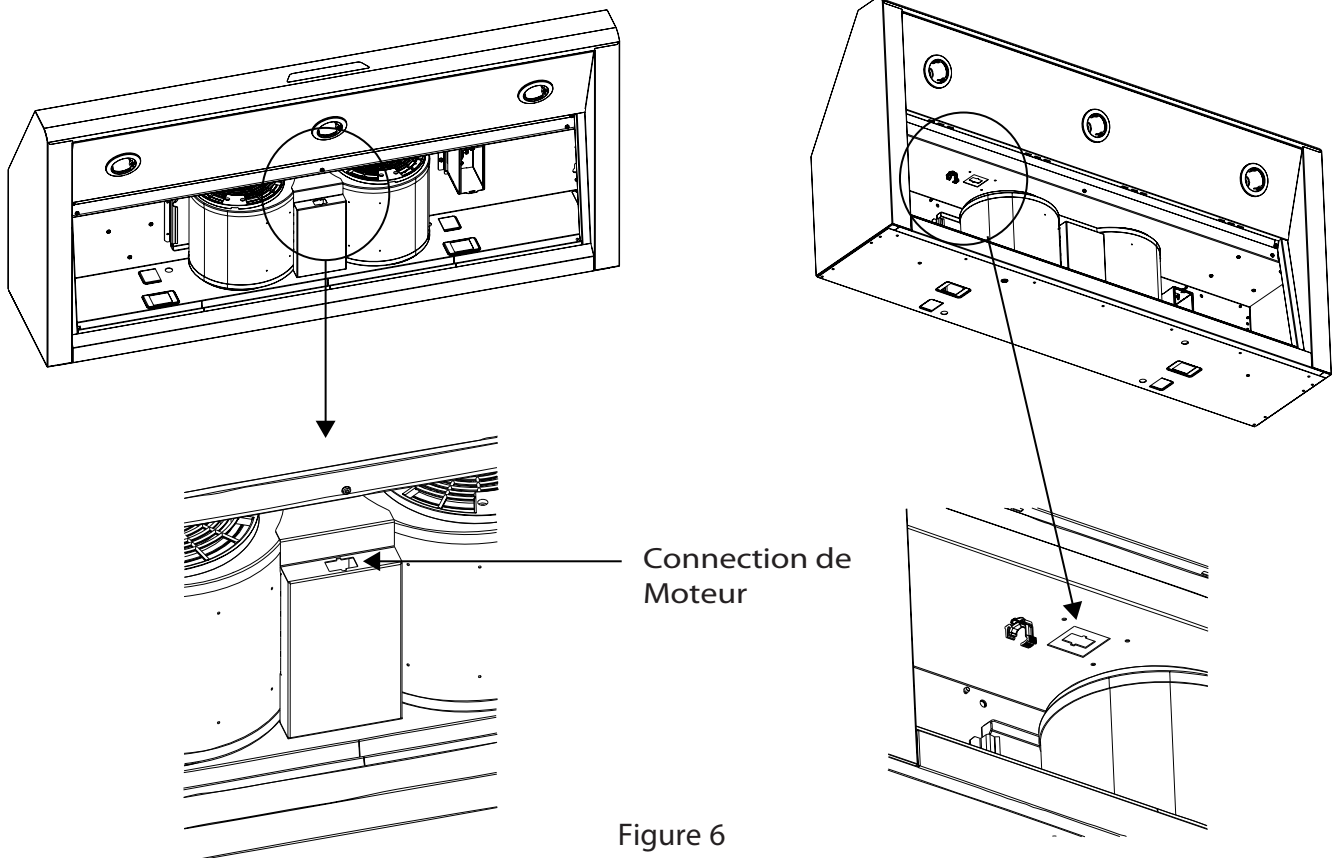


Figure 6

INSTALLATION D'UN VENTILATEUR A DISTANCE

HMWN30/36/48 Series Hotte:

La hotte a été conçue pour fonctionner avec le ventilateur en ligne et à télécommande de la marque Thermador ayant une consommation maximum de 8.5 Amp.

(Veuillez consulter le paragraphe "pièces non fournies avec votre hotte") Pour les instructions d'installation consultez les instructions fournies avec le ventilateur.

Câblage de la hotte avec un ventilateur en ligne ou à télécommande:

Coupez le courant sur le panneau de service avant de cabler cette unité.

1. Retirer le couvercle du boîtier J tel qu'indiqué par la figure 8.
2. Retirer le couvercle T du boîtier J.
3. Retirez les deux taquets et installez le conduit de 1/2".
4. Faites passer du câble noir, rouge vert/jaune (#14 AWG) et un conduit de 1/2" depuis de circuit d'alimentation jusqu'au boîtier J.
5. Reliez les fils noirs, blancs, et verts

de l'alimentation d'énergie à fils noirs, blancs et verts/jaunes dans la boîte de j respectivement.

6. Branchez le câble à une rosette tel que présenté dans la Figure 12. Insérer le cables de la rosette dans la J-box et ajuster les fixations du boîtier J.
7. Faites passer 5 câbles (14AWG) dans le conduit de 1/2" a partir du branchement du ventilateur à télécommande.
8. Branchez les câbles qui viennent de la rosette aux câbles qui proviennent du ventilateur externe en suivant la table suivante:
9. Couvrez de la boîte de jonction de proximité. Veuillez vérifier que toutes les lumières et ampoules sont en sécurité Les bases. Installation des filtres. Mettez l'appareil en marche et vérifiez le bon fonctionnement des lumières et de l'appareil.

DÉTAILS DE LA NATTE ÉLECTRIQUES

La rosette est configurée pour être connectée tel décrit dans la table suivante.

FONCTION	COULEUR
VITESSE 1	Rouge
VITESSE 2	Bleu
VITESSE 3	Orange
VITESSE 4	Marron
Commun	Blanc

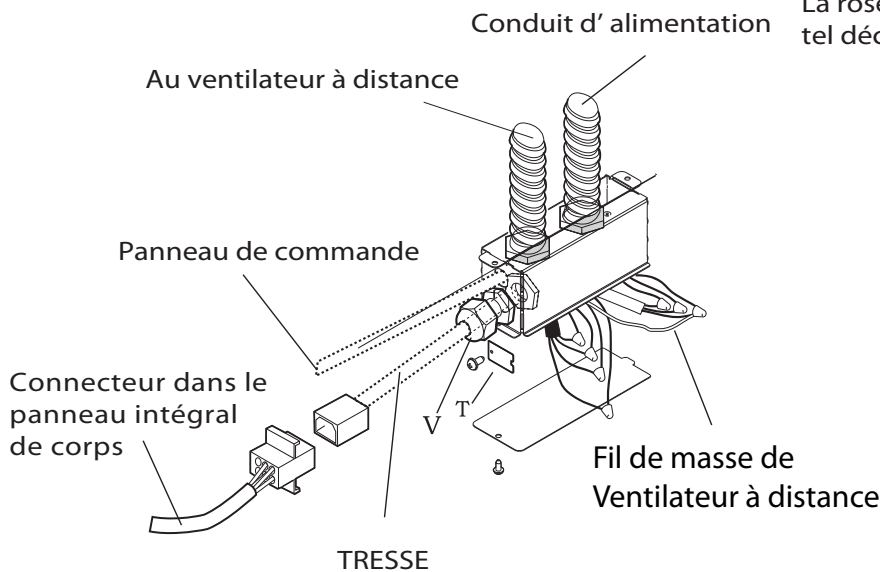


Figure 8

Etape d'installation finale

11. Installer les filtres à graisse, les lampes et le plateau d'écoulement tel que décrit à la section Utilisation et Entretien de ce manuel.

Note: les lampes ne sont pas fournies, utilisez uniquement du 120 Volts, 50 Watt (maximum) 50° halogène faites pour une base de type GU10 base, adaptée à une utilisation en environnement ouvert.

Veillez brancher votre hotte et vérifier son bon fonctionnement.



INSTRUCCIONES IMPORTANTES DE SEGURIDAD

Lea todas las instrucciones antes de utilizar el dispositivo.
LEA Y GUARDE ESTAS INSTRUCCIONES



ADVERTENCIA

PARA REDUCIR EL RIESGO DE INCENDIO, DESCARGA ELÉCTRICA, O DAÑO A PERSONAS, OBSERVE LO SIGUIENTE:

- A. Utilice esta unidad solamente en la forma especificada por el fabricante. Si tiene preguntas contacte al fabricante.
- B. Antes de dar mantenimiento o limpiar la unidad, apague el interruptor en el panel de control y asegure el panel de servicio para evitar que el interruptor sea encendido accidentalmente. Si el panel de servicio no puede ser asegurado coloque una gran advertencia, tal como una etiqueta, en el panel de servicio..
- C. El trabajo de instalación y el cableado eléctrico deben ser hechos por persona(s) calificada(s) de acuerdo con todos los códigos y estándares aplicables, incluyendo las relacionadas a incendios.
- D. Se requiere suficiente aire para una combustión apropiada y exhalación de gases a través del escape (chimenea) o equipo de quema de combustible para prevenir regresos. Siga la guía de los fabricantes del equipo de calentamiento y los estándares de seguridad tales como los publicados en la Asociación Nacional de Protección del Fuego. (NFPA), la Sociedad Americana de Ingenieros en Calentamiento, Refrigeración y Aire Acondicionado (ASHRAE), y las autoridades locales.
- E. Cuando corte o haga agujeros en la pared o el techo, no dañe el cableado eléctrico y otros dispositivos escondidos.
- F. Los sistemas conductuales deben siempre dirigirse al exterior.

PRECAUCIÓN

PARA VENTILACION GENERAL SOLAMENTE. NO UTILICE MATERIALES O VAPORES EXPLOSIVOS O PELIGROSOS.

PRECAUCIÓN

Para reducir el riesgo de incendio y exhalar el aire propiamente, asegúrese de enviar los ductos de aire al exterior- no hacia dentro de las paredes, techos, áticos, espacios sin uso o garajes.

ADVERTENCIA

PARA REDUCIR EL RIESGO DE FUEGO, UTILICE SÓLO DUCTOS DE METAL.

Instale esta campana de acuerdo a todos los requerimientos especificados.

ADVERTENCIA

Para reducir el riesgo de fuego o descarga eléctrica, no use esta campana con ningún aparato de control de estado de velocidad externo.

OPERACIÓN

a. Siempre deje las parrillas de seguridad y los filtros en su lugar.

Sin estos componentes, los ventiladores en operación pudieran atrapar pelo, dedos y trapos sueltos.

Los fabricantes se deslindan de toda responsabilidad en caso de falla al observar las instrucciones dadas aquí para la instalación, mantenimiento y uso adecuado del producto. El fabricante también se deslinda de toda responsabilidad por daño debido a negligencia y la garantía de la unidad expira automáticamente debido a mantenimiento inadecuado.

Esta unidad está fabricada para uso interior solamente.

No utilice esta unidad en el exterior



INSTRUCCIONES DE SEGURIDAD IMPORTANTES

Read All Instructions Before Using the Appliance.
READ AND SAVE THESE INSTRUCTIONS

Requerimientos eléctricos

IMPORTANTE

Observe todos los códigos y mandatos en uso.

Es responsabilidad del cliente:

Contactar un instalador eléctrico calificado.

Para asegurar que la instalación eléctrica es adecuada y en conformidad con el Código

Eléctrico Nacional, ANSI/NFPA 70

última edición*, o Estándares CSA

C22.1-94, Código Eléctrico Canadiense,

Parte 1 y C22.2 No.0-M91 - última edición **

y todos los códigos y ordenanzas locales.

Si los códigos lo permiten y un cable de aseguramiento separado es utilizado,

Se recomienda que un electricista calificado, determine si el camino a tierra es adecuado.

No haga tierra a un tubo de gas.

Cheque con un electricista calificado si usted no está seguro si la campana está propiamente instalada.

No tenga un fusible en el circuito neutral o tierra.

IMPORTANTE

Guarde las instrucciones de instalación para uso del inspector eléctrico.

La campana debe ser conectada solamente con cable de cobre.

La campana debe ser conectada directamente a la caja de desconexión (o interruptor del circuito) a través de conductos eléctricos de metal.

Las medidas del cable deben de conformarse a los requerimientos del Código Eléctrico Nacional ANSI/NFPA 70 —última edición*, o Estándares CSA C22.1-94, Código Eléctrico Canadiense, Parte 1 y C22.2 No.0-M91 - última edición ** y todos los códigos y ordenanzas locales.

A U.L.- o C.S.A.- Un conector debe ser provisto en cada terminal del conducto de la fuente de alimentación (en la campana y en la caja de uniones).

Como referencia se puede consultar:

* National Fire Protection Association Batterymarch Park
Quincy, Massachusetts 02269

** CSA International 8501 East Pleasant Valley Road
Cleveland, Ohio 44131-5575

Partes Incluidas con su Campana

- Ensamblaje de Campana con extractores ya instalados
- Filtros de grasa
- Bandejas de goteo
- Instrucciones de uso / cuidado e instalación
- Bolsas a la medida con:
 - Sujetadores de las Bandejas de goteo y arandelas de plástico y perillas
 - 4 Arandelas
 - 6 anclas de pared
 - 2 Ganchos con la regulación de tornillos
 - 6 Tornillos 5X35
 - 4 tornillos para la transición 2,9,6,5

Accesorios opcionales

Cubiertas de ductos

Kit de recirculación disponible solo para el modelo HMWN30 HMWN36 .

Partes no incluidas en su campana

- Cinta de ducto
- 1/2" Conductor
- Cables
- Ductos redondos
- Abrazaderas



PRECAUCIÓN! Los focos no se proveen, use SÓLO luz de halógeno de 120 Volt, 50 Watt (máximo) 50° o una base GU10, Adecuada para uso en iluminación abierta..

- 4 tornillos de madera #10 para instalación abajo de un gabinete.
- Herramientas requeridas
- Navaja y desarmador Phillips
- Lápiz y cinta de medir
- Tijeras de metal (en algunas aplicaciones)
- Taladro eléctrico
- SERRUCHO
- Tenazas
- Nivel
- Resanador
- Lámpara
- Cable
- Anteojos de seguridad
- Guantes
- Escalera

INSTALANDO LA CAMPANA

- Para una mayor expulsión de aire, utilice conductos rectos o menos codos como sea posible.



PRECAUCION: Ventile la unidad hacia afuera de edificios solamente.

- Se requiere una persona para instalación. En promedio se requieren 2 horas para la instalación (sin considerar cortes necesarios en la pared o el gabinete, instalación de ductos, conexiones eléctricas o conductuales).

Pasos de instalación:

11 pasos de instalación se requieren para ambos métodos de instalación

Pasos para instalación en la pared o en un gabinete:

- La campana se ajusta con tornillos y anclas aplicables a cualquier superficie, consulte un instalador calificado, cheque si se adecúan perfectamente a su pared/gabinete.

- No utilice ductos flexibles
- Instalaciones en CLIMA FRIO deben tener un amortiguador adicional para minimizar el regreso de aire frío y un freno térmico no metálico para minimizar la conducción de temperaturas exteriores como parte del trabajo de conducción. El amortiguador debe estar de lado del aire frío del freno térmico. El freno debe estar tan pegado como sea posible a donde el conducto entra a la porción calentada de la casa.
- Aire tratado: Códigos de construcción local pueden requerir el uso de Aire tratado cuando se utilice Sistemas de ventilación mayores a los especificados en el CFM. El CFM especificado varía de localidad en localidad. Consulte su especialista en HVAC para requerimientos específicos en su área.

• Instalación típica

La altura del mostrador a la base de la campana es de 24" a 30".
No se recomienda usar estas campanas en asadores.

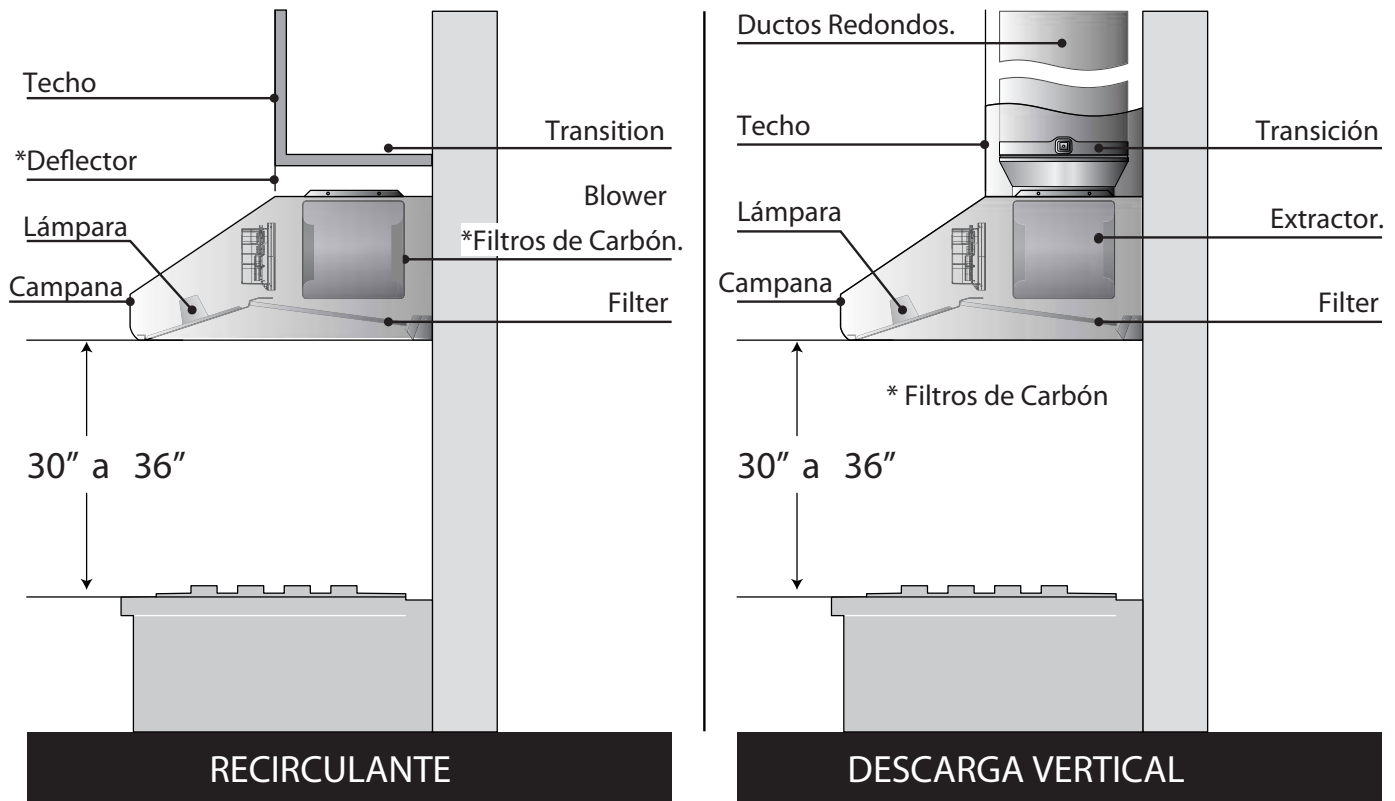
1. Escoja opciones de ventilación

La campana está diseñada para utilizarse en descargas verticales como se muestra abajo.

Nota: ver también la Fig. 1-2-3 para la preparación del gabinete.

Instale un conducto de 1/2" desde el panel de servicio lo suficientemente largo para alcanzar la campana una vez que se ha instalado. La energía debe ser de 120 V AC, 60Hz. 15 o 20 A.

Ejemplos de posible intalación.



* Accesorio opcional – Kit de recirculación

*Sólo para 30" y 36" usar el extractor VTN600F

Tabla 1. Cálculo de funcionamiento de Ventilación.

AJUSTES DE DUCTOS

Utilice esta tabla para computar los largos posibles máximos que van hacia el exterior.

Nota: No exceda los las equivalencias en largos máximos permitidas.

Largo máximo recomendado para estas campanas: 150 pies.

Acerca de ductos flexible:

Si se utiliza metal flexible, todos los valores equivalentes en pies en la tabla deben ser duplicados. El ducto de metal flexible debe ser recto y liso y extenderse tanto como sea posible.

NO utilice ductos de plástico flexible.

Nota: Cualquier sistema de ventilación en casa, tales como las campanas, puede interrumpir el flujo correcto de aire de combustión y exhalación requerido por chimeneas, estufas de gas, calentadores de agua de gas y otros sistemas ventilados naturalmente. Para minimizar la posibilidad de interrupción de tales sistemas ventilados naturalmente, siga las instrucciones del fabricante o los estándares de seguridad tales como los publicados por NFPA y ASHRAE.

Las campanas estan equipadas para ductos redondos de

*Las campanas se suplen con una transición redonda de 10"

Una transición se requiere para otras medidas.

Nota:

La salida en la parte alta de la campana es de 1/8" x 8".

Pieza	Largo equivalente*	Cantidad usada	Largo total
	10" redondo a 8" redondo		5 ft.
	Redondo, recto		1 ft. (por pie de largo)
	3-1/4" x 10" 3-1/4" x 12" recto		1 ft. (por pie de largo)
	codo 90°		8" Dia. 17 ft. 10" Dia. 24 ft.
	codo 45°		8" Dia. 10 ft. 10" Dia. 14 ft.
	3-1/4" x 12" 3-1/4" x 10" codo 90°		15 ft. 14 ft.
	3-1/4" x 10" 3-1/4" x 12" codo 45°		8 ft. 9 ft.
	3-1/4" x 10" 3-1/4" x 12" codo plano 90°		33 ft. 36 ft.
	transición redonda 10" de 3-1/4" x 10" o 3-1/4" x 12"		9 ft.
	3-1/4" x 10" o 3-1/4" x 12" a 10"		6 ft.
	transición redonda de 10" 3-1/4" x 10" codo 90° de 3-1/4" x 12"		16 ft. 13 ft.
	transiciones de 3-1/4" x 10" 3-1/4" x 12" o redonda de 10" codo de 90°		9 ft. 8 ft.
	Cubierta de pared con amortiguador		8" Dia. 32 ft. 10" Dia. 41 ft.
	Cubierta de pared con amortiguador de 3-1/4" x 10" 3-1/4" x 12"		24 ft. 26 ft.
	Cubierta de techo.		

Ducto Total _____

TABLA 2. GUÍA DE INSTALACIÓN DE DUCTOS

Por razones de seguridad, los ductos deben ser ventilados directamente al exterior (no hacia un ático, debajo de la casa, hacia el garage o cualquier espacio cerrado).

Mantenga los ductos tan cortos y rectos como sea posible.

Los aditamentos al ducto (codos y transiciones) reducen la eficiencia del flujo de aire.

Los codos traseros y "S" tienen un desempeño muy pobre y no son recomendados. Los ductos rectos a la entrada del extractor ofrecen el mejor resultado.

Una transición al ducto desde el extractor integral o una transición remota al ducto tan cercana al tubo aspersor como sea posible es mejor.

En orden de preferencia, utilice:

- 1ro. ducto redondo de 10"
- 2do. ducto redondo de 8"
- 3ro. ducto 3-1/4" x 14"
- 4to. ducto redondo de 7"
- 5to. ducto de 3-1/4" x 10"
- 6to. ducto redondo de 6"

El uso de metal flexible redondo puede ser utilizado solamente cuando no exista otro ducto. Limite su uso a medidas cortas y no aplaste en las esquinas.

1. Prepare el ducto y los cortes de conducción, vea las figuras 1 y 2 si es necesario.

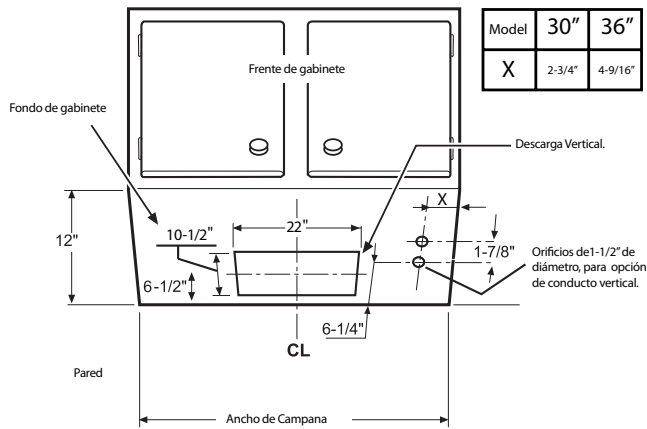


Figura 1

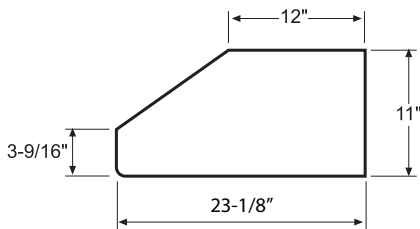


Figura 2

2. Ensamble de la transición de 10":

La transición provista con la campana se coloca encima de la parte de arriba de ésta.

No instale la transición hasta que la campana haya sido fijada en el gabinete.

- a. Coloque la pieza de transición sobre la salida de la campana y asegúrela con 4 tornillos provistos. (Figura 3)
- b. Envuelva todas las uniones (transición metálica y campana) con cinta selladora para un sellado a prueba de aire.
- c. Remueva la cinta que sostiene el amortiguador.

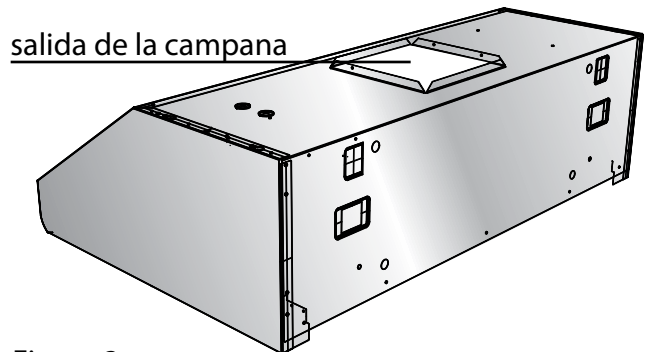
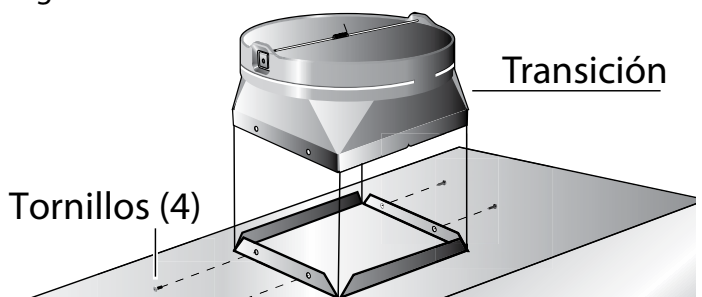


Figura 3



Instalación a pared

Nota: vea abajo si se prefiere instalación en gabinete.

3. Después que la altura de la instalación de la campana ha sido establecida dibuje una línea horizontal a una distancia sobre la cubierta de la estufa igual a la altura deseada de la instalación de la campana más 7 - 1/2". Vea Figura 4a.

4. Encuentre la línea media de la cubierta de la estufa. Dibuje una línea vertical a lo largo de esta línea central hacia la línea horizontal dibujada en el paso 1 y dibuje una línea vertical a la izquierda y derecha a una distancia de 12-5/8" para determinar la localización de los ganchos de montaje enviados con la campana.

5. Coloque dos ganchos sobre la pared para colgar la campana a través de las ranuras proporcionadas (2 anclas de pared + 2 ganchos + 2 tornillos 5x35).

6. Coloque el ducto de 10", lo suficientemente largo para alcanzar la transición una vez que la campana ha sido instalada más 1 1/2" pulgadas para conectar al ducto. Fije el ducto a la transición con tornillos y con cinta de sellado.

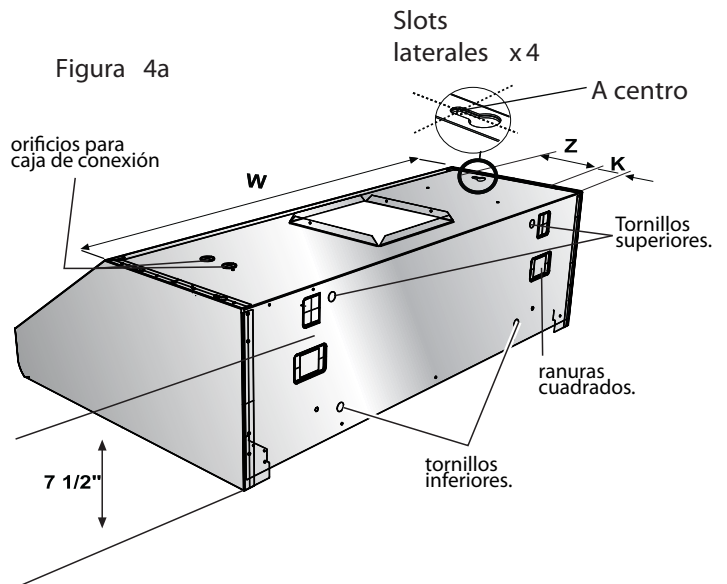
7. Remueva 1 o 2 terminaciones e instale un conector de 1/2" en la caja de conexión

8. Cuelgue la campana y ajuste su posición a través de los tornillos en los ganchos.

9. Fije la campana en 4 puntos adicionales, 2 en la parte de arriba, 2 en la parte de abajo (utilice 2 anclas de pared + 4 arandelas + 4 tornillos 5x35).

ANCHO DE CAMPANA	DIM. "W"	DIM. "K"	DIM. "Z"
30"	29 - 1/8"	2 - 1/2"	7 - 1/16"
36"	35 - 1/16"	2 - 1/2"	7 - 1/16"

Tabla 3



Instalación en gabinete:

Nota: vea arriba si se prefiere instalación montada en la pared

Nota: distancias en la Tabla 3.3.

Encuentre la línea central de la parte baja del gabinete. Dibuje una línea a lo largo de esta línea central de atrás hacia adelante del gabinete.

Vea también la Figura 4b.

4. Dibuje dos líneas, una a una distancia K de la pared y la otra a una distancia Z de la línea previa.

Marque 4 puntos, dos a lo largo de cada línea a una distancia de la mitad de W de la línea central, para determinar las posiciones de los tornillos.

5. Coloque 4 tornillos en la parte baja del gabinete sin apretar completamente pero deje espacio de aproximadamente 1/2" de la parte baja de la superficie del gabinete y los tornillos.

6. Coloque el ducto de 10", lo suficientemente largo para alcanzar la transición una vez que la campana ha sido instalada más 1 1/2" pulgadas para conectar el ducto.

Quite 1 de los 2 pivotes e instale el conector de 1/2" en la caja de conexión.

8. Cuelgue la campana en los tornillos por las ranuras laterales provistas en lo alto de la campana. Apriete los cuatro tornillos. Nota: Si es posible fije la campana en cuatro puntos adicionales (2 en la parte de arriba, 2 en la parte de abajo).

9. De adentro del gabinete fije la transición en la salida de arriba.

Fije el ducto a la transición y selle con cinta.

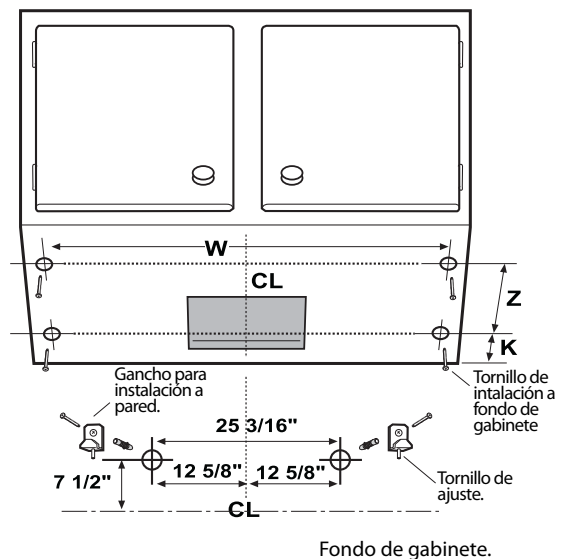


Figura 4b

Fix Duct to transition and seal with tape.
For both installation method :

10. Wiring the HOOD:

⚠ WARNING:
 To Avoid Electrical Shock Hazard
 Turn off power at the service
 panel before wiring this unit.
 120 VAC, 15 or 20 Amp circuit
 required.

ELECTRICAL GROUNDING INSTRUCTIONS
 THIS APPLIANCE IS FITTED WITH AN
 ELECTRICAL JUNCTION BOX WITH 3
 WIRES, ONE OF WHICH (GREEN/YELLOW)
 SERVES TO GROUND THE APPLIANCE.

⚠ WARNING:
 TO PROTECT YOU AGAINST ELECTRIC SHOCK,
 THE GREEN AND YELLOW WIRE MUST BE
 CONNECTED TO THE GROUNDING WIRE IN
 YOUR HOME ELECTRICAL SYSTEM AND IT MUST
 UNDER NO CIRCUMSTANCE BE CUT OR REMOVED
 Failure to do so can result in death or
 electrical shock.

INTEGRAL VENTILATOR
INSTALLATION Models VTN600F & VTN1000F
 The Integral ventilator can be mounted to
 discharge air as show on figure 3 and 4b at page 9.
 It must be fixed through the slots of the ventilator
 and pins with nuts of the hood.
 Tighten the two nuts.

The integral motor blowers should be installed to the
 hood with the hardware provided (Machine screws,
 millimetric screws, millimetric nuts, motor bracket and
 spring) in the VTN600F and VTN1000F hardware bags.

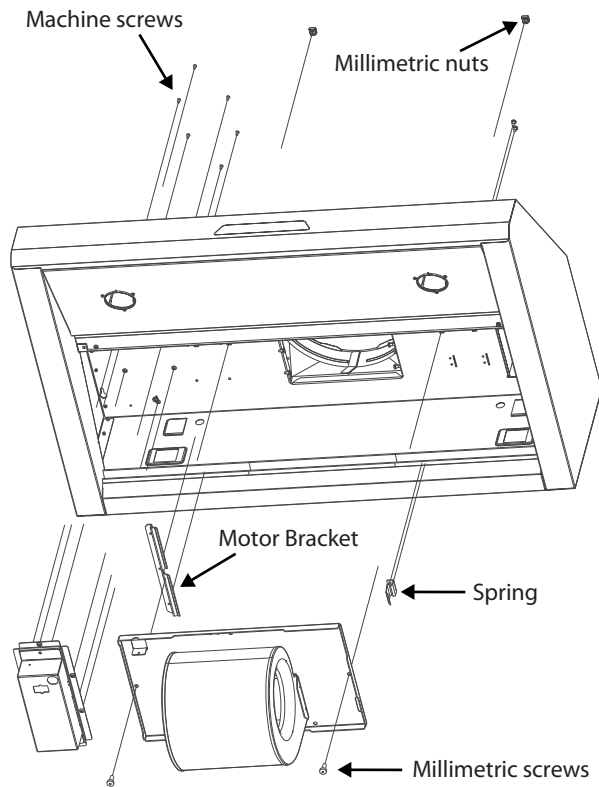


Figure 5a

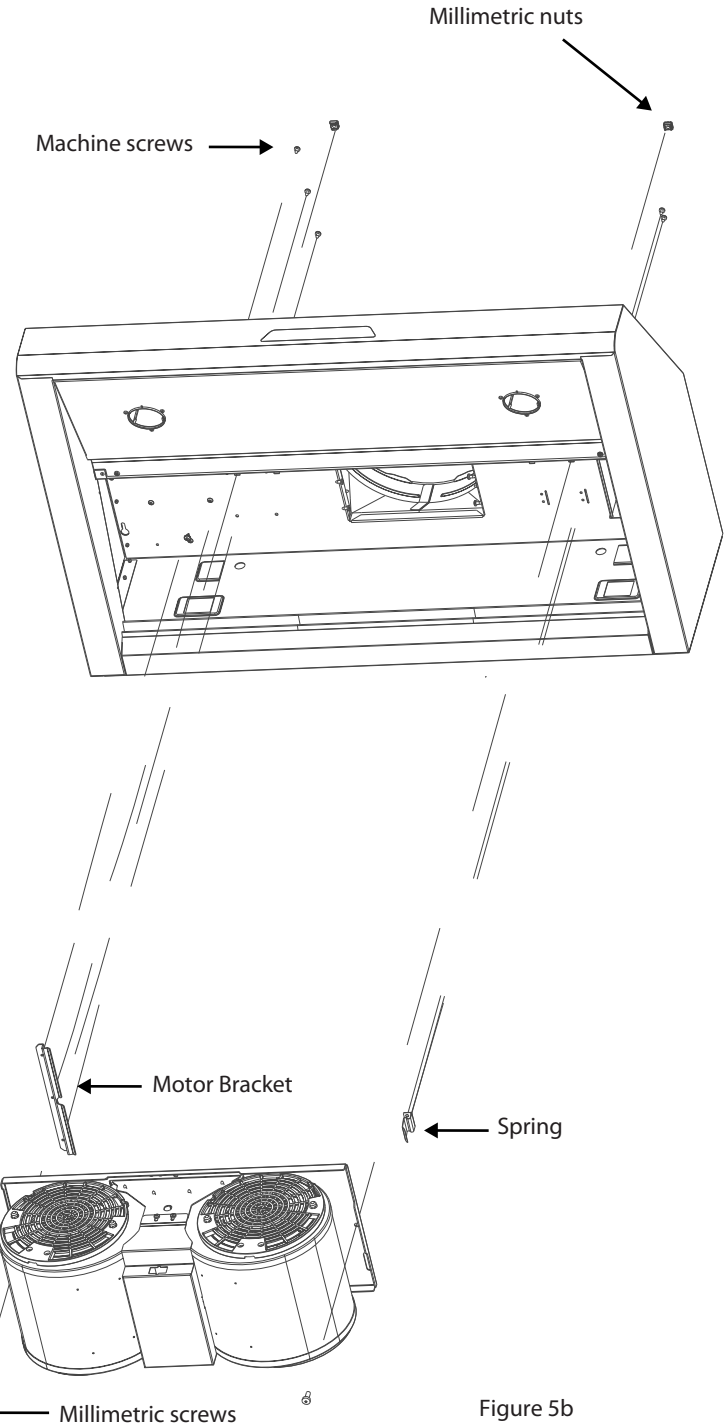


Figure 5b

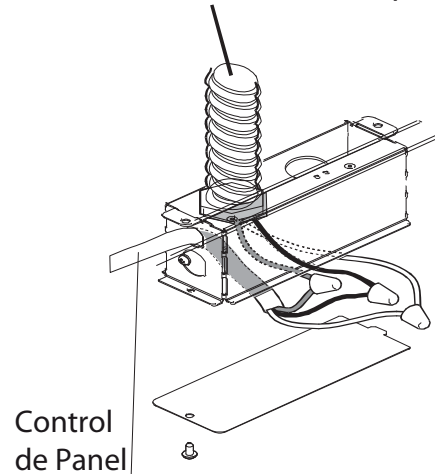
Install these components as is shown in the
 picture 5a for VTN600F and 5b for VTN1000F.

Cableado de la campana con un ventilador integral

Advertencia: Apague la electricidad en el panel de servicio antes del cableado de la unidad.

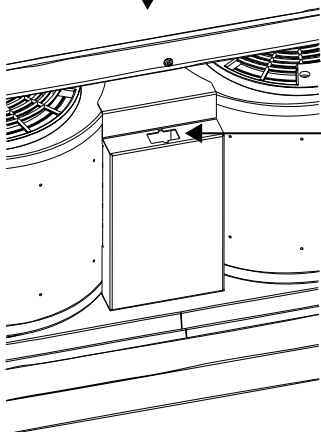
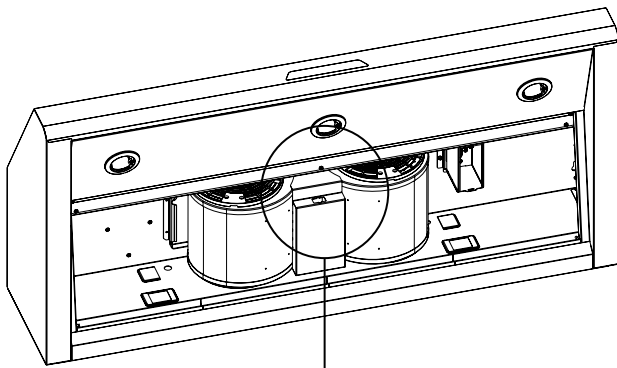
1. Conecte el ventilador integral enchufe el conector al conector presente en el interior de la campana, como se muestra en la Figura 6.
2. Retire la cubierta de la caja de unión tal y como se muestra en la Figura 7.
3. Eliminar 1 de los 2 remaches e instalar conector conductual de 1/2" en la caja de unión.
4. Pase los cables negro, blanco y verde (# 14 AWG) en conducto de 1/2 " del suministro de energía a la caja de unión.
5. Conecte los cables negro, blanco y verde del suministro de energía a los cables negro, blanco y verde/amarillo en la caja de unión respectivamente.
6. Cerrar la cubierta de la caja.
7. Encienda la energía en el panel de servicio. Compruebe el funcionamiento de la campana.

Conductor de la fuente de poder



Control de Panel

Figura 7



Conector del motor

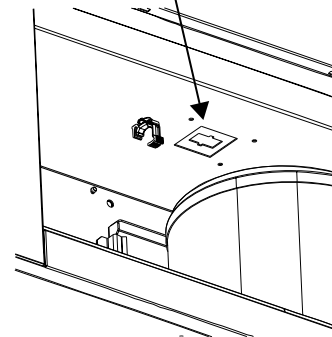
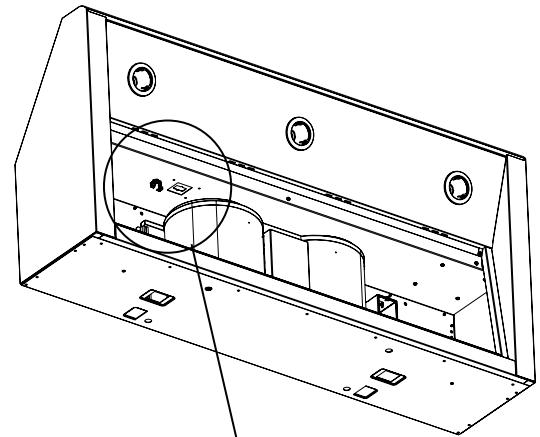


Figura 6

INSTALACIÓN DEL VENTILADOR REMOTO

Campana Series HMWN30/36/48:
La campana está diseñada para trabajar con el ventilador remoto y en línea Thermador valorados con un máximo de absorción de corriente de 8,5 Amp. (vea la lista del párrafo "partes no incluidas con su Campana") para las instrucciones de instalación vea las instrucciones suministradas con la unidad de ventilador.

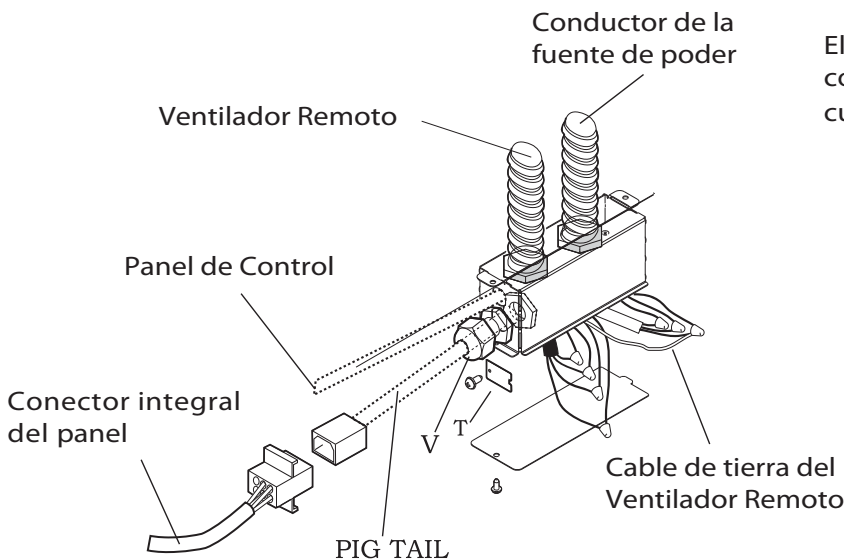
Cableado de la campana con un ventilador remoto o en línea:

Advertencia: Apague la electricidad en el panel de servicio antes de cablear la unidad.

1. Remueva la cubierta de la caja como lo indica la Figura 8.
2. Remueve la cubierta T de la caja.
3. Remueva los 2 remaches y instalar conector conductual 1/2"
4. Pase los cables negro, blanco y verde (# 14 AWG) en el conducto de 1/2" del suministro de energía a la caja de unión
5. Conecte los cables negro, blanco y verde

del suministro de energía a los cables negro, blanco y verde/ amarillo en la caja de unión respectivamente.

6. Conecte la abrazadera del cable al "pigtail" tal y como se muestra en la Figura 12. Insertar el cable "pigtail" en la caja de conexiones y fijela utilizando la tuerca suministrada con la abrazadera V.
7. Pasar cinco cables (14AWG) en un conducto de 1/2" del ventilador remoto al conector conductual.
8. Conecte los cables procedentes de pigtil a los cables del ventilador externo de acuerdo con la siguiente tabla.
9. Cerrar la cubierta de la caja de conexiones. Comprobar que todos los focos de luz + están seguros en los soclets. Instalar filtros. Conecte la corriente en el panel de servicio y compruebe la operación de las luces y el ventilador por Cuidado y Uso sección de este manual.



DETALLES ELÉCTRICOS DEL CABLE "PIGTAIL"

El cable "pigtail" está configurado para ser conectado como se describe en el siguiente cuadro.

FUNCION	COLOR
Velocidad 1	Rojo
Velocidad 2	Azul
Velocidad 3	Naranja
Velocidad 4	Café
Común	Blanco

Figura 8

Pasos finales de instalación

11. Instalar los filtros de grasa, lámparas y bandejas de goteo como se describe en la sección Cuidado y Uso de este manual.

Nota: Las lámparas no se suministran, utilice sólo luz de halógeno de 120 voltios, 50 vatios 50 ° (máximo) hecha para la base GU10, adecuado para su uso en iluminación abierta.

Encienda la energía en el panel de servicio.

Compruebe el funcionamiento de la campana.