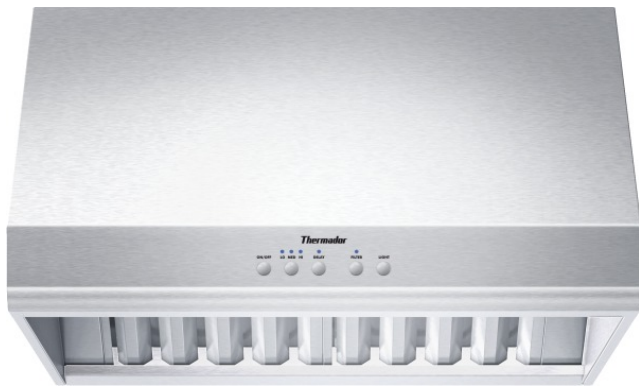


PH30HS

30" Wall Hood

Professional Series



PH30HS Stainless steel

Performance

- Three fan speeds
- Filter systems are highly efficient at capturing grease
- Powerfully quiet ventilation systems
- Six different blowers to choose from the line up according to cooking needs
- Approved by CSL for damp environments
- Extended capture area ensures removal of smoke and odor

Design

- 24" depth hood is 18" tall and a perfect companion with Pro Harmony Ranges and Rangetops
- Chiseled design for a seamless integration into any kitchen
- Brushed stainless steel finish
- Stainless steel control buttons
- Stainless steel professional baffle filters

Convenience

- Halogen lighting spotlights your best recipes
- Dishwasher safe stainless steel baffle filters
- Dimmer lighting - for a soft lighting effect
- Dishwasher safe grease collection trays are easily removed
- Built-in 'Clean Filter' reminder light illuminates after 40 hours of operation
- Delayed shut off tackles lingering odors for up to 10 minutes
- Hood includes filters, backdraft damper and transition
- Choose from Inline, Remote or Integrated Blowers
- Blowers sold separately

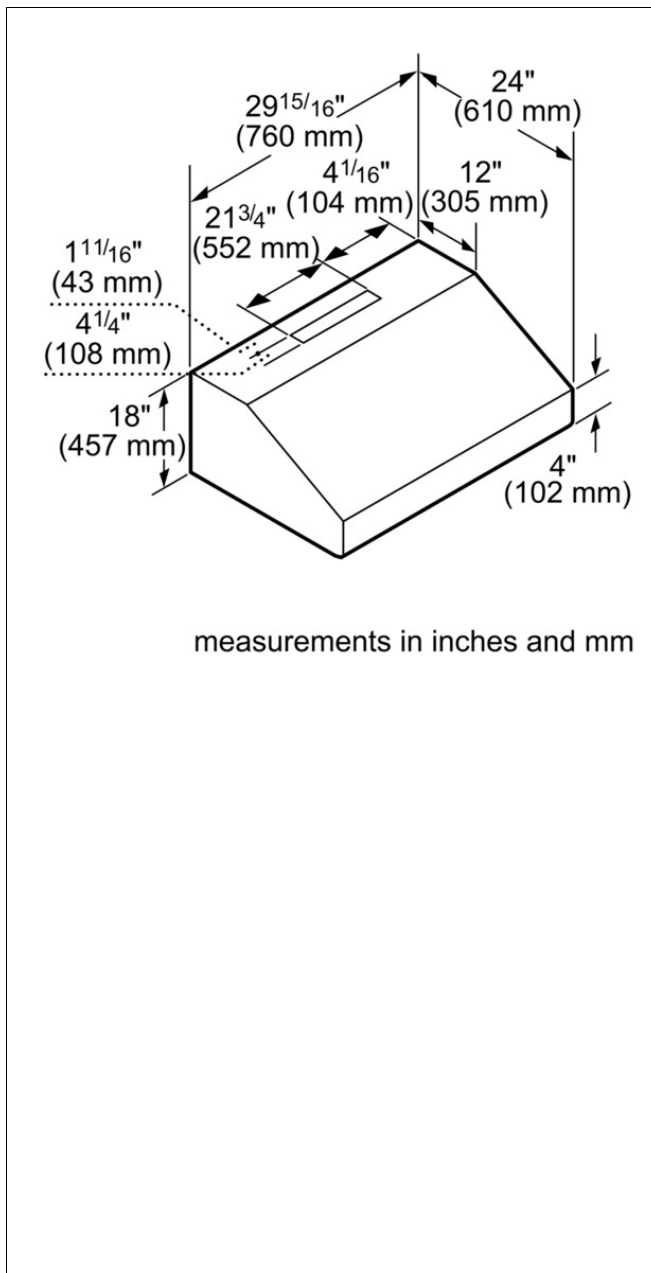
Capacity

- 600 CFM Integrated Blower option VTN630C
- 1000 CFM Integrated Blower option VTN1030C
- Inline Blowers: VTI610D (600 CFM) or VTI1010D (1000 CFM)
- Remote Blowers: VTR630D (600 CFM) or VTR1030D (1000 CFM) or VTR1330E (1300 CFM)
- Remote Blower requires Roof Plate RFPLT600 for roof installations (600 CFM)
- Remote Blowers require Roof Plate RFPLT1000 for roof installations (1000/1300 CFM)
- 10" Round duct size
- Vertical or horizontal ducting direction

PH30HS

30" Wall Hood

Professional Series



Product Features

Operating Mode: Ducted
 Number of speed settings: 3-stage
 Delay Shut off modes: 10
 Required accessories: Blower
 Optional accessories: DC30US, DCT30US, KHS30QS, PA30JBS, RFPLT1000, RFPLT600, RJ310, WC10
 Number of lights: 2
 Type of lamps used: Halogen
 Total power of the lamps (W): 40; 80

Consumption and connection features

UPC code: 825225893578
 Material: Stainless steel
 Watts (W):
 Current (A): 15
 Volts (V): 120
 Frequency (Hz): 60
 Approval certificates: CSA
 Power cord length (in): 46"
 Power cord length (cm): 116.8
 Plug type: 120V-3 prong
 Overall appliance dimensions (HxWxD) (in): 18" / x 29 15/16" x 24"
 Overall appliance dimensions (HxWxD) (mm): 457 MM x 760 x 610
 Product packaging dimensions (HxWxD) (in): 31.99 x 22.24 x 33.99
 Adjustable feet:
 Height of the chimney (in):
 Height of the chimney (mm):
 Vertical rise height:
 Required distance above cooktop/ranges: 30"/30"
 Net weight (lbs): 70
 Net weight (kg): 32.000
 Gross weight (lbs): 78
 Gross weight (kg): 35.000
 Motor location:
 Maximum CFM:
 Diameter of air duct (in) top: 10
 Diameter of air duct (in) back: 10
 Discharge direction:
 No-return airflow flap: No

2013-07-12