

PH42GWS

27-INCH DEPTH WALL HOOD (42-INCH WIDTH)

PROFESSIONAL® SERIES



FEATURES & BENEFITS

- 27" in depth, a perfect companion to Pro Grand® Professional Ranges
- ★ Equipped with the Thermador Connected Experience by Home Connect™
- Powerfully Quiet® system accepts integral, inline, and remote blowers
- Keep food warm until it's ready to be served with two independently controlled infrared heat lamps
- Beautiful illumination with multi-level, vivid LED lights

ACCESSORIES (OPTIONAL)

25 ft. Blower Connector Cable - EXTNCB25W

EXTNCB25W - For use with the following inline and remote blowers: VTR630W, VTR1030W, VTR1330W, VTI610W, VTI1010W

Roofplates

RFPLT600P - For use with 600 CFM remote blower VTR630W

RFPLT1000P - For use with 1000 CFM remote blower VTR1030W and 1300 CFM blower VTR1330W

6" Tall Duct Cover, 42" Wide DC426W

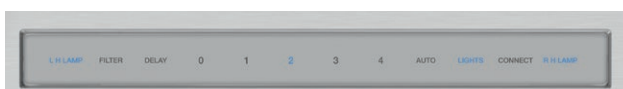
Built-In Remote Control Panel

REMCPU - Ability to vertically install on cabinetry or wall to control hood in a convenient location

Roof Jack RJ310

8" Wall Cap WC8

10" Wall Cap WC10



GENERAL PROPERTIES

Features

Multi-Level LED Lights with Fading Transitions, Infrared Heat Lamps, Automatic Mode, Check Filter Reminder Light, Delay Shut-Off

| | |
|------------------------------|--------------------------|
| Operating Mode | Ducted |
| Number of Speed Settings | 4-Stage |
| Motor Location | Blower (Sold Separately) |
| Number Of Lights | 2 |
| Bulb Type | LED |
| Total Power Of The Lamps (W) | 2.4 |
| Damper Included | Yes |
| Grease Filter Material | Washable Stainless Steel |

Grease Filter Type

Stainless-Steel Commercial Style Baffle Filter

Home Connect™ (Wi-Fi Enabled) Yes

TECHNICAL DETAILS

| | |
|----------------|---------------------|
| Watts (W) | See Chart on Page 3 |
| Current (A) | See Chart on Page 3 |
| Volts (V) | 120 V |
| Frequency (Hz) | 60 Hz |
| Plug Type | 120V-3 Prong |

DIMENSIONS & WEIGHT

| | |
|----------------------------------------------------------------------|-----------------------|
| Overall Appliance Dimensions (Width Of Canopy Included) (HxWxD) (in) | 18" x 41 15/16" x 27" |
| Required Distance Above Cooktop / Range Cooking Surface | 30" / 30" |
| Diameter of Air Duct (in) Top | 10" |
| Diameter of Air Duct (in) Back | 10" |
| Net Weight (lbs) | 85 lbs |

ACCESSORIES (REQUIRED)

Blower (Sold Separately)

BLOWER OPTIONS

| | |
|-----------------------------------------------------------|---------------------|
| Remote Blower (Mounted to Roof or External Wall) | VTR630W - 600 CFM |
| | VTR1030W - 1000 CFM |
| | VTR1330W - 1300 CFM |
| Inline Blower (Mounted Between Kitchen and External Wall) | VTI610W - 600 CFM |
| | VTI1010W - 1000 CFM |
| Integrated Blower (Mounted in Hood) | VTN630W - 600 CFM |
| | VTN1090R - 1000 CFM |

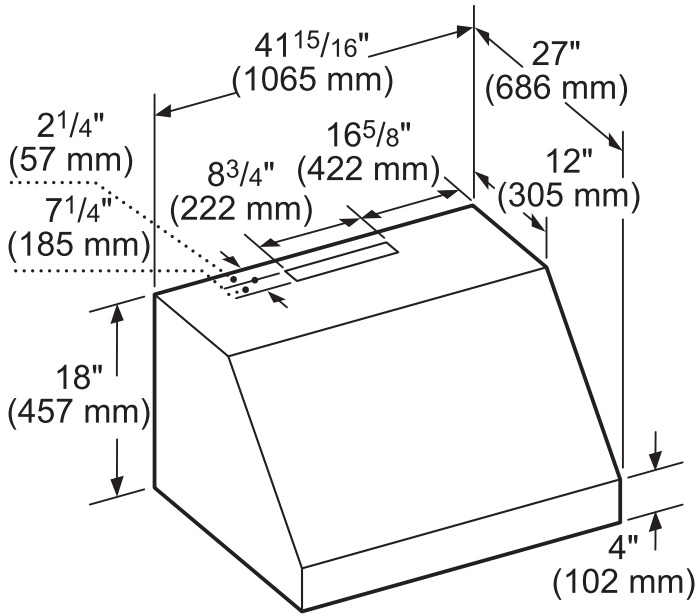
WARRANTY

Limited Warranty Parts And Labor 2 Year

PH42GWS
27-INCH DEPTH WALL HOOD
(42-INCH WIDTH)
PROFESSIONAL® SERIES



HOOD DIMENSIONS

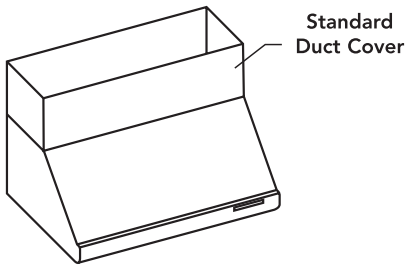


measurements in inches (mm)

OPTIONAL ACCESSORIES

42" WIDE DUCT COVER
DC426W 6" TALL

Stainless steel duct cover for wall hood applications



REMOTE CONTROL PANEL
REMCPW



Convenience at your fingertips: The remote control accessory offers the freedom to extend your hood controls to a more reachable spot

PH42GWS

27-INCH DEPTH WALL HOOD (42-INCH WIDTH)

PROFESSIONAL® SERIES

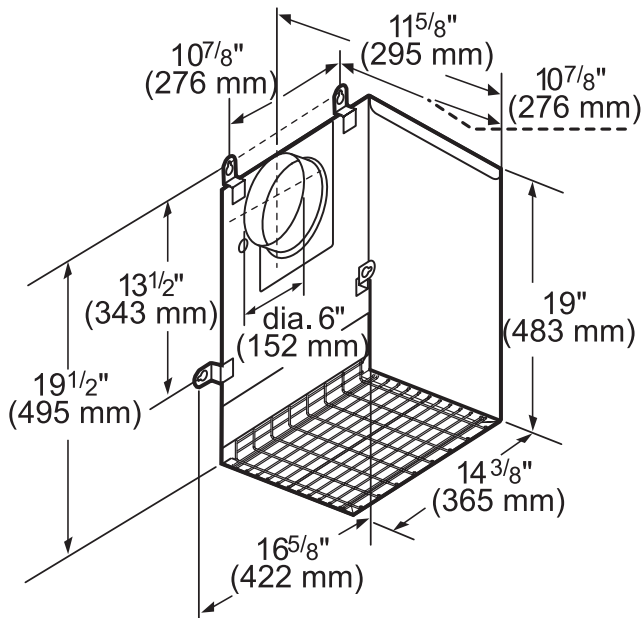


| MODEL | DESCRIPTION | | ELECTRIC LOAD | | | | | | |
|---------|---------------------|-------|---------------|----------|---------|----------|---------|----------|----------|
| | | | VTN630W | VTN1090W | VTI610W | VTI1010W | VTR630W | VTR1030W | VTR1330W |
| PH42GWS | 42" Grand Wall Hood | Amps | 9.2 | 12.6 | 11.1 | 13.0 | 11.1 | 13.0 | 16.5 |
| | | Watts | 1,104 | 1,512 | 1,332 | 1,560 | 1,332 | 1,560 | 1,980 |

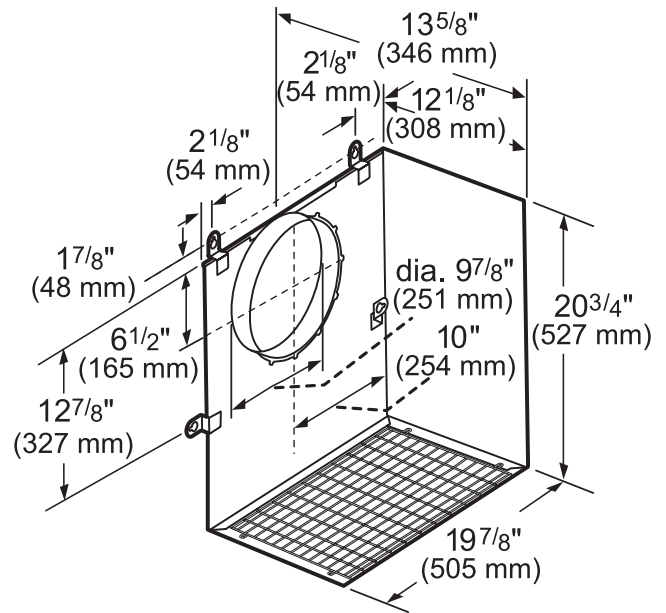
REMOTE BLOWERS (MOUNTED TO ROOF OR EXTERNAL WALL)

VTR630W-600 CFM

VTR1030W-1000 CFM

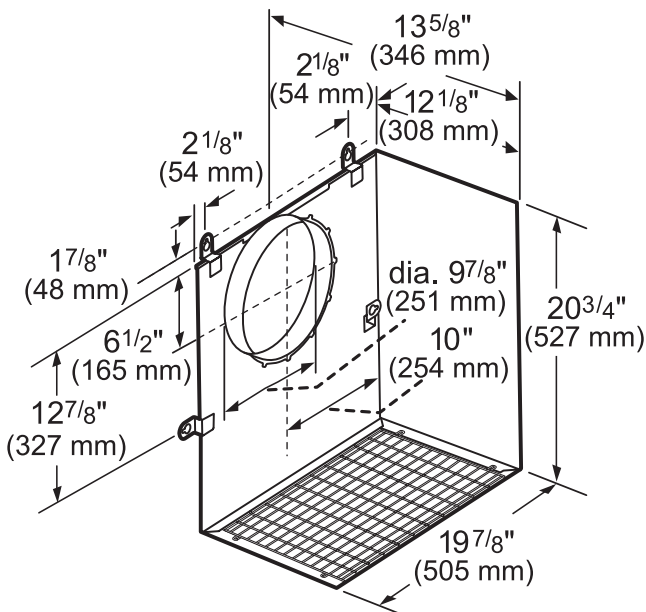


measurements in inches and mm



measurements in inches and mm

VTR1330W-1300 CFM



measurements in inches and mm

PH42GWS
27-INCH DEPTH WALL HOOD
(42-INCH WIDTH)
PROFESSIONAL® SERIES



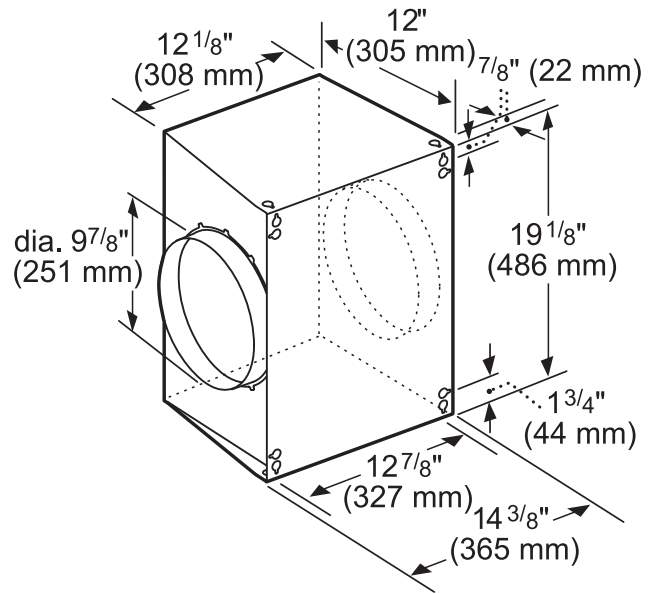
INLINE BLOWERS (MOUNTED BETWEEN KITCHEN AND EXTERNAL WALL)

VTI610W-600 CFM



measurements in inches and mm

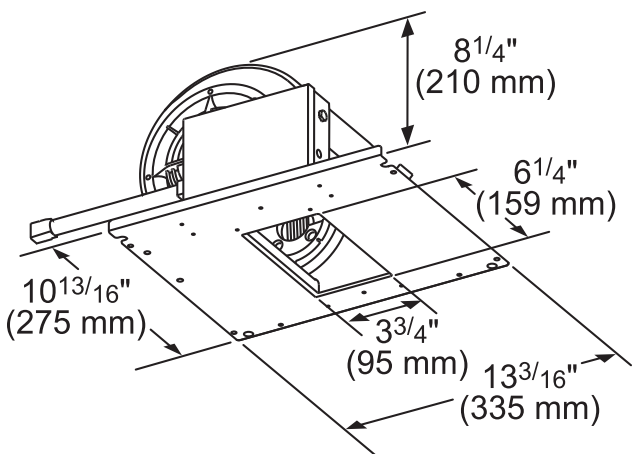
VTI1010W-1000 CFM



measurements in inches and mm

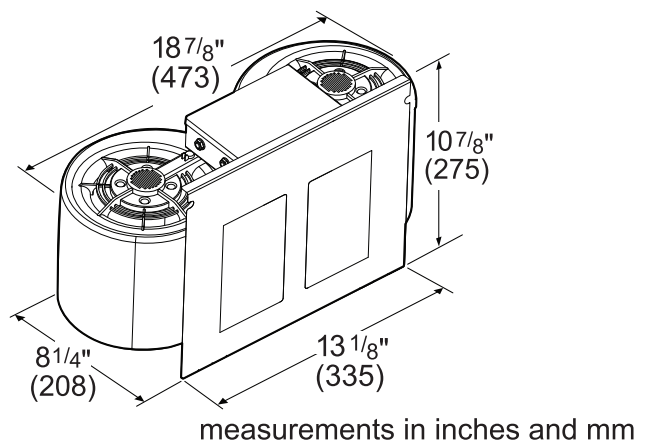
INTEGRATED BLOWERS (MOUNTED IN HOOD)

VTN630W-600 CFM



measurements in inches (mm)

VTN1090R-1000 CFM



measurements in inches and mm

PH42GWS
27-INCH DEPTH WALL HOOD
(42-INCH WIDTH)
PROFESSIONAL® SERIES

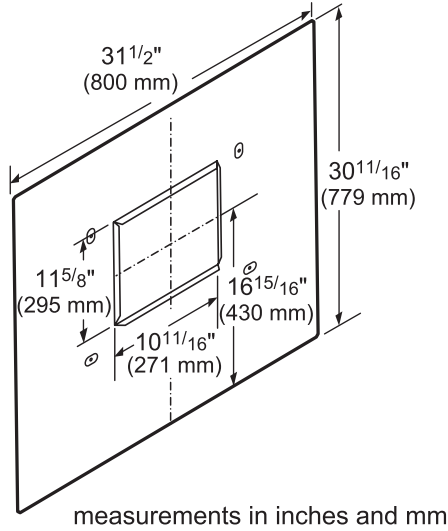


REMOTE BLOWER ACCESSORIES

ROOFPLATE-RFPLT600P



ROOFPLATE-RFPLT1000P

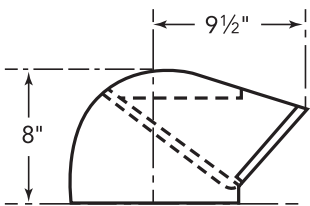


EXTNCB25W

For use with the following Inline and Remote Blowers: VTR630W, VTR1030W, VTR1330W, VTI610W, VTI1010W

ROOF JACK & TRANSITION

ROOF JACK-RJ310

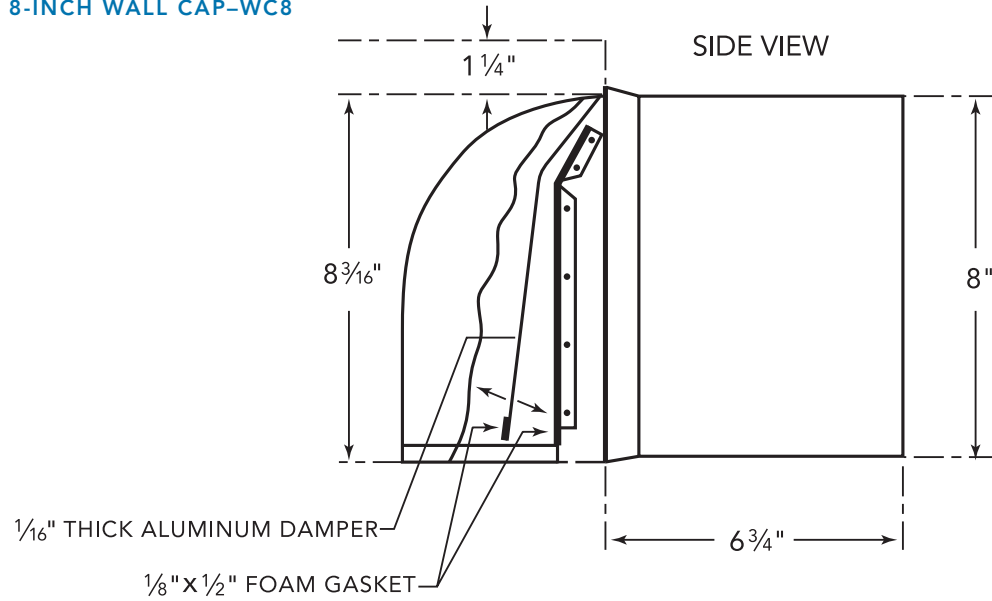


PH42GWS
27-INCH DEPTH WALL HOOD
(42-INCH WIDTH)
PROFESSIONAL® SERIES

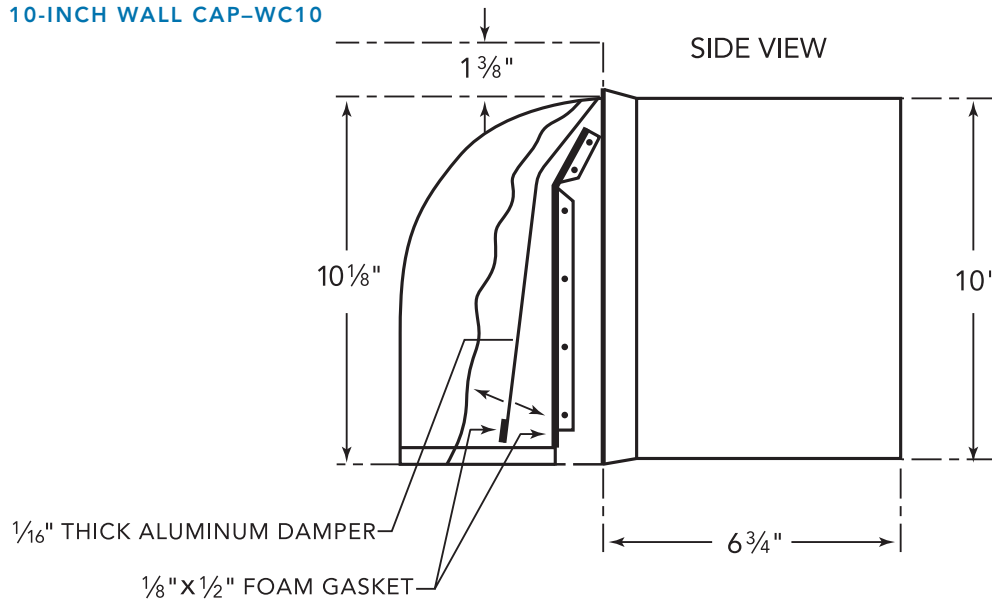


WALL CAPS

8-INCH WALL CAP-WC8



10-INCH WALL CAP-WC10



These warranties give you specific legal rights and you may have other rights that vary from state to state. Full warranty and limited warranty from date of installation. For complete warranty details, refer to your Use & Care manual, or ask your dealer.

Specifications are for planning purposes only. Refer to installation instructions and consult your countertop supplier prior to making counter opening. Consult with a heating and ventilation engineer for your specific ventilation requirements. For the most detailed information, refer to installation instructions accompanying product or write to Thermador indicating the model number. Specifications are correct at time of printing. Thermador reserves the right to change product specifications or design without notice. Some models are certified for use in Canada. Thermador is not responsible for products that are transported from the U.S. for use in Canada.