

# PH48GS 27-INCH DEPTH WALL HOOD (48-INCH WIDTH)

PROFESSIONAL SERIES



42-inch model PH42GS shown

## FEATURES & BENEFITS

- Three fan speeds
- Auto function senses heat from the cooking surface and adjusts fan speeds
- Powerfully Quiet ventilation systems
- Extended capture area ensures removal of smoke and odor
- Built-in 'Clean Filter' reminder light illuminates after 40 hours of operation
- 27" depth hood is a perfect companion to the Pro Grand Professional Range

## ACCESSORIES (OPTIONAL)

25 ft. Blower Connector Cable - EXTNCB25

For use with the following Inline and Remote Blowers:  
VTR630D, VTR1030D, VTR1330E, VTI610D, VTI1010D

Roofplates

RFPLT600 - For use with 600 CFM Remote Blower VTR630D

RFPLT1000 - For use with 1000 CFM Remote Blower VTR1030D and 1300 CFM Blower VTR1330E

|   |         |
|---|---------|
| 48" W Keep-Hot Shelf                    | KHS48QS |
| 48" W, 6" H Stainless Steel Duct Cover  | DC48US  |
| 48" W, 12" H Stainless Steel Duct Cover | DCT48US |
| 48" W Stainless Steel Backsplash        | PA48JBS |
| Roof Jack                               | RJ310   |
| Wall Cap                                | WC10    |

## GENERAL PROPERTIES

|                              |                          |
|------------------------------|--------------------------|
| Operating Mode               | Ducted                   |
| Maximum CFM                  | N/A                      |
| Number of Speed Settings     | 3-Stage                  |
| Motor Location               | Blower (Sold Separately) |
| Number Of Lights             | 4                        |
| Bulb Type                    | 20 W - G9 Base           |
| Total Power Of The Lamps (W) | 80 W                     |
| Damper Included              | Yes                      |
| Grease Filter Material       | Washable Stainless Steel |
| Grease Filter Type           | Commercial-Style Baffle  |

## TECHNICAL DETAILS

|                |              |
|----------------|--------------|
| Watts (W)      | N/A          |
| Current (A)    | 15; 20 A     |
| Volts (V)      | 120 V        |
| Frequency (Hz) | 60 HZ        |
| Plug Type      | 120V-3 Prong |

## DIMENSIONS & WEIGHT

|  |  |
|--|--|
| Overall Appliance Dimensions (Width Of Canopy Included) (HxWxD) (in) | 18" x 47 <sup>15</sup> / <sub>16</sub> " x 27" |
| Required Distance Above Cooktop / Range Cooking Surface              | 30" / 30"                                      |
| Diameter of Air Duct (in) Top  | 10"  |
| Diameter of Air Duct (in) Back                                       | 10"  |
| Net Weight (lbs)   | 98 lbs   |

## ACCESSORIES (REQUIRED)

Blower (Sold Separately)

## BLOWER OPTIONS

|  |                     |
|--|---------------------|
| Remote Blower<br>(Mounted to Roof or External Wall)          | VTR630D - 600 CFM   |
|  | VTR1030D - 1000 CFM |
|  | VTR1330E - 1300 CFM |
| Inline Blower<br>(Mounted Between Kitchen and External Wall) | VTI610D - 600 CFM   |
|  | VTI1010D - 1000 CFM |
| Integrated Blower (Mounted in Hood)                          | VTN630N - 600 CFM   |
|  | VTN1030N - 1000 CFM |

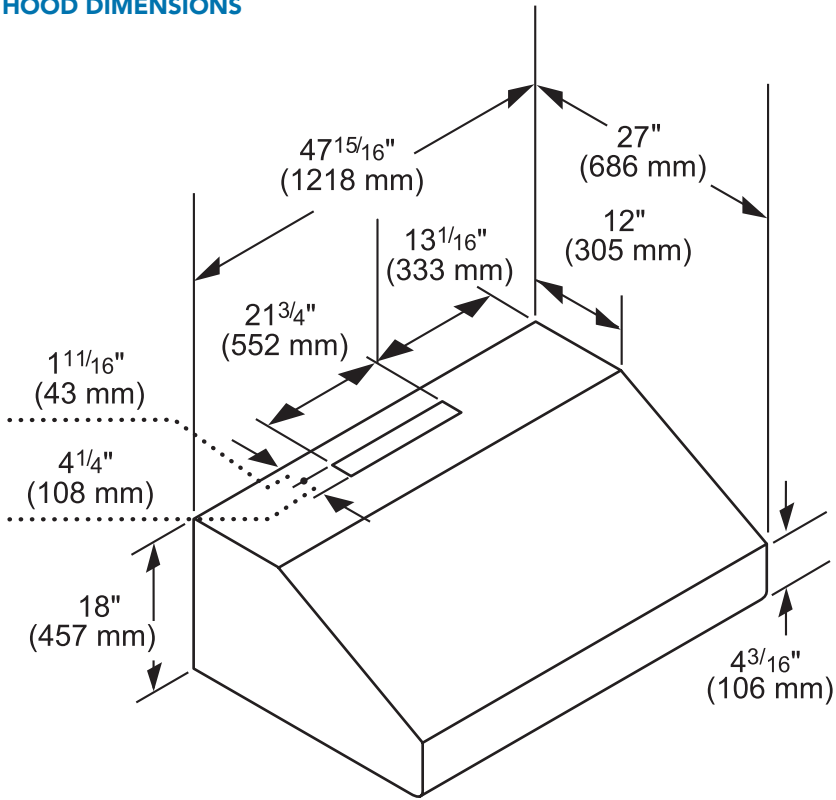
## WARRANTY

|                                  |        |
|----------------------------------|--------|
| Limited Warranty Parts And Labor | 2 Year |
|----------------------------------|--------|

**PH48GS**  
**27-INCH DEPTH WALL HOOD (48-INCH WIDTH)**  
PROFESSIONAL SERIES



**HOOD DIMENSIONS**



measurements in inches and mm

# PH48GS 27-INCH DEPTH WALL HOOD (48-INCH WIDTH)

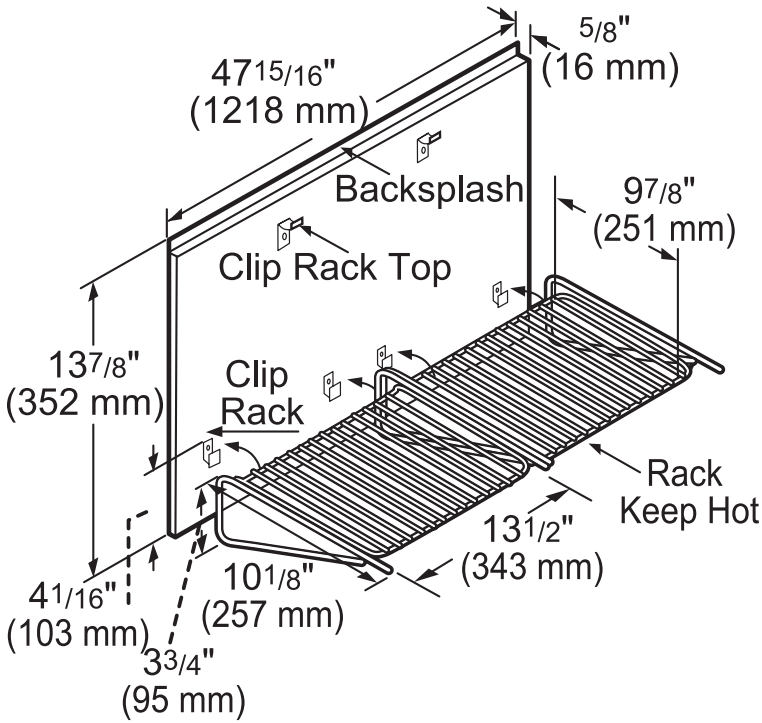
PROFESSIONAL SERIES



## OPTIONAL ACCESSORIES

### KEEP-HOT SHELF KHS48QS 48" WIDE

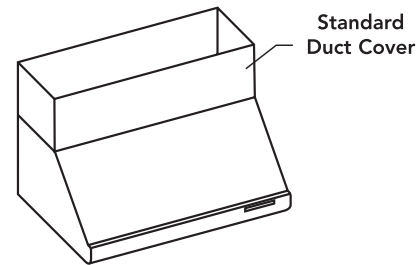
- Stainless steel finish
- Convenient shelf allows dishes to keep hot at serving temperature.
- Includes stainless steel backguard and two shelves.



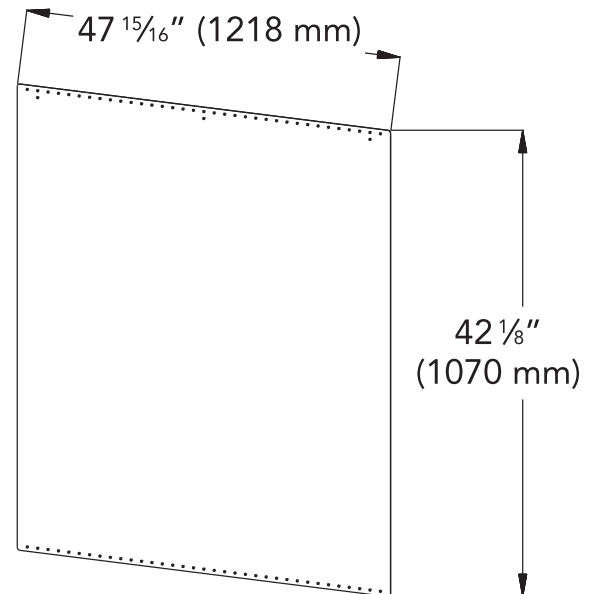
measurements in inches and mm

### 48" WIDE DUCT COVER DC48US 6" HIGH DCT48US 12" HIGH

Stainless steel duct cover for wall hood applications



### STAINLESS STEEL BACKSPLASH PA48JBS 48" WIDE



# PH48GS 27-INCH DEPTH WALL HOOD (48-INCH WIDTH)

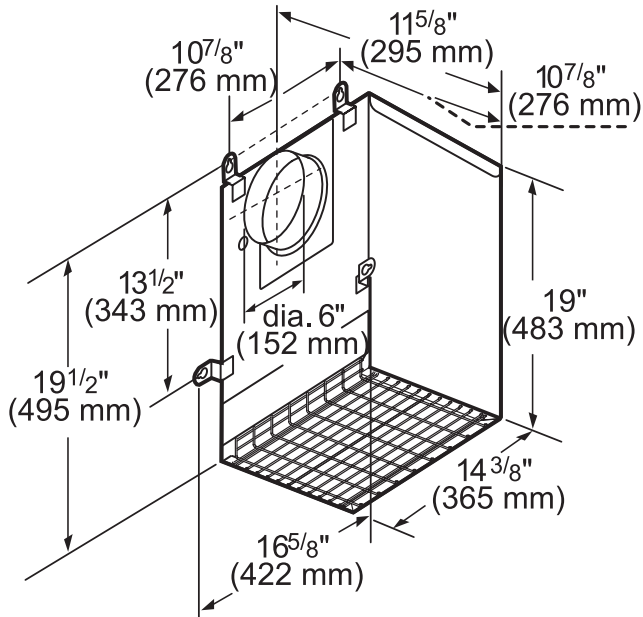
PROFESSIONAL SERIES



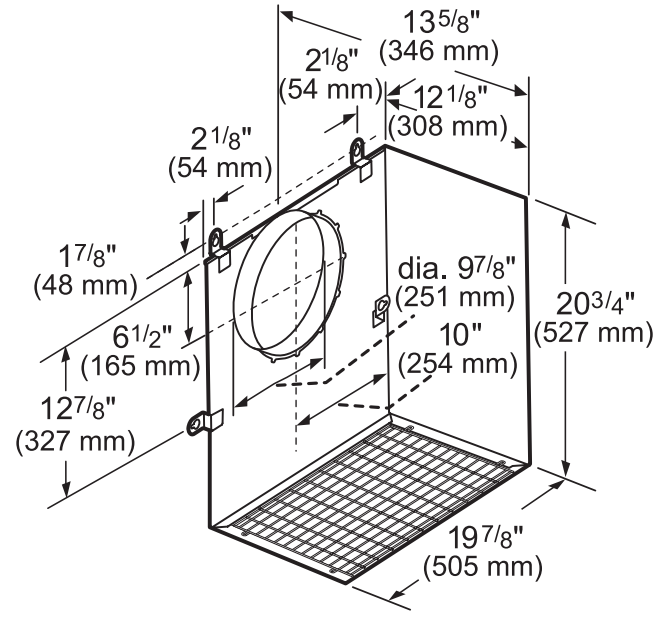
REMOTE BLOWERS (MOUNTED TO ROOF OR EXTERNAL WALL)

VTR630D-600 CFM

VTR1030D-1000 CFM

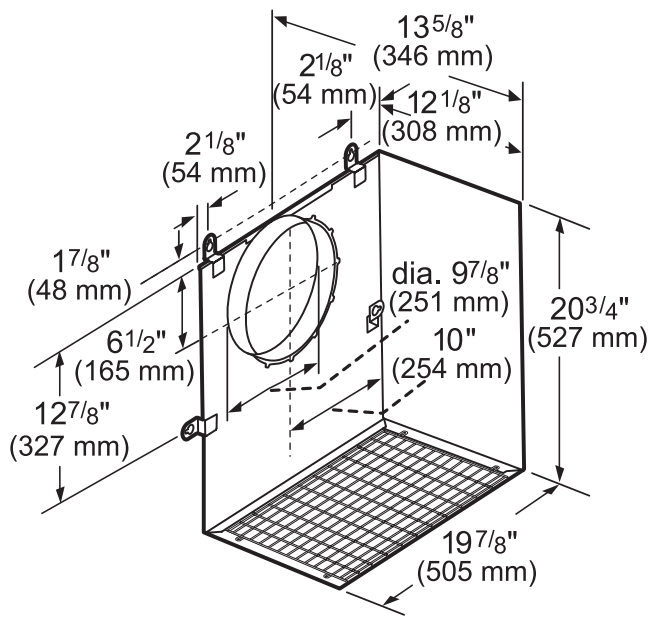


measurements in inches and mm



measurements in inches and mm

VTR1330E-1300 CFM



measurements in inches and mm

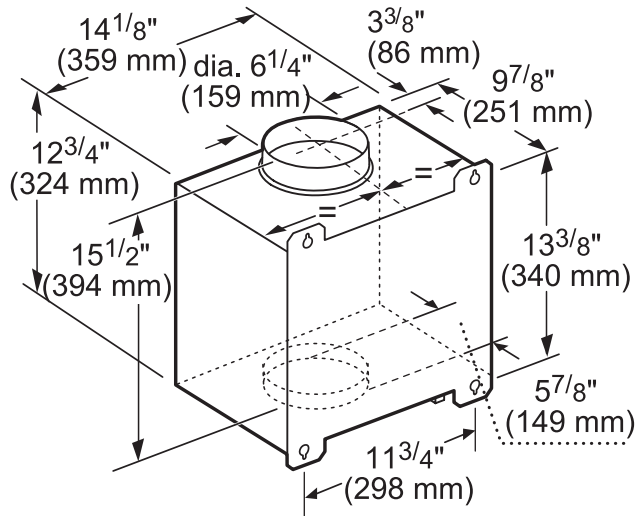
# PH48GS 27-INCH DEPTH WALL HOOD (48-INCH WIDTH)

PROFESSIONAL SERIES



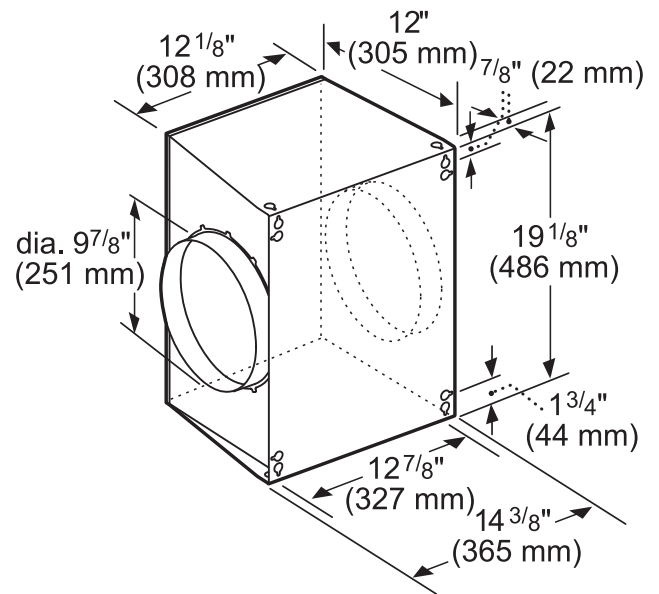
## INLINE BLOWERS (MOUNTED BETWEEN KITCHEN AND EXTERNAL WALL)

### VTI610D-600 CFM



measurements in inches and mm

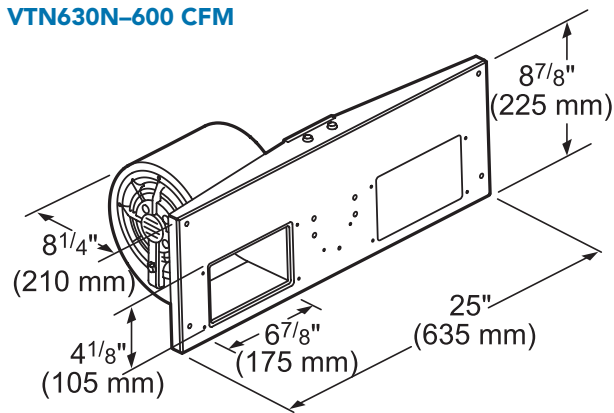
### VTI1010D-1000 CFM



measurements in inches and mm

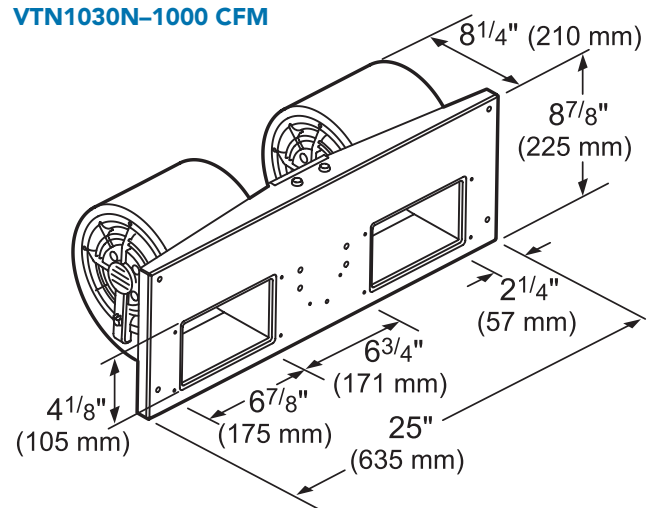
## INTEGRATED BLOWERS (MOUNTED IN HOOD)

### VTN630N-600 CFM



measurements in inches and mm

### VTN1030N-1000 CFM



# PH48GS

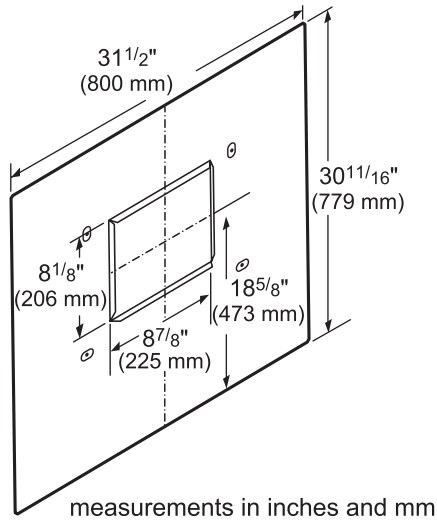
## 27-INCH DEPTH WALL HOOD (48-INCH WIDTH)

PROFESSIONAL SERIES

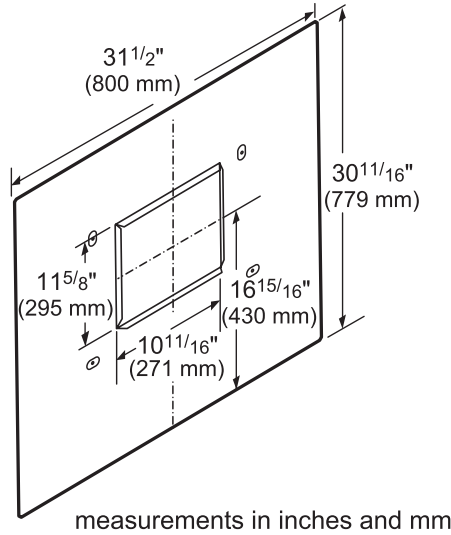


### REMOTE BLOWER ACCESSORIES

#### ROOFPLATE RFPLT600



#### ROOFPLATE RFPLT1000

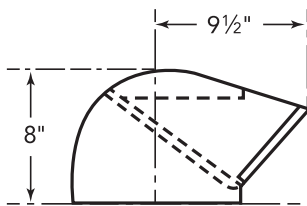


#### EXTNCB25

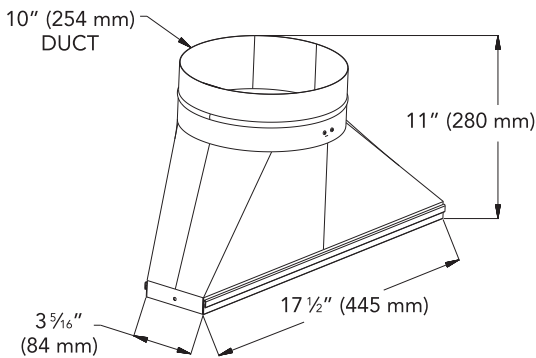
25 ft. Blower Connector Cable for use with the following Inline and Remote blowers: VTR630D, VTR1030D, VTR1330E, VT1610D, VT11010D

### ROOF JACK & TRANSITION

#### ROOF JACK-RJ310

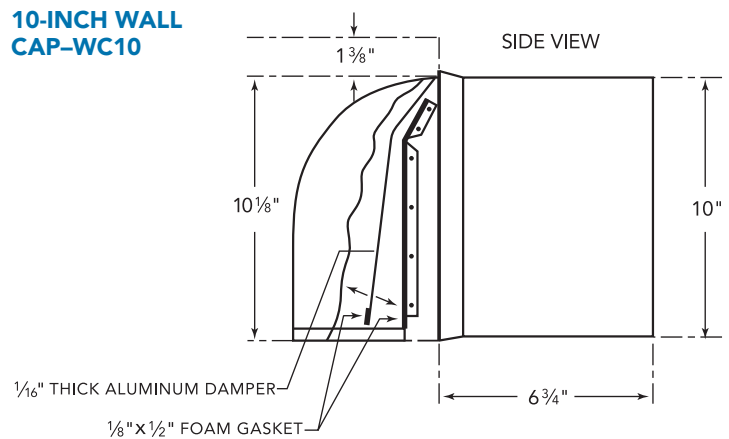


#### TRANSITION



### WALL CAPS

#### 10-INCH WALL CAP-WC10



These warranties give you specific legal rights and you may have other rights that vary from state to state. Full warranty and limited warranty from date of installation. For complete warranty details, refer to your Use & Care manual, or ask your dealer.

Specifications are for planning purposes only. Refer to installation instructions and consult your countertop supplier prior to making counter opening. Consult with a heating and ventilation engineer for your specific ventilation requirements. For the most detailed information, refer to installation instructions accompanying product or write to Thermador indicating the model number. Specifications are correct at time of printing. Thermador reserves the right to change product specifications or design without notice. Some models are certified for use in Canada. Thermador is not responsible for products that are transported from the U.S. for use in Canada.