

Masterpiece® Series

30" Downdraft

UCVM30FS



UCVM30FS Stainless steel

Performance

- 3 fan speeds
- Filter systems are highly efficient at capturing grease
- Powerfully quiet ventilation systems

Design

- Suitable for wall or island applications
- Brushed stainless steel finish
- Easy to operate control buttons

Capacity

- Downdraft rises over 13" to capture steam from the tallest pots
- 600 CFM Integrated Blower option VTN600CV2C
- Inline Blowers: VT1610D (600 CFM) or VT11010D (1000 CFM)
- Remote Blowers: VTR630D (600CFM), VTR1030D (1000CFM)
- Requires Transition CV2T6 for Remote and Inline Blowers
- Remote Blower requires Roof Plate RFPLT600 for roof installations (600 CFM)
- Remote Blowers require Roof Plate RFPLT1000 for roof installations (1000/1300 CFM)
- Downdraft recirculation possible with module RECIRC36DF
- Replacement charcoal filters available (CHFILT3036)

Convenience

- Dishwasher safe full-face filters also act as a splatter shield
- Blowers sold separately
- Choose from Inline, Remote or Integrated Blowers

Optional accessories

RECIRC36DF Downdraft Recirculation Module

RFPLT1000 Roof mounting plate for VTR1030D

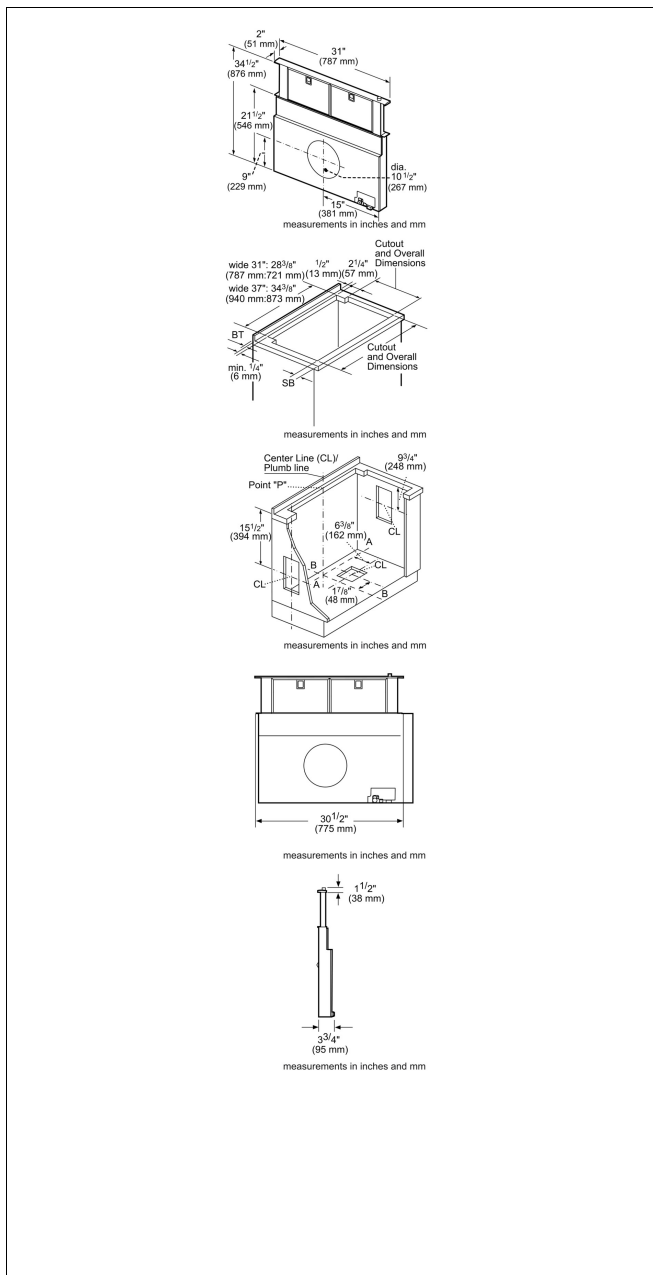
RFPLT600 Roof mounting plate for VTR630D

825225865773

Masterpiece® Series

30" Downdraft

UCVM30FS



Product Features

- Operating Mode: Convertable: Ducted / Recirculating
- Number of speed settings: 3-stage
- Required accessories: Blower
- Optional accessories: RECIRC36DF, RFPLT1000, RFPLT600
- Grease filter material: aluminium
- Grease filter type: Multilayer cassette

Consumption and connection features

- UPC code: 825225865773
- Material: Stainless steel
- Watts (W):
- Current (A): 10
- Volts (V): 120
- Frequency (Hz): 60
- Approval certificates: CSA, UL
- Power cord length (in): 51 "
- Power cord length (cm): 150.0
- Plug type: 120V-3 prong
- Overall appliance dimensions (HxWxD) (in): 34 1/2" / 34 1/2" x 31" x 3 3/4"
- Overall appliance dimensions (HxWxD) (mm): 876 MM x 788 x 95
- Product packaging dimensions (HxWxD) (in): 7.48 x 32.67 x 27.16
- Adjustable feet:
- Height of the chimney (in):
- Height of the chimney (mm):
- Vertical rise height: 13"
- Required distance above cooktop/ranges:
- Net weight (lbs): 37
- Net weight (kg): 17.000
- Gross weight (lbs): 41
- Gross weight (kg): 19.000
- Motor location:
- Maximum CFM:
- Diameter of air duct (in) top:
- Diameter of air duct (in) back: 10
- Discharge direction:
- No-return airflow flap: No

2013-07-12