

UCVM30RS

30-INCH DOWNDRAFT VENTILATION

MASTERPIECE® SERIES



FEATURES & BENEFITS

- 15" telescopic design rises to capture heat, smoke, grease, and steam
- Flexible discharge design gives 5 configurations to maximize space
- Remote or inline blowers to reduce noise, integral for top performance
- Features automatic mode, delay shut-off, and check filter light
- Recirculation kit available, use with induction/electric cooktops only

BLOWERS AND TRANSITIONS

Remote Blowers

VTR630P – 600 CFM

VTR1030P – 1000 CFM

VTR1330P – 1300 CFM

Inline Blowers

VTI610P – 600 CFM

VTI1010P – 1000 CFM

Flexible Blower

VTD600P – 600 CFM

Remote and Inline Blower Downdraft Transitions

CVTSIDE6 – 6" Side / Rear Transition

CVTSIDE8 – 8" Side / Rear Transition

CVTSIDE10 – 10" Side / Rear Transition

CVTFRONT6 – 6" Round Front Plate

CVTFRONT8 – 8" Round Front Plate

CVTFRONT10 – 10" Round Front Plate

CVDUCT2 – 2' Rectangular Duct

CVTRECT2 – Transition for Rectangular Duct

GENERAL PROPERTIES

Operating Mode	Convertible: Ducted / Recirculating
Maximum CFM	Blower Sold Separately
Number of Speed Settings	3-Stage
Sones*	1.5 LS / 11.1 HS
Motor Location	External
Number of Lights	N/A
Bulb Type	N/A
Damper Included	No
Grease Filter Material	Washable Synthetic
Grease Filter Type	Multilayer Cassette

TECHNICAL DETAILS

Current (A)	10 A
Volts (V)	120 V
Frequency (Hz)	60 Hz
Plug Type	120V-3 prong
Power Cord Length (in)	30"

DIMENSIONS & WEIGHT

Overall Appliance Dimensions (Width of Canopy Included) (HxWxD) (in)	44 3/8" x 31" x 2 3/4"
Height of the Rise (in.)	15"
Diameter of Air Duct (in.) Internal	8"
Diameter of Air Duct (in.) External	6", 8" or 10"
Net Weight (lbs)	37 lbs

ACCESSORIES (REQUIRED)

Blower (Sold Separately)

WARRANTY

Limited Warranty Parts and Labor	2 Year
----------------------------------	--------

ACCESSORIES (OPTIONAL)

Recirculation Kit – Use with induction/electric cooktops only

UCVRECIRC

Replacement Charcoal Filters

UCVFILTER

Downdraft Gas Cooktop Seal Trim Kit (Required for Installation with Gas Cooktops)

UCV30ST

5 ft. Electrical Panel Extension Cable

EXTNCE5

Roofplates

RFPLT600P – For Use with Remote Blower VTR630P

RFPLT1000P – For Use with 1000 CFM Remote Blower VTR1030P and 1300 CFM Blower VTR1330P

*Sound test performed as per HVI standards at independent lab.

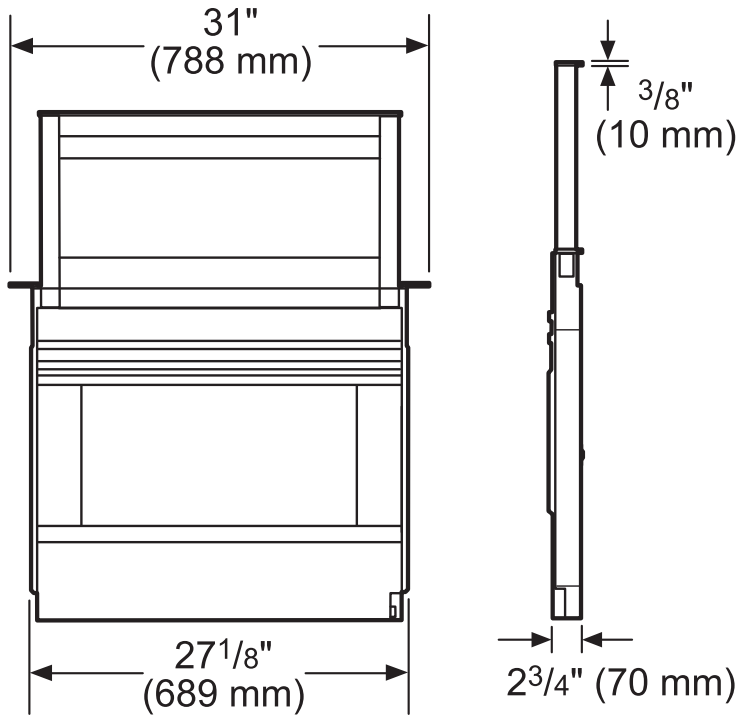
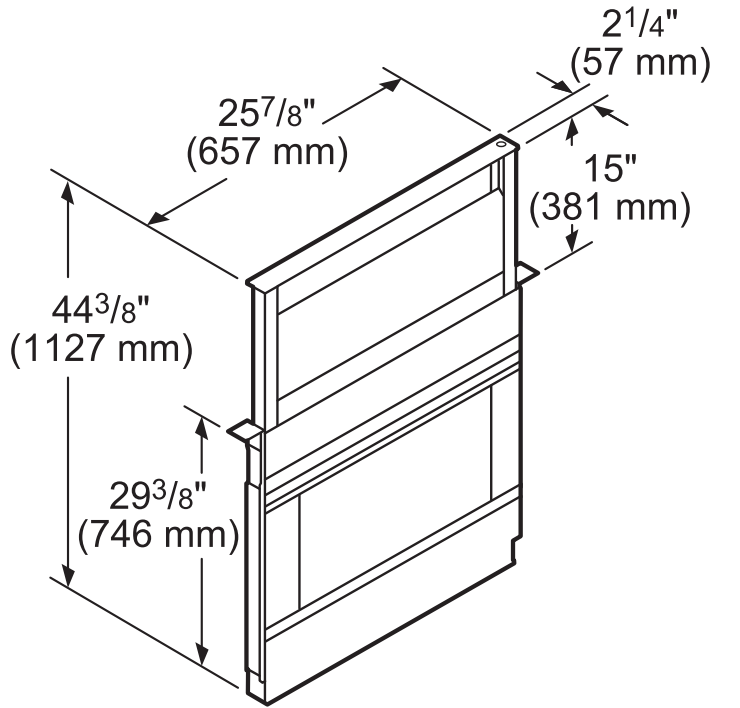
UCVM30RS

30-INCH DOWNDRAFT VENTILATION

MASTERPIECE® SERIES



HOOD DIMENSIONS



measurements in inches (mm)

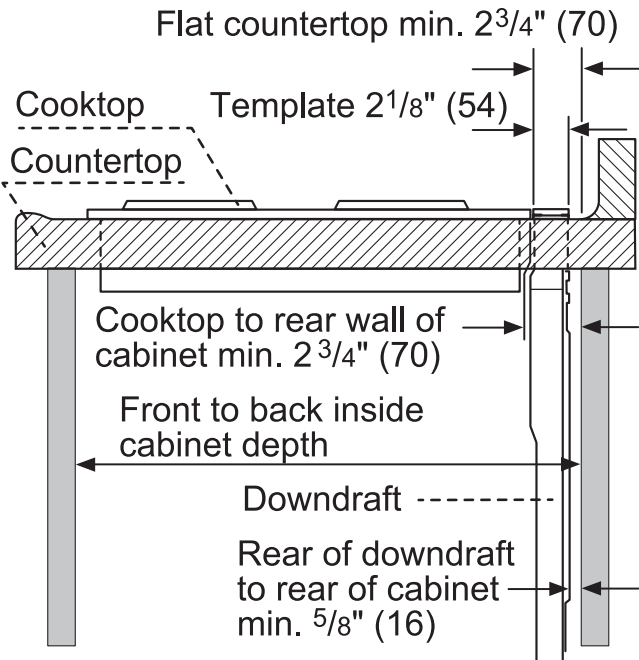
UCVM30RS

30-INCH DOWNDRAFT VENTILATION

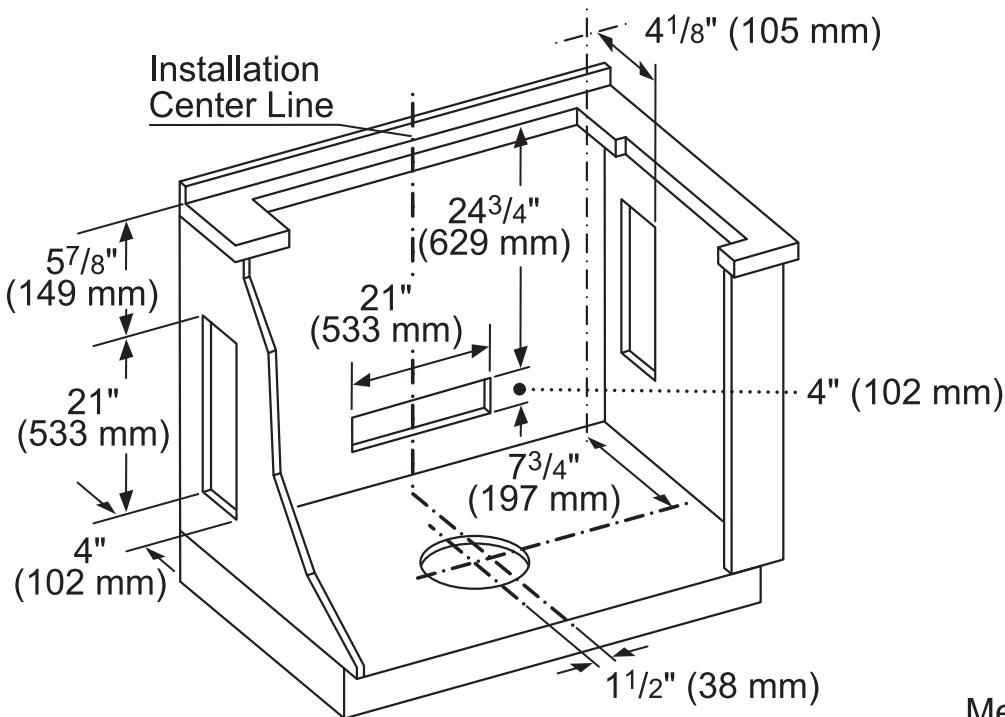
MASTERPIECE® SERIES



CUTOUT AND CLEARANCE DIMENSIONS



measurements in inches and (mm)



Measurements in inches (mm)

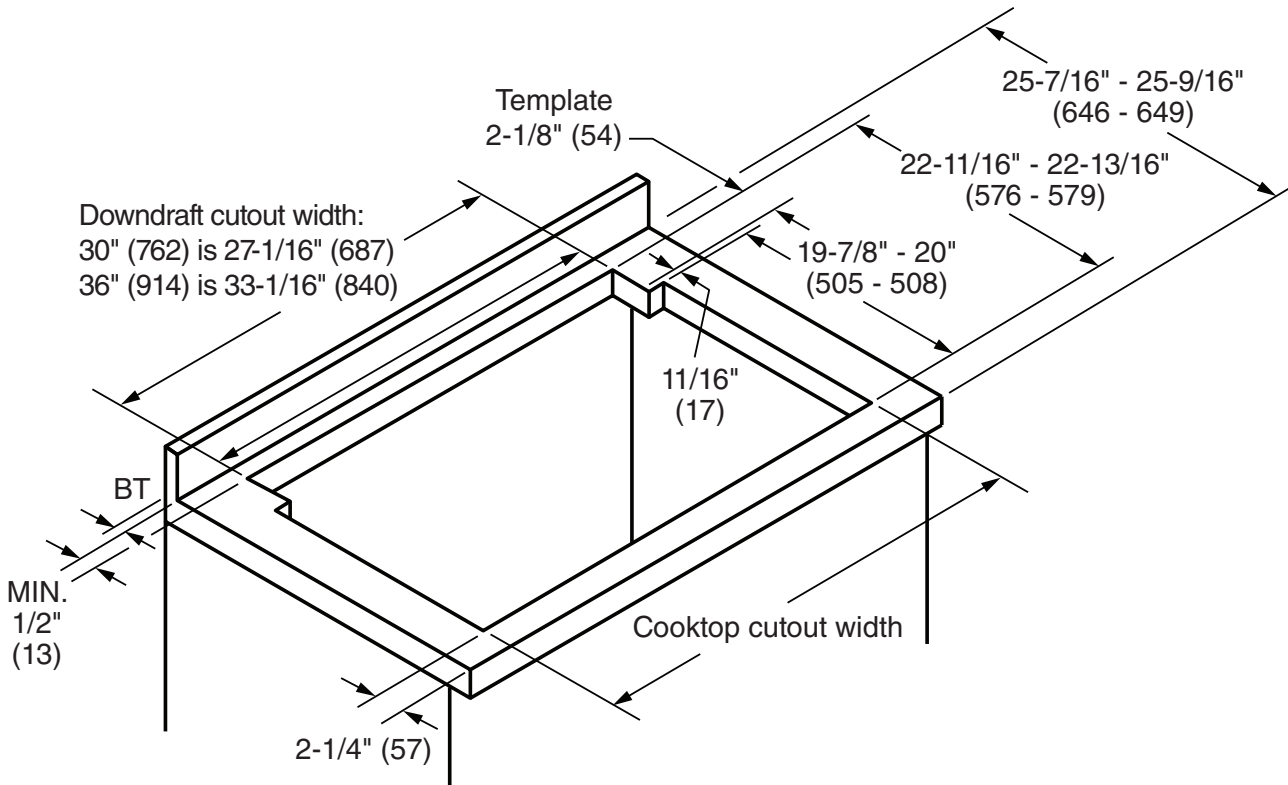
UCVM30RS

30-INCH DOWNDRAFT VENTILATION

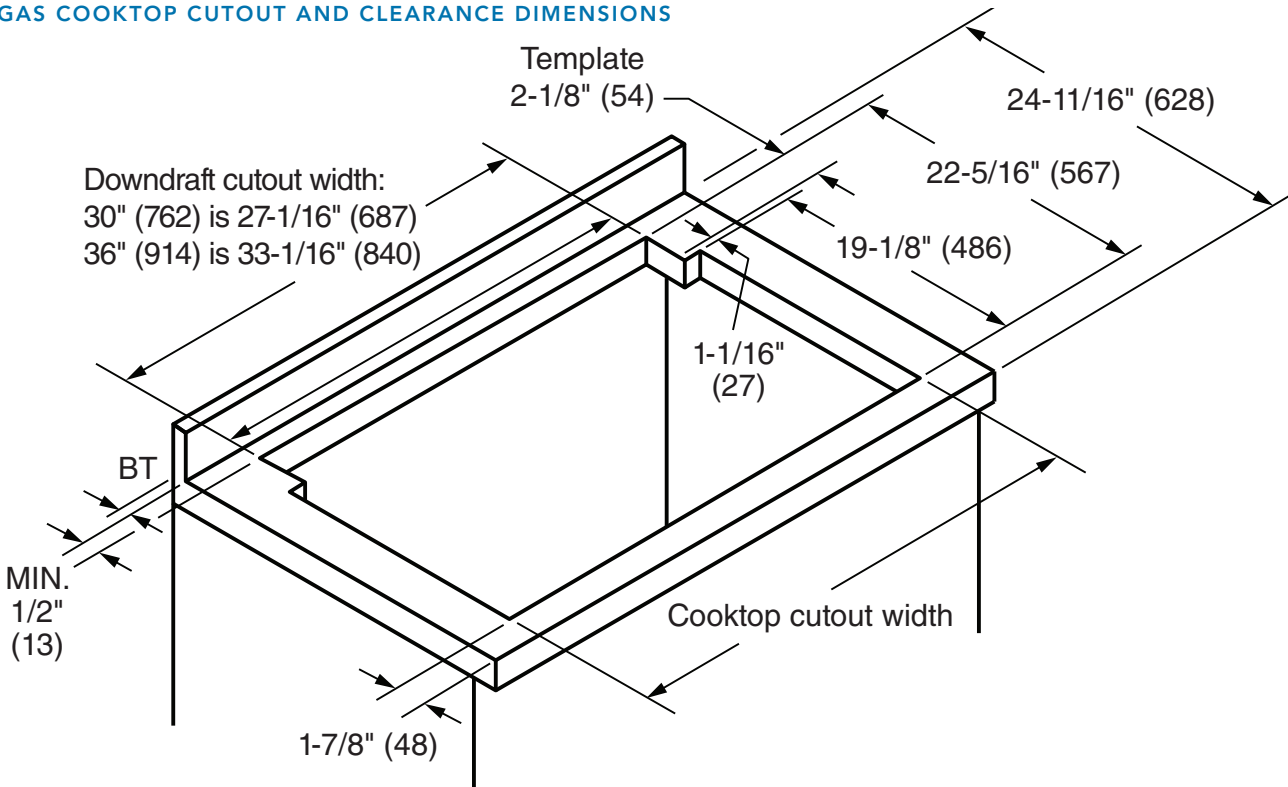
MASTERPIECE® SERIES



ELECTRIC OR INDUCTION COOKTOP CUTOUT AND CLEARANCE DIMENSIONS



GAS COOKTOP CUTOUT AND CLEARANCE DIMENSIONS



UCVM30RS

30-INCH DOWNDRAFT VENTILATION

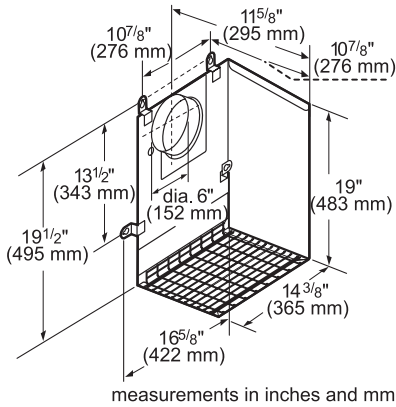
MASTERPIECE® SERIES



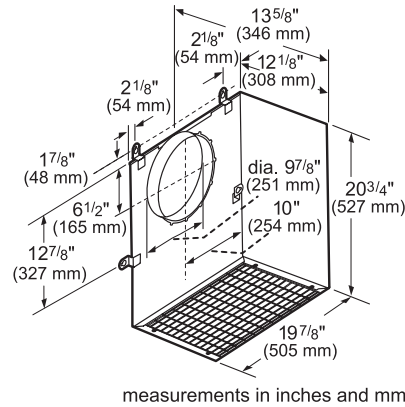
REMOTE OR INLINE BLOWER INSTALLATION

AVAILABLE REMOTE BLOWERS

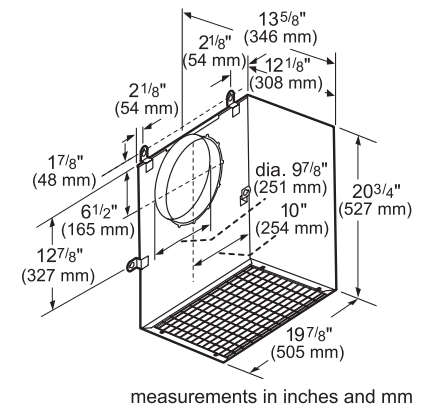
VTR630P – 600 CFM



VTR1030P – 1000 CFM

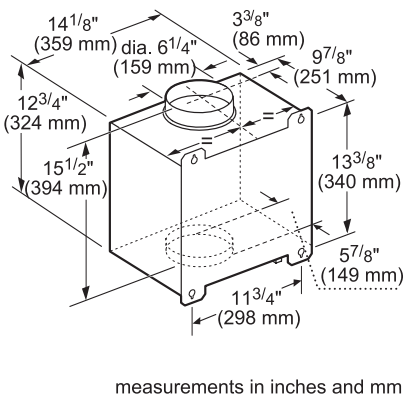


VTR1330P – 1300 CFM

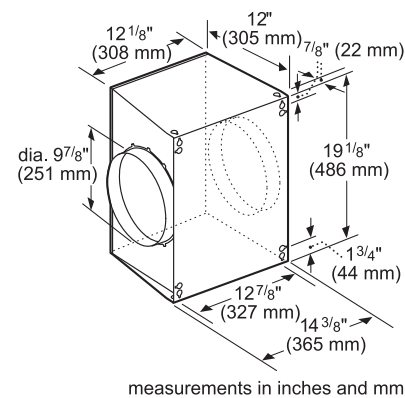


AVAILABLE INLINE BLOWERS

VTI610P – 600 CFM

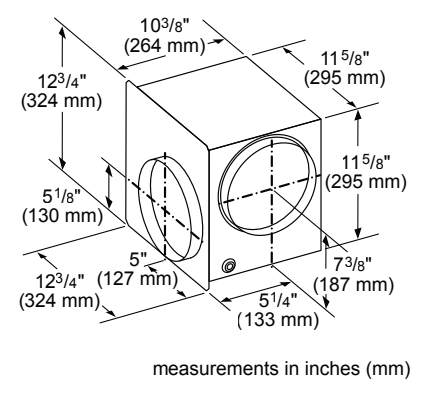


VTI1010P – 1000 CFM



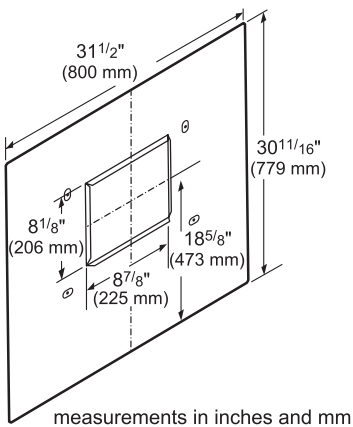
AVAILABLE FLEXIBLE BLOWER

VTD600P – 600 CFM

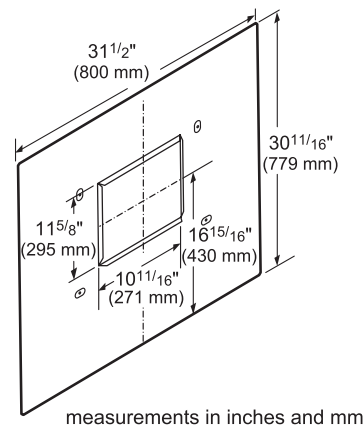


AVAILABLE ROOFPLATES

RFPLT600P – FOR USE WITH REMOTE BLOWER VTR630P



RFPLT1000P – FOR USE WITH 1000 CFM REMOTE BLOWER VTR1030P AND 1300 CFM BLOWER VTR1330P



UCVM30RS

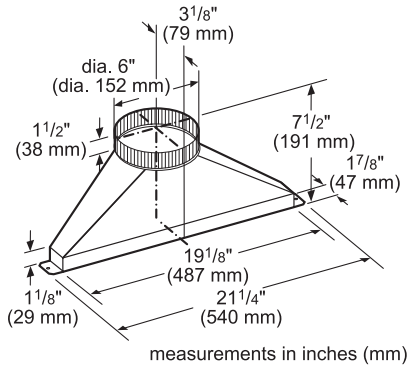
30-INCH DOWNDRAFT VENTILATION

MASTERPIECE® SERIES

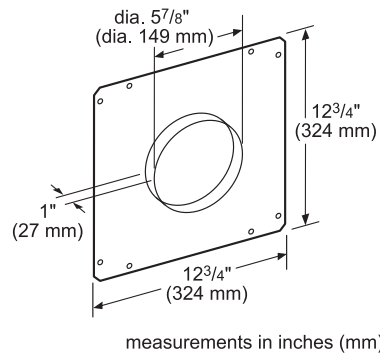


REMOTE OR INLINE BLOWER INSTALLATION CONTINUED

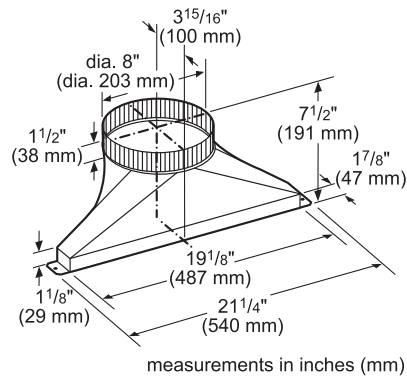
BLOWER DOWNDRAFT TRANSITIONS



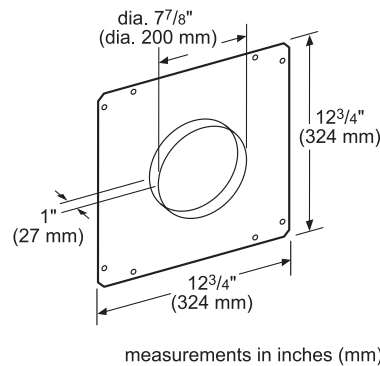
CVTSIDE6
6" round transition allows for left, right, or rear venting. Use with inline and remote blowers, and ducting with 6" round duct connections.



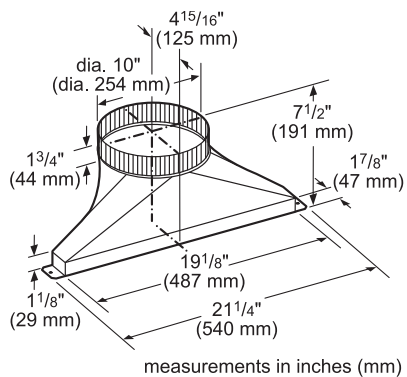
CVTFRONT6
6" front rough-in plate allows for front venting. Use with inline and remote blowers, and ducting with 6" round duct connections.



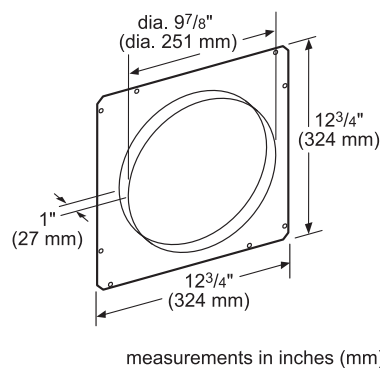
CVTSIDE8
8" round transition allows for left, right, or rear venting. Use with VTD600P blower as an inline installation, and ducting with 8" round duct connections.



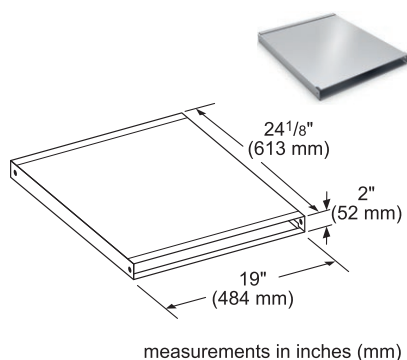
CVTFRONT8
8" round front plate allows for front downward venting. Use with VTD600P blower as an inline installation, and ducting with 8" round duct connections.



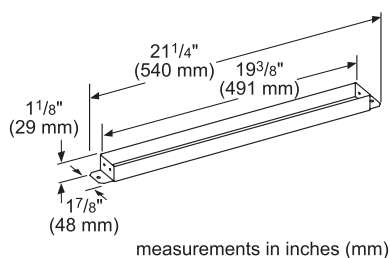
CVTSIDE10
10" round transition allows for left, right, or rear venting. Use with inline and remote blowers, and ducting with 10" round duct connections.



CVTFRONT10
10" front rough-in plate allows for front venting. Use with inline and remote blowers, and ducting with 10" round duct connections.



CVDUCT2
Rectangular 2 ft. long x 1 7/8 in deep x 19 in wide duct. CVDUCT2 transition required to directly connect CVDUCT2 to sides or rear of downdraft housing. Can be used as an extension to exhaust through a cabinet or wall, and can be cut to modify length. For use with installation of inline or remote blower applications with CVTSIDE6, CVTSIDE8, and CVTSIDE10.



CVTRECT2
Transition required to connect CVDUCT2 rectangular duct to downdraft housing at left, right, or rear

UCVM30RS

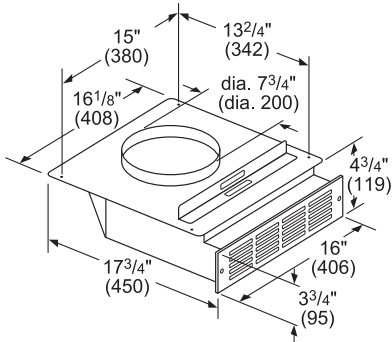
30-INCH DOWNDRAFT VENTILATION

MASTERPIECE® SERIES



REMOTE OR INLINE BLOWER INSTALLATION CONTINUED

OPTIONAL ACCESSORIES

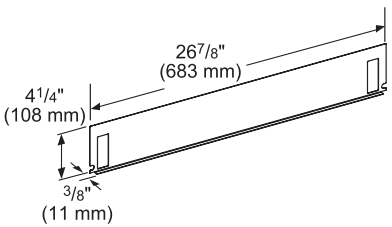


Measurements in inches and (mm)



RECIRCULATION KIT UCVRECIRC

Includes 1 charcoal filter and 1 metal grill vent plate (blower sold separately). Use with induction/electric cooktops only



measurements in inches (mm)



DOWNDRAFT GAS COOKTOP SEAL TRIM KIT UCV30ST

Includes trim, seal, metal grill, and fasteners. Required for installations with 30" gas cooktops.



REPLACEMENT CHARCOAL FILTER UCVFILTER

Includes 1 replacement charcoal filter for UCVRECIRC recirculation kit



EXTNCE5

Extends electrical panel cable 5-ft. to connect remotely located electrical panel to downdraft. Ability to connect two cables together to make a 10-foot cable.

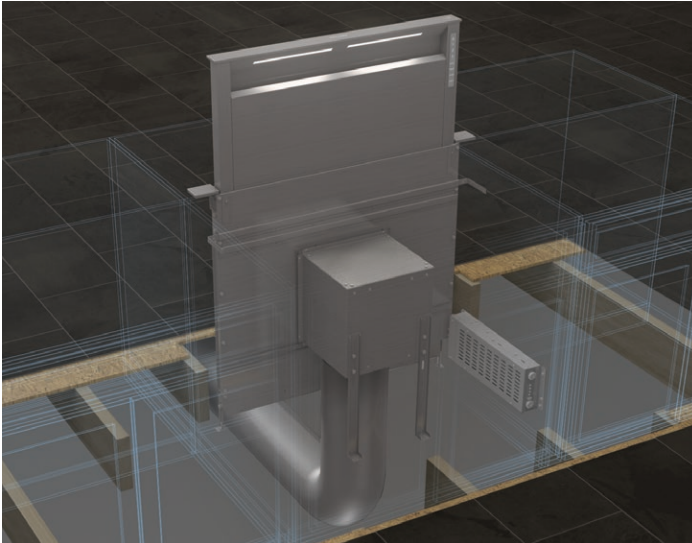
UCVM30RS

30-INCH DOWNDRAFT VENTILATION

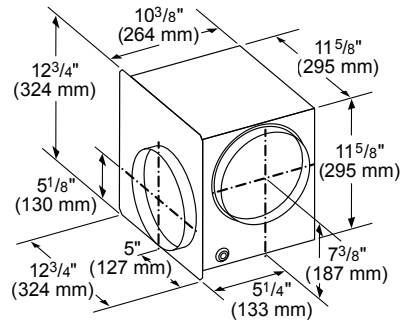
MASTERPIECE® SERIES



FLEXIBLE BLOWER INSTALLATION – FRONT EXHAUST EXAMPLE



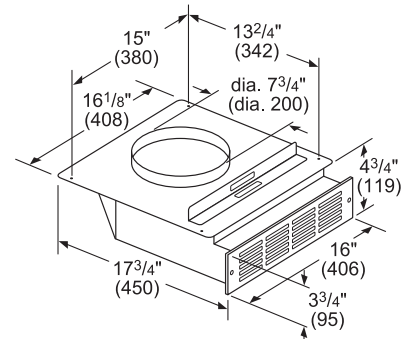
REQUIRED BLOWER



VTD600P – 600 CFM
600 CFM flexible blower can be installed as an integrated or inline blower

measurements in inches (mm)

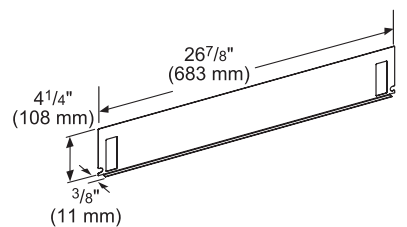
OPTIONAL ACCESSORIES



RECIRCULATION KIT UCVRECIRC

Includes 1 charcoal filter and 1 metal grill vent plate (blower sold separately). Use with induction/electric cooktops only

Measurements in inches and (mm)



DOWNDRAFT GAS COOKTOP SEAL TRIM KIT UCV30ST

Includes trim, seal, metal grill, and fasteners. Required for installations with 30" gas cooktops.

measurements in inches (mm)

APPLICATION

- Front downward application with space under floor line for ductwork*
- Integral blower with front downward application can be used with optional recirculation kit*
- Integral blower can rotate for left or right exhaust
- Elbow and ductwork are not included



REPLACEMENT CHARCOAL FILTER UCVFILTER

Includes 1 replacement charcoal filter for UCVRECIRC recirculation kit



EXTNCE5

Extends electrical panel cable 5-ft. to connect remotely located electrical panel to downdraft. Ability to connect two cables together to make a 10-foot cable.

*For only front downward ducting applications, electrical panel must be remotely mounted. Optional 5' extension cable EXTNCE5 accessory is available to connect remotely placed electrical panel to downdraft. Refer to installation manual.

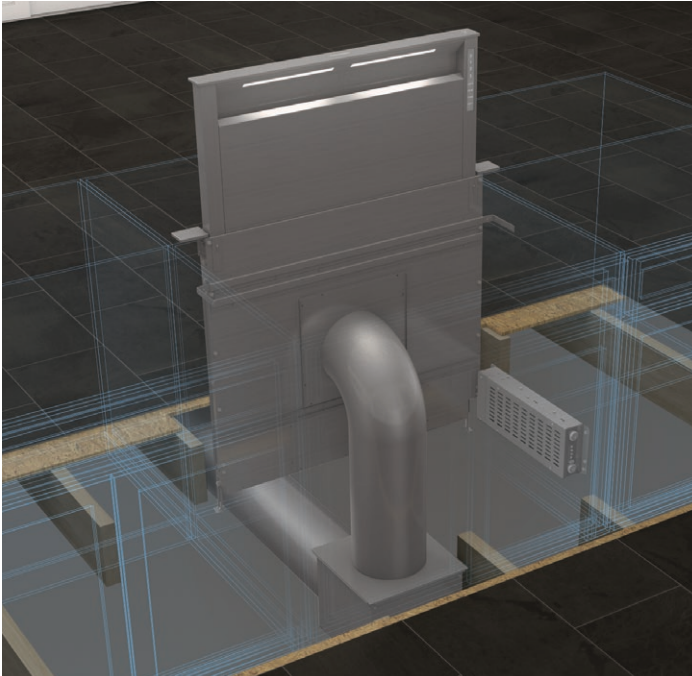
UCVM30RS

30-INCH DOWNDRAFT VENTILATION

MASTERPIECE® SERIES

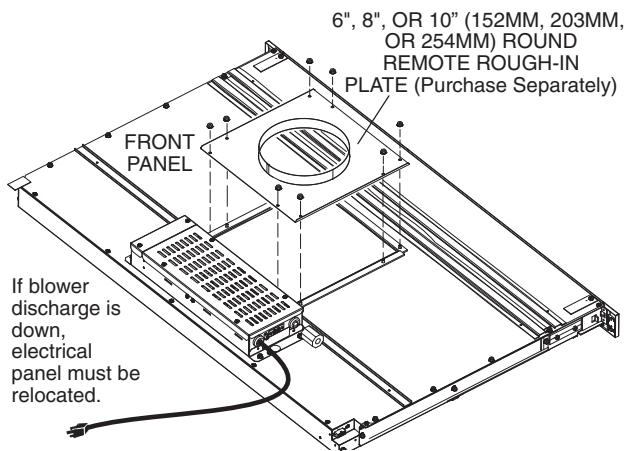


FLEXIBLE BLOWER INSTALLATION – FRONT EXHAUST WITH FLEXIBLE BLOWER BELOW FLOOR LINE EXAMPLE

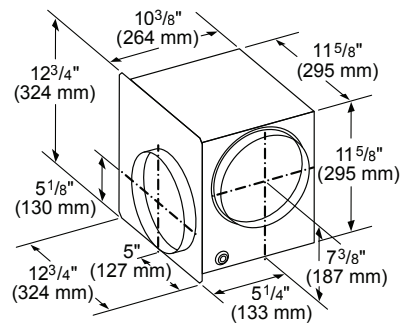


APPLICATION

- Front downward application with space under floor line for ductwork*
- Elbow and ductwork are not included



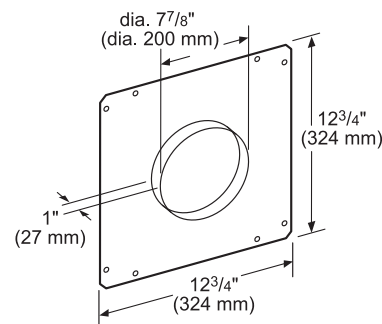
REQUIRED BLOWER



measurements in inches (mm)

VTD600P – 600 CFM
 600 CFM flexible blower can be installed as an integrated or inline blower

REQUIRED ACCESSORIES

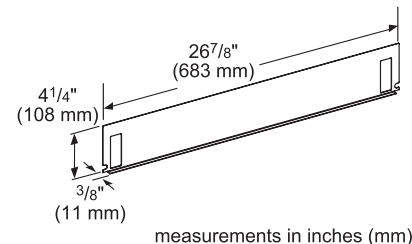


measurements in inches (mm)



CVTFRONT8
 8" round front plate allows for front downward venting. Use with VTD600P blower as an inline installation, and ducting with 8" round duct connections.

OPTIONAL ACCESSORIES



measurements in inches (mm)



DOWNDRAFT GAS COOKTOP SEAL TRIM KIT UCV30ST
 Includes trim, seal, metal grill, and fasteners. Required for installations with 30" gas cooktops.



EXTNCES

Extends electrical panel cable 5-ft. to connect remotely located electrical panel to downdraft. Ability to connect two cables together to make a 10-foot cable.

*For front downward ducting applications, electrical panel must be remotely mounted. Optional 5' extension cable EXTNCES5 accessory is available to connect remotely placed electrical panel to downdraft. Refer to installation manual.

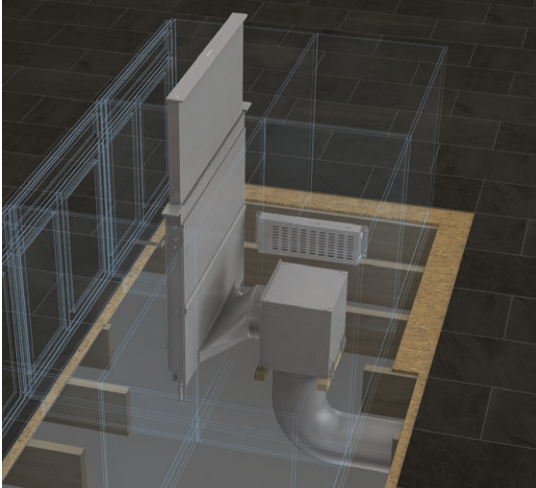
UCVM30RS

30-INCH DOWNDRAFT VENTILATION

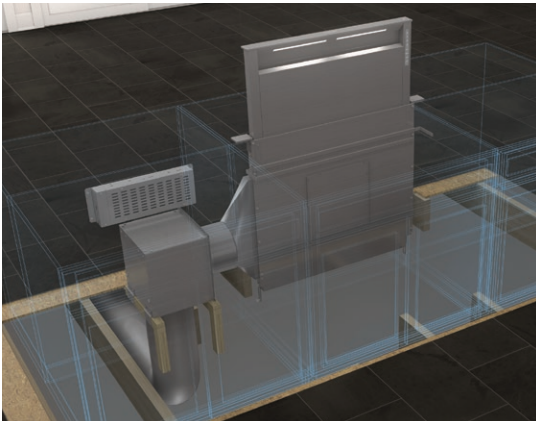
MASTERPIECE® SERIES



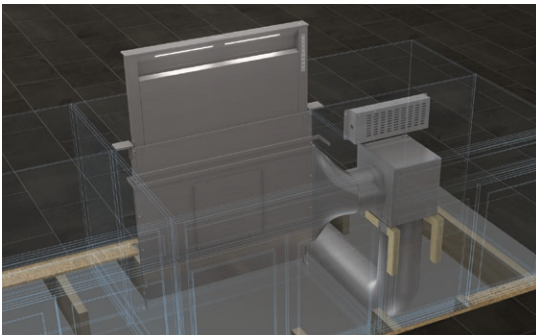
FLEXIBLE BLOWER INSTALLATION – REAR, LEFT OR RIGHT SIDE EXHAUST EXAMPLE



Rear Exhaust



Left Side Exhaust

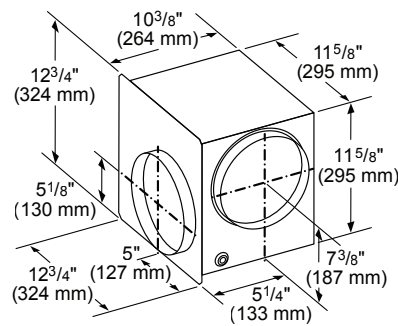


Right Side Exhaust

APPLICATION

- Rear, left or right side exhaust options to preserve precious kitchen storage space or if ducting is more convenient for these configurations*
- Requires at least 18" of clearance to fit the blower and transition
- Blower must be accessible for maintenance
- Elbow and ductwork are not included

REQUIRED BLOWER

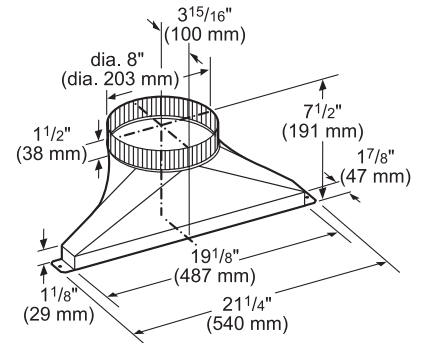


measurements in inches (mm)

VTD600P – 600 CFM

600 CFM flexible blower can be installed as an integrated or inline blower

REQUIRED ACCESSORY



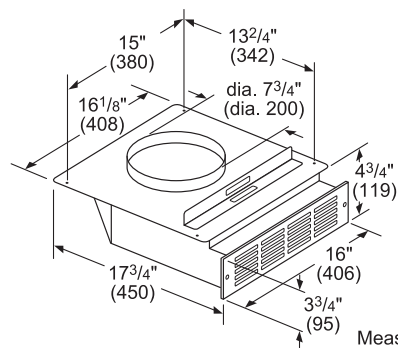
measurements in inches (mm)

CVTSIDE8

8" round transition allows for left, right, or rear venting. Use with VTD600P blower as an inline installation, and ducting with 8" round duct connections.



OPTIONAL ACCESSORIES



Measurements in inches and (mm)



RECIRCULATION KIT UCVRECIRC

Includes 1 charcoal filter and 1 metal grill vent plate (blower sold separately). Use with induction/electric cooktops only



REPLACEMENT CHARCOAL FILTER UCVFILTER

Includes 1 replacement charcoal filter for UCVRECIRC recirculation kit



DOWNDRAFT GAS COOKTOP SEAL TRIM KIT UCV30ST

Includes trim, seal, metal grill, and fasteners. Required for installations with 30" gas cooktops.



EXTNCE5

Extends electrical panel cable 5-ft. to connect remotely located electrical panel to downdraft. Ability to connect two cables together to make a 10-foot cable.

*For only front downward ducting applications, electrical panel must be remotely mounted. Electrical panel can still be remotely mounted in other exhaust configurations if desired. Optional 5' extension cable EXTNCE5 accessory is available to connect remotely placed electrical panel to downdraft. Refer to installation manual.

NOTE: Some applications may require deeper cabinets. Side and rear exhaust require at least 18" of clearance to fit the blower and/or ductwork. Refer to installation manual.

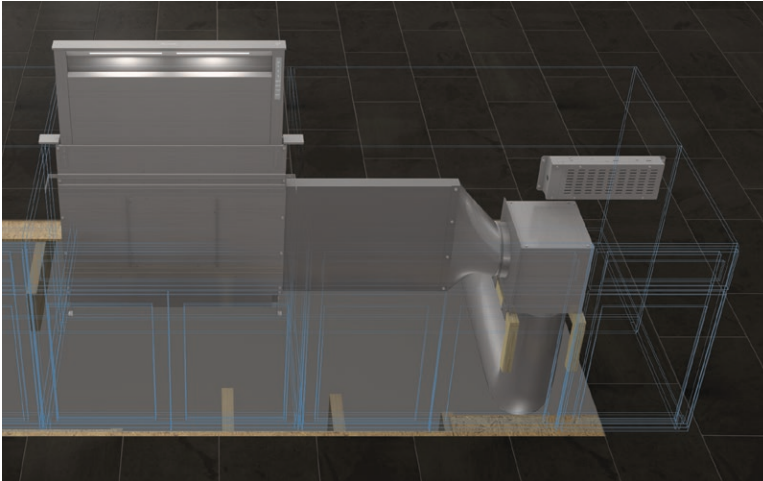
UCVM30RS

30-INCH DOWNDRAFT VENTILATION

MASTERPIECE® SERIES



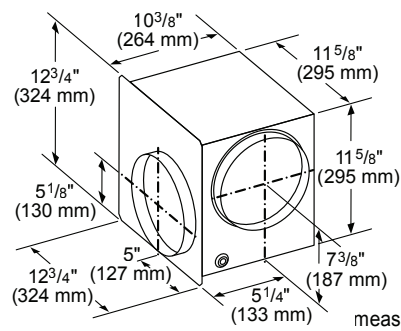
FLEXIBLE BLOWER INSTALLATION – SIDE EXHAUST WITH SLIM 2' RECTANGULAR DUCT EXAMPLE



APPLICATION

- Side exhaust option to preserve precious kitchen storage space or if ducting is more convenient for this configuration*
- A slim 2' rectangular duct is available to place flexible blower in areas such as unused corner in island or peninsula applications
- Blower must be accessible for maintenance
- Elbow and ductwork are not included

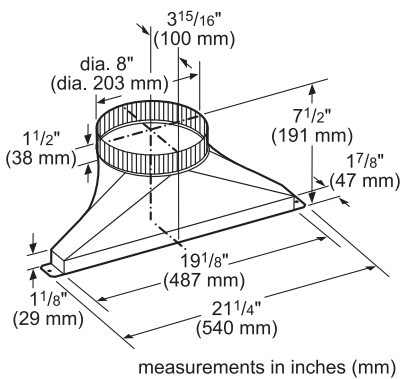
REQUIRED BLOWER



VTD600P – 600 CFM

600 CFM flexible blower can be installed as an integrated or inline blower

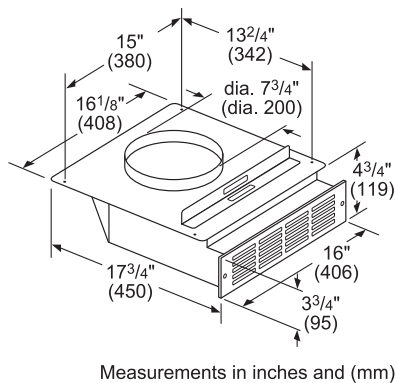
REQUIRED ACCESSORIES



CVTSIDE8

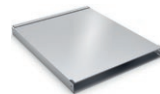
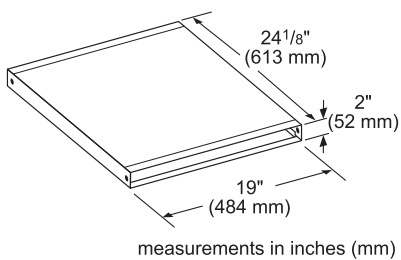
8" round transition to connect CVDUCT2 to VTD600P. Use with VTD600P blower as an inline installation, and ducting with 8" round duct connections.

OPTIONAL ACCESSORIES



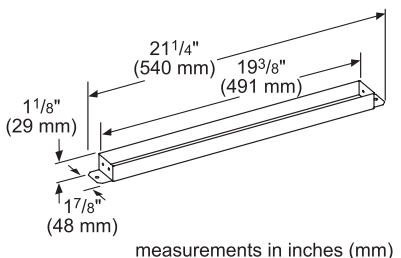
RECIRCULATION KIT UCVCIRC

Includes 1 charcoal filter and 1 metal grill vent plate (blower sold separately). Use with induction/electric cooktops only



CVDUCT2

Rectangular 2 ft. long x 1 7/8 in deep x 19 in wide duct. CVDUCT2 transition required to directly connect CVDUCT2 to sides or rear of downdraft housing. Can be used as an extension to exhaust through a cabinet or wall, and can be cut to modify length. For use with installation of inline or remote blower applications with CVTSIDE6, CVTSIDE8, and CVTSIDE10.



CVTRECT2

Transition required to connect CVDUCT2 rectangular duct to downdraft housing at left, right, or rear



REPLACEMENT CHARCOAL FILTER UCVCFILTER

Includes 1 replacement charcoal filter for UCVCIRC recirculation kit



DOWNDRAFT GAS COOKTOP SEAL TRIM KIT UCV30ST

Includes trim, seal, metal grill, and fasteners. Required for installations with 30" gas cooktops.



EXTNCES

Extends electrical panel cable 5-ft. to connect remotely located electrical panel to downdraft. Ability to connect two cables together to make a 10-foot cable.

*For only front downward ducting applications, electrical panel must be remotely mounted. Electrical panel can still be remotely mounted in other exhaust configurations if desired. Optional 5' extension cable EXTNCES accessory is available to connect remotely placed electrical panel to downdraft. Refer to installation manual.

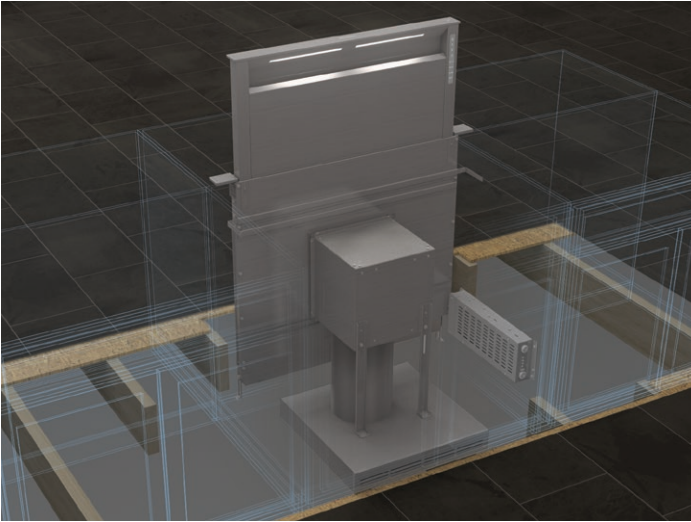
UCVM30RS

30-INCH DOWNDRAFT VENTILATION

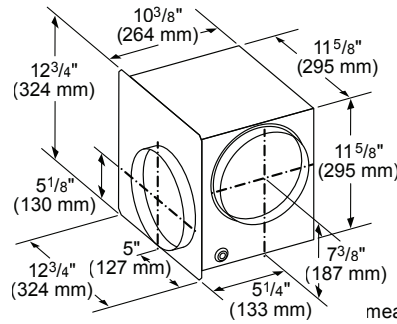
MASTERPIECE® SERIES



FLEXIBLE BLOWER INSTALLATION – RECIRCULATION EXAMPLE

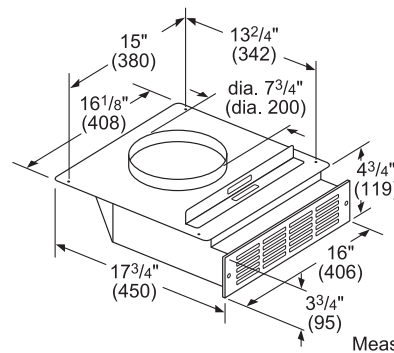


REQUIRED BLOWER



VTD600P – 600 CFM
600 CFM flexible blower can be installed as an integrated or inline blower

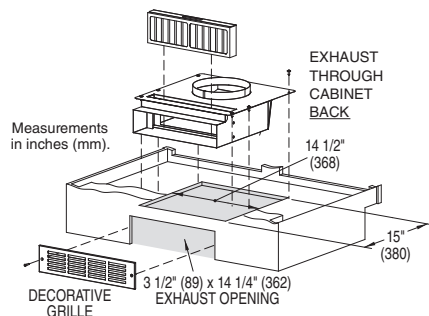
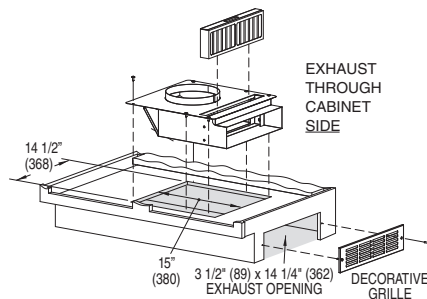
REQUIRED ACCESSORIES



RECIRCULATION KIT UCVRECIRC
Includes 1 charcoal filter and 1 metal grill vent plate (blower sold separately). Use with induction/electric cooktops only

APPLICATION

- Allows for non-ducted downdraft installation by eliminating the need to exhaust to the exterior of the home*
- Recirculation module and metal grill vent plate placement can be rotated for flexible exhaust placement
- Elbow and ductwork are not included
- Use with induction/electric cooktops only



OPTIONAL ACCESSORIES



REPLACEMENT CHARCOAL FILTER UCVFILTER

Includes 1 replacement charcoal filter for UCVRECIRC recirculation kit



DOWNDRAFT GAS COOKTOP SEAL TRIM KIT UCV30ST

Includes trim, seal, metal grill, and fasteners. Required for installations with 30" gas cooktops.



EXTNCE5

Extends electrical panel cable 5-ft. to connect remotely located electrical panel to downdraft. Ability to connect two cables together to make a 10-foot cable.

*For front downward ducting applications, electrical panel must be remotely mounted. Optional 5' extension cable EXTNCE5 accessory is available to connect remotely placed electrical panel to downdraft. Refer to installation manual.

These warranties give you specific legal rights and you may have other rights that vary from state to state. Full warranty and limited warranty from date of installation. For complete warranty details, refer to your Use & Care manual, or ask your dealer.

Specifications are for planning purposes only. Refer to installation instructions and consult your countertop supplier prior to making counter opening. Consult with a heating and ventilation engineer for your specific ventilation requirements. For the most detailed information, refer to installation instructions accompanying product or write to Thermador indicating the model number. Specifications are correct at time of printing. Thermador reserves the right to change product specifications or design without notice. Some models are certified for use in Canada. Thermador is not responsible for products that are transported from the U.S. for use in Canada.