

DOWNDRAFT UCVM SERIES INSTALLATION MANUAL

Thermador | *An American Icon*

en page 3–16

es página 31–44

fr page 17–30

SAFETY INSTRUCTIONS

READ ALL INSTRUCTIONS BEFORE USING THE APPLIANCE.

READ AND SAVE THESE INSTRUCTIONS

WARNING

To reduced the risk of fire, electric shock, or injury to persons, observe the following:

- A. Installation work and electrical wiring must be done by authorized person(s) in accordance with all applicable codes and standards, including fire-related construction.
- B. Sufficient air is needed for proper combustion and exhausting of gases through the flue (chimney) of fuel burning equipment to prevent backdrafting. Follow the heating equipment manufacturer's guideline and safety standards such as those published by the National Fire Protection Association (NFPA), and the American Society for Heating, Refrigeration and Air Conditioning Engineers (ASHRAE), and the local code authorities.
- C. When cutting or drilling into wall or ceiling, do not damage electrical wiring and other hidden utilities.
- D. Ducted fans must always be vented to the outdoors.
- E. Always unplug or disconnect the appliance from the power supply before servicing.
- F. This unit is designed for indoor use only. Use this unit only in the manner intended by the manufacturer.
- G. Make certain the cooktop is appropriate for use with a downdraft vent.
- H. Not intended for use with professional-style cooktops.

WARNING

For general ventilating use only. Do not use to exhaust hazardous or explosive materials and vapors.

To reduce risk of fire and to properly exhaust air, be sure to duct air outside. Do not vent exhaust air into spaces within walls, ceilings, attics, crawl spaces or garages.

To reduced the risk of fire, use only metal duct work.

To reduce the risk of fire, electric shock and injury to persons, Downdraft must be used with Internal, Remote or Inline Blower.

To reduce the risk of fire or electric shock, do not use the fan with any solid-state speed control device.

This appliance has been found to be in compliance with UL 507 Standard for Electric Fans and CAN/CSA-22.2 No. 113 Canadian Standard for Fans and Ventilators. It is the responsibility of the owner and the installer to determine if additional requirements or standard apply in specific installation.

Parts Needed (standard)

- Tape Measure
- Phillips Head Screwdriver
- Aluminum Duct Tape
- Ductwork (configuration varies depending on location; See pages 7-12 for further information)
- Additional Sheetmetal screws (as necessary for ductwork installation)
- Saw (or equivalent for cutting counter-top)
- #8 x 1 1/4" Wood Screws (4)
- Plumb Bob
- Wire to reach Remote or Inline Blower

Parts Needed (special)

- Special Blower
- Transition Box (for use only with Inline and Remote Blowers)
- Recirculation Module (used only for recirculation applications)

Note: Downdrafts work with these blowers: 600 CFM Integrated, Remote or Inline Blowers 1000 CFM Remote or Inline Blowers

Parts Supplied

- Downdraft assembly (1)
- #8 Sheetmetal Screws (8)
- Blower Cord Strain Relief (1)
- Hardware for brackets on vent (2)
- Remote Blower Pigtail

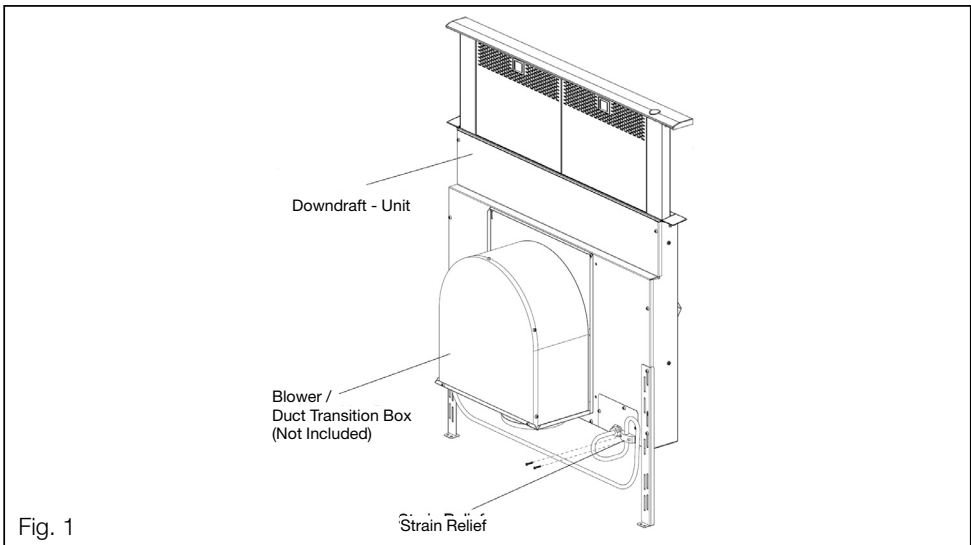


Fig. 1

INTRODUCTION

GENERAL DESCRIPTION

The complete downdraft system consists of the downdraft, a blower and a transition box if using an Inline or Remote Blower. A recirculation module is also available when ducting to the outside is not preferred or not possible. (See Fig. 1).

The blower can be either integral (mounted on the vent intake in the cabinet under the cooktop), an inline (mounted between the kitchen and exterior wall anywhere within the duct line), or a remote (mounted on the roof or outside wall). When a remote or inline blower is used, a duct transition is mounted on the ventilator intake in place of the integral blower to connect the intake to the duct work. The duct transition must be purchased separately.

The integral blower or duct transition can be mounted in different positions on the intake to route ductwork to avoid cabinet, building framing, utilities, etc.

The downdraft system is available in 30-inch or 36-inch. Intended for non-professional style cooktops only.

A Recirculation Kit can be purchased separately and used in conjunction with the Integral Blower if ducting to the outside is not a viable option.

Step 1: Plan the installation

Carefully follow the planning procedures listed below (See Figure 2). Sketches are NOT intended to be a replacement for careful planning.

- A. Determine whether a remote, inline, or integral blower will be used. **Remote and inline blower installation requires 4 wires plus a ground wire to run from the downdraft to the blower.**
- B. Make sure that adequate cabinet and counter space has been provided and that the intake and blower will be accessible if service is required.
- C. Consider that cross drafts created by adjacent open windows, doors, air conditioning, old heating vents, recessed ceiling lights, and traffic patterns may affect performance.
- D. For gas cooktop installations make sure that a minimum 10 square inch opening is provided in the toe-kick or other cabinet area. Inadequate ventilation of the cabinet below the cooktop may result in flame outage when operating the vent system.
- E. **Provide for air supply or "make-up air" to the room where unit will be installed. If "make-up air" is not provided, then problems, such as fireplace chimney downdrafts, could result.**

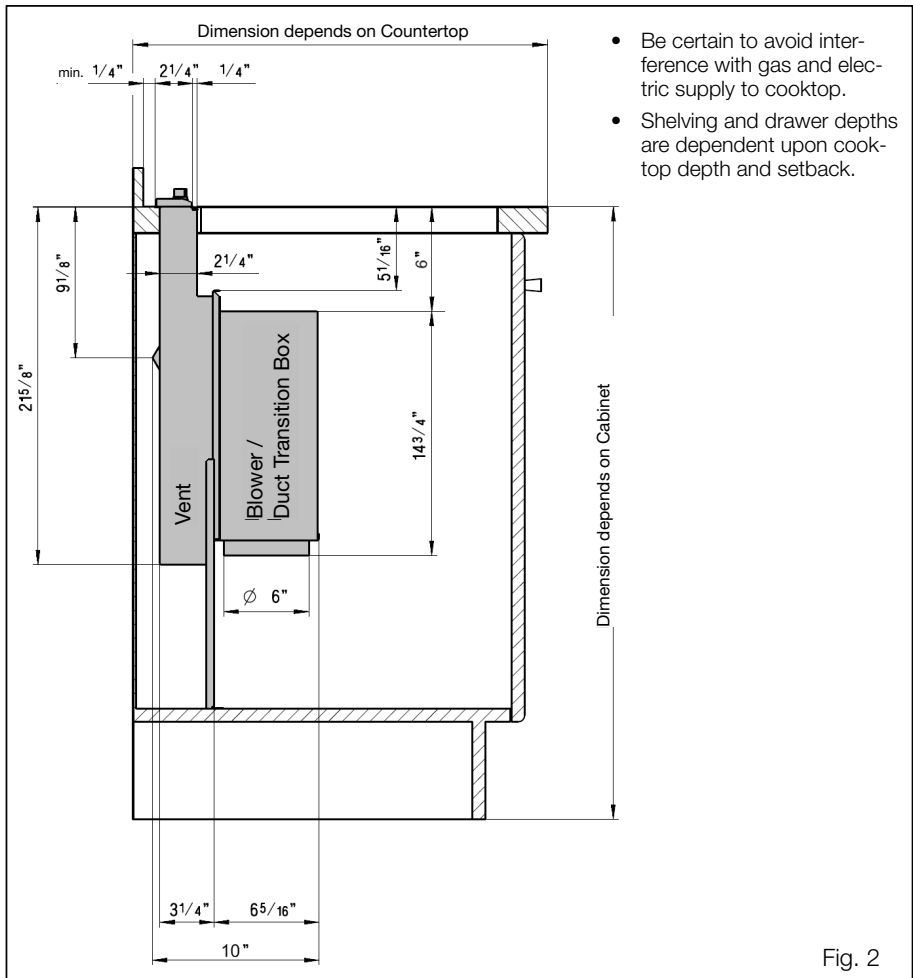
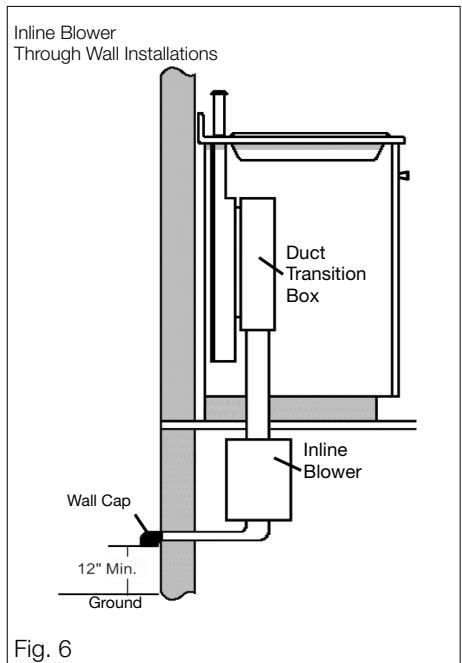
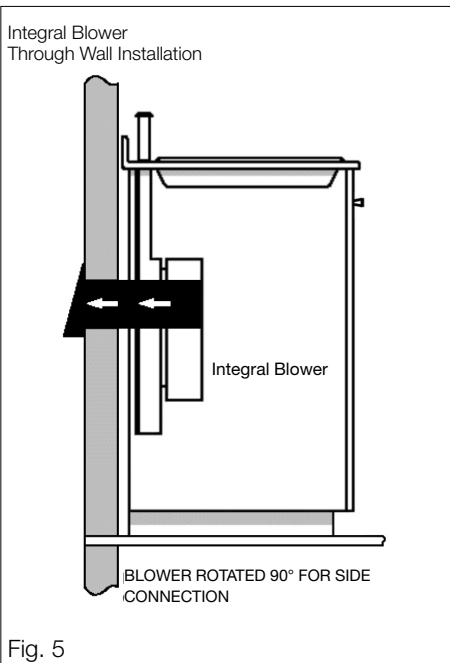
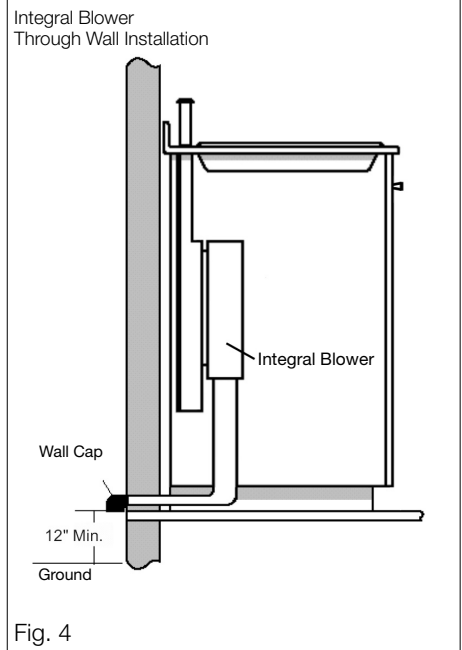
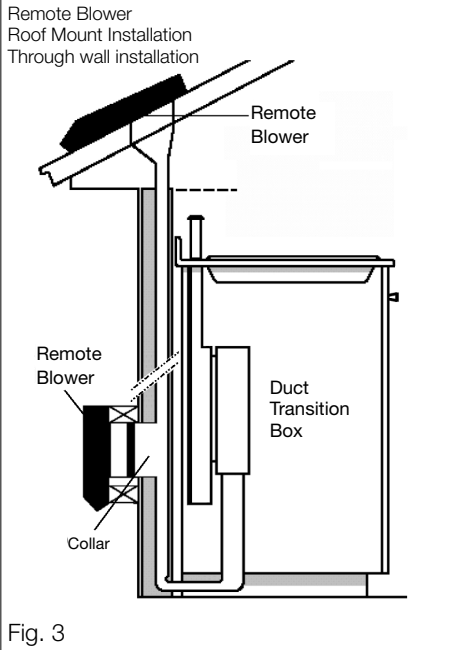


Fig. 2

F. Investigate potential ductwork routes and choose the shortest possible route from the unit to an outside wall or to the roof via an inside wall and attic. For guidance, typical ducting installations are shown in figures 3 through 6. Installation in island locations will require under floor ducting. Peninsula locations usually require ducting laterally through cabinets or under cabinet toe spaces. Consider potential interferences to ductwork from building framing (floor joists, wall studs, etc.) and utilities (electrical wiring, water, gas, or sewer lines, etc).

G. Purchase the necessary ductwork as needed to duct to the outside or purchase separately the downdraft Recirculation Module if ducting to the outside is not a viable option.

Figures 3 through 6 are examples of possible ducting



DUCTWORK INSTALLATION GUIDELINES

- Ducting should vent directly outdoors (not into an attic, underneath the house, into the garage or into any enclosed space). A Recirculation Module is available when ducting to the outside is not possible.
- Keep duct runs as short and straight as possible.
- Duct fittings (elbows and transitions) reduce air flow efficiency.
- Back to back elbows and "S" turns give very poor delivery and are not recommended.
- A short straight length of duct at the inlet of the remote blower gives the best delivery.
- Transition to duct from the integral blower or remote duct transition as close to the downdraft as is possible. In order of preference, use
 - 1st. 10" round duct
 - 2nd. 8" round duct
 - 3rd. 3-1/4" x 14" duct
 - 4th. 7" round duct
 - 5th. 3-1/4" x 10" duct
 - 6th. 6" round duct
- The use of flexible metal round duct should only be used when no other duct fitting exists. Limit use to short lengths and do not crush when making corners.
- Back to back elbows should be avoided.
- Where local codes permit, plastic pipe (PVC-schedule 40 pipe or ABS pipe 7" or 8" diameter) can be used in areas of high ground moisture and in slab floors to eliminate future rusting.
- Use only duct work constructed of materials that are acceptable by the applicable codes. All duct should be 26 gauge or heavier to minimize flex due to air flow.
- The remote blowers require a 10" or 6" diameter round duct (depending on model) to match the inlet ring. A transition is necessary from other duct sizes.
- Use sheet metal screws as required to support the duct weight, and seal all joints with duct tape.
- Be certain that the duct work does not interfere with floor joists or wall studs.
- Do not exhaust more than one vent into a single duct run.
- Cold weather installations should have an additional backdraft damper installed to minimize backward cold air flow and a nonmetallic thermal break to minimize conduction of outside temperatures as part of the ductwork. The damper should be on the cold air side of the thermal break. The break should be as close as possible to where the ducting enters the heated portion of the house.
- Always use an appropriate roof or wall-cap with damper. Laundry type wall caps should never be used.

Step 2: Prepare Countertop Cutout

Refer to the cooktop installation instructions for dimensions of cooktop, countertop cutout, and cabinet requirements prior to making any cutouts. Cooktop depth and countertop back-splash depth can vary greatly from one to another. These variations may cause the fit of the downdraft and cooktop to be tight. A countertop (front edge) with a raised lip and/or a wide backsplash (back edge) may not allow enough flat countertop for a proper installation.

- Check that the cooktop is far enough forward that the downdraft will fit behind it. Verify all dimensions prior to cutting the countertops.

Use the physical products to confirm cutouts whenever possible.

For all installations verify that all cutouts will clear the inside of the front countertop support rail, and that the cooktop and vent will be centered left to right within the cutout.

Also, make certain that the front and rear cutouts are straight and parallel to the front edge of countertop and the rear backsplash and/or wall. Assure that the side cutouts are square to the front and rear cutouts.

All illustrations and dimensions are based on standard 24" deep by 36" high American style base cabinets with 25" countertops.

When installing laminated or solid surface countertops such as Surell™ and Corian®, be sure to follow the countertop manufacturer's instructions regarding minimum corner radii, reinforcement of corners, etc.

Note: Check boxes as tasks are completed.

For overhead cabinet and cooktop side clearances consult cooktop Installation Instructions.

INSTALLATION WITH COOKTOPS

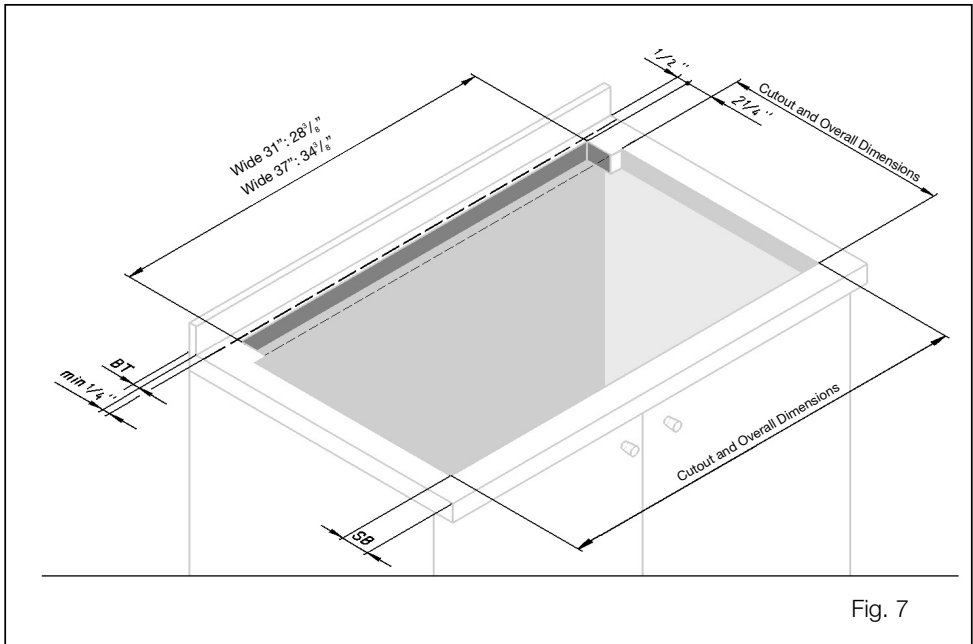


Fig. 7

Notes

Dimension "SB" is the minimum distance from the leading edge of the counter to the leading edge of the cutout.

Dimension "BT" is the thickness of backsplash that provides 1/4" clearance between vent and backsplash. Any backsplash with a curved radius where it meets the counter will require additional clearance. Thicker backsplashes may be used by increasing the counter and cabinet depths.

Set the cooktop into the countertop opening so that the back edge of the cooktop overlaps the leading edge of the downdraft.

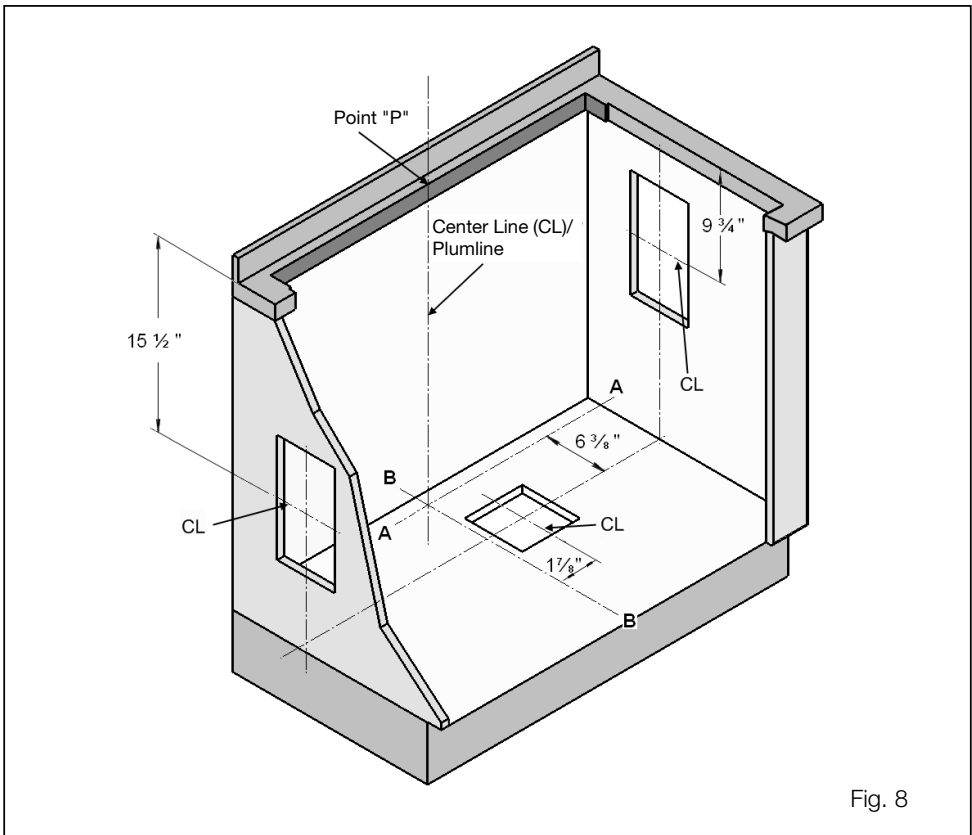


Fig. 8

Step 3: Prepare Duct Cutouts in Cabinet

- A. Refer to Figure 8. Drop a plumb-line from Point "P" at the rear center of the countertop cutout. Mark this point on the bottom of the cabinet below. Construct two reference lines through this point: one should be parallel to the cabinet front and directly below the rear countertop cutout (Line A-A), and the other (Line B-B) should be at right angles to A-A.
 - B. Using these reference lines as a base for the measurements, layout the necessary cabinet cutouts needed to implement the planned ductwork route. Where a range of measurements is noted, choose a measurement that allows best clearance from wall studs, floor joists, utilities, or other obstructions.
 - C. Before cutting for ducting, temporarily set intake and cooktop in place and attach integral blower (or duct transition fitting if a remote or inline blower is installed). Refer to steps 6 and 7. Verify that the duct cutouts as marked will match the hardware installation. Adjust the duct cutout as necessary to match hardware installation.
 - D. Remove temporarily placed hardware and make cutouts in cabinet to accommodate ductwork installation.
 - E. Make all other cabinet modifications needed to provide proper clearances for drawers or removable shelving.
- Note: Check boxes as tasks are completed.

Step 4: Install Ductwork (Remote or Inline Blower, If Used)

- A. Install the ductwork and remote blower (if used) in accordance with the ductwork routing plan developed in Step 1.
- B. Make sure that the installation complies with all installations guidelines. Type and length of ducting and lack of make-up air may reduce CFM. Also check that the opening where duct passes through outside wall or roof has been properly flashed and sealed to prevent leakage.
- C. If using Integral Blower, proceed to Step 5.
- D. If using Remote or Inline Blower, refer to Installation Instructions with that model.

Step 5: Install Electrical Service

- Check your local building codes for proper method of installation. In the U.S., if there are no applicable local codes, this unit should be installed in accordance with the National Electric Code ANSI/NFPA No. 70, Current Issue. (In Canada, installation must be in accordance with the CAN 1-B149.1 and .2-Installation Codes for Gas Burning Appliances and/or local codes).
- The appliance must be grounded. In the event of an electrical short circuit, grounding reduces the risk of electric shock by providing an escape wire for the electric current. This appliance is equipped with a cord having a grounding wire with a grounding plug. The plug must be plugged into an outlet that is properly installed and grounded.



WARNING – Improper grounding can result in a risk of electric shock.

Only a qualified electrician, or similarly qualified persons, should make the electrical connections.

Do not use an extension cord. If the power supply cord is too short, have a qualified electrician install an outlet near the appliance.

The receptacle should be located under the countertop so that the 30 inch long power cord from the vent will reach it. See Figure 8.

- The cord should be routed beneath the appliance and away from heat generated by the cooktop. Access should not be obstructed by blower, cabinet work, ductwork or electrical/gas utilities for the cooktop. All power for the vent system (including the remote blower, if used) is supplied via the cord to the intake unit. The outlet can usually be extended from another kitchen outlet or have its own circuit from the main service panel.
- Do not plug vent cord into receptacle until Step 8.

Step 6: Mount Vent and Cooktop

- A. Remove grease filters and any packing materials from inside the intake.
- B. Set the vent intake into rear of countertop opening. Carefully lower it into position so that the flanges on the rear sides and edges fully support the unit hanging from the countertop.
- C. Hold the unit against the rear of the countertop opening, and slide the leg brackets down to meet the bottom of cabinet. Check and adjust for plumb, then fasten leg brackets to cabinet with hardware provided.

Note: Check boxes as tasks are completed.

Step 7: Mount Integral Blower or Outlet Duct Transition for Remote or Inline Blower

Integral Blower (see Figures 9 and 11 for further detail):

- A. Attach blower in front of round exhaust outlet with 4-6 (depending on configuration) #8 sheetmetal screws.
 - B. Feed cord **from blower** through strain relief.
 - C. Secure strain relief with screws.
 - D. Attach strain relief to downdraft near junction box.
 - E. Connect cord to downdraft at 6 pin connector.
 - F. Connect blower to ductwork.
 - G. Place the cooktop in countertop opening with the rear edge of cooktop overlapping the front edge of the vent. Make sure rear edge of cooktop does not bind against front of snorkel. Follow the manufacturer's installation Instructions for installing gasket strips, protective heat tape (if required), securing the cooktop to the countertop and making the cooktop electrical and/or gas connections.
- Note: Check boxes as tasks are completed.

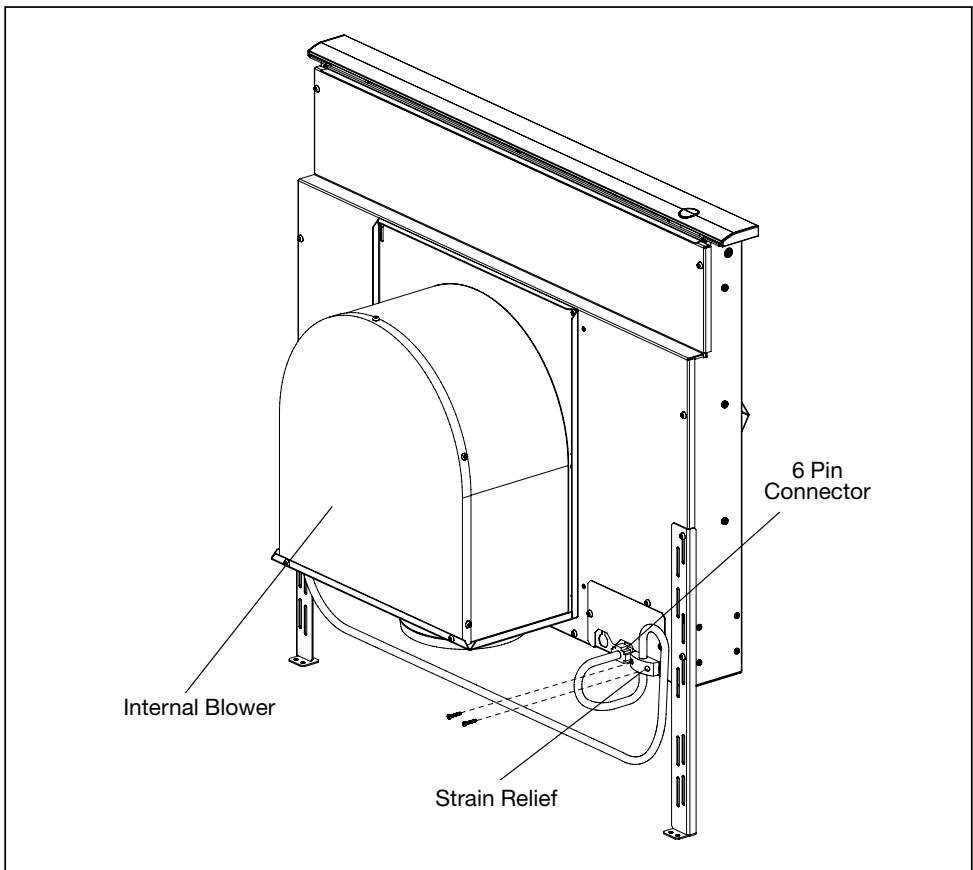


Fig. 9 – Internal Blower

Remote or Inline Blower (see Figures 10 and 11 for further detail):

- A. Remove junction box cover and connect conduit with 5 wires from remote blower. Hook up wires per Wiring.Fig. 10. Replace junction box cover.
- B. Attach Duct Transition Box at mounting holes with sheetmetal screws.
- C. Feed remote blower pigtail through strain relief.
- D. Attach strain relief to downdraft near junction box.
- E. Connect pigtail to downdraft at 6 pin connector.
- F. Run pigtail wires to junction box.
- G. Inside junction box, connect conduit with five wires from remote or inline blower. Use a conduit connector to secure.

Note: Blower and duct transition box may be installed with duct outlet left, down or right. Install blower or duct transition in such a way that access panels can be removed for service.

- H. Place the cooktop in countertop opening with the rear edge of cooktop overlapping the front edge of the vent. Make sure rear edge of cooktop does not bind against front of snorkel. Follow the manufacturer's installation Instructions for installing gasket strips, protective heat tape (if required), securing the cooktop to the countertop and making the cooktop electrical and/or gas connections.

Note: Check boxes as tasks are completed.

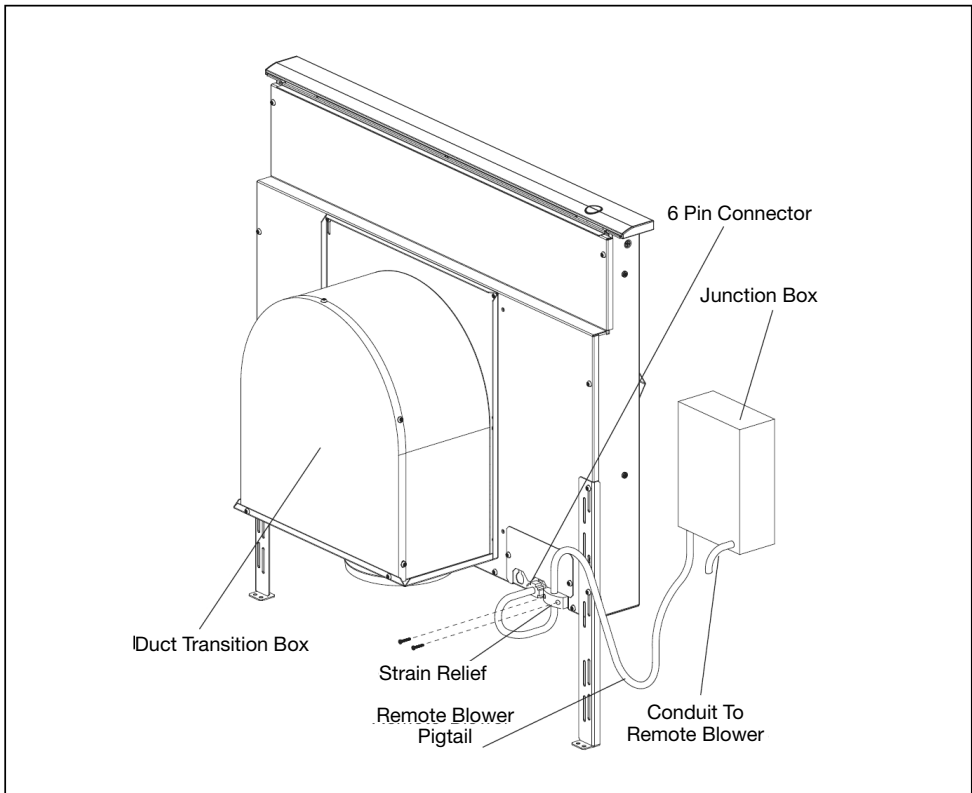


Fig. 10 – Remote Blower

Wiring Diagram

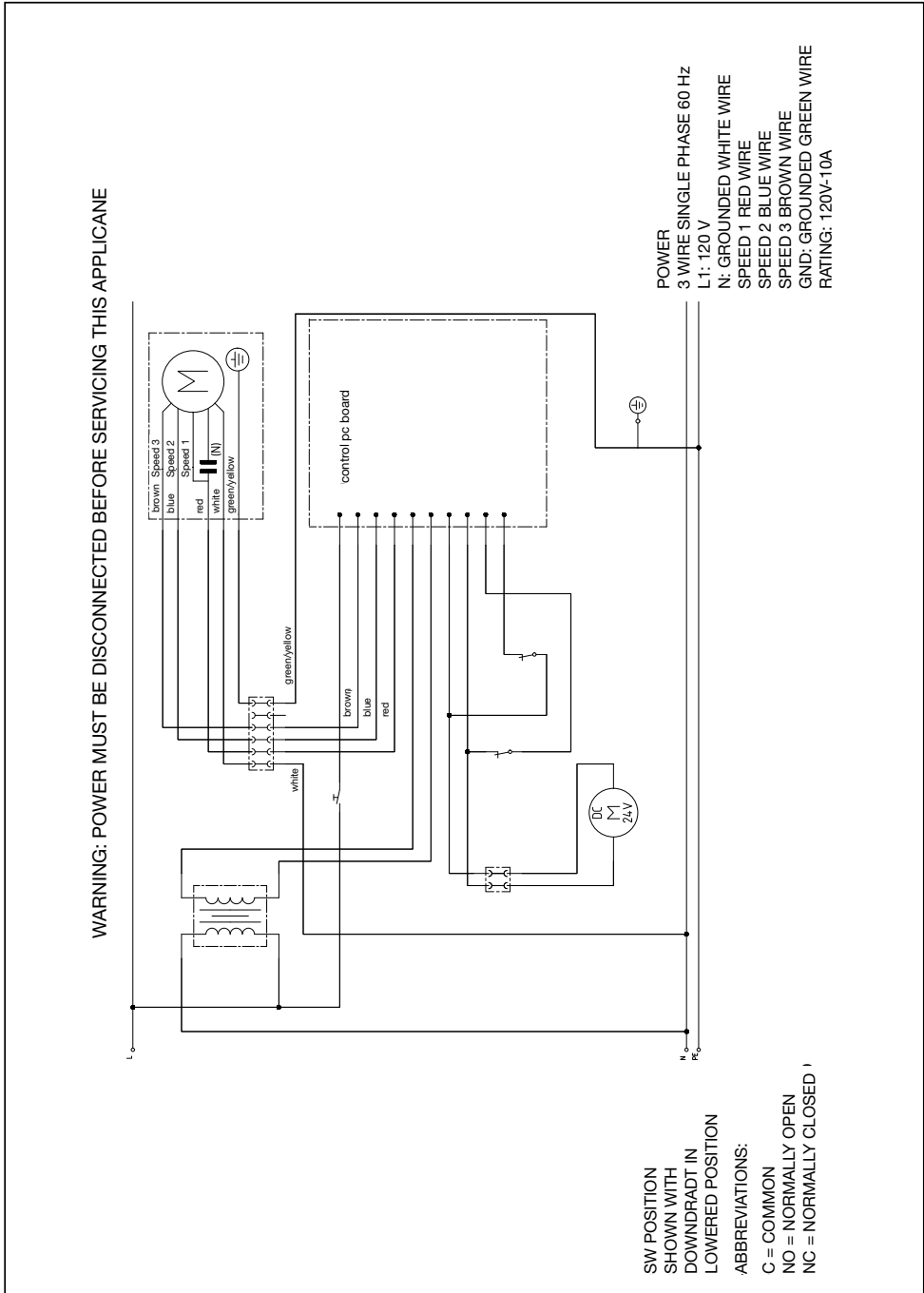


Fig. 11

Step 8: Verify Installation, Operation and Cooktop Alignment

- Before performing this procedure, verify that all packing materials were removed from inside the snorkel and that the grease filters and front panel have been properly installed. Refer to the Care and Use Manual for instructions regarding filter and front panel installation.
- Plug the vent power cord into a proper electrical receptacle and ensure that the circuit is energized.
- A. Raise the snorkel to its fully extended position by pressing the UP/DOWN push-button once. Do not hold the push-button. The elevating motor will stop when the snorkel reaches its full height. (Note: the blower will not operate unless the snorkel is fully raised).
- B. Remove protective tape from top cap.
- C. Turn the blower ON by selecting in turn each of the 3 speeds. Let the blower run several minutes at each speed to evaluate its operation.
- D. With the blower running, lower the snorkel to its fully retracted position by pressing the UP/DOWN push-button once. The blower will immediately turn off.
- E. With the blower on HIGH, close the windows and doors to the area to ensure that fan does not cause back drafting in any outlet vent for another appliance.
- F. Raise and lower the vent again, and check to make sure that the top cap on the snorkel does not catch on the back edge of the cooktop when it is lowered. If interference occurs, adjust the position of the cooktop by moving it against the front edge of the countertop. Failure to eliminate interference may result in permanent damage to the vent. Also, ensure that the vent support legs have been properly secured to the cabinet base using the screws provided.



If the vent system does not operate satisfactorily during any of the above procedures, review all steps in these Installation Instructions to ensure that nothing has been omitted or overlooked. Also, refer to the Care & Use Manual for additional information or call Thermador Customer Support 1-800-735-4328.

Note: Check boxes as tasks are completed.

CONSIGNES DE SÉCURITÉ

LIRE TOUTES LES INSTRUCTIONS AVANT D'UTILISER L'APPAREIL.

LIRE ET CONSERVER CES INSTRUCTIONS

AVERTISSEMENT

Pour réduire le risque d'incendie, de choc électrique ou de lésions corporelles, observer ce qui suit :

- A. L'installation et le câblage électrique doivent être effectués par des personnes qualifiées conformément à toutes les normes et codes applicables, incluant la construction relative au feu.
- B. Suffisamment d'air est nécessaire pour une combustion appropriée et l'échappement des gaz par tirage (cheminée) d'équipement à combustion pour éviter le tirage arrière. Suivre les directives du fabricant d'équipement de chauffage et les normes de sécurité telles celles fournies par l'Association nationale de protection contre les incendies (NFPA) et la Société américaine d'ingénierie de chauffage, réfrigération et climatisation (ASHRAE) ainsi que les codes locaux.
- C. Au moment de couper ou percer un mur ou plafond, ne pas endommager le câblage électrique et autres services publics non apparents.
- D. Les ventilateurs à conduit doivent toujours être ventilés vers l'extérieur.
- E. Avant toute intervention, pensez à toujours débrancher l'appareil du réseau d'alimentation électrique.
- F. Cet appareil est conçu pour une utilisation intérieure seulement. Utiliser cet appareil uniquement de la façon préconisée par le fabricant.
- G. S'assurer que la table de cuisson est appropriée pour l'utilisation avec un événement de contre-tirage.
- H. L'appareil n'est pas destiné à être utilisé avec des tables de cuisson professionnelles.

AVERTISSEMENT

Pour ventilation générale seulement. Ne pas ventiler des vapeurs ou matériaux explosifs ou hasardeux.

Pour réduire le risque d'incendie et pour un échappement d'air approprié, s'assurer d'acheminer l'air vers l'extérieur. Ne pas ventiler l'air d'échappement dans les murs, plafonds, greniers, espaces fermés ou garages.

Pour réduire le risque d'incendie, utiliser des conduits en métal.

Pour réduire le risque d'incendie, de choc électrique et de lésions corporelles, le système de contre-tirage doit être utilisé avec une soufflerie intégrée, à distance ou en conduite.

Pour réduire le risque d'incendie ou de choc électrique, ne pas utiliser le ventilateur avec un dispositif de contrôle de vitesse à semi-conducteur.

Cet appareil est conforme avec la norme UL 507 pour ventilateurs électriques et la norme canadienne CAN/CSA-22.2 n° 113 pour ventilateurs. Le propriétaire et l'installateur sont tenus de déterminer si des normes ou exigences additionnelles s'appliquent pour une installation spécifique.

Pièces nécessaires (standard)

- Ruban à mesurer
- Tournevis à tête Phillips
- Ruban d'aluminium pour conduits
- Conduit (configuration variant selon l'emplacement ; voir pages 7 à 12 pour plus de détails)
- Vis à tôle additionnelles (au besoin pour l'installation de conduits)
- Scie (ou équivalent pour couper le plan de travail)
- Vis à bois n° 8 x 1 1/4 po (4)
- Plomb
- Fil pour atteindre la soufflerie à distance ou en conduite

Pièces nécessaires (spéciales)

- Soufflerie spéciale
- Boîte de transition (pour utilisation avec souffleries en conduite et à distance uniquement)
- Module de recirculation (utilisé uniquement pour les applications à recirculation)

Remarque : les systèmes de contre-tirage fonctionnent avec les souffleries suivantes : souffleries intégrées, à distance ou en conduite 600 pi³/mn souffleries à distance ou en conduite 1000 pi³/mn

Pièces fournies

- Ensemble de contre-tirage (1)
- Vis à tôle n° 8 (8)
- Réducteur de tension du cordon de soufflerie (1)
- Quincaillerie pour fixations sur évent (2)
- Queue de cochon de soufflerie à distance

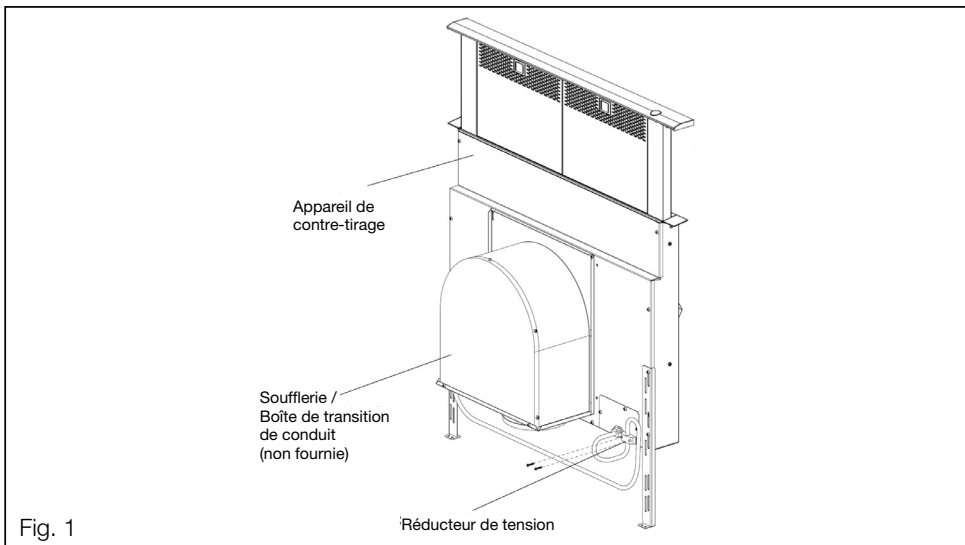


Fig. 1

INTRODUCTION DESCRIPTION GÉNÉRALE

Le système de contre-tirage complet comprend le contre-tirage, une soufflerie et une boîte de transition si l'on utilise une soufflerie en conduite ou à distance. Un module de recirculation est également disponible lorsque la mise en place de conduits vers l'extérieur n'est pas privilégiée ou est impossible. (Voir fig. 1).

La soufflerie peut être soit intégrée (montée sur l'entrée d'évent dans l'armoire sous la table de cuisson), en conduite montée entre la cuisine et le mur extérieur à l'intérieur du conduit), ou à distance (montée sur le toit ou le mur extérieur). Lorsqu'une soufflerie à distance ou en conduite est utilisée, une transition de conduit est fixée sur l'entrée de ventilateur au lieu d'une soufflerie intégrée pour brancher l'entrée sur le conduit. La transition de conduit doit être achetée séparément.

La soufflerie intégrée ou la transition de conduit peut être montée dans différentes positions sur l'entrée pour acheminer le conduit afin d'éviter l'armoire, la structure de l'édifice, les services publics, etc.

Le système de contre-tirage est disponible en 30 ou 36 po. Il est prévu pour être utilisé uniquement avec des tables de cuisson non professionnelles.

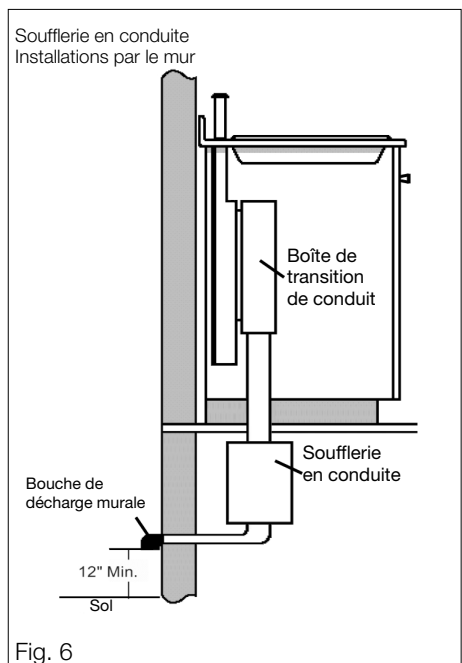
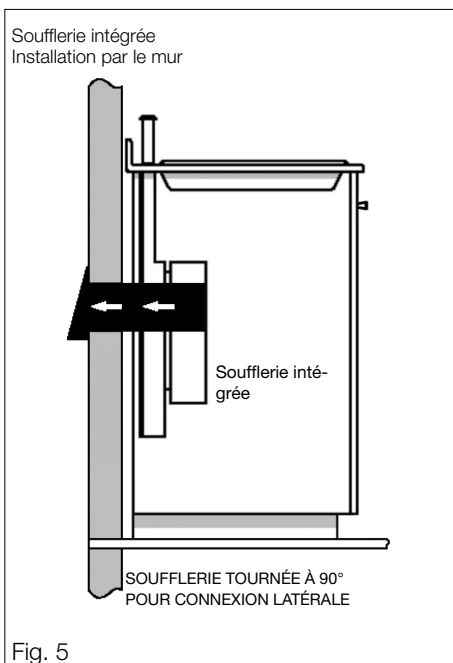
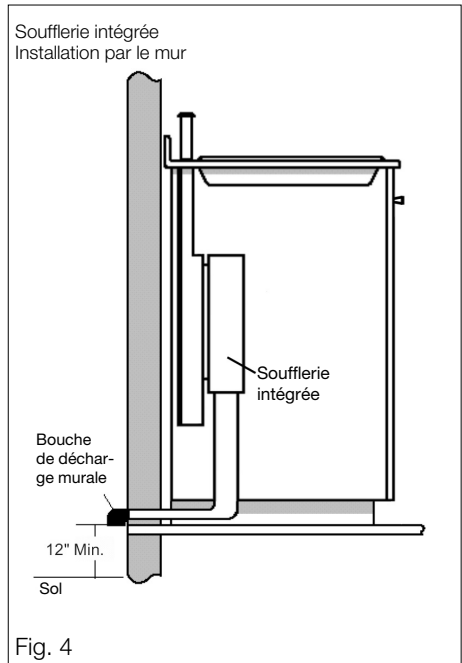
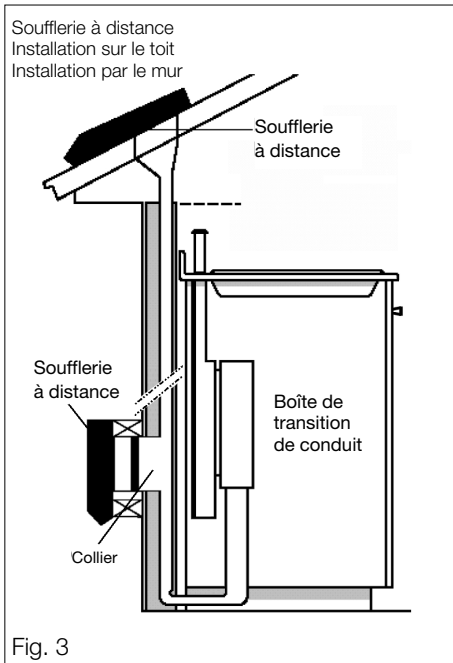
Un kit de recirculation peut être acheté séparément et utilisé parallèlement à la soufflerie intégrée si le conduit posé vers l'extérieur ne constitue pas une option viable.

Étape 1 : plan d'installation

Suivre attentivement le processus de planification indiqué ci-dessous (voir figure 2). Les schémas n'ont PAS pour fonction de tenir lieu de planification soigneuse.

- A. Déterminer si une soufflerie à distance, en conduite ou intégrée est utilisée.
 - L'installation d'une soufflerie à distance et en conduite requiert 4 fils plus un fil de mise à la terre allant du système de contre-tirage à la soufflerie.**
- B. S'assurer que l'espace d'armoire et de plan de travail est adéquat et que l'entrée et la soufflerie sont accessibles si une réparation est requise
- C. Il faut considérer les courants d'air créés par les fenêtres ouvertes, portes, climatiseur, événements de chauffage anciens, éclairages encastrés et le trafic pouvant réduire le rendement.
- D. Pour les installations de tables de cuisson à gaz, s'assurer qu'une ouverture minimale de 10 po² est prévue au coup-de-pied ou autre armoire. Une ventilation inadéquate de l'armoire sous la table de cuisson peut causer l'extinction de la flamme au moment d'actionner le système d'évent.
- E. Assurer une alimentation en air dans la pièce où l'appareil est installé. Si l'air d'appoint n'est pas assuré, alors il peut en résulter des problèmes comme un contre-tirage de la cheminée du foyer.

Les figures 3 à 6 sont des exemples de conduits possibles



DIRECTIVES D'INSTALLATION DE CONDUITS

- Le conduit doit ventiler directement vers l'extérieur (non dans un grenier, sous la résidence, dans le garage ou espace confiné). Un module de recirculation est disponible lorsque la pose de conduits vers l'extérieur est impossible.
- Garder les tracés de gaines les plus courts et droits possible.
- Les raccords (coudes et transitions) réduisent l'efficacité du débit d'air.
- Des coudes et des S, les uns à la suite des autres, offrent un débit faible et ne sont pas recommandés.
- Une courte longueur droite à l'entrée de la soufflerie à distance offre un meilleur débit.
- La transition à un conduit depuis la soufflerie intégrée ou de la transition de soufflerie à distance doit être aussi près que possible du contre-tirage. En ordre de préférence, utiliser :
 - 1er conduit rond 10 po
 - 2e conduit rond 8 po
 - 3e conduit 3-1/4 po x 14 po
 - 4e conduit rond 7 po
 - 5e conduit 3-1/4 po x 10 po
 - 6e conduit rond 6 po
- L'utilisation de conduit rond en métal flexible peut se faire seulement si aucun autre raccord de conduit n'existe. Limiter l'utilisation à de courtes longueurs et ne pas écraser les coins.
- Les coudes posés les uns à la suite des autres doivent être évités.
- Là où les codes locaux le permettent, un tuyau en plastique (40 PCV ou ABS de 7 ou 8 po de diamètre) peut être utilisé dans les endroits où il y a beaucoup d'humidité et des planchers en béton pour empêcher la rouille potentielle.
- Utiliser seulement des conduits fabriqués en matériaux acceptables conformément aux codes applicables. Tous les conduits doivent être de calibre 26 ou plus pour minimiser la flexibilité causée par le débit d'air.
- Les souffleries à distance requièrent un conduit rond de 10 ou 6 po de diamètre (selon le modèle) pour correspondre à l'anneau d'entrée. Une transition est nécessaire depuis d'autres dimensions de conduits.
- Utiliser des vis à tôle pour supporter le poids du conduit et sceller tous les joints avec du ruban à conduit.
- S'assurer que les conduits n'interfèrent pas avec les montants du plancher et du mur.
- Ne pas ventiler plus d'un événement dans un conduit simple.
- Pour les installations dans des endroits où il fait froid, il doit y avoir un registre anti-refoulement additionnel afin de minimiser le refoulement d'air froid et une barrière thermique non métallique pour minimiser la transmission des températures extérieures à l'intérieur des conduits. Le registre doit être placé du côté de l'air froid de la barrière thermique. La barrière thermique doit être aussi près que possible de l'endroit où le conduit entre dans la portion chauffée de la résidence.
- Toujours utiliser une bouche de décharge par le toit ou murale appropriée avec un registre. Les bouches de décharge murales de type sècheuse ne doivent jamais être utilisées.

Étape 2 : préparation de la découpe du plan de travail

Consulter la notice d'installation de la table de cuisson pour obtenir les dimensions de la table de cuisson, de la découpe du plan de travail et les exigences de l'armoire avant d'effectuer une découpe. La profondeur de la table de cuisson et la profondeur du dossier du plan de travail peuvent varier considérablement l'une de l'autre. Ces variations peuvent occasionner un ajustement serré du contre-tirage et de la table de cuisson. Un plan de travail (bord antérieur) doté d'un rebord et/ou d'un dossier anti-éclaboussure de taille importante (bord arrière) peut ne pas avoir suffisamment d'espace plat pour une installation adéquate.

- Vérifier que la table de cuisson est montée suffisamment vers l'avant afin que le contre-tirage puisse être installé derrière. Vérifier toutes les dimensions avant de découper le plan de travail.

Utiliser les produits physiques pour confirmer les découpes chaque fois que possible.

Pour toutes les installations, s'assurer que toutes les découpes dégagent l'intérieur du devant du rail support du plan de travail et que la table de cuisson et l'évent sont centrés de gauche à droite dans la découpe. De plus, s'assurer que les découpes avant et arrière sont droites et parallèles au bord avant du plan de travail et au mur et/ou dossier arrière. S'assurer que les découpes latérales sont d'équerre avec les découpes avant et arrière.

Toutes les illustrations et les dimensions sont en fonction des armoires de type américain de 24 po de profondeur x 36 po de haut standard avec plan de travail de 25 po.

Si l'on installe un plan de travail uni ou laminé comme Surrell™ et Corian®, s'assurer de suivre les instructions du fabricant du plan de travail concernant les rayons d'angle minimum, les renforts de coin, etc.

Remarque : cocher les cases au fur et à mesure de l'exécution des tâches.

Pour les dégagements latéraux pour armoires suspendues et tables de cuisson, consulter la notice d'installation de la table de cuisson.

INSTALLATION AVEC TABLE DE CUISSON

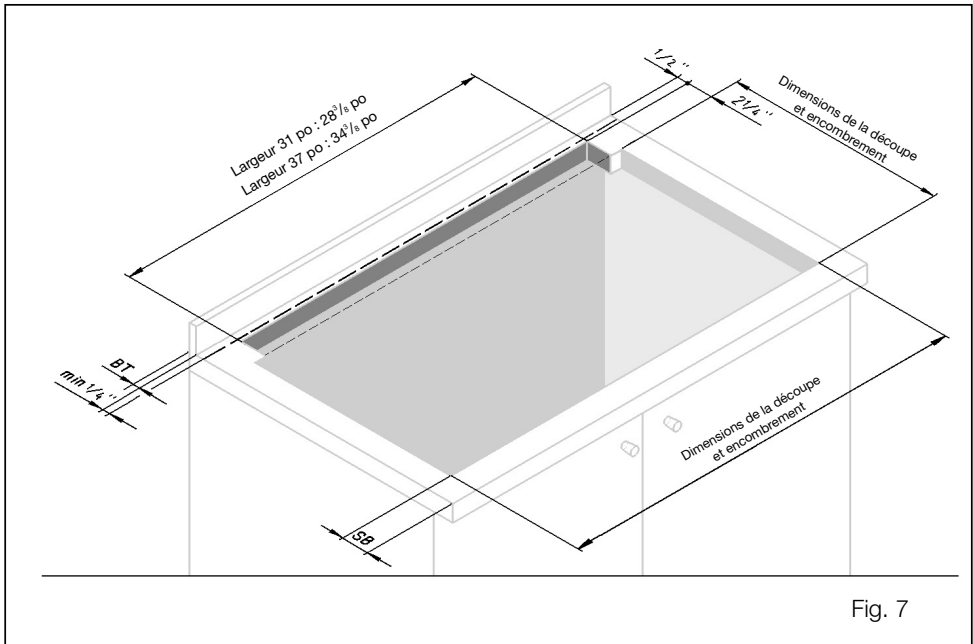


Fig. 7

Remarques

La dimension « **SB** » est la distance minimale du bord du comptoir au bord de la découpe.

La dimension « **BT** » est l'épaisseur du dossieret donnant un dégagement de 1/4 de po entre l'évent et le dossieret. Tout dossieret avec un rayon courbé à la rencontre du comptoir requiert un dégagement additionnel. L'épaisseur du dossieret peut être utilisée pour augmenter la profondeur de l'armoire et du plan de travail.

Positionner la table de cuisson dans l'ouverture du plan de travail de manière à ce que le bord arrière de la table soit superposé sur le bord arrière du système de contre-tirage.

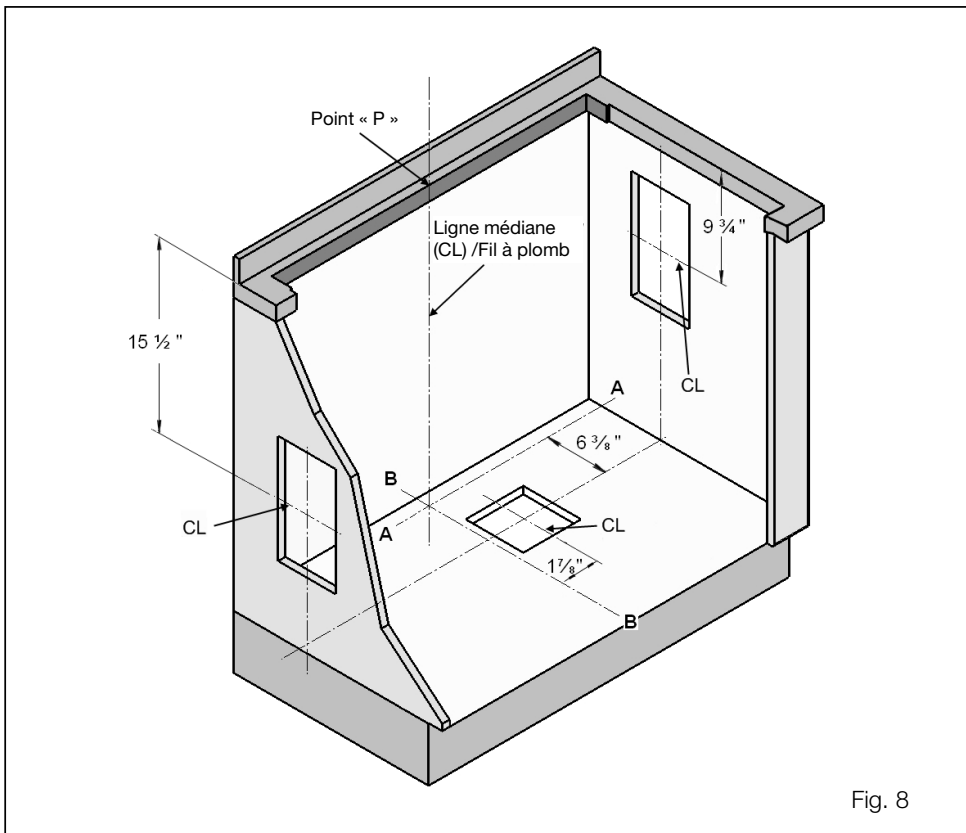


Fig. 8

Étape 3 : préparation des découpes de conduits dans l'armoire

- A. Voir figure 8. Tirer une ligne du point « P » au centre arrière de la découpe du plan de travail. Marquer ce point au bas de l'armoire en dessous. Établir deux lignes de références par ce point : une doit être parallèle au devant de l'armoire et directement sous la découpe du plan de travail arrière (ligne A-A) et l'autre (ligne B-B) doit être à angle droit par rapport à la ligne A-A.
- B. Utiliser ces lignes de références comme base aux mesures pour établir les découpes d'armoire nécessaires pour mettre en place le chemin de conduit planifié. Là où une gamme de mesures est notée, choisir une mesure que offre le meilleur dégagement des montants de murs, plafonds, services publics et autres obstructions.
- C. Avant d'effectuer les découpes de conduits, mettre temporairement l'entrée et la table de cuisson en place et fixer la soufflerie intégrée (ou raccord de transition de conduit si soufflerie à distance ou soufflerie en conduite installée). Voir étapes 6 et 7. S'assurer que les découpes de conduit marquées correspondent à l'installation des ferrures. Ajuster la découpe de conduit comme nécessaire pour correspondre à l'installation de ferrure.
- D. Enlever les ferrures placées temporairement et faire les découpes dans l'armoire pour accommoder l'installation de conduit.
- E. Faire toutes les modifications d'armoire nécessaires pour assurer les dégagements appropriés pour les tiroirs ou tablettes amovibles.


Remarque : cocher les cases au fur et à mesure de l'exécution des tâches.

Étape 4 : installation des conduits (soufflerie à distance ou en conduite, si utilisée)

- A. Installer les conduits et la soufflerie à distance (si utilisée) conformément au plan d'acheminement des conduits établi à l'étape 1.
- B. S'assurer que l'installation est conforme à toutes les directives d'installation. Le type et la longueur des conduits et le manque d'air d'appoint peuvent réduire le débit en pi³/mn. Vérifier aussi si l'ouverture où passe le conduit par le mur extérieur ou toit a été bien ajustée et scellée pour empêcher les fuites.
- C. Si l'on utilise une soufflerie intégrée, passer à l'étape 5.
- D. Si l'on utilise une soufflerie à distance ou en conduite, voir la notice d'installation fournie avec ce modèle.

Étape 5 : installation de l'électricité

- Vérifier les codes de construction locaux pour la méthode appropriée d'installation. Aux É.-U., s'il n'y a pas de codes locaux applicables, cet appareil doit être installé conformément au Code national de l'électricité ANSI/NFPA n° 70, édition courante. (Au Canada, l'installation doit être conforme aux codes d'installation CAN 1-B149.1 et .2 pour appareils à gaz et/ou aux codes locaux.
- L'appareil doit être mis à la terre. En cas de court-circuit, la mise à la terre réduit le risque de choc électrique en permettant au courant électrique de s'échapper par la terre. Cet appareil est doté d'un cordon ayant un fil de mise à la terre avec une fiche mise à la terre. La fiche doit être branchée sur une prise adéquatement installée et mise à la terre.

 **AVERTISSEMENT** – une mise à la terre inadéquate peut causer un risque de choc électrique.

Seul un électricien qualifié, ou une personne de qualification similaire, doit effectuer les branchements électriques.

Ne pas utiliser de rallonge. Si le cordon d'alimentation est trop court, demander à un électricien qualifié d'installer une prise à proximité de l'appareil.

La prise doit être située sous le plan de travail afin que le cordon d'alimentation de 30 po venant de l'évent puisse l'atteindre. Voir figure 8.

- Le cordon doit être acheminé sous l'appareil et loin de la chaleur générée par la table de cuisson. L'accès ne doit pas être obstrué par la soufflerie, l'armoire, le conduit ou les services électricité/gaz pour la table de cuisson. Toute l'alimentation pour le système d'évent, incluant la soufflerie à distance, si utilisée, est fournie par le cordon à l'appareil d'entrée. La prise de courant peut être habituellement alimentée par une autre prise de courant de la cuisine ou avoir son propre circuit depuis le panneau de service principal.

Ne pas brancher le cordon de l'évent sur la prise avant l'étape 8.

Étape 6 : installation de l'évent et de la table de cuisson

- A. Enlever les filtres à graisse et tout matériel d'emballage à l'intérieur de l'entrée.
- B. Régler l'entrée d'évent à l'arrière de l'ouverture du plan de travail. Mettre délicatement en position afin que les rebords sur les côtés arrières et que les bords supportent entièrement l'appareil suspendu au plan de travail.
- C. Maintenir l'appareil contre l'arrière de l'ouverture du plan de travail, faire glisser la fixation de pied vers le bas pour rencontrer le bas de l'armoire. Vérifier et régler le niveau, puis fixer les fixations de pieds à l'armoire avec les ferrures comprises.

Remarque : cocher les cases au fur et à mesure de l'exécution des tâches.

Étape 7 : installation de la soufflerie intégrée ou de la transition de conduit de sortie pour la soufflerie à distance ou en conduite

Soufflerie intégrée (voir figures 9 et 11 pour plus de détails) :

- A. Fixer la soufflerie à l'avant de la sortie d'échappement ronde avec 4 à 6 vis à tête n°8 (selon la configuration).
- B. Faire passer le cordon de la soufflerie à travers le réducteur de tension.
- C. Fixer le réducteur de tension avec les vis.
- D. Fixer le réducteur de tension au contre-tirage près de la boîte de jonction.
- E. Brancher le cordon sur le contre-tirage au connecteur à 6 broches.
- F. Brancher la soufflerie sur le conduit.

- G. Positionner la table de cuisson dans l'ouverture du plan de travail de manière à ce que le bord arrière de la table soit superposé sur le bord avant de l'évén. S'assurer que le bord arrière de la table de cuisson ne bute pas contre l'avant de l'élévateur. Suivre la notice d'installation du fabricant pour installer les bandes d'étanchéité, le ruban isolant protecteur (si nécessaire), fixer solidement la table de cuisson au plan de travail et effectuer les raccordements électriques et/ou de gaz de la table de cuisson.

Remarque : cocher les cases au fur et à mesure de l'exécution des tâches.

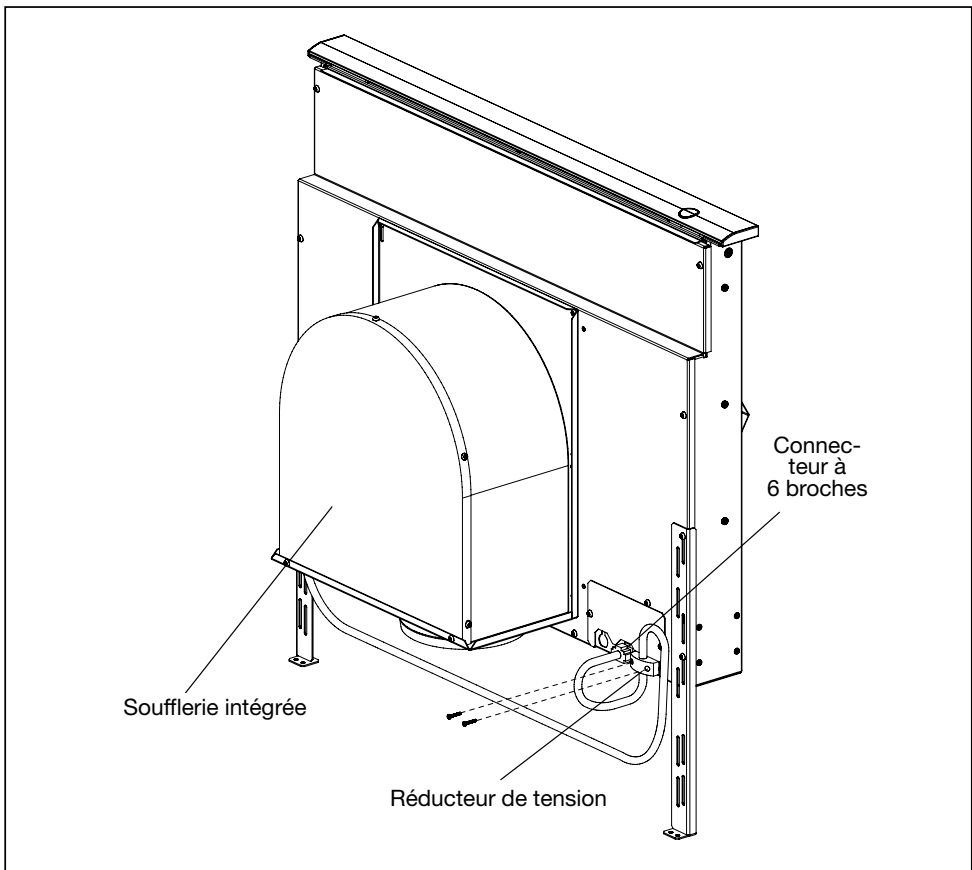


Fig. 9 – Soufflerie intégrée

Soufflerie à distance ou en conduite (voir figures 10 et 11 pour plus de détails) :

- A. Retirer le couvercle de la boîte de jonction et brancher le conduit avec 5 fils depuis la soufflerie à distance. Brancher les fils selon le diagramme de câblage, figure 10 Remettre le couvercle de la boîte de jonction.
- B. Fixer la boîte de transition de conduit sur les trous de fixation avec les vis à tête.
- C. Faire passer la queue de cochon de la soufflerie à distance à travers le réducteur de tension.
- D. Fixer le réducteur de tension au contre-tirage près de la boîte de jonction.
- E. Brancher la queue de cochon sur le contre-tirage au connecteur à 6 broches.
- F. Acheminer les fils en tire-bouchon à la boîte de jonction.
- G. Dans la boîte de jonction, brancher le conduit avec 5 fils de la soufflerie à distance ou intégrée. Utiliser un connecteur pour fixer solidement le tout.

Remarque : la soufflerie et la boîte de transition de conduit peuvent être installées avec la sortie de conduit à gauche, vers le bas ou à droite. Installer la soufflerie ou la transition de conduit de façon à ce que le panneau d'accès puisse être enlevé pour réparation.

- H. Positionner la table de cuisson dans l'ouverture du plan de travail de manière à ce que le bord arrière de la table soit superposé sur le bord avant de l'évent. S'assurer que le bord arrière de la table de cuisson ne bute pas contre l'avant de l'élévateur. Suivre la notice d'installation du fabricant pour installer les bandes d'étanchéité, le ruban isolant protecteur (si nécessaire), fixer solidement la table de cuisson au plan de travail et effectuer les raccordements électriques et/ou de gaz de la table de cuisson.

Remarque : cocher les cases au fur et à mesure de l'exécution des tâches.

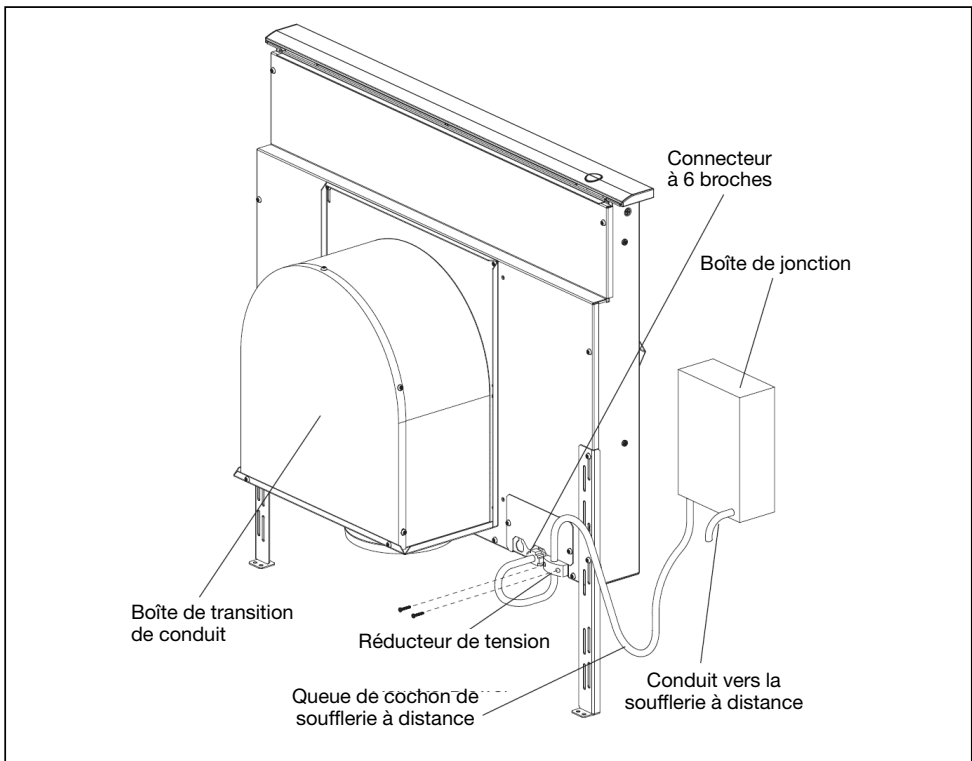


Fig. 10 – Soufflerie à distance

Schéma de câblage

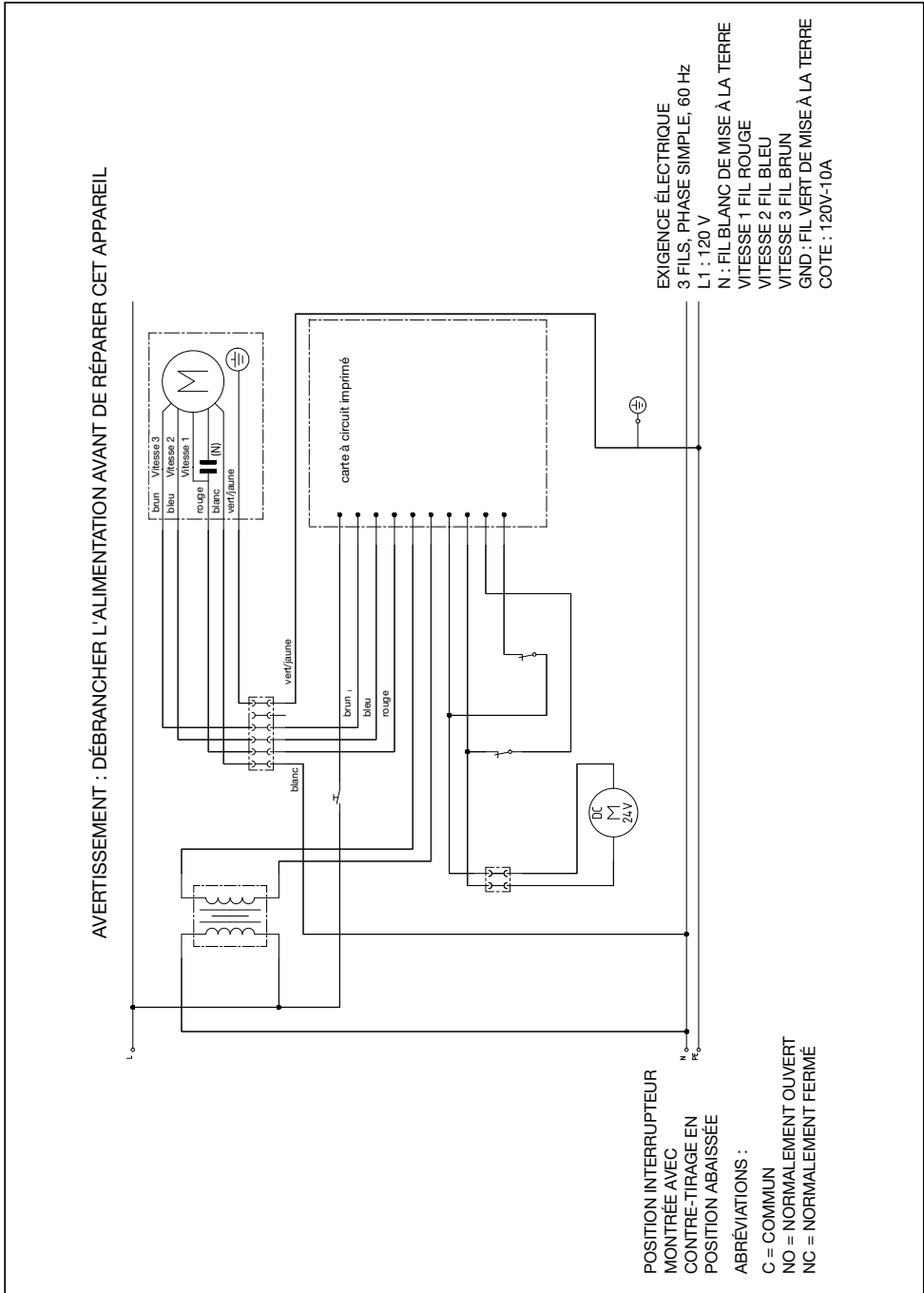


Fig. 11

Étape 8 : Vérifier l'installation, le fonctionnement et l'alignement de la table de cuisson

- Avant d'effectuer cette marche à suivre, s'assurer que tout matériel d'emballage a été enlevé à l'intérieur de l'élévateur et que les filtres à graisse et le panneau avant sont bien installés. Consulter le guide d'entretien et d'utilisation pour des instructions relatives à l'installation des filtres et du panneau avant.
- Brancher le cordon d'alimentation de l'événement sur une prise électrique appropriée et s'assurer que le circuit est sous tension.
- A. Élever l'élévateur en position maximale en pressant la touche UP/DOWN une fois. Ne pas maintenir la touche enfoncée. Le moteur s'arrête lorsque l'élévateur atteint sa pleine hauteur. (Remarque : la soufflerie ne fonctionne pas à moins que l'élévateur ne soit complètement élevé).
- B. Retirer la pellicule protectrice du dessus de l'embout.
- C. Mettre la soufflerie en circuit en choisissant, tour à tour, chacune des 3 vitesses. La laisser fonctionner quelques minutes à chaque vitesse pour évaluer le rendement.
- D. La soufflerie en fonctionnement, abaisser l'élévateur à sa position rétractée en pressant la touche UP/DOWN. La soufflerie se met immédiatement hors circuit.

- E. La soufflerie en position élevée, fermer les fenêtres et portes de la pièce pour s'assurer que le ventilateur ne cause pas un contre-tirage dans tout événement de sortie d'autres appareils.
- F. Élever et abaisser de nouveau l'événement et s'assurer que l'embout sur l'élévateur n'accroche pas le bord arrière de la table de cuisson lorsqu'il est abaissé. S'il y a une interférence, régler la position de la table de cuisson en la déplaçant contre le bord avant du plan de travail. Si l'interférence n'est pas éliminée, cela peut causer des dommages permanents à l'événement. De plus, s'assurer que les pieds supports de l'événement sont fixés adéquatement à la base de l'armoire avec les vis fournies.



Si le système d'événement ne fonctionne pas adéquatement pendant une des marches à suivre susmentionnées, revoir toutes les étapes de cette notice d'installation pour s'assurer que rien n'a été oublié. Pour de plus amples informations, consulter également le guide d'entretien et d'utilisation ou téléphoner au service à la clientèle de Thermador au 1-800-735-4328.

Remarque : cocher les cases au fur et à mesure de l'exécution des tâches.

INSTRUCCIONES DE SEGURIDAD

LEA TODAS LAS INSTRUCCIONES ANTES DE USAR EL APARATO.

LEA Y GUARDE ESTAS INSTRUCCIONES

ADVERTENCIA

Para reducir el riesgo de fuego, descargas eléctricas o sufrir lesiones, observe lo siguiente:

- A. El trabajo de instalación y la instalación eléctrica deben ser realizados por (una) persona(s) autorizada(s) de acuerdo con todos los códigos y normas aplicables, incluidos los códigos de construcción con respecto a incendios.
- B. Se necesita suficiente aire para lograr una combustión apropiada y para sacar los gases a través del tubo de humo (chimenea) del quemador de combustible para evitar el contratiro. Siga las pautas del fabricante del equipo de calefacción y las normas de seguridad, tales como las que fueron publicadas por la Asociación Nacional de Protección contra Fuegos (NFPA) y la Sociedad Americana para Ingeniería de Calefacción, Refrigeración y Aire Acondicionado (ASHRAE), y de las autoridades locales.
- C. No dañe el cableado eléctrico ni otras instalaciones de servicios ocultas cuando corte o perfore la pared o el techo.
- D. Los ventiladores entubados siempre deben ser ventilados hacia el exterior.
- E. Siempre desenchufe o desconecte el aparato de la fuente de alimentación eléctrica antes de realizar el servicio técnico.
- F. Esta unidad fue diseñada para uso exclusivo en interiores. Use esta unidad solamente para el uso previsto por el fabricante.
- G. Asegúrese de que la parrilla sea adecuada para uso con una ventilación de tiro descendente.
- H. No diseñado para uso con parrillas profesionales.

ADVERTENCIA

Solamente para uso de ventilación general. No se debe usar para extraer materiales ni vapores peligrosos o explosivos.

Para reducir el riesgo de fuego y para extraer el aire correctamente, asegúrese de conducir el aire hacia el exterior. No extraiga el aire de escape a espacios dentro de paredes, techos, áticos, huecos sanitarios o garajes.

Para reducir el riesgo de fuego, utilice solamente ductos de metal.

Para reducir el riesgo de fuego, descargas eléctricas y lesiones a personas, el tiro descendente debe utilizarse con un ventilador interno, remoto o en línea.

Para reducir el riesgo de fuego o descargas eléctricas, no use el ventilador con ningún regulador de velocidad de estado sólido.

Este aparato cumple con la norma UL 507 para ventiladores eléctricos y la norma canadiense CAN/CSA-22.2 No. 113 para ventiladores. Es la responsabilidad del propietario y del instalador determinar si se aplican requisitos o normas adicionales en instalaciones específicas.

Partes necesarias (estándares)

- Cinta de medir
- Destornillador de cabeza Phillips
- Cinta para ductos de aluminio
- Ductos (la configuración varía según el lugar; Ver las páginas 7-12 para más información)
- Tornillos autorroscantes adicionales (según sea necesario para instalar los ductos)
- Sierra (o elemento equivalente para cortar la cubierta)
- Tornillos para madera (4) #8 x 1 1/4"
- Plomada
- Cable para el ventilador remoto o en línea

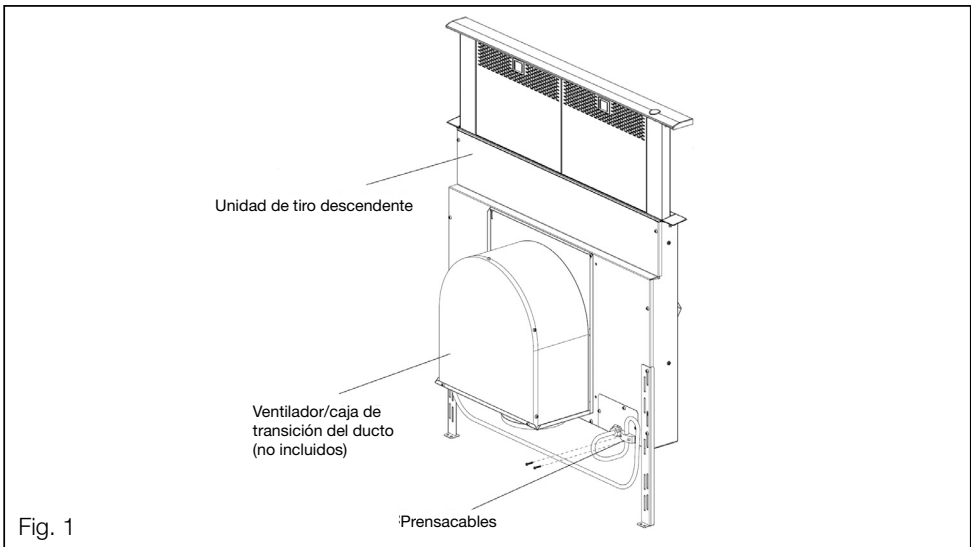
Partes necesarias (especiales)

- Ventilador especial
- Caja de transición (para uso solamente con ventiladores en línea y remotos)
- Módulo de recirculación (utilizado solamente para aplicaciones de recirculación)

Nota: Los tiros descendentes son aptos para los siguientes ventiladores: Ventiladores integrados, remotos o en línea 600 CFM Ventiladores remotos o en línea 1000 CFM

Partes que se incluyen

- Conjunto del tiro descendente (1)
- Tornillos autorroscantes #8 (8)
- Prensacables para el cable del ventilador (1)
- Equipo para soportes en la ventilación (2)
- Cable flexible del ventilador remoto



INTRODUCCIÓN

DESCRIPCIÓN GENERAL

El sistema de tiro descendente completo consta de un tiro descendente, un ventilador y una caja de transición en caso de utilizar un ventilador en línea o remoto. También se dispone de un módulo de recirculación cuando no se prefiere o no es posible tener una salida de aire hacia el exterior. (Ver la Fig. 1).

El ventilador puede ser integral (montado sobre la toma de aire del ventilador en el gabinete abajo de la parrilla), en línea (montado entre la cocina y la pared exterior a lo largo de la línea del ducto) o remoto (montado en el techo o la pared exterior). Cuando se utiliza un ventilador remoto o en línea, se debe montar una transición del ducto en la toma de aire del ventilador en lugar del ventilador integral para conectar la toma de aire al ducto. Se debe comprar la transición del ducto por separado.

Se puede montar el ventilador integral o la transición del ducto en posiciones diferentes sobre la toma de aire para enrutar los ductos y evitar gabinetes, marcos de construcción, instalaciones de servicios, etc.

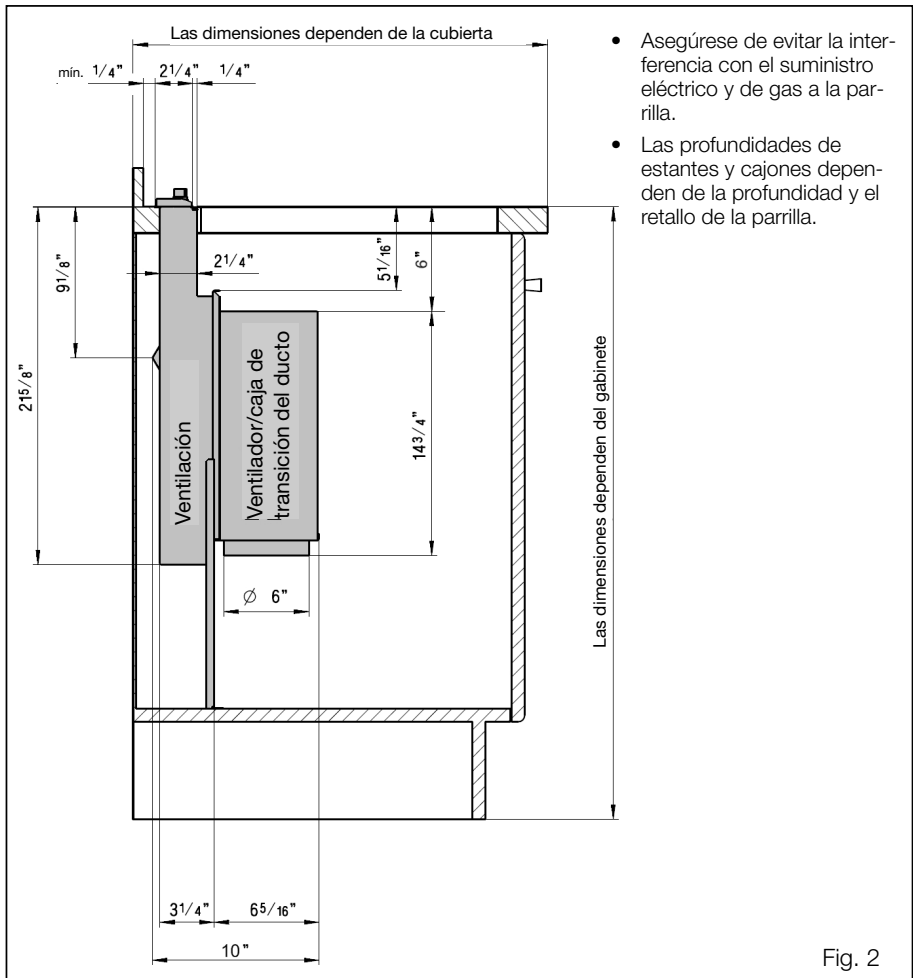
El sistema de tiro descendente está disponible en 30 pulgadas o 36 pulgadas. Diseñado únicamente para uso con parrillas no profesionales.

Se puede comprar un kit de recirculación por separado y utilizarlo junto con el ventilador integral si tener una salida de aire hacia el exterior no es una opción viable.

Paso 1: Planear la instalación

Seguir los procedimientos de planeación a continuación cuidadosamente (Ver la Figura 2). Los dibujos NO reemplazan una planeación cuidadosa.

- A. Determinar si se va a utilizar un ventilador remoto, en línea o integral. **La instalación de un ventilador remoto y en línea requiere 4 cables más un cable de tierra desde el tiro descendente hasta el ventilador.**
- B. Asegurarse de proporcionar el espacio apropiado de gabinete y cubierta, y que la toma de aire y el ventilador estén accesibles por si se requiere realizar el servicio técnico.
- C. Considerar que las corrientes cruzadas creadas por ventanas y puertas abiertas adyacentes, aire acondicionado, ventilaciones de calefacción usadas, luces empotradas del techo y patrones de tránsito pueden afectar el rendimiento.
- D. Para instalaciones de parrillas de gas, asegurar una abertura mínima de 10 pulgadas cuadradas en el área del panel de pie u otra área del gabinete. Una ventilación incorrecta del gabinete abajo de la parrilla puede provocar que se apaguen las llamas al operar el sistema de ventilación.
- E. **Proporcionar suministro de aire o "aire necesario" al cuarto donde se va a instalar la unidad. Cuando no se proporciona el "aire necesario", entonces se pueden presentar problemas, tales como corrientes descendentes del tiro de una chimenea.**



F. Investigar posibles rutas de los ductos y escoger la ruta más corta posible desde la unidad a una pared exterior o al techo a través de una pared interior y ático. Para fines de orientación, las figuras 3 a 6 muestran instalaciones típicas de ductos como ejemplos. La instalación en una isla requiere colocar los ductos debajo del piso. Las instalaciones en península generalmente requieren colocar los ductos en forma lateral, a través de los gabinetes, o debajo de los espacios para los pies en los gabinetes. Con-

siderar posibles interferencias con los ductos debido a bastidores y marcos de construcción (viguetas de piso, pernos de pared, etc.) e instalaciones de servicios (cableado eléctrico, líneas de gas, agua o de desagüe, etc.).

G. Comprar los ductos necesarios para que el aire salga hacia el exterior o comprar el módulo de recirculación de tiro descendente por separado si tener una salida de aire hacia el exterior no es una opción viable.

Las Figuras 3 a 6 son ejemplos de posibles ductos

Ventilador remoto Instalación con montaje en el techo Instalación a través de la pared

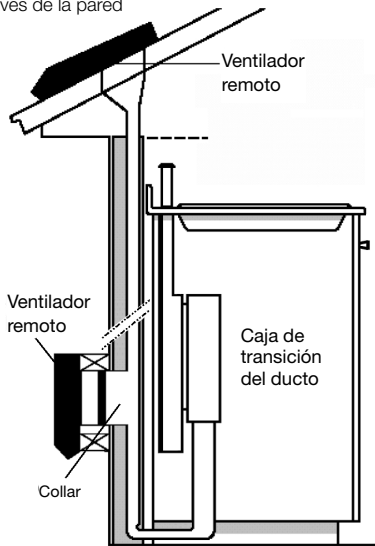


Fig. 3

Ventilador integral Instalación a través de la pared

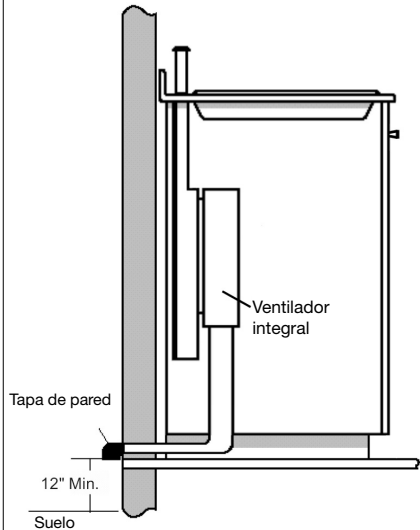


Fig. 4

Ventilador integral Instalación a través de la pared

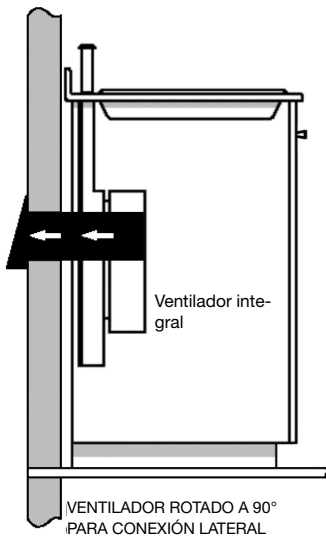


Fig. 5

Ventilador en línea Instalaciones a través de la pared

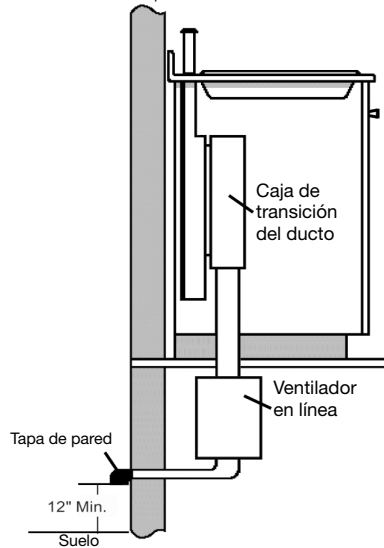


Fig. 6

LINEAMIENTOS PARA LA INSTALACIÓN DE DUCTOS

- Los ductos deben extraer el aire directamente hacia el exterior (no hacia un ático, debajo de la casa, al garaje o a cualquier espacio confinado). Se dispone de un módulo de recirculación cuando no es posible tener una salida de aire hacia el exterior.
- Los tramos de los ductos deben quedar lo más cortos y rectos posible.
- Las conexiones de ductos (codos y transiciones) reducen la eficiencia del flujo de aire.
- Los codos conectados uno al otro y los giros en forma de "S" reducen el flujo y no se recomiendan.
- Un ducto corto y recto a la entrada del ventilador remoto produce el mejor rendimiento.
- La transición al ducto del ventilador integral o la transición del ducto remoto debe estar lo más cerca posible del tiro descendente. En orden de preferencia, utilizar
 - 1er ducto redondo de 10"
 - 2do ducto redondo de 8"
 - 3er ducto de 3-1/4" x 14"
 - 4to. ducto redondo de 7"
 - 5to. ducto de 3-1/4" x 10"
 - 6to. ducto redondo de 6"
- Solamente se deben usar ductos redondos flexibles de metal cuando no existe ninguna otra conexión de ductos. Limitar el uso a longitudes cortas y no aplastarlos al hacer esquinas.
- Se deben evitar los codos conectados uno al otro.
- Donde los códigos locales lo permiten, se puede utilizar tubo de plástico (tubo de PVC calibre 40 o tubo ABS con diámetro de 7" u 8") en áreas con elevada humedad del suelo y en pisos de losa para eliminar la futura oxidación.
- Utilizar solamente ductos construidos de materiales aceptables por los códigos aplicables. Todos los ductos deben ser de calibre 26 o más grueso para minimizar la flexión debido al flujo de aire.
- Los ventiladores remotos requieren un ducto redondo con diámetro de 10" o 6" (según el modelo) para hacer juego con el anillo de entrada. Se necesita una transición para otros tamaños de ductos.
- Usar tornillos autorroscantes como se requieren para soportar el peso del ducto y sellar todas las uniones con cinta para ductos.
- Asegurarse de que el ducto no interfiera con las viguetas de piso o pernos de pared.
- No extraer el aire de más de una ventilación a un solo tramo del ducto.
- Las instalaciones en clima frío deben contar con un regulador de contratiro adicional instalado para minimizar el reflujos de aire frío y una barrera térmica no metálica para minimizar la conducción de las temperaturas externas como parte del ducto. El regulador de tiro debe estar en el lado del aire frío de la barrera térmica. La barrera debe estar tan cerca como sea posible del lugar donde el ducto ingresa a la parte calefaccionada de la casa.
- Siempre utilizar una tapa apropiada de techo o pared con un regulador de tiro. Nunca se deben usar tapas de pared tipo lavandería.

Paso 2: Preparar el recorte en la cubierta

Consultar las instrucciones de instalación de la parrilla para conocer las dimensiones de la parrilla, del recorte en la cubierta y los requisitos de los gabinetes antes de realizar cualquier recorte. La profundidad de la parrilla y la profundidad de la salpicadura trasera de la cubierta pueden variar en gran medida de una a otra. Estas variaciones pueden hacer que quede muy poco espacio entre el tiro descendente y la parrilla. Es posible que una cubierta (borde delantero) con un reborde elevado y/o una salpicadura trasera (borde trasero) ancha no deje suficiente cubierta plana para realizar una instalación adecuada.

- Verificar que la parrilla se encuentre lo suficientemente hacia adelante para que el tiro descendente entre detrás. Verificar todas las dimensiones antes de cortar las cubiertas.

Usar los productos físicos para confirmar los recortes, siempre que sea posible.

Verificar para todas las instalaciones que todos los recortes liberen el interior del riel de soporte delantero de la cubierta, y que la parrilla y la ventilación queden centradas de izquierda a derecha dentro del recorte. Además, asegurar que los recortes en la parte delantera

y trasera estén rectos y paralelos al borde delantero de la cubierta y la salpicadura trasera y/o la pared. Asegurar que los recortes laterales estén en escuadra respecto de los recortes de la parte delantera y trasera.

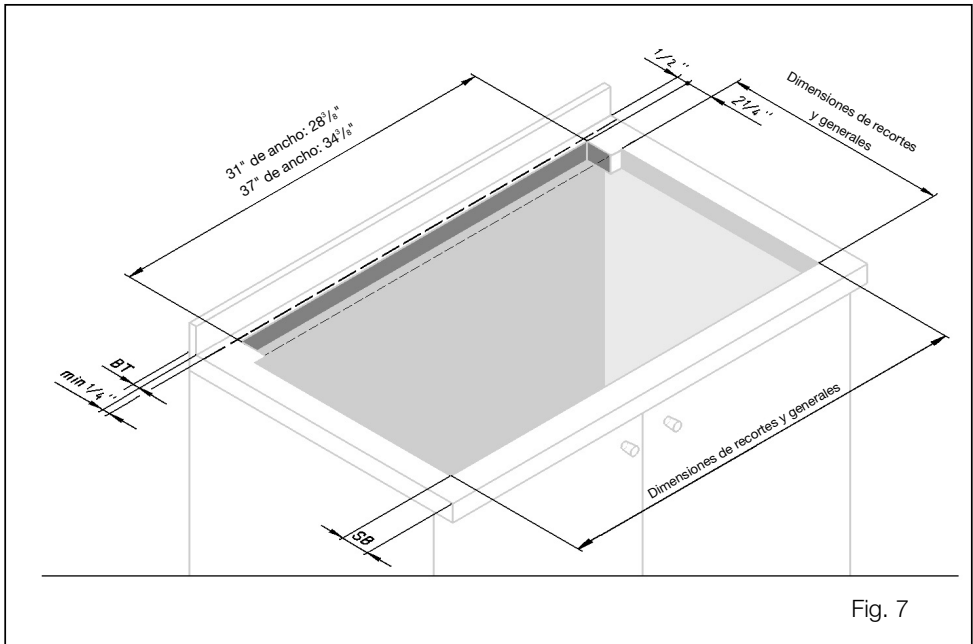
Todas las ilustraciones y dimensiones se basan en gabinetes estándares estilo americano de 24" de profundidad por 36" de altura con cubiertas de 25".

Al instalar cubiertas laminadas o con superficies sólidas como Surell™ y Corian®, asegurarse de seguir las instrucciones del fabricante de la cubierta con respecto a los radios mínimos de esquinas, el refuerzo de las esquinas, etc.

Nota: Marcar las casillas a medida que se completen las tareas.

Consultar las instrucciones de instalación de la parrilla para los espacios libres de gabinetes elevados y los costados de la parrilla.

INSTALACIÓN CON PARRILLAS



Notas

La dimensión “**SB**” es la mínima distancia del borde delantero de la cubierta al borde delantero del recorte.

La dimensión “**BT**” es el espesor de la salpicadura trasera que proporciona 1/4" de espacio libre entre la ventilación y la salpicadura trasera. Una salpicadura con radio curvado donde hace contacto con la cubierta va a necesitar un espacio libre adicional. Se pueden usar salpicaduras traseras más gruesas aumentando las profundidades de la cubierta y del gabinete.

Colocar la parrilla en la abertura de la cubierta de modo que el borde trasero de la parrilla se superponga con el borde delantero del tiro descendente.

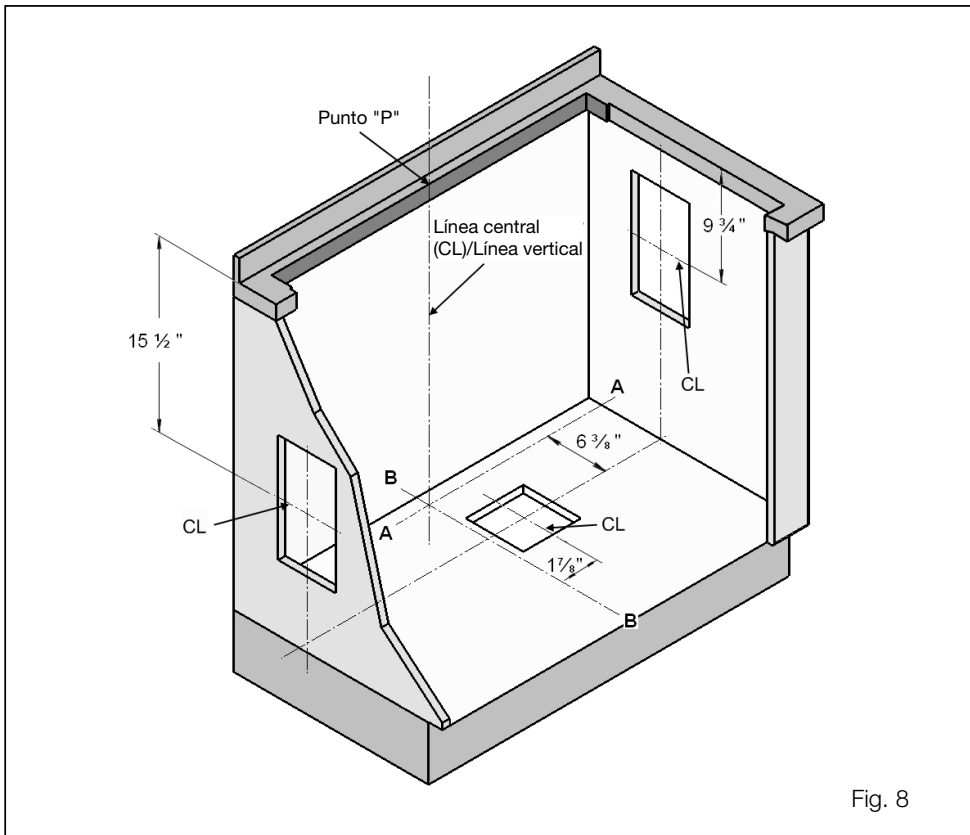


Fig. 8

Paso 3: Preparar los recortes para los ductos en el gabinete

- A. Consultar la Figura 8. Establecer una línea vertical desde el punto "P" en el centro trasero del recorte en la cubierta. Marcar este punto en el fondo del gabinete que se encuentra debajo. Construir dos líneas de referencia a través de este punto: una debe quedar paralela al frente del gabinete y directamente debajo del recorte trasero de la cubierta (Línea A-A), y la otra (Línea B-B) debe quedar en ángulos rectos a A-A.
- B. Utilizando estas líneas de referencia como base para las mediciones, diseñar los recortes necesarios del gabinete para implementar la ruta planeada del ducto. Donde se nota un rango de mediciones, escoger una medición que permita el espacio libre más adecuado desde los pernos de pared, viguetas de pisos, instalaciones de servicios u otras obstrucciones.
- C. Antes de hacer los recortes del ducto, colocar la toma de aire y la parrilla temporalmente en su lugar y fijar el ventilador integral (o la conexión para la transición del ducto si se instala un ventilador remoto o en línea). Consultar los pasos 6 y 7. Verificar que los recortes del ducto, tal como están marcados, coincidan con la instalación del equipo. Ajustar el recorte del ducto según sea necesario para coincidir con la instalación del equipo.
- D. Quitar el equipo colocado temporalmente y hacer los recortes en el gabinete para acomodar la instalación del ducto.
- E. Realizar todas las otras modificaciones necesarias en el gabinete para proporcionar espacios libres suficientes para los cajones o estantes removibles.


Nota: Marcar las casillas a medida que se completen las tareas.

Paso 4: Instalar el ducto (ventilador remoto o en línea, si se usa)

- A. Instalar el ducto y el ventilador remoto (si se usa) de acuerdo con el plan de enrutamiento del ducto desarrollado en el paso 1.
- B. Asegurar que la instalación cumpla con todos los lineamientos de instalación. El tipo y la longitud del ducto, y la falta de aire de reposición pueden reducir los CFM. Verificar también que la abertura donde el ducto atraviesa la pared exterior o el techo haya sido sellada correctamente para evitar fugas.
- C. Si se utiliza el ventilador integral, seguir con el paso 5.
- D. Si se utiliza el ventilador remoto o en línea, consultar las instrucciones de instalación para ese modelo.

Paso 5: Instalar el servicio eléctrico

- Primero se deben revisar los códigos locales de construcción para conocer el método correcto de instalación. En los E.U.A., cuando no hay códigos locales aplicables, se debe instalar esta unidad de acuerdo con el Código Eléctrico Nacional ANSI/NFPA No. 70, edición actual. (En Canadá, la instalación debe cumplir con los códigos de instalación CAN 1-B149.1 y .2 para aparatos con quemadores de gas y/o los códigos locales).
- El aparato debe estar conectado a tierra. En caso de un cortocircuito eléctrico, la conexión a tierra reduce el riesgo de una descarga eléctrica proporcionando un cable de escape para la corriente eléctrica. Esta aparato viene equipado con un cable con un hilo de conexión a tierra y un enchufe para conexión a tierra. Se debe enchufar en un tomacorriente correctamente instalado y puesto a tierra.

 **ADVERTENCIA** – Una conexión incorrecta a tierra puede crear el riesgo de sufrir una descarga eléctrica.

Únicamente un electricista calificado o una persona que esté igualmente calificada deben realizar las conexiones eléctricas.

No usar un cable de extensión. Si el cable de alimentación eléctrica es muy corto, contratar a un electricista calificado para que instale un tomacorriente cerca del aparato.

El receptáculo debe quedar debajo de la cubierta, de modo que el cable de alimentación de 30 pulgadas de largo de la ventilación pueda alcanzarlo. Ver la Figura 8.

- Se debe enrutar el cable por debajo del aparato y lejos del calor generado por la parrilla. El acceso no debe estar obstruido por el ventilador, el gabinete, el ducto ni las instalaciones eléctricas/de gas para la parrilla. Toda la corriente para el sistema de ventilación (incluido el ventilador remoto, si se usa) es suministrada a través del cable a la unidad de toma de aire. Generalmente se puede extender el tomacorriente desde otro tomacorriente en la cocina o puede tener su propio circuito del panel principal de servicio.

No se debe enchufar el cable del ventilador al receptáculo hasta el paso 8.

Paso 6: Montar el ventilador y la parrilla

- A. Sacar los filtros de grasa y cualquier material de empaque desde el interior de la toma de aire.
- B. Poner la toma de aire en la parte trasera de la abertura de la cubierta. Bajarla cuidadosamente a su posición de modo que las bridas de los lados traseros y los bordes soporten completamente la unidad que cuelga de la cubierta.
- C. Sostener la unidad contra la parte trasera de la abertura de la cubierta y deslizar las abrazaderas de las patas hacia abajo hasta tener contacto con el fondo del gabinete. Revisar si está nivelada y hacer ajustes si es necesario, luego fijar las abrazaderas de las patas al gabinete con los tornillos que se incluyen.

Nota: Marcar las casillas a medida que se completen las tareas.

Paso 7: Montar el ventilador integral o la transición del ducto de salida para el ventilador remoto o en línea

Ventilador integral (ver Figuras 9 y 11 para más detalles):

- A. Fijar el ventilador en el frente de la salida redonda de escape con 4-6 tornillos autorroscantes #8 (según la configuración).
- B. Pasar el cable **del ventilador** a través del prensacables.
- C. Fijar el prensacables con tornillos.
- D. Fijar el prensacables al tiro descendente cerca de la caja de conexiones.
- E. Conectar el cable al tiro descendente en el conector de 6 clavijas.
- F. Conectar el ventilador al ducto.
- G. Colocar la parrilla en la abertura de la cubierta con el borde trasero de la parrilla superpuesto al borde delantero de la ventilación. Asegurarse de que el borde trasero de la parrilla no toque el frente del tubo de respiración. Seguir las instrucciones de instalación del fabricante para instalar tiras de empaque, cinta de protección térmica (si es necesario), asegurar la parrilla a la cubierta y hacer las conexiones eléctricas y/o de gas de la parrilla.

Nota: Marcar las casillas a medida que se completen las tareas.

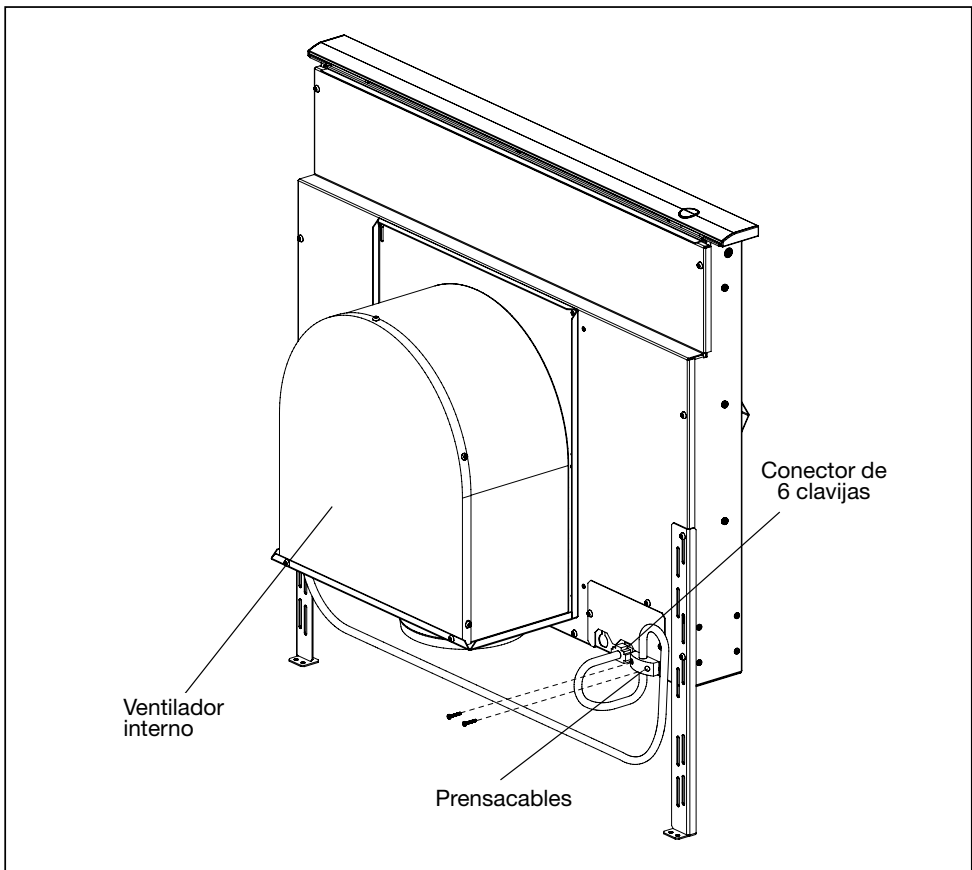


Fig. 9 – Ventilador interno

Ventilador remoto o en línea (ver Figuras 10 y 11 para más detalles):

- A. Quitar la tapa de la caja de conexiones y conectar el conducto con 5 cables del ventilador remoto. Conectar los cables según el diagrama de cableado, Fig. 10. Volver a colocar la tapa de la caja de conexiones.
- B. Fijar la transición del ducto en los orificios de montaje con tornillos autorroscantes.
- C. Pasar el cable flexible del ventilador remoto a través del prensacables.
- D. Fijar el prensacables al tiro descendente cerca de la caja de conexiones.
- E. Conectar el cable flexible al tiro descendente en el conector de 6 clavijas.
- F. Enrutar los hilos del cable flexible a la caja de conexiones.
- G. Conectar el conducto con cinco cables del ventilador remoto o en línea dentro de la caja de conexiones. Utilizar un conector para conducto para fijarlo.

Nota: Se pueden instalar el ventilador y la caja de transición del ducto con la salida del ducto a la izquierda, abajo o a la derecha. Instalar el ventilador o la transición del ducto de tal modo que se puedan quitar los paneles de acceso para realizar el servicio técnico.

- H. Colocar la parrilla en la abertura de la cubierta con el borde trasero de la parrilla superpuesto al borde delantero de la ventilación. Asegurarse de que el borde trasero de la parrilla no toque el frente del tubo de respiración. Seguir las instrucciones de instalación del fabricante para instalar tiras de empaque, cinta de protección térmica (si es necesario), asegurar la parrilla a la cubierta y hacer las conexiones eléctricas y/o de gas de la parrilla.

Nota: Marcar las casillas a medida que se completan las tareas.

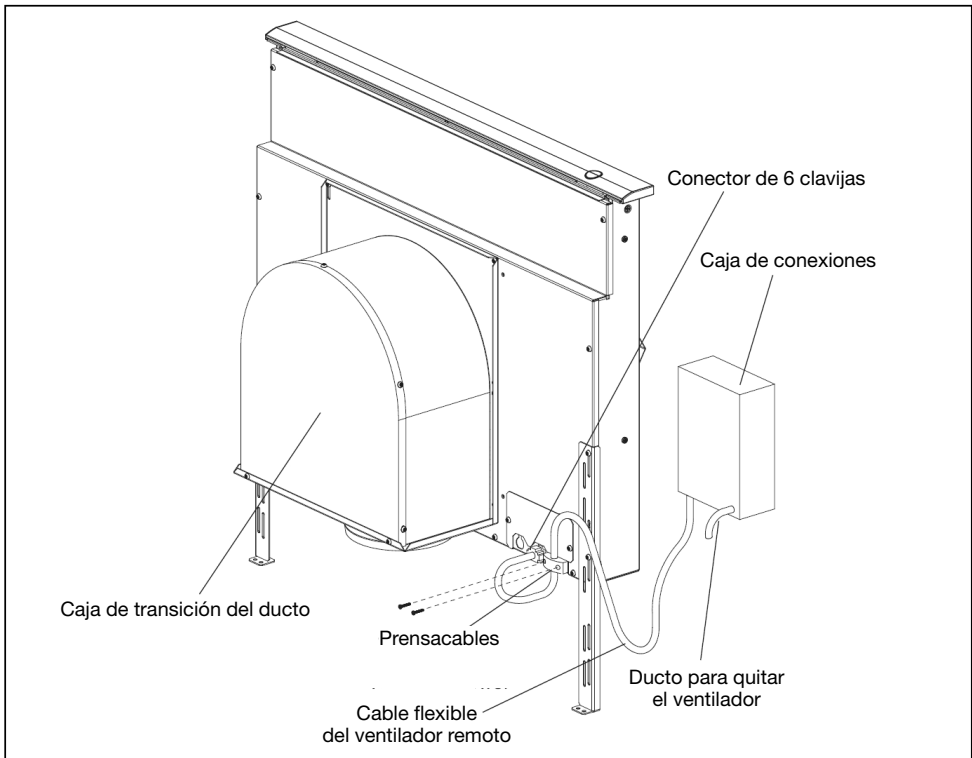
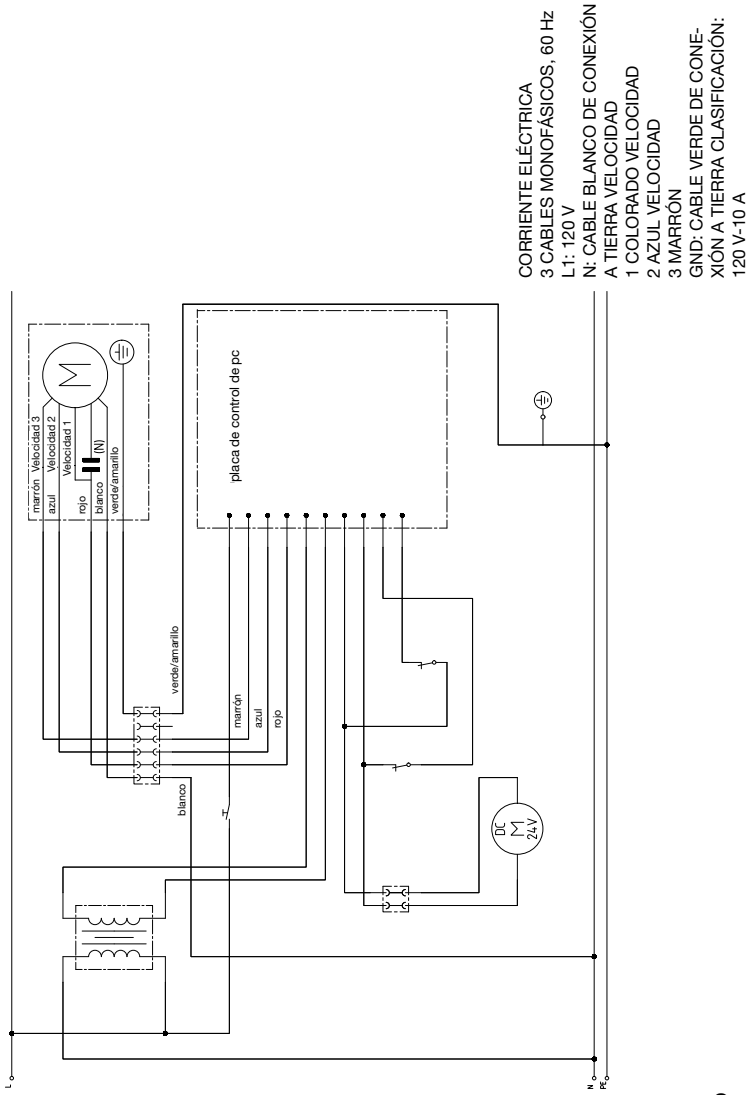


Fig. 10 – Ventilador remoto

Diagrama de cableado

ADVERTENCIA: SE DEBE DESCONECTAR LA CORRIENTE ELÉCTRICA ANTES DE REALIZAR EL SERVICIO TÉCNICO A ESTE APARATO



SE MUESTRA LA POSICIÓN DEL INTERRUPTOR CON EL TIRO DESCENDENTE EN POSICIÓN INFERIOR

ABREVIATURAS:

C = COMÚN

NO = NORMALMENTE

ABIERTO

NC = NORMALMENTE

CERRADO

Fig. 11

Paso 8: Verificar la instalación, operación y alineación de la parrilla

- Antes de realizar este procedimiento, se debe verificar que se hayan quitado todos los materiales de empaque del interior del tubo de respiración y que se hayan instalado correctamente los filtros de grasa y el panel delantero. Consultar el manual de uso y cuidado para las instrucciones con respecto a la instalación de los filtros y del panel delantero.
- Enchufar el cable de alimentación de la ventilación a un receptáculo eléctrico apropiado y asegurar que el circuito esté activado.
- A. Levantar el tubo de respiración a su máxima posición extendida presionando una vez el botón UP/DOWN (Arriba/Abajo). No se debe mantener pulsado el botón. El motor de elevación se detendrá cuando el tubo de respiración alcance su altura máxima. (Nota: el ventilador no va a funcionar, a menos que se eleve completamente el tubo de respiración).
- B. Quitar la cinta de protección de la tapa superior.
- C. Prender el ventilador seleccionando cada una de las 3 velocidades. Dejar que el ventilador funcione varios minutos a cada velocidad para evaluar su operación.
- D. Con el ventilador funcionando, bajar el tubo de respiración a su máxima posición retraída presionando una vez el botón UP/DOWN (Arriba/Abajo). El ventilador se apagará de inmediato.

- E. Con el ventilador en la posición HIGH (Alta), cerrar las ventanas y las puertas que comunican con el área para asegurar que el ventilador no cause ningún contratiempo en ninguna ventilación de salida para otro aparato.
- F. Volver a elevar y bajar la ventilación, y revisar que la tapa superior en el tubo de respiración no tenga contacto con el borde trasero de la parrilla cuando se baje. Si hay interferencia, ajustar la posición de la parrilla moviéndola contra el borde delantero de la cubierta. El hecho de no eliminar la interferencia puede causar daños permanentes a la ventilación. Además, asegurar que se hayan fijado correctamente las patas de soporte de la ventilación a la base del gabinete con los tornillos incluidos.



Si el sistema de ventilación no funciona satisfactoriamente durante cualquiera de los procedimientos anteriores, revisar todos los pasos de estas instrucciones de instalación para asegurar que no se haya omitido o pasado por alto algo. Además, se puede consultar el manual de uso y cuidado para mayor información o llamar al centro de soporte al cliente de Thermador marcando 1-800-735-4328.

Nota: Marcar las casillas a medida que se completen las tareas.

Notes

Remarques

Notas

Thermador[®] | *An American Icon*[®]

1 800 735 4328

WWW.THERMADOR.COM

5551 MCFADDEN AVENUE | HUNTINGTON BEACH, CA 92649

©2008 BSH HOME APPLIANCES CORPORATION, ALL RIGHTS RESERVED.

#6508-0024 LITHO DATE: 6/08

9000 445 342
Printed in Germany 0309 Es.