

Masterpiece® Series

36" Downdraft

UCVM36FS



UCVM36FS Stainless steel

Performance

- 3 fan speeds
- Filter systems are highly efficient at capturing grease
- Powerfully quiet ventilation systems

Design

- Suitable for wall or island applications
- Brushed stainless steel finish
- Easy to operate control buttons

Capacity

- Downdraft rises over 13" to capture steam from the tallest pots
- 600 CFM Integrated Blower option VTN600CV2C
- Inline Blowers: VT1610D (600 CFM) or VT11010D (1000 CFM)
- Remote Blowers: VTR630D (600CFM), VTR1030D (1000CFM)
- Requires Transition CV2T6 for Remote and Inline Blowers
- Remote Blower requires Roof Plate RFPLT600 for roof installations (600 CFM)
- Remote Blowers require Roof Plate RFPLT1000 for roof installations (1000/1300 CFM)
- Downdraft recirculation possible with module RECIRC36DF
- Replacement charcoal filters available (CHFILT3036)

Convenience

- Dishwasher safe full-face filters also act as a splatter shield
- Blowers sold separately
- Choose from Inline, Remote or Integrated Blowers

Optional accessories

RECIRC36DF Downdraft Recirculation Module

RFPLT1000 Roof mounting plate for VTR1030D

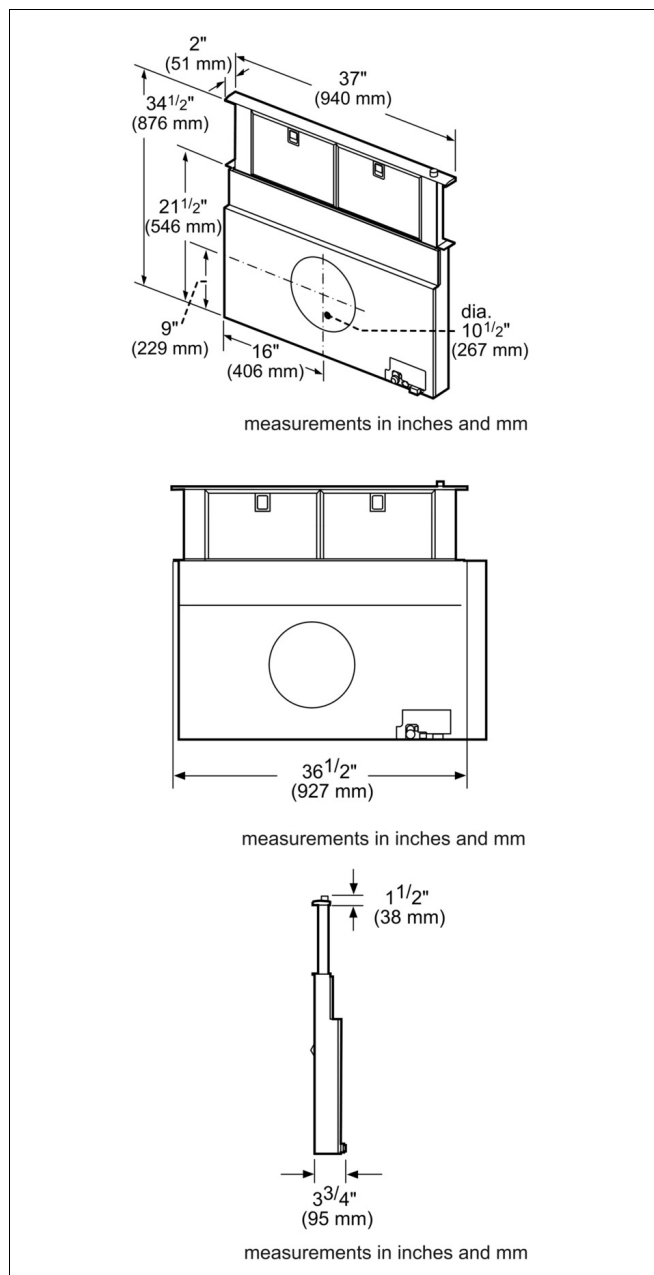
RFPLT600 Roof mounting plate for VTR630D

825225865766

Masterpiece® Series

36" Downdraft

UCVM36FS



Product Features

Operating Mode: Convertable: Ducted / Recirculating
 Number of speed settings: 3-stage
 Required accessories: Blower
 Optional accessories: RECIRC36DF, RFPLT1000, RFPLT600
 Grease filter material: aluminium
 Grease filter type: Multilayer cassette

Consumption and connection features

UPC code: 825225865766
 Material: Stainless steel
 Watts (W):
 Current (A): 10
 Volts (V): 120
 Frequency (Hz): 60
 Approval certificates: CSA, UL
 Power cord length (in):
 Power cord length (cm): 150.0
 Plug type: 120V-3 prong
 Overall appliance dimensions (HxWxD) (in): 34 1/2" / 34 1/2" x 36 1/2" x 3 3/4"
 Overall appliance dimensions (HxWxD) (mm): 876 MM x 940 x 95
 Product packaging dimensions (HxWxD) (in): 7.48 x 37.40 x 26.77
 Adjustable feet:
 Height of the chimney (in):
 Height of the chimney (mm):
 Vertical rise height: 13"
 Required distance above cooktop/ranges:
 Net weight (lbs): 42
 Net weight (kg): 19.000
 Gross weight (lbs): 47
 Gross weight (kg): 21.000
 Motor location:
 Maximum CFM:
 Diameter of air duct (in) top:
 Diameter of air duct (in) back: 10
 Discharge direction:
 No-return airflow flap: No

2013-07-12