

30" Masterpiece Series Custom Insert VCI230DS



VCI230DS Stainless steel

Performance

- Three fan speeds
- Filter systems are highly efficient at capturing grease
- Powerfully quiet ventilation systems
- Deep capture area allows for efficient capture of smoke and steam

Design

- Suitable for wall or island applications
- Stainless steel button controls
- 10" Round duct size
- Vertical ducting direction
- Halogen lighting spotlights your best recipes
- Dishwasher safe aluminum mesh filters
- Delayed shut off tackles lingering odors for up to 10 minutes
- Blowers sold separately
- Choose from Inline, Remote or Integrated Blowers
- Accessories include: Liner, Remote Control and Stainless Steel Baffle Filters
- Built-in 'Clean Filter' reminder light illuminates after 40 hours of operation

Optional accessories

LINER30 Custom Liner 30"

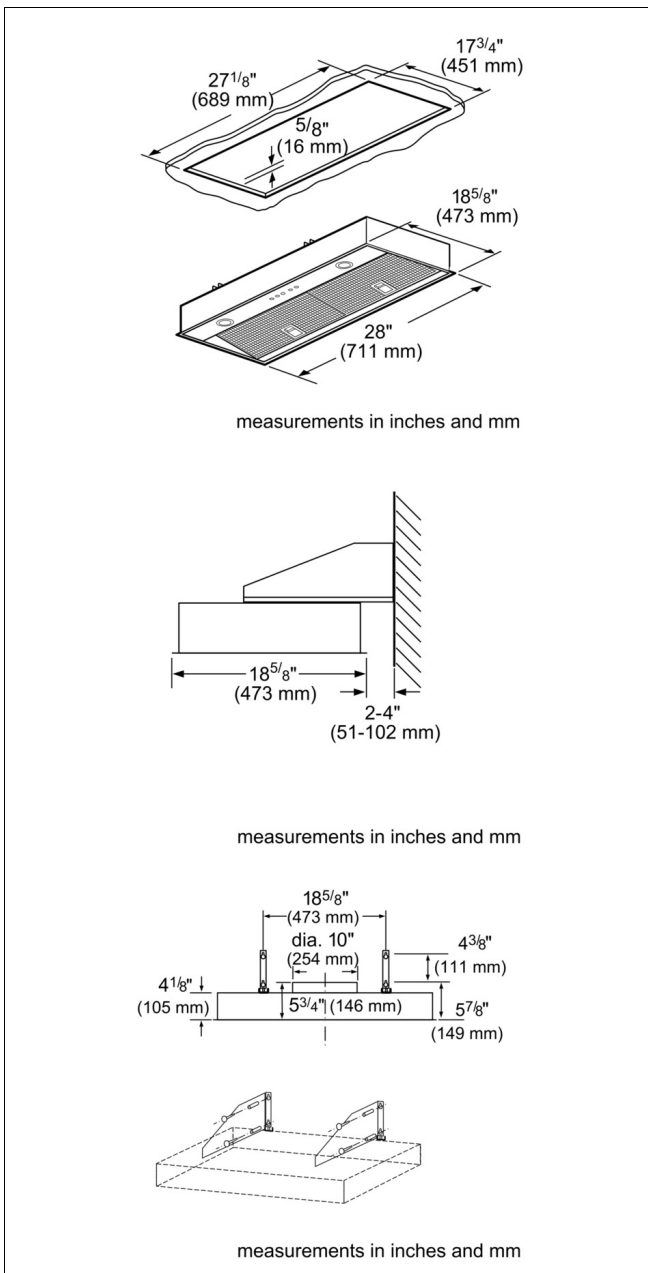
RFPLT1000 Roof mounting plate for VTR1030D

RFPLT600 Roof mounting plate for VTR630D

VCI2REMFSS Remote Control for Custom Insert Hoods

825225850526

30" Masterpiece Series Custom Insert VCI230DS



Product Features

Operating Mode: Ducted
 Number of speed settings: 3-stage
 Delay Shut off modes: 10
 Optional accessories: BAFFLT30, LINER30, RFPLT1000, RFPLT600, VCI2REMFS
 Number of lights: 2
 Type of lamps used: Halogen
 Total power of the lamps (W): 40
 Grease filter material: aluminium
 Grease filter type: Multilayer cassette
 Clean filter reminders: Electronic

Consumption and connection features

UPC code: 825225850526
 Material: Stainless steel
 Watts (W): 40
 Current (A):
 Volts (V): 120
 Frequency (Hz): 60
 Approval certificates: ETL, UL
 Power cord length (in): 51 1/8 "
 Power cord length (cm): 150.0
 Plug type: 120V-3 prong
 Overall appliance dimensions (HxWxD) (in): 5 3/4" / 5 3/4" x 28" x 18 5/8"
 Overall appliance dimensions (HxWxD) (mm): 145 MM x 710 x 471
 Product packaging dimensions (HxWxD) (in): 9.44 x 29.92 x 20.47
 Adjustable feet:
 Height of the chimney (in):
 Height of the chimney (mm):
 Vertical rise height:
 Required distance above cooktop/ranges: 30"/30"
 Net weight (lbs): 24
 Net weight (kg): 11.000
 Gross weight (lbs): 27
 Gross weight (kg): 12.000
 Motor location:
 Maximum CFM:
 Diameter of air duct (in) top: 10
 Diameter of air duct (in) back:
 Discharge direction: vertical
 No-return airflow flap: No

2013-07-12