

VCIB48JP

48-INCH CUSTOM INSERT WITH BLOWER

PROFESSIONAL SERIES



FEATURES & BENEFITS

- A unique all in one box solution that includes the hood, a 1,000 CFM blower, liner, baffle filters, lights, transition and a back-draft damper
- Suitable for wall or island applications
- Three fan speeds with a delayed shut-off that tackles lingering odors for up to 10 minutes
- Auto function senses heat from the cooking surface and adjusts fan speeds
- Built-in 'clean filter' reminder light illuminates after 40 hours of operation

ACCESSORIES (OPTIONAL)

Remote Control Panel	VC12REMKS
48" Wide Stainless Steel Backsplash	PA48JBS



Remote Control Panel

GENERAL PROPERTIES

Operating Mode	Ducted
Number of Speed Settings	3-Stage
Motor Location	Integrated Motor In Hood Body
Number of Lights	4
Bulb Type	Halogen
Total Power of the Lamps (W)	40 W
Damper Included	Yes
Grease Filter Material	Washable Stainless Steel
Grease Filter Type	Stainless-Steel Commercial Style Baffle Filter

TECHNICAL DETAILS

Watts (W)	1,020 W
Current (A)	15 A
Volts (V)	120 V
Frequency (Hz)	60 Hz
Plug Type	Fixed Connection
Power Cord / Conduit Length (in)	Direct Wire at Junction Box

DIMENSIONS & WEIGHT

Overall Appliance Dimensions (Width of Canopy Included) (HxWxD) (in)	14 5/16" x 52 1/2" x 24 3/4"
Required Distance Above Cooktop/Range Cooking Surface	30" Electric / 30" Gas
Diameter of Air Duct (in.) Top	10"
Net Weight (lbs)	99 lbs

BLOWER OPTIONS

Remote Blowers (Mounted to Roof or External Wall)	N/A
	N/A
	N/A
Inline Blowers (Mounted Between Kitchen and External Wall)	N/A
	N/A
Integrated Blower (Mounted in Hood)	N/A

WARRANTY

Limited Warranty Parts and Labor	2 Year
----------------------------------	--------

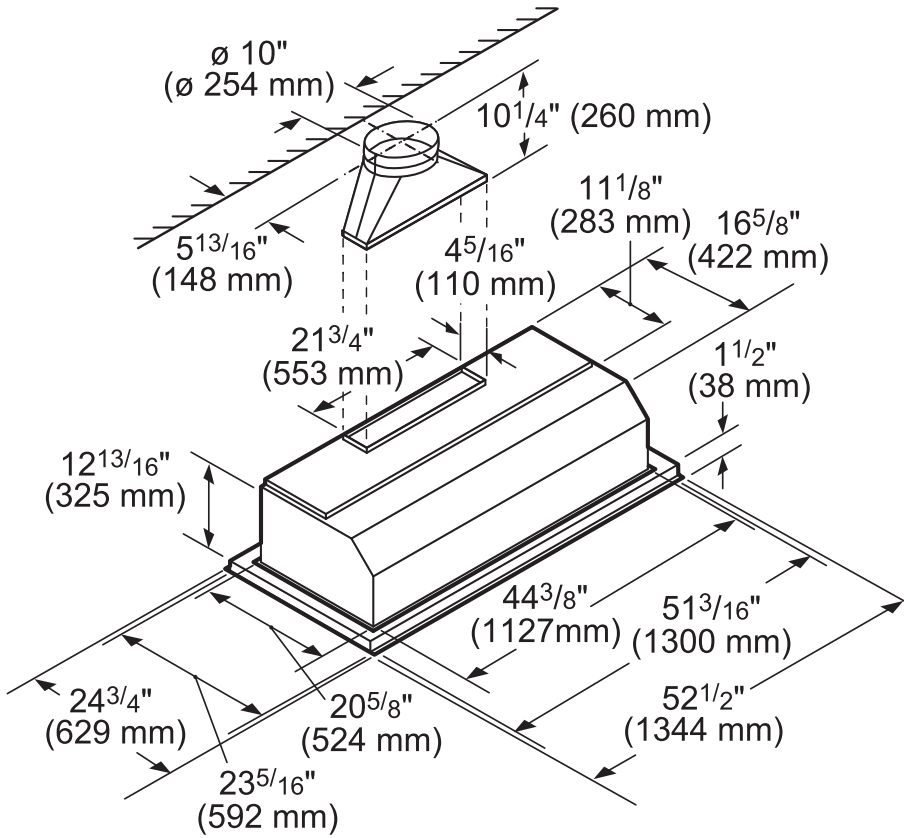
VCIB48JP

48-INCH CUSTOM INSERT WITH BLOWER

PROFESSIONAL SERIES



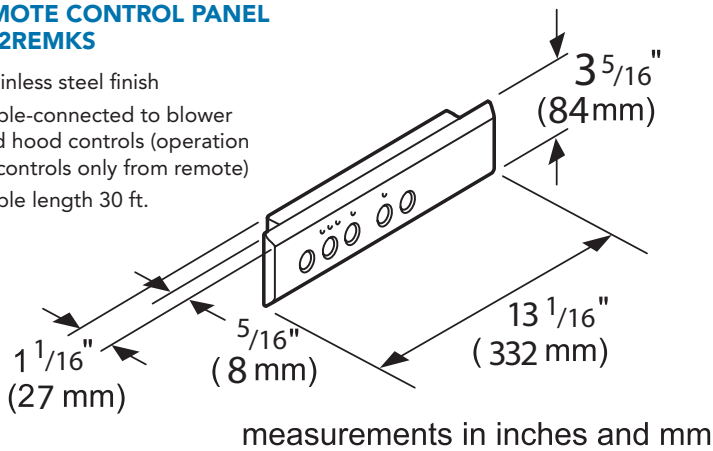
HOOD DIMENSIONS



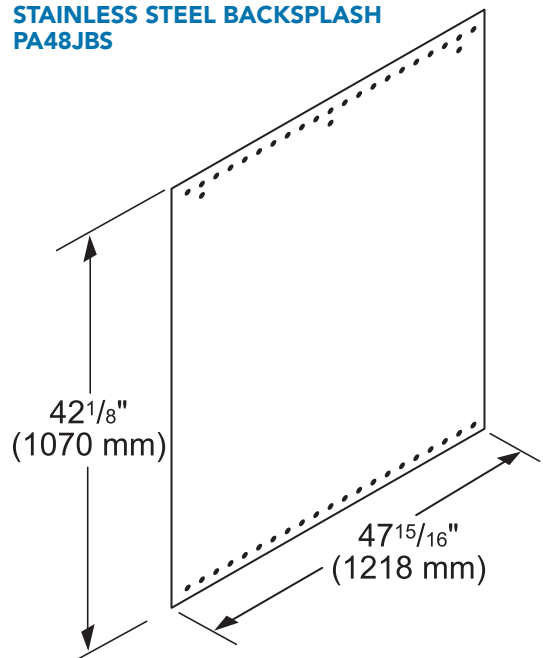
OPTIONAL ACCESSORIES

REMOTE CONTROL PANEL VC12REMK5

- Stainless steel finish
- Cable-connected to blower and hood controls (operation of controls only from remote)
- Cable length 30 ft.



STAINLESS STEEL BACKSPASH PA48JBS



VCIB48JP

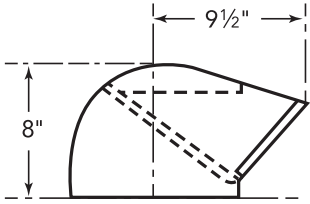
48-INCH CUSTOM INSERT WITH BLOWER

PROFESSIONAL SERIES

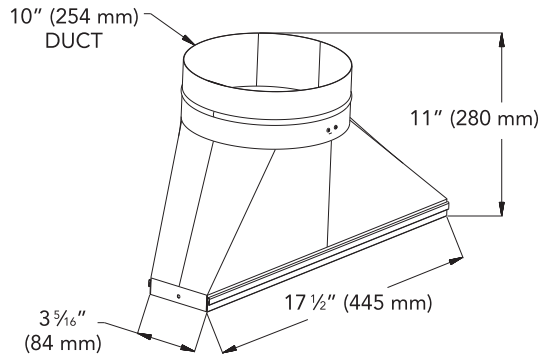


ROOF JACK & TRANSITION

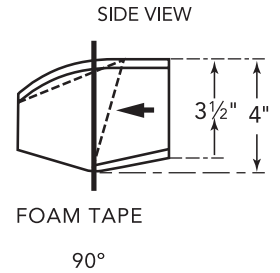
ROOF JACK-RJ310



TRANSITION

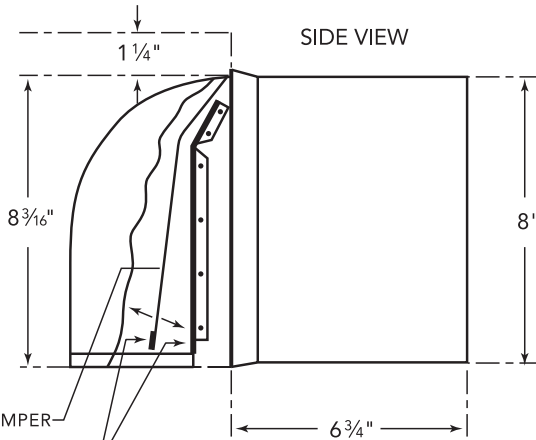


WALL CAP-WC310



WALL CAPS

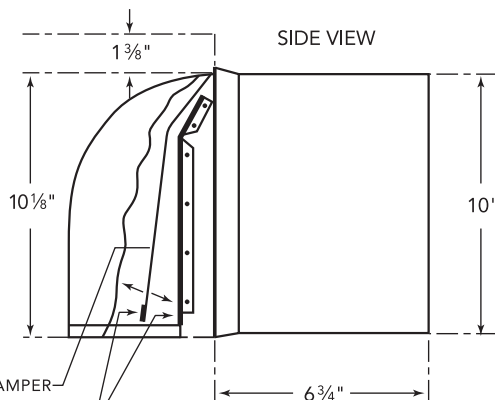
8-INCH WALL CAP-WC8



1/4" THICK ALUMINUM DAMPER

1/8" x 1/2" FOAM GASKET

10-INCH WALL CAP-WC10



1/4" THICK ALUMINUM DAMPER

1/8" x 1/2" FOAM GASKET

These warranties give you specific legal rights and you may have other rights that vary from state to state. Full warranty and limited warranty from date of installation. For complete warranty details, refer to your Use & Care manual, or ask your dealer.

Specifications are for planning purposes only. Refer to installation instructions and consult your countertop supplier prior to making counter opening. Consult with a heating and ventilation engineer for your specific ventilation requirements. For the most detailed information, refer to installation instructions accompanying product or write to Thermador indicating the model number. Specifications are correct at time of printing. Thermador reserves the right to change product specifications or design without notice. Some models are certified for use in Canada. Thermador is not responsible for products that are transported from the U.S. for use in Canada.