

1000 CFM Integral Blower VTN1000F

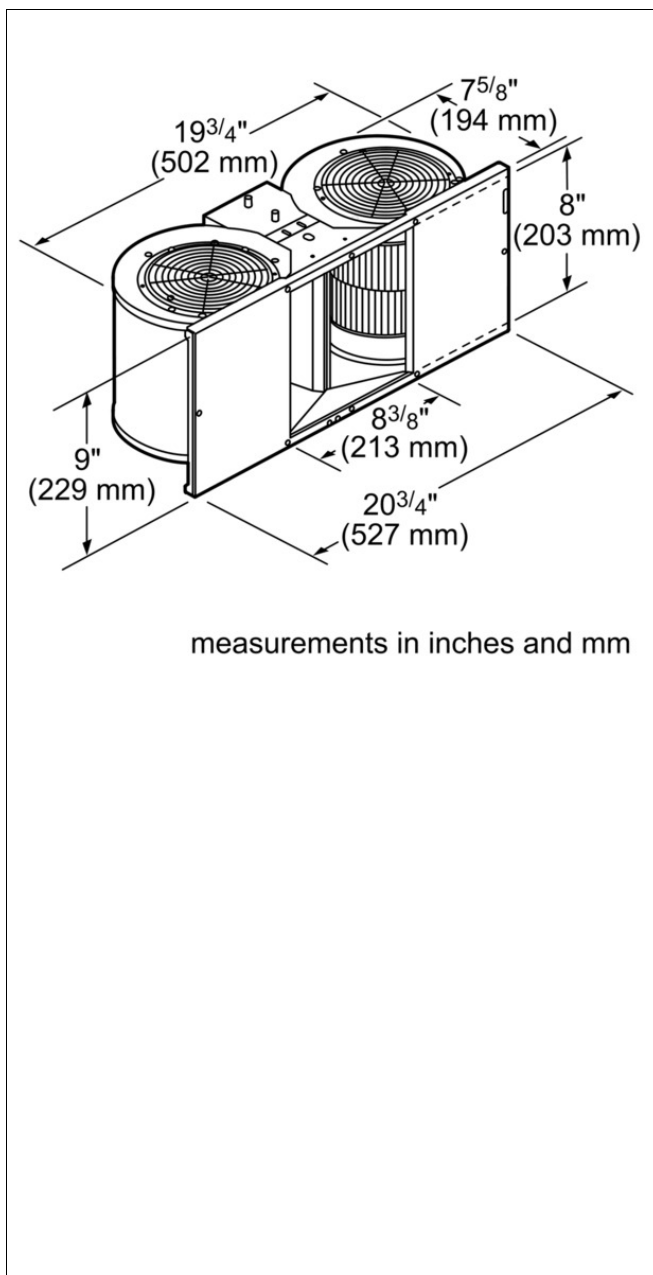


VTN1000F

- Integrated blower can be purchased separately and installed within the hood
- Cable connected to blower and hood controls with a length of 30 ft.

825225867234

1000 CFM Integral Blower VTN1000F



Product Features

Operating Mode: Ducted

Consumption and connection features

UPC code: 825225867234

Material: zinc plated

Watts (W): 840

Current (A):

Volts (V): 120

Frequency (Hz): 60

Approval certificates: CSA, UL

Power cord length (in):

Power cord length (cm): 150.0

Plug type: 120V-3 prong

Overall appliance dimensions (HxWxD) (in): 9" / x 20 3/4" x 7 5/8"

Overall appliance dimensions (HxWxD) (mm): 0 MM x 0 x 0

Product packaging dimensions (HxWxD) (in): 17.71 x 23.62 x 26.77

Adjustable feet:

Height of the chimney (in):

Height of the chimney (mm):

Vertical rise height:

Required distance above cooktop/ranges:

Net weight (lbs): 37

Net weight (kg): 17.000

Gross weight (lbs): 41

Gross weight (kg): 18.000

Motor location:

Maximum CFM: 1000

Diameter of air duct (in) top: 8

Diameter of air duct (in) back:

Discharge direction:

No-return airflow flap: No

2013-07-12