

# 600 CFM Downdraft Integral Blower VTN600CV2C

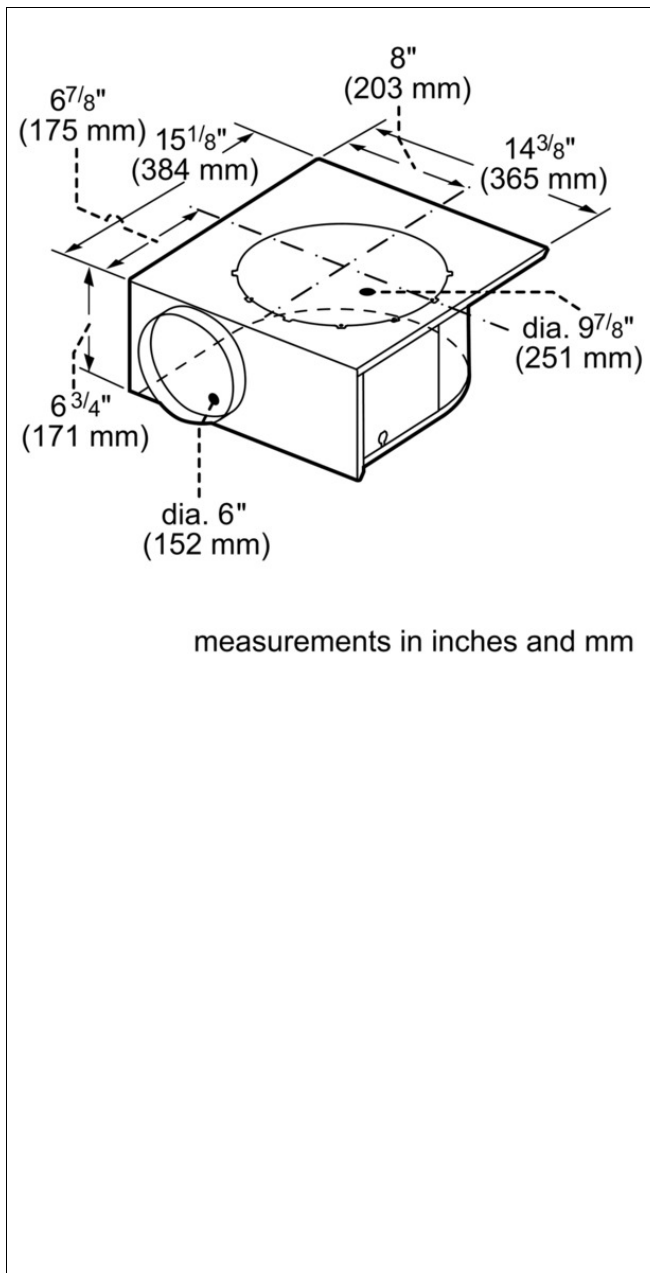


## **VTN600CV2C ivory**

- Internal Blowers are installed under the countertop with the downdraft
- Cable connected to blower and hood controls with a length of 30 ft.

825225837725

# 600 CFM Downdraft Integral Blower VTN600CV2C



## Product Features

Operating Mode: Ducted

## Consumption and connection features

UPC code: 825225837725

Material: Lacquered

Watts (W): 530

Current (A):

Volts (V): 120

Frequency (Hz): 60

Approval certificates: CSA, UL

Power cord length (in):

Power cord length (cm): 150.0

Plug type: 120V-3 prong

Overall appliance dimensions (HxWxD) (in): 15 1/8 " / x 14 3/8 " x 6 3/4 "

Overall appliance dimensions (HxWxD) (mm): 384 MM x 365 x 170

Product packaging dimensions (HxWxD) (in): 8.66 x 17.32 x 16.53

Adjustable feet:

Height of the chimney (in):

Height of the chimney (mm):

Vertical rise height:

Required distance above cooktop/ranges:

Net weight (lbs): 10

Net weight (kg): 5.000

Gross weight (lbs): 18

Gross weight (kg): 8.000

Motor location:

Maximum CFM: 600

Diameter of air duct (in) top:

Diameter of air duct (in) back:

Discharge direction: vertical

No-return airflow flap: No

2013-07-12