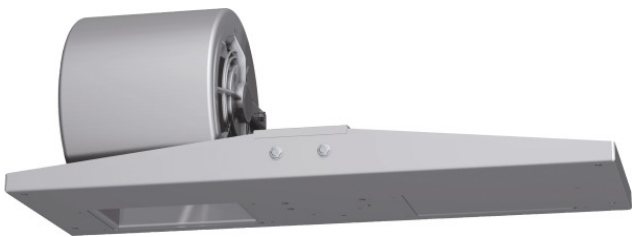




VTN630N
600 CFM Internal Blower



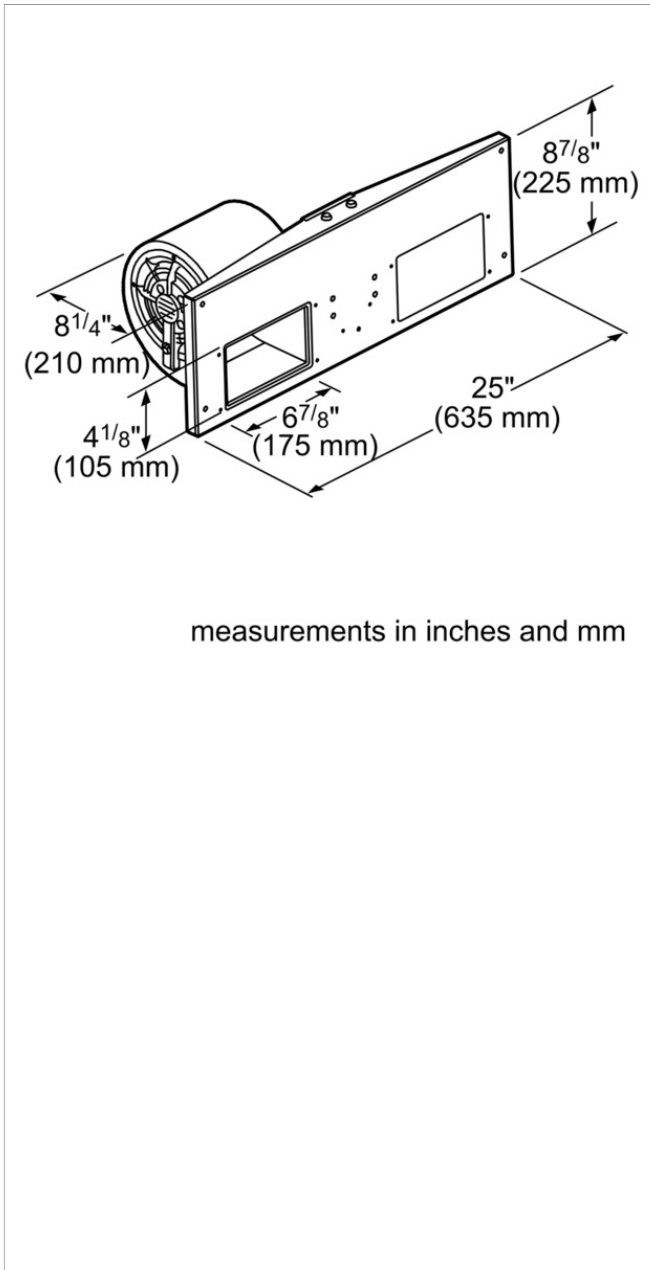
VTN630N

- Internal blower mounted within hood.
- Used with PH Wall Hoods and Pro Custom Inserts

825225912736

VTN630N

600 CFM Internal Blower



Product Features

Operating Mode: Ducted

Consumption and connection features

UPC code: 825225912736

Material: Stainless steel

Watts (W): 320

Current (A):

Volts (V): 120

Frequency (Hz): 50; 60

Approval certificates: CSA, UL

Power cord length (in):

Power cord length (cm): 150

Plug type: 120V-3 prong

Overall appliance dimensions (HxWxD) (in): 8 1/4" / x 25" x 8 3/4"

Overall appliance dimensions (HxWxD) (mm): 210 MM x 760 x 222

Product packaging dimensions (HxWxD) (in): 11.02 x 26.37 x 12.99

Adjustable feet:

Height of the chimney (in):

Height of the chimney (mm):

Vertical rise height:

Required distance above cooktop/ranges:

Net weight (lbs): 13

Net weight (kg): 6.0

Gross weight (lbs): 16

Gross weight (kg): 7.0

Motor location: N/A

Maximum CFM: 600

Diameter of air duct (in) top: 10

Diameter of air duct (in) back:

Discharge direction: vertical

No-return airflow flap: No

2015-02-26