



### **Innovation**

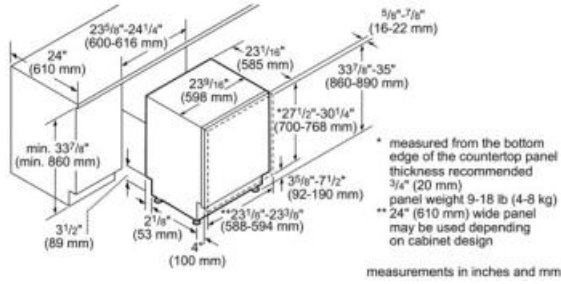
- Blue PowerBeam® operating indicator lets you know when the unit is running
- Dosage Assist optimizes break down of detergent tablets

### **Performance**

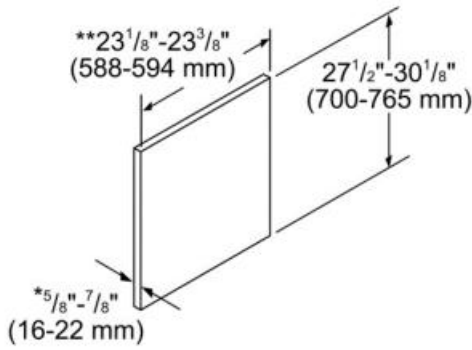
- PowerBoost® option increases temperature and pressure in the lower rack for the ultimate in heavy-duty cleaning
- Sens-A-Wash® ensures superior washing and drying guaranteed
- Accommodates 15 plate settings for your dinner parties
- Extra Dry option ensures perfectly dry dishes
- Powerfully Quiet® - 48 dBA for peaceful kitchen experience
- ENERGY STAR® Qualified - uses only 279kWh/Yr
- Three stage advanced filtration recirculates water for sparkling results
- Extra-Tall-Item™ Sprinkler allows large items (22" high) to be washed

### **Design**

- Accepts custom panel with flush installation to match kitchen cabinetry
- Stainless Steel Control Panel
- Sleek charcoal-grey racks with height-adjustment ability for added flexibility
- Blue LED Display
- 18/10 high-grade stainless steel interior offers long-lasting reliability, never rusts and resists nicks and chips

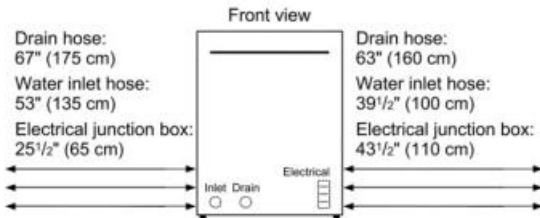


measurements in inches and mm



- \* thickness recommended 3/4" (20 mm), panel weight 9-18 lb (4-8 kg)
- \*\* 24" (610 mm) wide panel may be used depending on cabinet design

measurements in inches and mm



All connections at the rear of the appliance.  
 Extensions for drain hose available as accessory.  
 Electrical cable for outlet connection (3 pin plug) available as accessory.

Amps (A)	12
Frequency (Hz)	60
Approval certificates	CUL, UL
Plug type	Fixed connection
Net weight (lbs)	83
Gross weight (lbs)	92
Length outlet hose (in)	67 "
Length inlet hose (in)	53"
Tube material	Stainless steel
Tube type	TallTub
Optional accessories	DWHDZJCMD, DWHDZJCPD, SGZ1010UC, SMZ5002UC, SMZPC002UC
Number of options	4
Start delay time max (h)	24
Concealed heating element	Yes
Five-level wash	Yes
Display	Yes
Status indicator	End of program audible, Inflight blue, sanitized LED US, Time remaining indic. internal
Sanitized indicator light	Yes
Load sensor	Yes
Variable spray pressure	Yes
3rd Rack	no
Silverware basket	Standard