



DISHWASHER COLLECTION

Real cooks need dish care solutions that give them the flexibility to entertain without restrictions — that complement their passion for the food experience. The Thermador Collection of dishwashers delivers luxury performance with absolutely unparalleled flexibility. Our innovations enhance the experience of entertaining, ideal for the frequent host. Flexible racking and storage options mean that no other dishwasher can accommodate the range of jobs that Thermador can: from large pots and pans to bulky cooking utensils to fine stemware. And with the fastest full wash in the industry, a Thermador Dishwasher means that the evening never has to stop for lack of a serving plate or wine glass.

DISHWASHERS

FEATURES & BENEFITS



★ STAR SPEED®

A full wash cycle in just 20 minutes—the fastest in the industry. That's Star Speed®, which takes advantage of innovative water-preheating to give cooks the freedom to entertain more efficiently, and enjoyably. A record-setting full wash speed means the ability to make use of prep dishes, utensils, plates, and fine stemware multiple times over the course of an evening or daytime get-together.

★ SMOOTH GLIDE RACKS

Sleek charcoal-grey racks are engineered to glide effortlessly without jarring or sticking, delivering a more pleasing loading and unloading experience.



TIME REMAINING POWERBEAM®

Our Star-Sapphire dishwashers offer a convenient Time Remaining PowerBeam Light that projects cycle status and time remaining on the kitchen floor (Topaz® and Sapphire® and Emerald® models have a blue PowerBeam Light to let you know the unit is running).

POWERBOOST®

The ultimate in versatile washing performance, PowerBoost delivers thorough cleaning for pots and pans as well as mixed loads. Combining powerful water pressure and extra washing sequences with increased heat, PowerBoost returns well-used utensils and dishware to pristine condition while taking care with delicates in the same load.

CHEF'S TOOL DRAWER®

A real cook's work is never done, but an upgraded tool drawer makes cleanup much easier. With a design that accommodates oversized and wide-handled tools, loading and unloading become seamless and cleaning more thorough (for Topaz® and Sapphire® models).

CRYSTAL PROTECT® SYSTEM

Adjusts the water softness during the cycle for perfectly clear crystal, free of water spots.

HAND WASH CYCLE

Excellent cycle for delicate or lightly soiled dishes, Hand Wash delivers superior cleaning results and water efficiency.

EXTRA-TALL-ITEM SPRINKLER

Sprinkler delivers powerful spray stream to ensure large items can be cleaned—without removing the Chef's Tool Drawer® or Flexible 3rd Rack. Cleans items up to 22 inches tall, such as platters and baking sheets, eliminating the need to hand wash.

★ THERMADOR EXCLUSIVE



★ SAPPHIRE GLOW®

Bring the results of a perfect wash to light with sparkling blue light that illuminates when the dishwasher is opened, giving just-cleaned stemware and dishes a luxurious glow.



★ LARGEST WINE GLASS CAPACITY

Accommodates up to 18 large wine glasses into the top and bottom rack, more than any competing dishwasher.



FLEXIBLE FOLDING TINES

Another feature that makes Thermador Dishwashers the most versatile on the market, Flexible Folding Tines fold down to accommodate larger pots, pans, and dishes. That means the capacity to hold items twice as wide as previous models, and significantly wider than competitors.



FLEXIBLE 3RD RACK

Real cooks need serious loading capacity for their range of small and large utensils. The Flexible 3rd Rack delivers not only added loading capacity, but adjustability to accommodate larger or smaller items, wider ends, and utensil handles.



FINE SILVERWARE CARAFE

The aluminum construction of our Fine Silverware Carafe accessory (sold separately) protects valuable sterling silver flatware from damaging oxidation so it can be safely washed in the dishwasher.

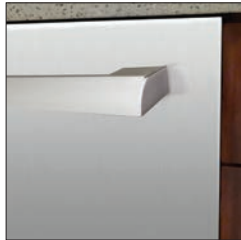
DISHWASHERS FEATURES & BENEFITS

DESIGN VERSATILITY — ONLY FROM THERMADOR

Thermador's ingenious Dishwasher Collection lets you take kitchen design to a higher level. The possibilities are endless with four distinct series to choose from, each with five unique design options to perfectly complement your kitchen design.



Flat Stainless Steel Panel with Professional Handle



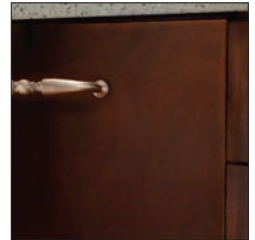
Flat Stainless Steel Panel with Masterpiece® Handle



Chiseled Stainless Steel Panel with Professional Handle*



Chiseled Stainless Steel Panel with Masterpiece® Handle*



Custom Panel to Match Your Cabinetry

*Available as an accessory

FULLY FLUSH CUSTOM PANEL DISHWASHERS

MAKE YOUR DISHWASHER DISAPPEAR

Match your kitchen's custom cabinetry to our dishwasher for complete integration.

FULLY FLUSH DESIGN

Thermador custom panel dishwashers are the only dishwashers available that install fully flush for a seamless, integrated look.

THE BEST PERFORMANCE

Thermador's dishwasher collection is the most feature-rich, powerful and best-performing line on the market.

INSTALLATION MADE EFFORTLESS

Everything needed to install your custom panel comes in the box.

PROTECTING YOUR FINE WOOD CABINETS

Thermador's unique condensation drying eliminates the risk of steam damage over time to custom panel wood cabinetry and countertops. The closed system heats dishes with hot water from the final rinse.



DISHWASHERS

PLANNING INFORMATION

FULLY FLUSH CUSTOM PANEL DISHWASHERS

FULLY FLUSH LOOK

Thermador custom panel dishwashers are the only dishwashers available that install fully flush for a seamless, integrated look.

DEPTH BY BRAND*	
21 5/8"	Thermador
22 7/16"	Miele
22 7/8"	Asko
22 7/8"	Dacor
23 7/8"	Viking
24 1/2"	Jenn-Air
24 3/4"	GE Monogram

WHAT TO CONSIDER WHEN INSTALLING A CUSTOM PANEL DISHWASHER

Thermador Dishwashers are designed to offer the ultimate in design flexibility and the ability to be installed in a variety of configurations.

DWHD440MPR

- Minimum opening height: 33 7/8" (860 mm)
- Minimum opening width: 24" (610 mm) or 23 5/8" (600 mm) wide with decor strips removed

DWHD640JPR AND DWHD650JPR

- Minimum opening height: 34 1/16" (865 mm)
- Minimum opening width: 24" (610 mm) or 23 5/8" (600 mm) wide with decor strips removed

DWHD651JPR

- Minimum opening height: 34 1/8" (867 mm)
- Minimum opening width: 24" (610 mm) or 23 5/8" (600 mm) wide with decor strips removed

*Installation dimensions considering 3/4" custom door panel. Information from retailers website as of January 2011.

MODEL OPTIONS

There are four Thermador Dishwasher Series to choose from in the Collection—Emerald® (4-program), Topaz® (6-program), Sapphire® (6-program) and Star-Sapphire™ (6-program). All series models are available with a Masterpiece® or Professional Handle to perfectly match other Thermador appliances in your kitchen. All series have a custom panel option to fully integrate with your cabinetry. Be sure to reference the correct model information in this design guide.

INSTALLATION CONSIDERATIONS

The information in this design guide provides key features, product dimensions, cutouts and installation specifications. Before installing a Thermador Dishwasher, be sure to verify the cabinet dimensions, electrical connections and water connections. Also, always consult with the installation manual packed with the product for complete details before installing.

Thermador Dishwashers are designed to be enclosed on the top and both sides by standard residential kitchen cabinetry.

For Emerald the opening should be at least 34" high and 24" wide (or 23 5/8" wide with decor strips removed).

For Topaz®, Sapphire and Star-Sapphire the opening should be at least 34 1/16" high and 24" wide. (or 23 5/8" wide with decor strips removed).

If the dishwasher is to be installed in a corner, make sure that there is adequate clearance to open the door.

Select a location as close to the sink as possible for easy access to water supply and drain lines.

NOTE: Plumbing installations will vary—refer to local codes. The maximum length of the drain hose, including hose leading to air gap (if any) is 150" (381 cm). Ensure a portion of the drain hose is raised at least 20" (51 cm) above the floor to ensure proper draining.



WARRANTY

Full warranty, entire appliance, parts and labor (2 year)

See page 310 for additional warranty details.



Dishwashers are UL and CUL approved.

ELECTRICAL SPECIFICATIONS

This appliance must be grounded to a metal, permanent wiring system, or an equipment grounding conductor must be run with the circuit conductors and connected to the equipment grounding terminal or lead on the dishwasher.

MODEL	REQUIRED CIRCUIT BREAKER
EMERALD®	
DWHD440MFP	120V, 60 Hz, 12 Amp
DWHD440MFM	120V, 60 Hz, 12 Amp
DWHD440MPR	120V, 60 Hz, 12 Amp
TOPAZ®	
DWHD640JFP	120V, 60 Hz, 12 Amp
DWHD640JFM	120V, 60 Hz, 12 Amp
DWHD640JPR	120V, 60 Hz, 12 Amp
SAPPHIRE®	
DWHD650JFP	120V, 60 Hz, 12 Amp
DWHD650JFM	120V, 60 Hz, 12 Amp
DWHD650JPR	120V, 60 Hz, 12 Amp
STAR-SAPPHIRE™	
DWHD651JFP	120V, 60 Hz, 12 Amp
DWHD651JFM	120V, 60 Hz, 12 Amp
DWHD651JPR	120V, 60 Hz, 12 Amp

WATER AND ELECTRICAL LOCATIONS

Refer to individual model pages for details on water hook-up and electrical locations.



All Thermador Dishwashers are ENERGY STAR® Qualified

DISHWASHERS EMERALD® 4-PROGRAM

DWHD440MFP / DWHD440MFM / DWHD440MPR



PROFESSIONAL HANDLE

DWHD440MFP

MASTERPIECE® HANDLE

DWHD440MFM

CUSTOM PANEL

DWHD440MPR



SPECIFICATIONS

Product Width	23 9/16"
Product Height	33 7/8" – 35 1/16"
Product Depth	DWHD440MFP – 22 9/16" – 23 3/4" DWHD440MFM – 22 9/16" – 23 3/4" DWHD440MPR – 21 11/16" – 23 1/16"
Door Clearance	27"
Cutout Width (Min.)	24" – 24 1/4"
Cutout Height (Min.)	34"
Cutout Depth (Min.)	24"
Variable Height	1 1/8"
Sound Rating	48 dBA
Annual Energy Consumption	279 kWh
Electrical Supply	120V/60 Hz
Required Circuit Breaker	12 Amp
Power Cord	Purchase Separately
Water Hose	Purchase Separately
Max. Temp. for Water Intake	120° F
Length Outlet Hose	150"
Shipping Weight (lbs.)	125



Contributes .5 points toward satisfying the high-efficiency appliances credit under LEED®

ACCESSORIES

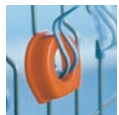


SGZ1052UC
Accessory Kit
Extra-tall-item
Sprinkler, Vase / Bottle
Holder, 3 Plastic Item
Clips and Small Item
Basket



SMZ5002UC
Fine Silverware Carafe

DWHDZJCMD
24" Stainless Steel Chiseled Door
with Masterpiece® Handle



SGZ1010UC
Drainage Hose Extension

DWHDZJCPD
24" Stainless Steel Chiseled Door
with Professional Handle

SGZPC001UC
Power Cord with Connectors*

SMZPC002UC
Dishwasher 3-Prong Power Cord Kit
(rear connection) 66 7/8"

DWHD440MFP / DWHD440MFM / DWHD440MPR

PERFORMANCE

- Superior Washing and Drying Guaranteed
- Sens-A-Wash® measures water cleanliness and adjusts wash cycle
- Three stage advanced filtration recirculates water for sparkling results
- Accommodates 15 plate settings for your dinner parties
- Extra Dry Option ensures perfectly dry dishes and sanitizes 99.9% of bacteria
- Impressively Quiet® – 48 dBA for peaceful kitchen experience
- ENERGY STAR® Qualified – uses only 279 kWh/year

DESIGN

- 4-program stainless steel dishwasher with Masterpiece® Handle (DWHD440MFM), Professional Handle (DWHD440MFP) or custom panel (DWHD440MPR)
- Sleek charcoal-grey racks with height-adjustment ability for added flexibility
- 18 / 10 high-grade stainless steel interior offers long-lasting reliability, never rusts and resists nicks and chips

DESIGN VERSATILITY— ONLY FROM THERMADOR

- 3 Flat Stainless Steel Panel with Professional Handle
- 3 Flat Stainless Steel Panel with Masterpiece® Handle
- 3 Chiseled Stainless Steel Panel with Professional Handle
- 3 Chiseled Stainless Steel Panel with Masterpiece® Handle
- 3 Custom Panel to Match Your Cabinetry

See page 291 for complete design details.

*Use only this power cord for plug / receptacle connections.



NSF Certified.

INSTALLATION OPTIONS

CUSTOM DOOR PANELS (DWHD440MPR)

Fully integrated models allow you to have a custom door panel made to match your cabinetry. The custom door can be a two-piece configuration to look like a drawer at the top and a cabinet door at the bottom or like a single full-length door. A template is included with the fully integrated models to explain the mounting procedure.

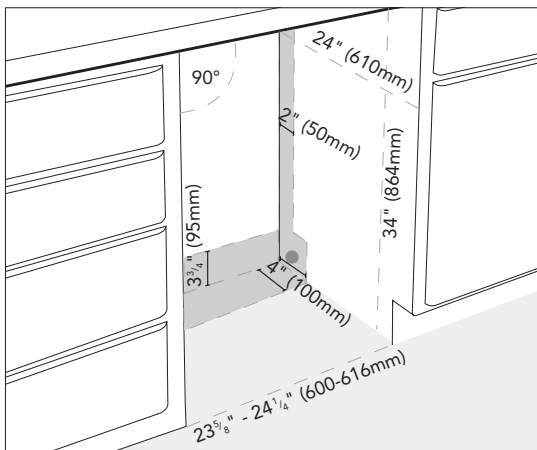
NOTE: This dishwasher can accept custom door panel weights ranging from 7 to 24 lbs.; however, the dishwasher comes from the factory ready for custom panel door weights from 11 to 18 lbs. If you plan on using a door panel that is not 11 to 18 lbs., please contact customer service at (800) 944-2904.

WATER AND ELECTRICAL LOCATIONS

For proper dishwasher operation and appearance, ensure that the enclosure is square and has the dimensions shown. Plumbing and electrical service must enter shaded area.

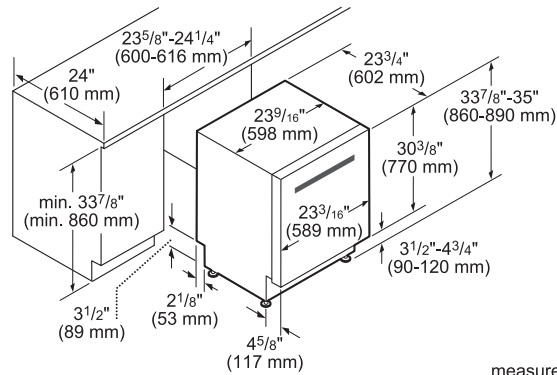
Make required openings to allow for passage of the water, drain and electrical line. In order to avoid interference with the dishwasher when sliding it into the cabinet, place your openings within the dimensions shown.

WATER AND ELECTRICAL LOCATION DIMENSIONS



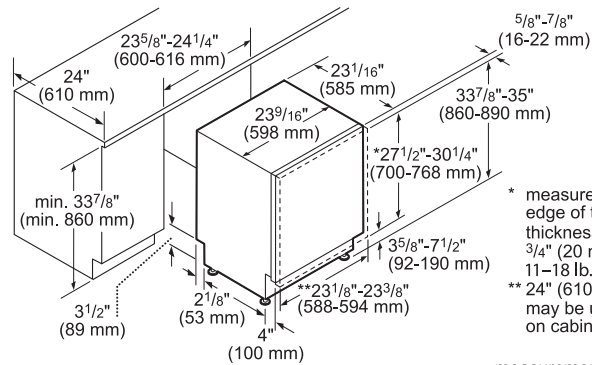
DISHWASHER & CUTOUT DIMENSIONS

DWHD440MFP / DWHD440MFM



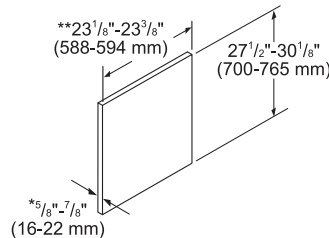
measurements in inches and mm

DWHD440MPR



* measured from the bottom edge of the countertop panel thickness recommended 3/4" (20 mm) panel weight 11-18 lb. (5-8 kg)
** 24" (610 mm) wide panel may be used depending on cabinet design

measurements in inches and mm



* thickness recommended 3/4" (20 mm), panel weight 11-18 lb. (5-8 kg)
** 24" (610 mm) wide panel may be used depending on cabinet design

measurements in inches and mm

DISHWASHERS TOPAZ® 6-PROGRAM

DWHD640JFP / DWHD640JFM / DWHD640JPR



PROFESSIONAL HANDLE

DWHD640JFP

MASTERPIECE® HANDLE

DWHD640JFM

CUSTOM PANEL

DWHD640JPR



SPECIFICATIONS

Product Width	23 9/16"
Product Height	34 1/16" – 36 7/16"
Product Depth	DWHD640JFP – 22 7/16" DWHD640JFM – 22 7/16" DWHD640JPR – 21 5/8"
Door Clearance	27"
Cutout Width (Min.)	24"
Cutout Height (Min.)	34 1/16"
Cutout Depth (Min.)	24"
Variable Height	2 3/8"
Sound Rating	44 dBA
Annual Energy Consumption	279 kWh
Electrical Supply	120V/60 Hz
Required Circuit Breaker	12 Amp
Power Cord with Junction Box	Included
Water Hose	Included (66 7/8")
Max. Temp. for Water Intake	140° F
Length Outlet Hose	55 1/8"
Shipping Weight (lbs.)	114



Contributes .5 points toward satisfying the high-efficiency appliances credit under LEED®

DWHD640JFP / DWHD640JFM / DWHD640JPR

INNOVATION

- ★ - Blue PowerBeam® operating indicator lets you know when dishwasher is running

PERFORMANCE

- Crystal Protect® system adjusts the water softness during the cycle for perfectly clear crystal, free of water spots
- PowerBoost® option increases temperature and pressure in the lower rack for the ultimate performance in heavy-duty cleaning
- Sens-A-Wash® ensures superior washing and drying guaranteed
- Extra Dry Option ensures perfectly dry dishes and sanitizes 99.9% of bacteria
- Hand Wash allows you to delicately wash fine dishes and glasses
- Accommodates 15 place settings for your dinner parties
- Powerfully Quiet® – 44 dBA for peaceful kitchen experience
- ENERGY STAR® Qualified – uses only 279 kWh/year
- Dosage Assist optimizes break down of detergent tablets
- Extra-tall-item Sprinkler allows large items (22" high) to be washed without removing the Chef's Tool Drawer®

DESIGN

- 6-program stainless steel dishwasher with Professional Handle (DWHD640JFP), Masterpiece® Handle (DWHD640JFM), or custom panel (DWHD640JPR)
- Chef's Tool Drawer® delivers added loading capacity for a range of small and large utensils
- Sleek charcoal-grey racks with height-adjustment ability for added flexibility
- 18 / 10 high-grade stainless steel interior offers long-lasting reliability, never rusts and resists nicks and chips
- Silver painted toekick on stainless steel models

DESIGN VERSATILITY — ONLY FROM THERMADOR

- 3 Flat Stainless Steel Panel with Professional Handle
- 3 Flat Stainless Steel Panel with Masterpiece® Handle
- 3 Chiseled Stainless Steel Panel with Professional Handle
- 3 Chiseled Stainless Steel Panel with Masterpiece® Handle
- 3 Custom Panel to Match Your Cabinetry

See page 291 for complete design details.

★ THERMADOR EXCLUSIVE

ACCESSORIES



SMZ5000
Accessory Kit
Extra-tall-item
Sprinkler, Vase / Bottle
Holder, 3 Plastic Item
Clips and Small Item
Basket



SMZ5002UC
Fine Silverware Carafe

DWHDZJCMD
24" Stainless Steel Chiseled Door
with Masterpiece® Handle



SGZ9091UC
Dishwasher Softener Salt

DWHDZJCPD
24" Stainless Steel Chiseled Door
with Professional Handle



SGZ1010UC
Drainage Hose Extension

INSTALLATION OPTIONS

CUSTOM DOOR PANELS (DWHD640JPR)

Fully integrated models allow you to have a custom door panel made to match your cabinetry. The custom door can be a two-piece configuration to look like a drawer at the top and a cabinet door at the bottom or like a single full-length door. A template is included with the fully integrated models to explain the mounting procedure.

NOTE: This dishwasher can accept custom door panel weights ranging from 7 to 24 lbs.; however, the dishwasher comes from the factory ready for custom panel door weights from 11 to 18 lbs. If you plan on using a door panel that is not 11 to 18 lbs., please contact customer service at (800) 944-2904.

WATER AND ELECTRICAL LOCATIONS

For proper dishwasher operation and appearance, ensure that the enclosure is square and has the dimensions shown. Plumbing and electrical service must enter shaded area.

Make required openings to allow for passage of the water, drain and electrical line. In order to avoid interference with the dishwasher when sliding it into the cabinet, place your openings within the dimensions shown.

NOTE: if the incoming electric supply, water supply and drain connections are all in the same cabinet, the one 4 1/2" x 2 1/2" hole will be large enough for all three to pass through.

The dishwasher electrical supply junction box and dedicated receptacle must be mounted in an accessible cabinet adjacent to the dishwasher (do not mount the junction box or receptacle behind the dishwasher). You will need a 4 1/4" x 2" (108 x 51 mm) opening through the cabinet in order to pass the junction box through.

The electrical supply can be connected in one of two ways:

- Use the included 3-wire plug and junction box to connect to a dedicated household receptacle.
- Permanently connect to household or field wiring

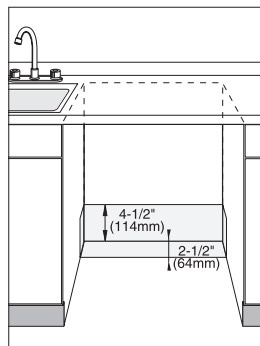
WATER AND ELECTRICAL LOCATION DIMENSIONS

TOPAZ® SERIES REQUIRED OPENINGS:

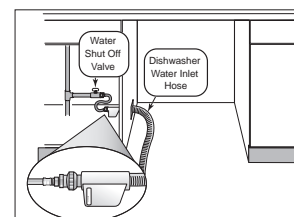
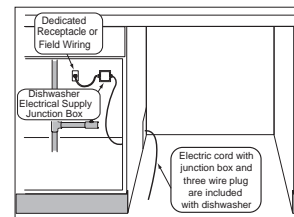
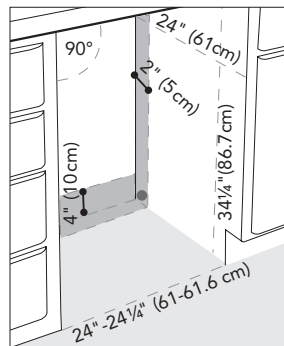
4 1/4" x 2" (108 x 52 mm) – To pass the included electrical supply junction box through to an adjacent cabinet

4" x 2" (100 x 50 mm) – To pass the included water supply line toward the water supply

1 1/4" (32 mm) diameter – To pass the dishwasher drain hose toward the drain connection

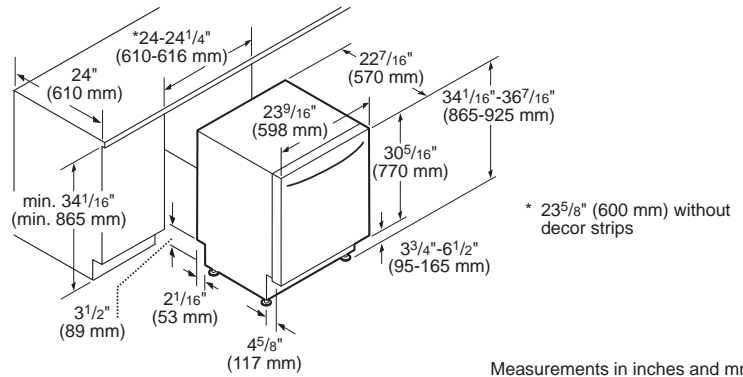


Electrical and Water Connection



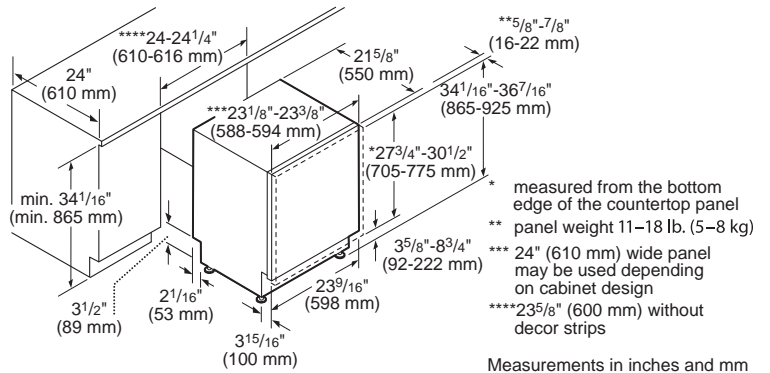
DISHWASHER & CUTOUT DIMENSIONS

DWHD640JFP / DWHD640JFM

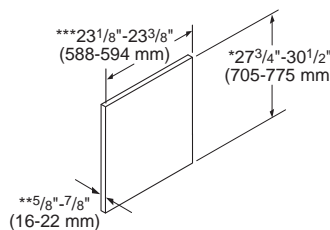


Measurements in inches and mm

DWHD640JPR



Measurements in inches and mm



Measurements in inches and mm

- * measured from the bottom edge of the countertop panel
- ** panel weight 11–18 lb. (5–8 kg)
- *** 24" (610 mm) wide panel may be used depending on cabinet design
- ***** 23 5/8" (600 mm) without decor strips

DISHWASHERS SAPPHIRE® 6-PROGRAM

DWHD650JFP / DWHD650JFM / DWHD650JPR



PROFESSIONAL HANDLE

DWHD650JFP

MASTERPIECE® HANDLE

DWHD650JFM

CUSTOM PANEL

DWHD650JPR



SPECIFICATIONS

Product Width	23 9/16"
Product Height	34 1/16" – 36 7/16"
Product Depth	DWHD650JFP – 22 7/16" DWHD650JFM – 22 7/16" DWHD650JPR – 21 5/8"
Door Clearance	27"
Cutout Width (Min.)	24" – 24 1/4"
Cutout Height (Min.)	34 1/16"
Cutout Depth (Min.)	24"
Variable Height	2 3/8"
Sound Rating	42 dBA
Annual Energy Consumption	260 kWh
Electrical Supply	120V/60 Hz
Required Circuit Breaker	12 Amp
Power Cord with Junction Box	Included
Water Hose	Included (66 7/8")
Max. Temp. for Water Intake	140° F
Length Outlet Hose	55 1/8"
Shipping Weight (lbs.)	114



Contributes .5 points toward satisfying the high-efficiency appliances credit under LEED®

DWHD650JFP / DWHD650JFM / DWHD650JPR

INNOVATION

- ★ - Sapphire Glow® Light illuminates with the sparkling blue light when the dishwasher is open
- ★ - Blue PowerBeam® operating indicator lets you know when dishwasher is running
- Flexible 3rd Rack delivers added loading capacity as well as adjustability to accommodate larger or smaller items, wider ends and utensil handles
- Flexible Folding Tines fold down to accommodate larger pots, pans, and dishes and add flexibility to hold items twice as wide as previous models and significantly wider than competitor

PERFORMANCE

- Crystal Protect® system adjusts the water softness during the cycle for perfectly clear crystal, free of water spots
- PowerBoost® option increases temperature and pressure in the lower rack for the ultimate performance in heavy-duty cleaning
- Sens-A-Wash® ensures superior washing and drying guaranteed
- Extra Dry Option ensures perfectly dry dishes and sanitizes 99.9% of bacteria
- Hand Wash allows you to delicately wash fine dishes and glasses
- Accommodates 15 place settings for your dinner parties
- Powerfully Quiet® – 42 dBA for peaceful kitchen experience
- ENERGY STAR® Qualified – uses only 260 kWh/year
- Dosage Assist optimizes break down of detergent tablets
- Extra-tall-item Sprinkler allows large items (22" high) to be washed without removing 3rd Rack

DESIGN

- 6-program stainless steel dishwasher with Professional Handle (DWHD650JFP), Masterpiece® Handle (DWHD650JFM), or custom panel (DWHD650JPR)
- Sleek charcoal-grey racks with height-adjustment ability for added flexibility
- 18 / 10 high-grade stainless steel interior offers long-lasting reliability, never rusts and resists nicks and chips
- Silver painted toekick on stainless steel models

DESIGN VERSATILITY— ONLY FROM THERMADOR

- 3 Flat Stainless Steel Panel with Professional Handle
- 3 Flat Stainless Steel Panel with Masterpiece® Handle
- 3 Chiseled Stainless Steel Panel with Professional Handle
- 3 Chiseled Stainless Steel Panel with Masterpiece® Handle
- 3 Custom Panel to Match Your Cabinetry

See page 291 for complete design details.

★ THERMADOR EXCLUSIVE

ACCESSORIES



SMZ5000
Accessory Kit
Extra-tall-item
Sprinkler, Vase / Bottle
Holder, 3 Plastic Item
Clips and Small Item
Basket



SMZ5002UC
Fine Silverware Carafe

DWHDZJCMD
24" Stainless Steel Chiseled Door
with Masterpiece® Handle



SGZ9091UC
Dishwasher Softener Salt

DWHDZJCPD
24" Stainless Steel Chiseled Door
with Professional Handle

SGZ1010UC
Drainage Hose Extension

INSTALLATION OPTIONS

CUSTOM DOOR PANELS (DWHD650JPR)

Fully integrated models allow you to have a custom door panel made to match your cabinetry. The custom door can be a two-piece configuration to look like a drawer at the top and a cabinet door at the bottom or like a single full-length door. A template is included with the fully integrated models to explain the mounting procedure.

NOTE: This dishwasher can accept custom door panel weights ranging from 7 to 24 lbs.; however, the dishwasher comes from the factory ready for custom panel door weights from 11 to 18 lbs. If you plan on using a door panel that is not 11 to 18 lbs., please contact customer service at (800) 944-2904.

WATER AND ELECTRICAL LOCATIONS

For proper dishwasher operation and appearance, ensure that the enclosure is square and has the dimensions shown. Plumbing and electrical service must enter shaded area.

Make required openings to allow for passage of the water, drain and electrical line. In order to avoid interference with the dishwasher when sliding it into the cabinet, place your openings within the dimensions shown.

NOTE: If the incoming electric supply, water supply and drain connections are all in the same cabinet, the one 4 1/2" x 2 1/2" hole will be large enough for all three to pass through.

The dishwasher electrical supply junction box and dedicated receptacle must be mounted in an accessible cabinet adjacent to the dishwasher (do not mount the junction box or receptacle behind the dishwasher). You will need a 4 1/4" x 2" (108 x 51 mm) opening through the cabinet in order to pass the junction box through.

The electrical supply can be connected in one of two ways:

- Use the included 3-wire plug and junction box to connect to a dedicated household receptacle.
- Permanently connect to household or field wiring

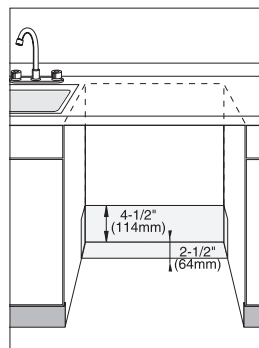
WATER AND ELECTRICAL LOCATION DIMENSIONS

SAPPHIRE SERIES REQUIRED OPENINGS:

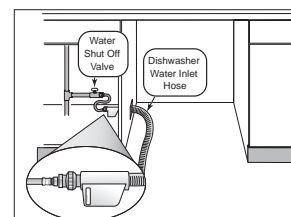
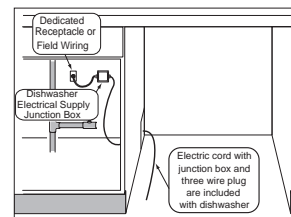
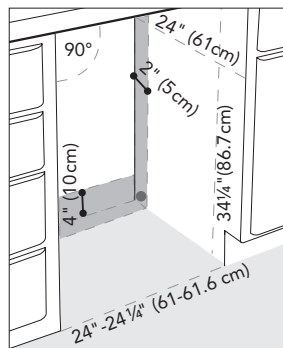
4 1/4" x 2" (108 x 52 mm) – To pass the included electrical supply junction box through to an adjacent cabinet

4" x 2" (100 x 50 mm) – To pass the included water supply line toward the water supply

1 1/4" (32 mm) diameter – To pass the dishwasher drain hose toward the drain connection

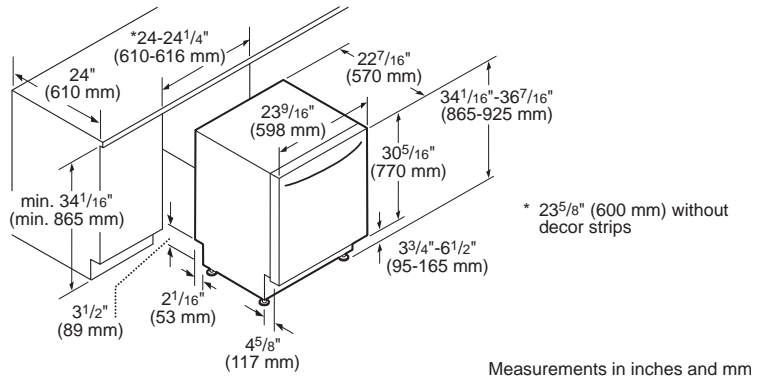


Electrical and Water Connection



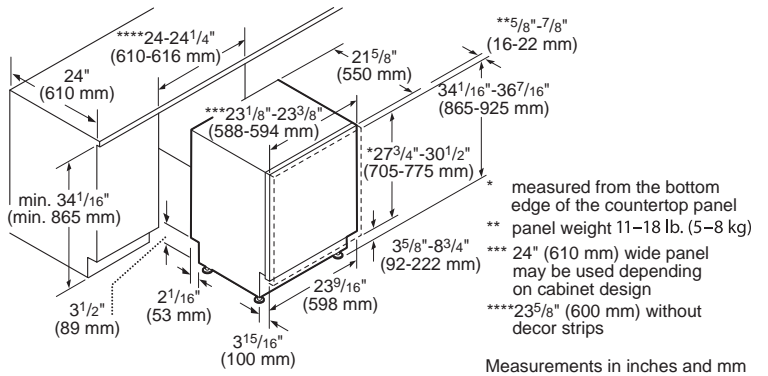
DISHWASHER & CUTOUT DIMENSIONS

DWHD650JFP DWHD650JFM

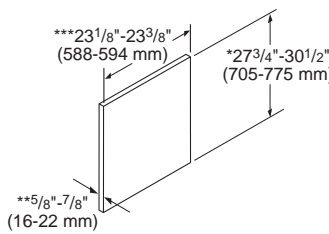


Measurements in inches and mm

DWHD650JPR



Measurements in inches and mm



- * measured from the bottom edge of the countertop panel
- ** thickness recommended 3/4" (20 mm), panel weight 11-18 lb. (5-8 kg)
- *** 24" (610 mm) wide panel may be used depending on cabinet design

Measurements in inches and mm

DISHWASHERS STAR-SAPPHIRE™ 6-PROGRAM

DWHD651JFP / DWHD651JFM / DWHD651JPR



PROFESSIONAL HANDLE

DWHD651JFP

MASTERPIECE® HANDLE

DWHD651JFM

CUSTOM PANEL

DWHD651JPR



SPECIFICATIONS

Product Width	23 9/16"
Product Height	34 1/8"–36 1/2"
Product Depth	DWHD651JFP–22 7/16" DWHD651JFM–22 7/16" DWHD651JPR–21 5/8"
Door Clearance	27"
Cutout Width (Min.)	24"–24 1/4"
Cutout Height (Min.)	34 1/16"
Cutout Depth (Min.)	24"
Variable Height	2 3/8"
Sound Rating	44 dBA
Annual Energy Consumption	260 kWh
Electrical Supply	120V/60 Hz
Required Circuit Breaker	12 Amp
Power Cord with Junction Box	Included
Water Hose	Included (66 7/8")
Max. Temp. for Water Intake	140° F
Length Outlet Hose	55 1/8"
Shipping Weight (lbs.)	115



Contributes .5 points toward satisfying the high-efficiency appliances credit under LEED®

DWHD651JFP / DWHD651JFM / DWHD651JPR

INNOVATION

- ★ - Star Speed® is a full wash cycle in just 20 minutes– Industry fastest
- ★ - Largest Wine Glass Capacity–18 large wine glasses
- Piezo Touch Control communicates slick design and performance
- Time Remaining PowerBeam® shines the actual remaining time of the cycle on the floor
- ★ - Sapphire Glow® Light illuminates with the sparkling blue light when the dishwasher is open
- Flexible 3rd Rack delivers added loading capacity as well as adjustability to accommodate larger or smaller items, wider ends and utensil handles
- ★ - Charcoal-grey Smooth Glide Racks glide effortlessly without jarring or sticking, delivering a more pleasing loading and unloading experience
- Flexible Folding Tines fold down to accommodate larger pots, pans, and dishes and add flexibility to hold items twice as wide as previous models and significantly wider than competitor

PERFORMANCE

- Crystal Protect® system adjusts the water softness during the cycle for perfectly clear crystal, free of water spots
- PowerBoost® option increases temperature and pressure in the lower rack for the ultimate performance in heavy-duty cleaning
- Sens-A-Wash® ensures superior washing and drying guaranteed
- ExtraDry Option ensures perfectly dry dishes
- Hand Wash allows you to delicately wash fine dishes and glasses
- Accommodates 15 place settings for your dinner parties
- Powerfully Quiet®–44 dBA for peaceful kitchen experience
- ENERGY STAR® Qualified–uses only 260 kWh/year
- Dosage Assist optimizes break down of detergent tablets
- Extra-tall-item Sprinkler allows large items (22" high) to be washed without removing 3rd Rack

DESIGN

- 18 / 10 high-grade stainless steel interior offers long-lasting reliability, never rusts and resists nicks and chips
- Silver painted toekick on stainless steel models

DESIGN VERSATILITY—ONLY FROM THERMADOR

- 3 Flat Stainless Steel Panel with Professional Handle
- 3 Flat Stainless Steel Panel with Masterpiece® Handle
- 3 Chiseled Stainless Steel Panel with Professional Handle
- 3 Chiseled Stainless Steel Panel with Masterpiece® Handle
- 3 Custom Panel to Match Your Cabinetry

See page 291 for complete design details.

★ THERMADOR EXCLUSIVE

ACCESSORIES

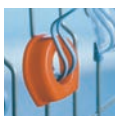


SMZ5000
Accessory Kit
Extra-tall-item
Sprinkler, Vase / Bottle
Holder, 3 Plastic Item
Clips and Small Item
Basket



SMZ5002UC
Fine Silverware Carafe

SGZPC001UC
Power Cord with Connectors



SGZ9091UC
Dishwasher Softener Salt

DWHDZJCMD
24" Stainless Steel Chiseled Door
with Masterpiece® Handle

SGZ1010UC
Drainage Hose Extension

DWHDZJCPD
24" Stainless Steel Chiseled Door
with Professional Handle

DISHWASHERS STAR-SAPPHIRE™ 6-PROGRAM

DWHD651JFP / DWHD651JFM / DWHD651JPR

INSTALLATION OPTIONS

CUSTOM DOOR PANELS (DWHD651JPR)

Fully integrated models allow you to have a custom door panel made to match your cabinetry. The custom door can be a two-piece configuration to look like a drawer at the top and a cabinet door at the bottom or like a single full-length door. A template is included with the fully integrated models to explain the mounting procedure.

NOTE: This dishwasher can accept custom door panel weights ranging from 7 to 24 lbs.; however, the dishwasher comes from the factory ready for custom panel door weights from 11 to 18 lbs. If you plan on using a door panel that is not 11 to 18 lbs., please contact customer service at (800) 944-2904.

WATER AND ELECTRICAL LOCATIONS

For proper dishwasher operation and appearance, ensure that the enclosure is square and has the dimensions shown. Plumbing and electrical service must enter shaded area.

Make required openings to allow for passage of the water, drain and electrical line. In order to avoid interference with the dishwasher when sliding it into the cabinet, place your openings within the dimensions shown.

NOTE: If the incoming electric supply, water supply and drain connections are all in the same cabinet, the one 4 1/2" x 2 1/2" hole will be large enough for all three to pass through.

The dishwasher electrical supply junction box and dedicated receptacle must be mounted in an accessible cabinet adjacent to the dishwasher (do not mount the junction box or receptacle behind the dishwasher). You will need a 4 1/4" x 2" (108 x 51 mm) opening through the cabinet in order to pass the junction box through.

The electrical supply can be connected in one of two ways:

- Use the included 3-wire plug and junction box to connect to a dedicated household receptacle.
- Permanently connect to household or field wiring

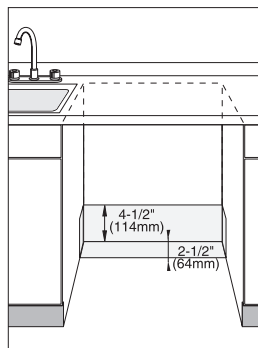
WATER AND ELECTRICAL LOCATION DIMENSIONS

STAR-SAPPHIRE SERIES REQUIRED OPENINGS:

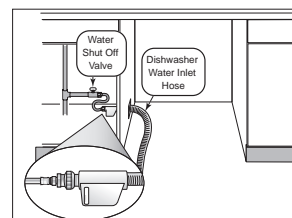
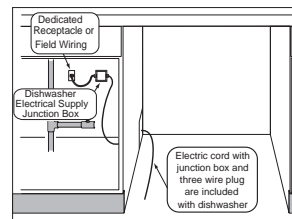
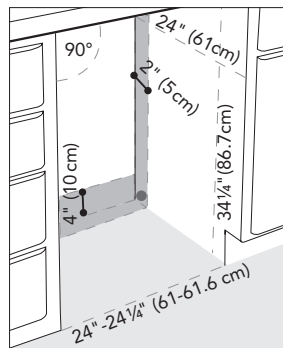
4 1/4" x 2" (108 x 52 mm) – To pass the included electrical supply junction box through to an adjacent cabinet

4" x 2" (100 x 50 mm) – To pass the included water supply line toward the water supply

1 1/4" (32 mm) diameter – To pass the dishwasher drain hose toward the drain connection

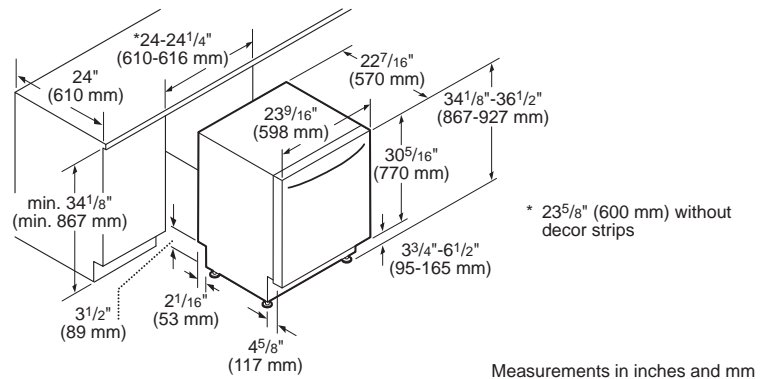


Electrical and Water Connection



DISHWASHER & CUTOUT DIMENSIONS

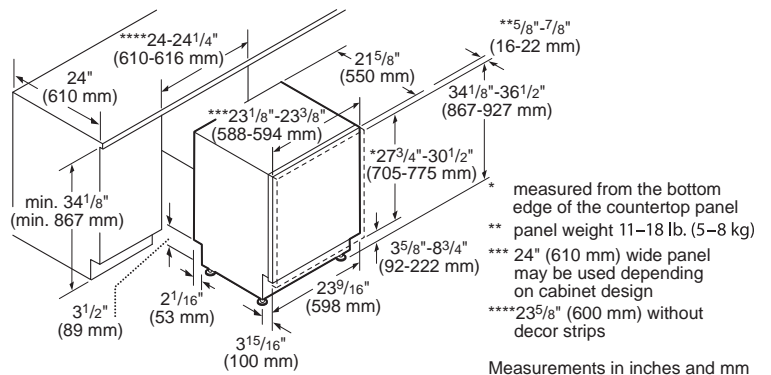
DWHD651JFP / DWHD651JFM



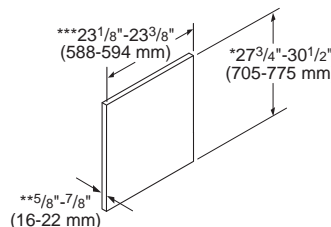
* 23 5/8" (600 mm) without decor strips

Measurements in inches and mm

DWHD651JPR



Measurements in inches and mm



* measured from the bottom edge of the countertop panel
** panel weight 11–18 lb. (5–8 kg)
*** 24" (610 mm) wide panel may be used depending on cabinet design

Measurements in inches and mm

EXPERIENCE THERMADOR®

Thermador is committed to giving you an enjoyable, creative and rewarding cooking experience. Whether you would like to research our products, watch a video of our chef searing the perfect scallop, or have questions on the use and care of your product, simply browse our online resource library at thermador.com

CONNECT WITH US

thermador.com/blog

 [facebook.com](https://www.facebook.com/thermador)

 twitter.com/thermador

 [youtube.com/thermadorhome](https://www.youtube.com/thermadorhome)

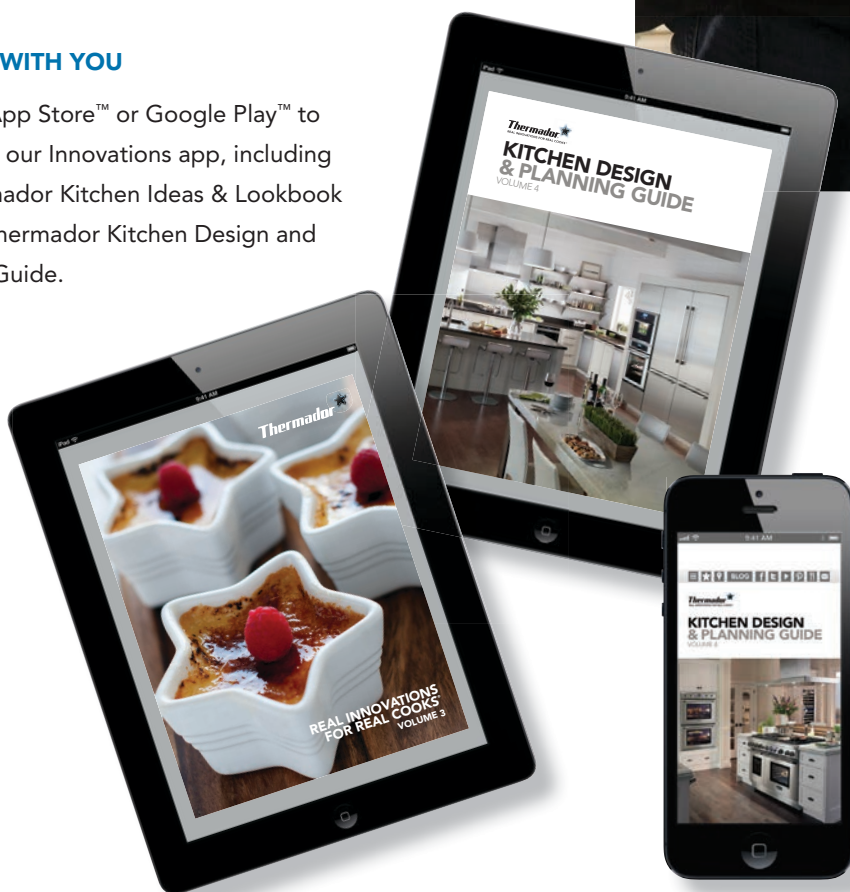
 [pinterest.com/thermador](https://www.pinterest.com/thermador)

 [instagram.com/thermadorhome](https://www.instagram.com/thermadorhome)

VISIT THE ABOVE SITES TO SHARE PHOTOS OF
YOUR NEW KITCHEN AND CREATIVE DISHES.

TAKE US WITH YOU

Visit the App Store™ or Google Play™ to download our Innovations app, including the Thermador Kitchen Ideas & Lookbook and the Thermador Kitchen Design and Planning Guide.



CUSTOMER SERVICE

For dedicated customer service on any Thermador product, please call: 1-800-735-4328 or contact us at thermador.com



1 800 735 4328

USA THERMADOR.COM
CANADA THERMADOR.CA