

DWHD640JFP Stainless steel

- Professional Handle and Fully Flush Stainless Steel Panel
- Topaz 24"
- 6 Programs and 4 options
- DWHD640JFP

Quality

- Blue PowerBeam® operating indicator lets you know when the unit is running
- Dosage Assist optimizes break down of detergent tablets

Performance

- Crystal Protection™ System ensures perfect results for fine crystal
- PowerBoost® option increases temperature and pressure in the lower rack for the ultimate in heavy-duty cleaning
- Sens-A-Wash® ensures superior washing and drying guaranteed
- Extra Dry option ensures perfectly dry dishes
- Hand Wash allows you to delicately wash fine items and wine glasses
- Powerfully Quiet® - 44 dBA for peaceful kitchen experience
- ENERGY STAR® Qualified - uses only 279kWh/Yr
- Extra-Tall-Item™ Sprinkler allows large items (22" high) to be washed

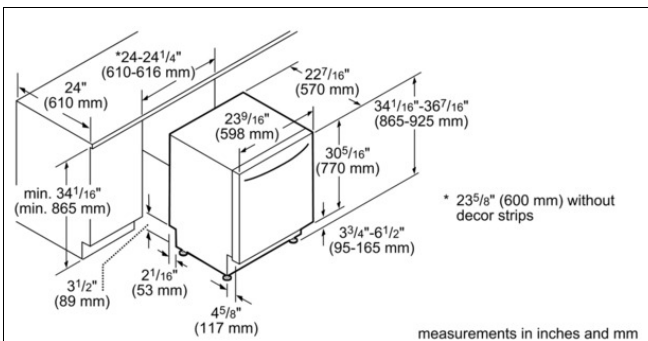
Design

- Professional Handle
- Stainless Steel Control Panel
- Chef's Tool Drawer® delivers added loading capacity for a range of small and large utensils
- Sleek charcoal-grey racks with height-adjustment ability for added flexibility
- Blue LED Display
- 18/10 high-grade stainless steel interior offers long-lasting reliability, never rusts and resists nicks and chips
- Silver Painted Toe Kick
- Accommodates 15 plate settings for your dinner parties

Optional accessories

SGZ1010UC Drain hose extension kit
SGZ9091UC finish salt for dishwashers
SMZ5000 Dishwashing aid set
SMZ5002UC Silverware box

825225900238



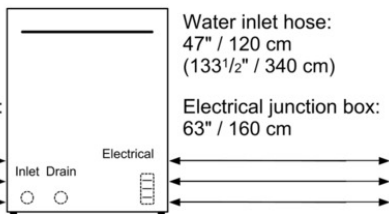
measurements in inches and mm

Drain hose:
63" / 160 cm
(141 1/2" / 360 cm)

Water inlet hose:
55" / 140 cm
(141 1/2" / 360 cm)

Electrical junction box:
47 1/2" / 120 cm

Front view



Drain hose:
59" / 150 cm
(137 1/2" / 350 cm)

Water inlet hose:
47" / 120 cm
(133 1/2" / 340 cm)

Electrical junction box:
63" / 160 cm

All connections in the rear of the appliance.
() values with extension kit.

Product Features

- Upper Rack: mid
- Adjustable upper rack: Rackmatic 3-stage
- Upper rack cup shelf: 2
- Lower Rack: mid
- 3rd Rack: 3rd Rack 1.0
- Silverware Basket: Standard
- Accessories Parts: baking-sheet spray head grey
- Optional accessories: SGZ1010UC, SGZ9091UC, SMZ5000, SMZ5002UC

Consumption and connection features

- UPC code: 825225900238
- Variant color: Stainless steel
- Panel ready: No
- Alternative colors available:
- Silence level (dBA): 44
- Watts (W): 1300
- Current (A): 12
- Volts (V): 120
- Frequency (Hz): 60
- Energy Consumption (kWh/yr): 279
- Energy Star® qualified: Yes
- Plug type: 120V-3 prong
- Required cutout size (HxWxD) (in): 34 1/16" x 24 " x 24 "
- Required cutout size (HxWxD) (mm): 865 x 610 x 610
- Overall appliance dimensions (HxWxD) (in): 34 1/16 " x 23 9/16 " x 22 7/16 "
- Power cord length (in): 47 1/4"
- Power cord length (cm): 120.0
- Length outlet hose (in): 55 1/8 "
- Length outlet hose (cm): 170
- Length inlet hose (in): 55 1/8"
- Length inlet hose (cm): 140
- Product packaging dimensions (HxWxD) (in): 36 13/16" x 26" x 28"
- Tube material: Stainless steel
- Tube type: TallTub
- ADA Compliant: No
- Number of place settings: 14

2013-07-12