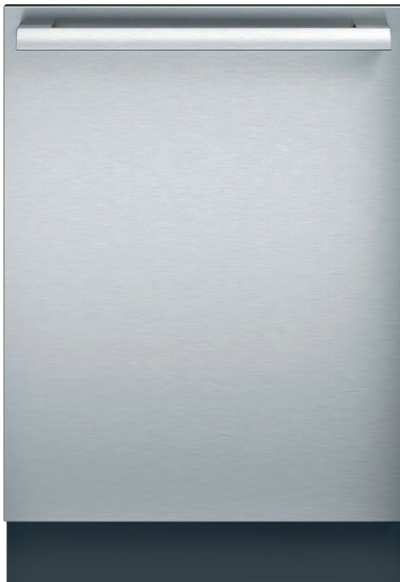


DWHD650JFM SAPPHIRE® 6-PROGRAM DISHWASHER

MASTERPIECE® SERIES HANDLE

Thermador 
REAL INNOVATIONS FOR REAL COOKS®



Also Available In:

DWHD650JFP - Flat Stainless Steel Panel
with Professional Series Handle
DWHD650JPR - Custom Panel

FEATURES & BENEFITS

- ★ - Sapphire Glow® light illuminates with the sparkling blue light when the dishwasher is open
- ★ - Blue PowerBeam® operating indicator lets you know when dishwasher is running
 - Flexible 3rd rack delivers added loading capacity as well as adjustability to accommodate larger or smaller items, wider ends and utensil handles
 - Flexible folding tines fold down to accommodate larger pots, pans, and dishes and add flexibility to hold items twice as wide as previous models and significantly wider than competitor
 - Crystal Protect® system adjusts the water softness during the cycle for perfectly clear crystal, free of water spots

ACCESSORIES (OPTIONAL)

Dishwasher Softener Salt (4.4 lbs)	SGZ9091UC
Dishwasher Supply and Drainage Hose Extension 76 3/4"	SGZ1010UC
Dishwasher Accessory Kit	SMZ5000
Fine Silverware Carafe	SMZ5002UC



Accessory Kit includes Extra-tall-item Sprinkler, Vase / Bottle Holder, 3 Plastic Item Clips and Small Item Basket



Fine Silverware Carafe

★ THERMADOR EXCLUSIVE

GENERAL PROPERTIES

Number Of Wash Cycles	6
Number Of Options	5
dBA	42
Third Rack	Flexible
Rack Adjustability	Rackmatic 3-Stage
Tub Material	Stainless Steel
Control Type	Buttons
Concealed Heating Element	Yes
Leak Protection System	24/7 AquaStop® Plus
Water Softener	Yes
Five-Level Wash	Yes
Childlock	No

EFFICIENCY

Water Usage Per Cycle (g)	2.2 g
Energy Efficiency Class	Tier 1
ENERGY STAR® Qualified	Yes
Total Annual Energy Consumption (kWh)	260 kWh
Total Annual Water Consumption (g)	613 g

CAPACITY

Number Of Place Settings	14
--------------------------	----

TECHNICAL DETAILS

Watts (W)	1,300 W
Current (A)	12 A
Volts (V)	120 V
Frequency (Hz)	60 Hz
Power Cord Length (in)	47 1/4"
Minimum Water Pressure (lb/sin)	7
Max. Temperature for Water Intake	140° F
Length Inlet Hose (in)	55 1/8"
Length Outlet Hose (in)	55 1/8"

DIMENSIONS & WEIGHT

Overall Appliance Dimensions (HxWxD) (in)	34 1/16" x 23 9/16" x 22 7/16"
Required Cutout Size (HxWxD) (in)	34 1/8" x 24" x 24"
Adjustable Feet	Yes
Net Weight (lbs)	103 lbs

ACCESSORIES (INCLUDED)

Baking-Sheet Spray Head Grey

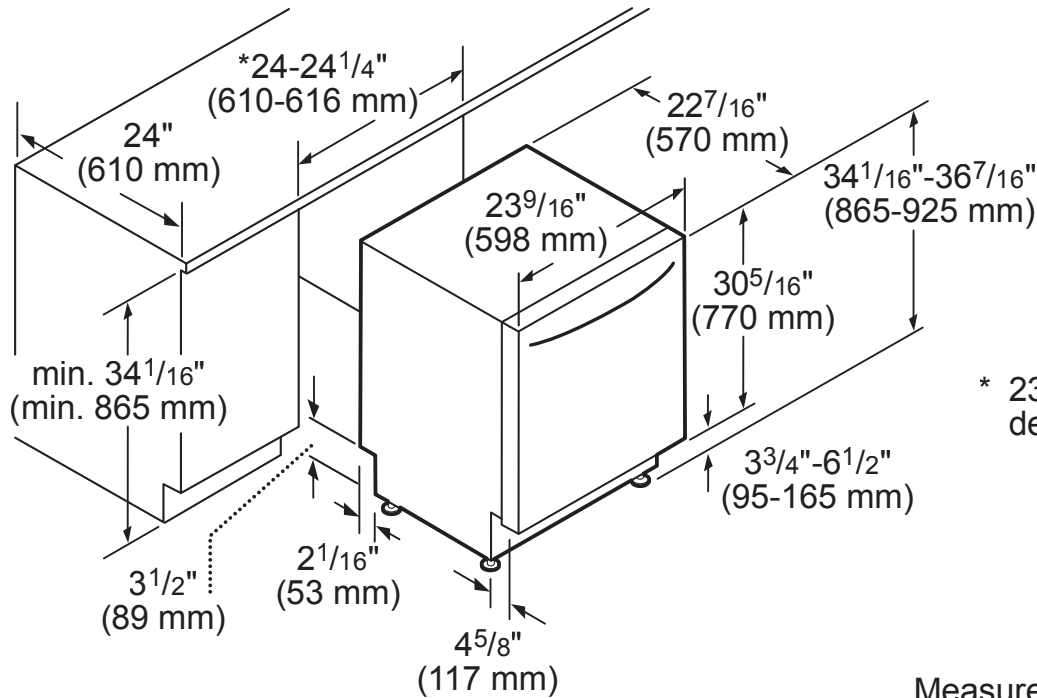
WARRANTY

Full Warranty, Entire Appliance, Parts and Labor	2 Year
Limited Warranty for Microprocessor or Printed Circuit Board; Parts Only	3rd to 5th Year
Limited Warranty for Racks (Does Not Include Rack Components); Parts Only	3rd to 5th Year
Limited Warranty for Rust-through On Inner Tub Liner; Parts Only	Lifetime

DWHD650JFM
SAPPHIRE® 6-PROGRAM DISHWASHER
MASTERPIECE® SERIES HANDLE



DISHWASHER & CUTOUT DIMENSIONS



* 23⁵/₈" (600 mm) without decor strips

Measurements in inches and mm

These warranties give you specific legal rights and you may have other rights that vary from state to state. Full warranty and limited warranty from date of installation. For complete warranty details, refer to your Use & Care manual, or ask your dealer.

Specifications are for planning purposes only. Refer to installation instructions and consult your countertop supplier prior to making counter opening. Consult with a heating and ventilation engineer for your specific ventilation requirements. For the most detailed information, refer to installation instructions accompanying product or write to Thermador indicating the model number. Specifications are correct at time of printing. Thermador reserves the right to change product specifications or design without notice. Some models are certified for use in Canada. Thermador is not responsible for products that are transported from the U.S. for use in Canada.