

Combined MW appliance

MCES



MCES Stainless steel

Design

- Built-in Convection Microwave is the perfect companion for any Thermador Wall Oven
- Chiseled and bold Thermador design
- Available with 27" or 30" Trim Kit for a sleek built-in look
- Premium glass touch control
- Blue digital display with scrolling text

Performance

- Innovative Microwave Inverter technology offers consistent cooking performance
- 1000 Watts Microwave power
- 10 Microwave power levels
- Convection Bake Mode offers the perfect solution for baking small meals
- Popcorn program
- Quick Defrost

Capacity

- 1.5 cu.ft. Stainless Steel cavity
- 15" recessed ceramic turntable

Convenience

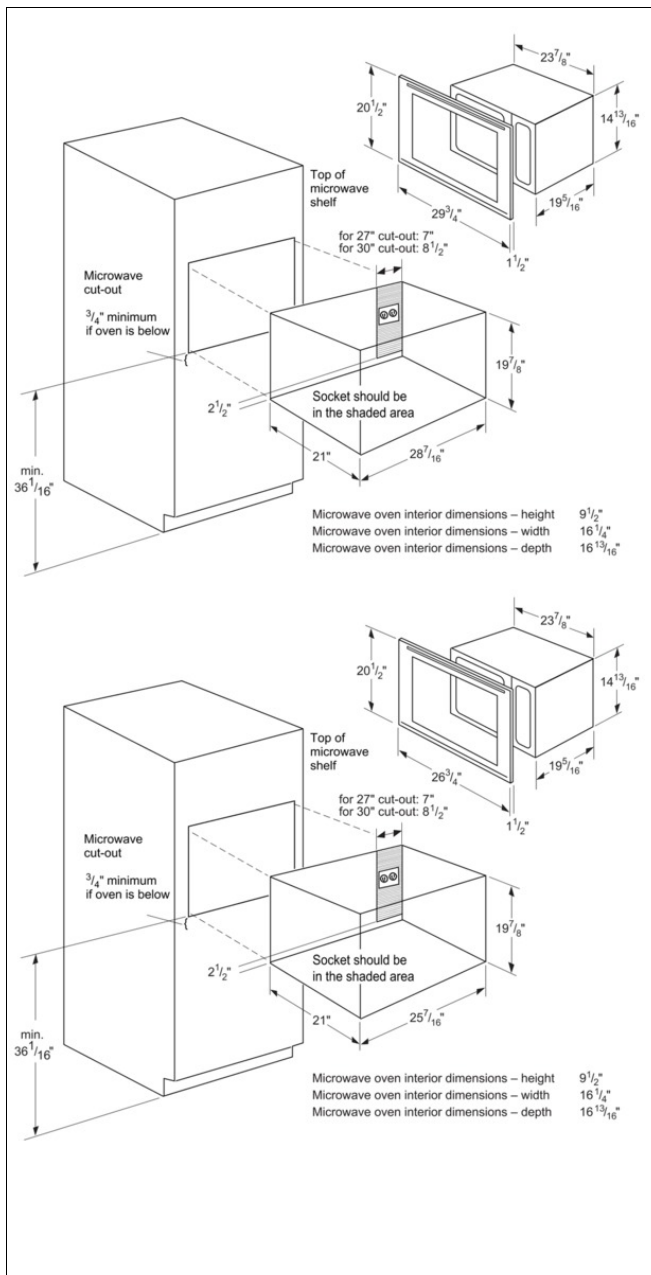
- Sensor cooking programs measure humidity and adjust cooking level and cooking time
- Automatic Smart Sensor Reheat - automatically determines cooking level and time
- Automatic Convection Bake programs
- Timer offers automatic delay start mode
- Keep Warm mode
- Quick Minute conveniently adds cooking time

Optional accessories

MCT27JS Thd BI Trim Kit, 27", Convection MW, SS
MCT30JS Thd BI Trim Kit, 30", Convection MW, SS

825225847670

Combined MW appliance MCES



Product Features

- Max. Microwave power (W): 1000
- Number of Power Levels: 10
- Turntable: Yes
- Turntable diameter (in): 15"
- Turntable diameter (mm): 382
- Heating type: Microwave, True Convection
- Cavity material: Stainless steel
- Door opening: Button
- Clock / Timer: Yes
- Included accessories: 1 x Grid high, 1 x Grid flat

Consumption and connection features

- UPC code: 825225847670
- Product color: Stainless steel
- Alternative colors available:
- Watts (W): 1500
- Current (A): 18
- Volts (V): 120
- Frequency (Hz): 60
- Approval certificates: CSA, UL
- Power cord length (in): 41 5/16"
- Power cord length (cm): 105.0
- Plug type: 120V-3 prong
- Required cutout size (HxWxD) (in): 19 7/8" x 25 7/16" x 21"
- Required cutout size (HxWxD) (mm): 504 x 646 x 533
- Overall appliance dimensions (HxWxD) (in): 14 13/16" x 23 7/8" x 19 5/16"
- Overall appliance dimensions (HxWxD) (mm): 376 x 606 x 491
- Product packaging dimensions (HxWxD) (in): 18.89 x 18.11 x 26.37
- Net weight (lbs): 33
- Net weight (kg): 15.000
- Gross weight (lbs): 40
- Gross weight (kg): 18.000

2013-07-12