

24" Built-in MicroDrawer MD24JS



MD24JS Stainless steel

Performance

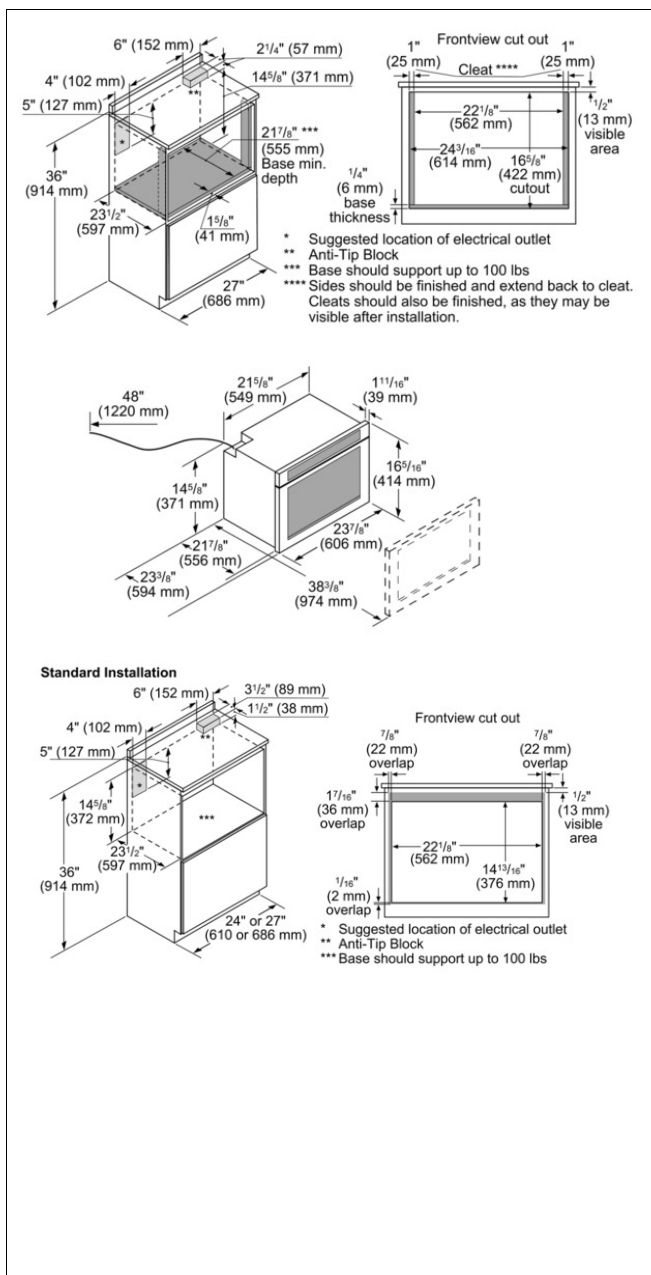
- Spacious 1.2 cu.ft. cavity
- Microwave interior accommodates a 13"x9" pan
- 950 Watts Microwave power
- 10 Cooking Modes (incl. Melt, Soften and Keep Warm)
- Sensor cooking programs measure humidity and adjust cooking level and cooking time
- Popcorn program
- Touch "open" and "close"

Design

- Perfect Flush Installation
- Hidden Vent
- Premium glass touch control
- Blue LCD display

825225900832

24" Built-in MicroDrawer MD24JS



Product Features

Max. Microwave power (W): 950
 Number of Power Levels: 11
 Turntable: No
 Heating type: Microwave
 Cavity material: Lacquered
 Door opening: Button
 Clock / Timer: Yes

Consumption and connection features

UPC code: 825225900832
 Product color: Stainless steel
 Alternative colors available:
 Watts (W): 1500
 Current (A): 15
 Volts (V): 120
 Frequency (Hz): 60
 Approval certificates: CUL
 Power cord length (in): 48"
 Power cord length (cm): 121.9
 Plug type: 120V-3 prong
 Required cutout size (HxWxD) (in): 14 13/16" x 22 1/8" x 23 1/2"
 Required cutout size (HxWxD) (mm): 376 x 562 x 597
 Overall appliance dimensions (HxWxD) (in): 16 5/16" x 23 7/8" x 23 3/8"
 Overall appliance dimensions (HxWxD) (mm): 414.2 x 606 x 593
 Product packaging dimensions (HxWxD) (in): 23.18 x 29.99 x 27.99
 Net weight (lbs): 81
 Net weight (kg): 37.000
 Gross weight (lbs): 90
 Gross weight (kg): 41.000

2013-07-12