

**Masterpiece®, Built-In Microwave
Oven, 24", Door hinge: Left, Stainless
Steel
MBCS**



MBT30CS THD Trim Kit, 30", Standard MW, SS

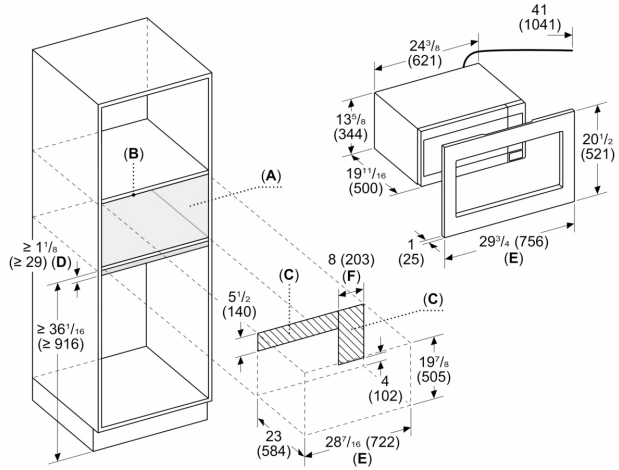
- Built-in Design: Must be purchased alongside the MBT30CS trim kit.
- Sensor Cooking: Take the guesswork out of cooking with this special sensor mode that controls humidity and automatically adjusts the cooking level and time.
- 10 Microwave Programs: When microwaving, enjoy the ultimate in control with modes that include melt, warm, and soften.
- Pairs with Thermador Built-in Ovens: Designed to match with the rest of your kitchen appliance suite.
- Large Capacity: features a 2.1 cubic foot capacity that can hold a 20 oz cup.

UPC code:	825225973195
Product color:	Stainless Steel
Watts:	1500 W
Amps:	15 A
Volts:	120 V
Frequency:60 Hz
Power Cord Length:41"
Power cord length:	105 cm
Plug type:	120V-3 prong
Required Cutout Size (HxWxD) (in):	19 7/8" x 25 7/16" x 23"
Required cutout size (HxWxD):	505-505 x 646-722 x 584 mm
Overall Appliance Dimensions (HxWxD) (in):	13 5/8" x 24 3/8" x 19 11/16"
Dimensions:	344x621x500 mm
Product Packaging Dimensions (HxWxD):	28.54 x 23.42 x 17.32
Product packaging dimensions (HxWxD):	725x595x440 mm
Net Weight:	43.000 lbs
Net Weight:	19.6 kg
Gross Weight:	54.000 lbs
Gross weight:	24.5 kg



**Masterpiece®, Built-In Microwave
Oven, 24", Door hinge: Left, Stainless
Steel
MBCS**

Measurements in inches (mm)



- A: Microwave cut-out
- B: Top of microwave shelf
- C: Space for appliance connection
- D: If an oven located below
- E: For 30" (762 mm) trim kit
- F: For 30" (762 mm) cut-out