

SD30WC

30-INCH STORAGE DRAWER

PUSH TO OPEN



FEATURES & BENEFITS

- Our storage drawer is the perfect combination of uncompromising performance, unique convenience features and elegant design
- Designed to store your plates, trays, and accessories in the kitchen
- Storage drawer pairs beautifully with the Thermador speed, steam or wall oven
- The rails feature a telescoping ball-bearing design for smooth opening and closing that supports up to a 40 lbs. load
- Matches Thermador Built-in Products. Install either flush or fully overlay.

GENERAL PROPERTIES

Door Opening	Push to Open
--------------	--------------

CAPACITY

Cavity Capacity	2.4 cu. ft.
-----------------	-------------

DIMENSIONS & WEIGHT

Overall Appliance Dimensions (HxWxD)	9 7/16" x 29 3/4" x 24 1/2"
--------------------------------------	-----------------------------

Required Cutout Size (HxWxD) – Standard	9 1/4" x 28 1/2" x 23 1/2"
---	----------------------------

Required Cutout Size (HxWxD) – Flush	9 9/16" x 30" x 24 1/2"
--------------------------------------	-------------------------

Net Weight	47 lbs
------------	--------

WARRANTY

Limited Warranty Parts and Labor	2 Year
----------------------------------	--------

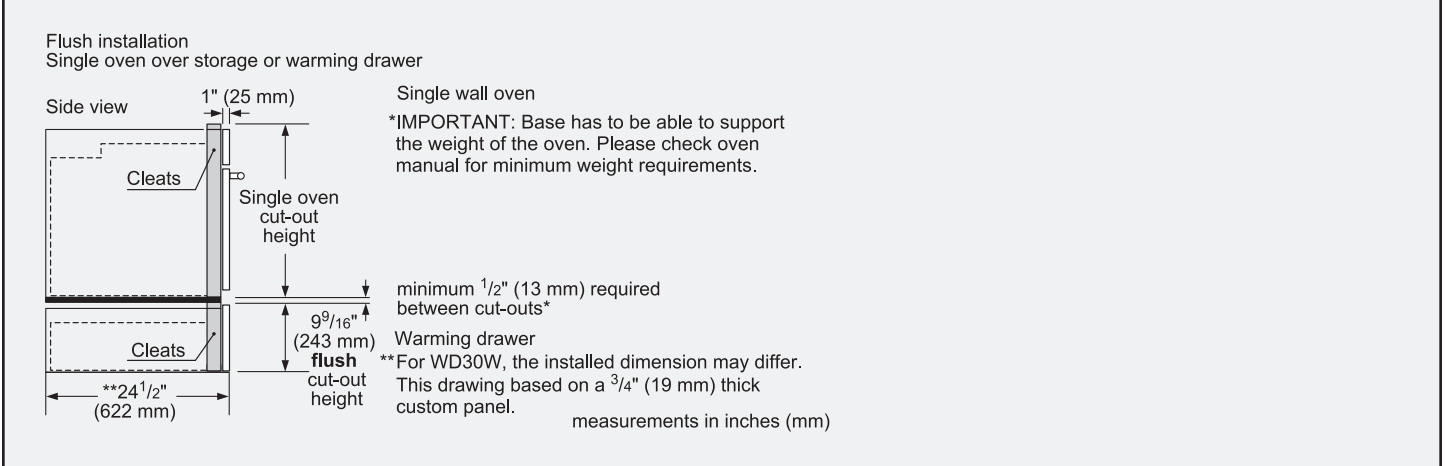
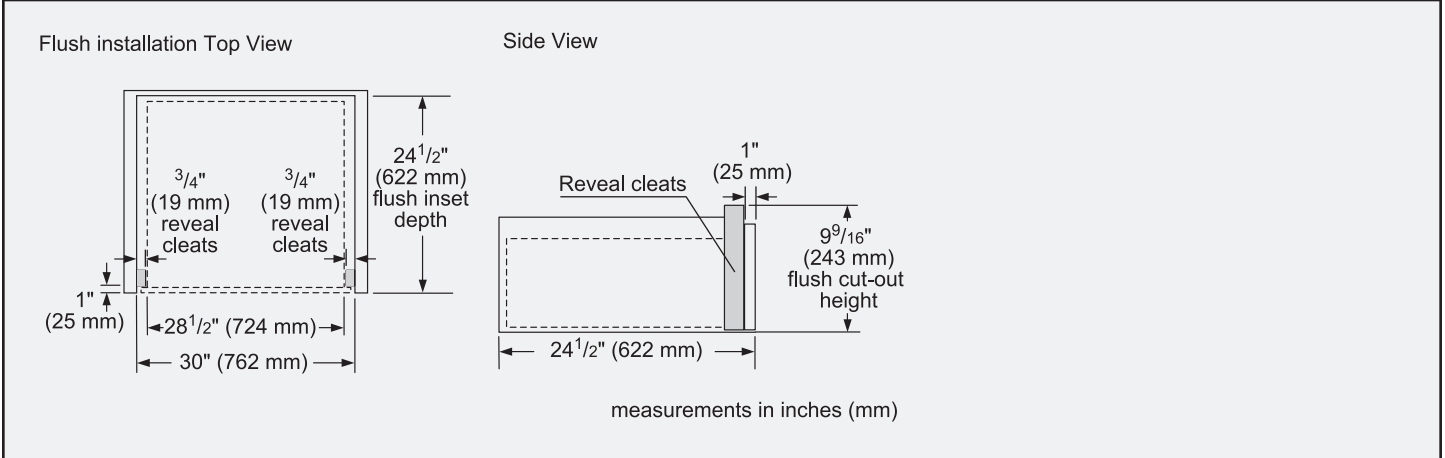
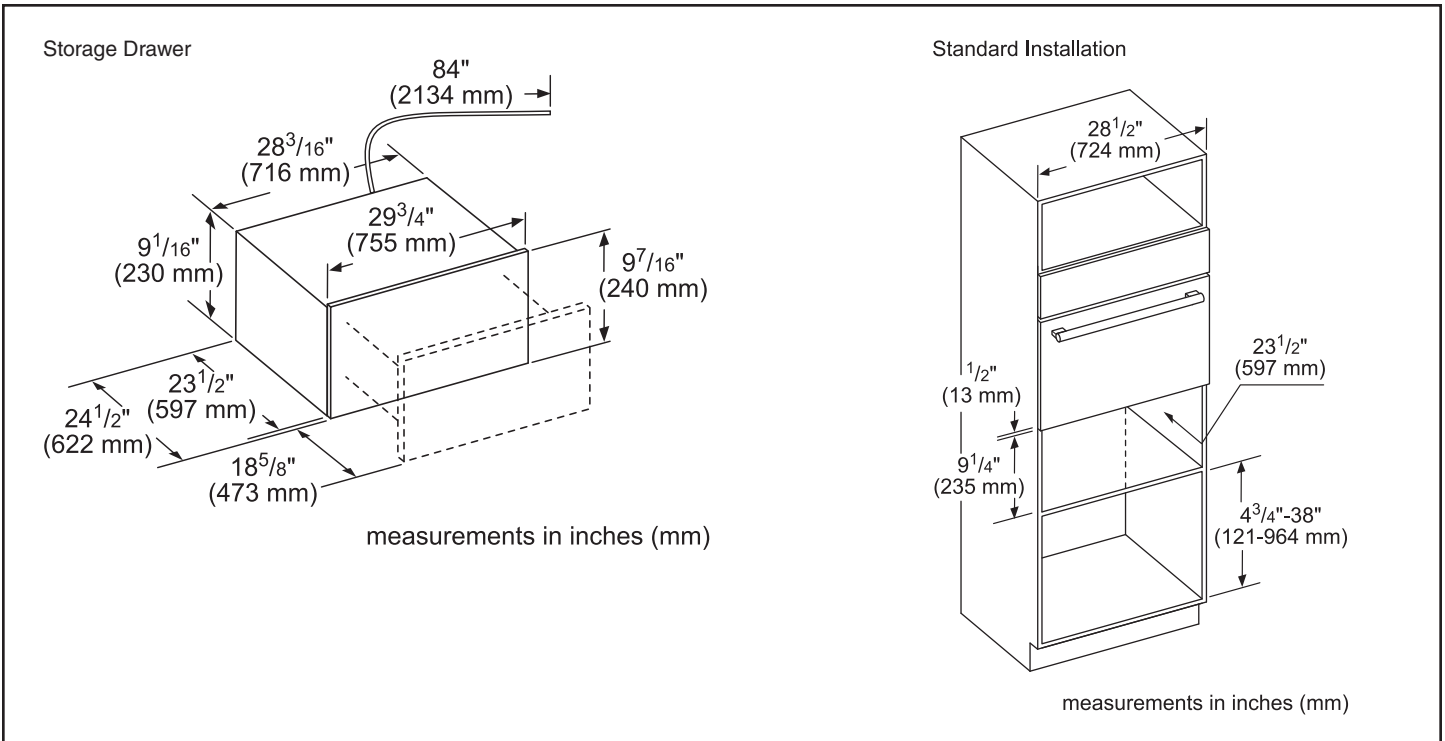
SD30WC

30-INCH STORAGE DRAWER

PUSH TO OPEN



30-INCH STORAGE DRAWER AND CUTOUT DIMENSIONS



SD30WC

30-INCH STORAGE DRAWER

PUSH TO OPEN



INSTALLATION DETAILS

Standard installation
Single oven, double oven or combo oven over warming or storage drawer

* Wall oven junction box may be located above or to the right or left of the unit within reach of the power cable.

** Electrical hook-up may be located below (depending on space) or next to the drawer within reach of the power cable.

Minimum $\frac{3}{4}$ " (18 mm) required between cut-outs.

measurements in inches (mm)

Flush installation
Double or combo oven over storage or warming drawer

Side view

*IMPORTANT: Base has to be able to support the weight of the oven. Please check oven manual for minimum weight requirements.

minimum $\frac{1}{2}$ " (13 mm) required between cut-out*
Warming drawer

** For WD30W, the installed dimension may differ. This is based on $\frac{3}{4}$ " (19 mm) thick custom panel.

measurements in inches (mm)

These warranties give you specific legal rights and you may have other rights that vary from state to state. Full warranty and limited warranty from date of installation. For complete warranty details, refer to your Use & Care manual, or ask your dealer.

Specifications are for planning purposes only. Refer to installation instructions and consult your countertop supplier prior to making counter opening. Consult with a heating and ventilation engineer for your specific ventilation requirements. For the most detailed information, refer to installation instructions accompanying product or write to Thermador indicating the model number. Specifications are correct at time of printing. Thermador reserves the right to change product specifications or design without notice. Some models are certified for use in Canada. Thermador is not responsible for products that are transported from the U.S. for use in Canada.