

# T30IR900SP

## 30-INCH BUILT-IN FRESH FOOD COLUMN

FREEDOM® COLLECTION, PANEL-READY



### FEATURES & BENEFITS

- Freedom® Hinge enables true flush design
- The new Auto Door Opening provides the opening of the door with just a slight push or pull
- Delicate Produce Bins for expanded storage
- ThermaFresh System, Humidity and Temperature controlled drawers
- SoftClose® Drawers and Produce Bins for easy and controlled storage
- Sleek clean design for the perfect symmetry when paired with additional columns
- TFT control panel managing all your columns functions

### TEMPERATURE RANGES

Refrigerator	35°F (2°C) to 46°F (8°C)
Temperature Controlled Drawer	32°F (0°C) to 46°F (8°C)
Deli Drawer	Just above 32°F (0°C)
Super Cool	35.5°F (2°C) for approximately 9 hours
Energy Saving (Economy) Mode	45°F (7°C)

### GENERAL PROPERTIES

Panel Ready	Yes
Reversible Door Swing	Yes
SoftClose® Drawers	Yes
Carbon Air Filter	Yes
Lighting	New Bar ALL LED Sidewall and Theater Lighting
Full Width Shelves	4
Adjustable Shelves	3
Shelf Material	Glass w/Aluminum Profile
Full Extension Drawers @ 115° Door Opening Angle	Yes
Full Extension Drawers @ 90° Door Opening Angle	Yes
Temperature and Humidity Controlled Drawer	1
General Use Drawer	1
Door Bins	2
Gallon Door Bins	1
Delicate Produce Bins	2 Large
Door Open Alarm	Yes
Open Door Assist	Yes
Special Modes	Sabbath, Economy, Vacation

### CAPACITY

Total Unit Gross Capacity (cu. ft.) – AHAM	16.8 cu. ft.
Refrigerator Gross Capacity (cu. ft.)	16.8 cu. ft.

### PERFORMANCE

Dedicated Evaporator & Compressor System	Yes
Freeflow® Cold Air System	Yes
SuperCool	Yes

### TECHNICAL DETAILS

Watts (W)	180 W
Current (A)	15 A
Volts (V)	120V-3 Prong
Frequency (Hz)	60 Hz
Power Cord Length (in.)	139
Plug Type	120V-3 Prong

### DIMENSIONS & WEIGHT

Appliance Dimensions (H x W x D) (in.)	83 3/4" x 29 3/4" x 24"
Required Cutout Size (H x W x D) (in.)	84" x 30" x 25"
Net / Gross Weight (lbs)	344 / 368 lbs

### EFFICIENCY

ENERGY STAR® Qualified	Yes
Annual Energy Consumption	289 kWh

\*Height adjustable + / -1/2" (+ / -13 mm)

# T30IR900SP

## 30-INCH BUILT-IN FRESH FOOD COLUMN

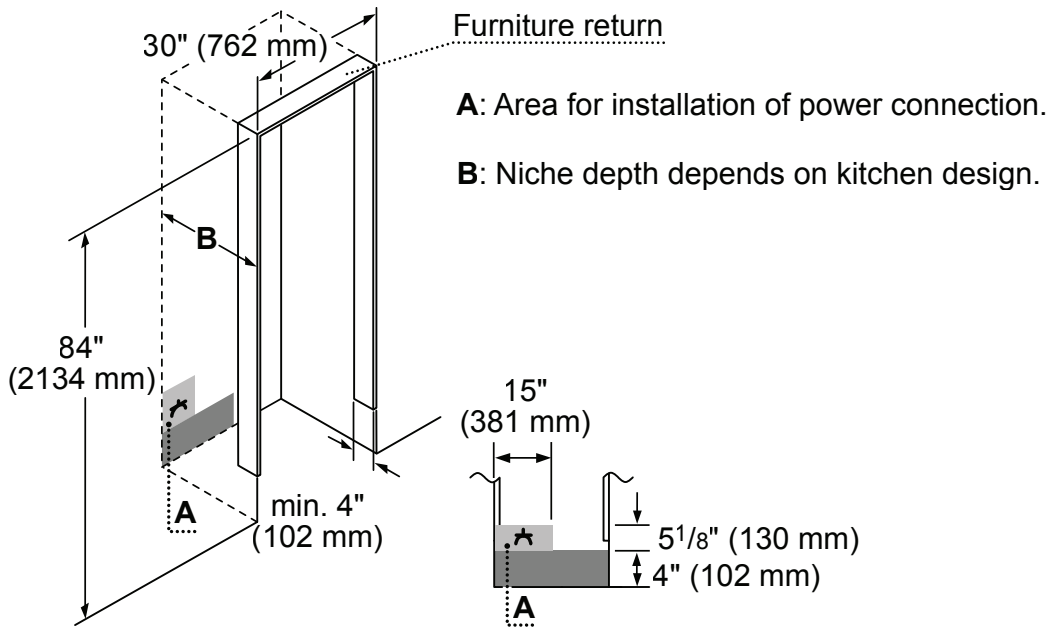
FREEDOM® COLLECTION, PANEL-READY



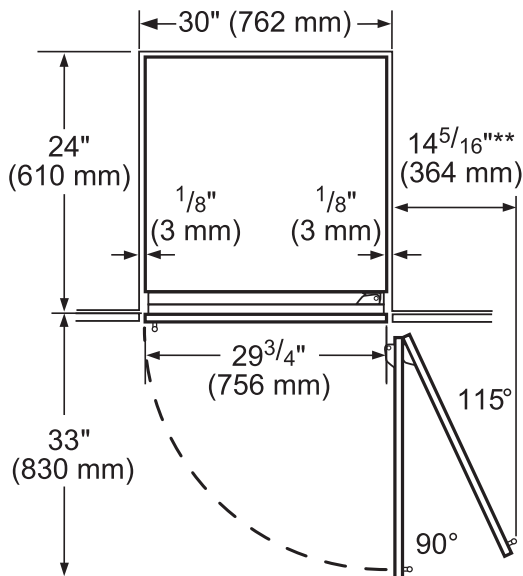
WARRANTY	
Limited, Entire Appliance, Parts and Labor on Any Part of the Refrigerator that Fails Because of a Manufacturing Defect	2 Year
Limited Warranty for Sealed Refrigeration System**; Parts and Labor	3rd to 6th Year
Limited Warranty for Sealed Refrigeration System**; Parts Only	7th to 12th Year
Limited Warranty for Stainless Steel Rust-Through	Lifetime

\*\*Sealed refrigeration system includes compressor, evaporator, condenser, dryer / strainer and connection tubing

### CUTOUT DIMENSIONS

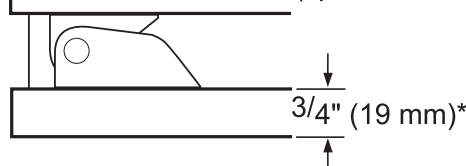


### TOP VIEW CLEARANCE



\*\* Door handle must be added to this dimension

\* Depends on the thickness of the furniture door. 3/4" (19 mm) is relevant for the stainless steel door. (special Accessory).



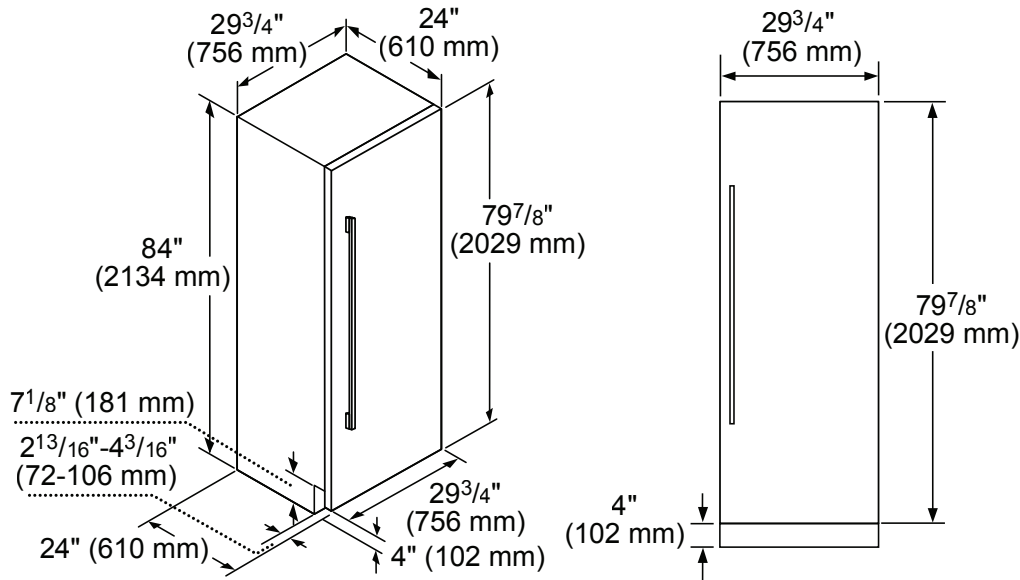
# T30IR900SP

## 30-INCH BUILT-IN FRESH FOOD COLUMN

FREEDOM® COLLECTION, PANEL-READY



### PANEL DIMENSIONS



### ACCESSORIES (OPTIONAL)

#### FLAT STAINLESS STEEL DOOR PANELS



TFL30IR800  
30-Inch Flat Stainless Steel Door Panel

#### STORAGE



SPRODBIN10  
Small Produce Bin



LPRODBIN10  
Large Produce Bin



30PRODRAIL  
30-Inch Produce Railing



30HFGALBIN  
30-Inch Half Gallon Bin

#### HANDLES

NOTE: Choose one handle for each column, choose 2 handles for each 2-door bottom freezer and choose 3 handles for each French Door bottom freezer.



PR36HNDL20  
36-Inch Professional Series Handle  
PR30HNDL20  
30-Inch Professional Series Handle



MS36HNDL20  
36-Inch Masterpiece® Series Handle  
MS30HNDL20  
30-Inch Masterpiece® Series Handle



PR36HNDL10  
36-Inch Professional Series Classic Handle  
PR30HNDL10  
30-Inch Professional Series Classic Handle



MS36HNDL10  
36-Inch Masterpiece® Series Classic Handle  
MS30HNDL10  
30-Inch Masterpiece® Series Classic Handle

#### HEATKIT10 AND HEATKIT20 FREEDOM® HEATER KIT

For installations where two appliances are installed side-by-side or instances where any appliances are installed less than 6" apart from another but not connected. The heater kit is also recommended for use with any installation in areas that are subject to humidity, or located next to an outside wall. HEATERKIT20 offers improved energy efficiency when compared to HEATKIT10.

These warranties give you specific legal rights and you may have other rights that vary from state to state. Full warranty and limited warranty from date of installation. For complete warranty details, refer to your Use & Care manual, or ask your dealer.

Specifications are for planning purposes only. Refer to installation instructions and consult your countertop supplier prior to making counter opening. Consult with a heating and ventilation engineer for your specific ventilation requirements. For the most detailed information, refer to installation instructions accompanying product or write to Thermador indicating the model number. Specifications are correct at time of printing. Thermador reserves the right to change product specifications or design without notice. Some models are certified for use in Canada. Thermador is not responsible for products that are transported from the U.S. for use in Canada.