

T36IR900SP

36-INCH BUILT-IN FRESH FOOD COLUMN

FREEDOM® COLLECTION, PANEL-READY



FEATURES & BENEFITS

- Freedom® Hinge enables true flush design
- The new Auto Door Opening provides the opening of the door with just a slight push or pull
- Delicate Produce Bins for expanded storage
- ThermaFresh System, Humidity and Temperature controlled drawers
- SoftClose® Drawers and Produce Bins for easy and controlled storage
- Sleek clean design for the perfect symmetry when paired with additional columns
- TFT control panel managing all your columns functions

TEMPERATURE RANGES

| | |
|-------------------------------|----------------------------------------|
| Refrigerator | 35°F (2°C) to 46°F (8°C) |
| Temperature Controlled Drawer | 32°F (0°C) to 46°F (8°C) |
| Deli Drawer | Just above 32°F (0°C) |
| Super Cool | 35.5°F (2°C) for approximately 9 hours |
| Energy Saving (Economy) Mode | 45°F (7°C) |

GENERAL PROPERTIES

| | |
|--------------------------------------------------|-----------------------------------------------|
| Panel Ready | Yes |
| Reversible Door Swing | Yes |
| SoftClose® Drawers | Yes |
| Carbon Air Filter | Yes |
| Lighting | New Bar ALL LED Sidewall and Theater Lighting |
| Full Width Shelves | 4 |
| Adjustable Shelves | 3 |
| Shelf Material | Glass w/Aluminum Profile |
| Full Extension Drawers @ 115° Door Opening Angle | Yes |
| Full Extension Drawers @ 90° Door Opening Angle | Yes |
| Temperature and Humidity Controlled Drawer | 1 |
| General Use Drawer | 1 |
| Door Bins | 2 |
| Gallon Door Bins | 1 |
| Delicate Produce Bins | 1 Small, 2 Large |
| Door Open Alarm | Yes |
| Open Door Assist | Yes |
| Special Modes | Sabbath, Economy, Vacation |

CAPACITY

| | |
|--------------------------------------------|--------------|
| Total Unit Gross Capacity (cu. ft.) – AHAM | 20.6 cu. ft. |
| Refrigerator Gross Capacity (cu. ft.) | 20.6 cu. ft. |

PERFORMANCE

| | |
|------------------------------------------|-----|
| Dedicated Evaporator & Compressor System | Yes |
| Freeflow® Cold Air System | Yes |
| SuperCool | Yes |

TECHNICAL DETAILS

| | |
|-------------------------|--------------|
| Watts (W) | 180 W |
| Current (A) | 15 A |
| Volts (V) | 120V-3 Prong |
| Frequency (Hz) | 60 Hz |
| Power Cord Length (in.) | 139 |
| Plug Type | 120V-3 Prong |

DIMENSIONS & WEIGHT

| | |
|----------------------------------------|------------------------------|
| Appliance Dimensions (H x W x D) (in.) | 83 3/4"* x 35 3/4" x 24 3/4" |
| Required Cutout Size (H x W x D) (in.) | 84" x 36" x 25" |
| Net / Gross Weight (lbs) | 462 / 491 lbs |

EFFICIENCY

| | |
|---------------------------|---------|
| ENERGY STAR® Qualified | Yes |
| Annual Energy Consumption | 313 kWh |

*Height adjustable + / -1/2" (+ / -13 mm)

T36IR900SP

36-INCH BUILT-IN FRESH FOOD COLUMN

FREEDOM® COLLECTION, PANEL-READY

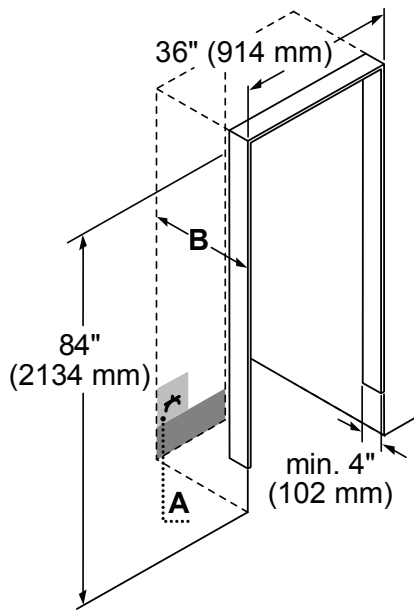


WARRANTY

| | |
|-------------------------------------------------------------------------------------------------------------------------|------------------|
| Limited, Entire Appliance, Parts and Labor on Any Part of the Refrigerator that Fails Because of a Manufacturing Defect | 2 Year |
| Limited Warranty for Sealed Refrigeration System**; Parts and Labor | 3rd to 6th Year |
| Limited Warranty for Sealed Refrigeration System**; Parts Only | 7th to 12th Year |
| Limited Warranty for Stainless Steel Rust-Through | Lifetime |

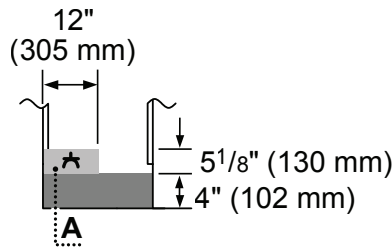
**Sealed refrigeration system includes compressor, evaporator, condenser, dryer / strainer and connection tubing

CUTOUT DIMENSIONS

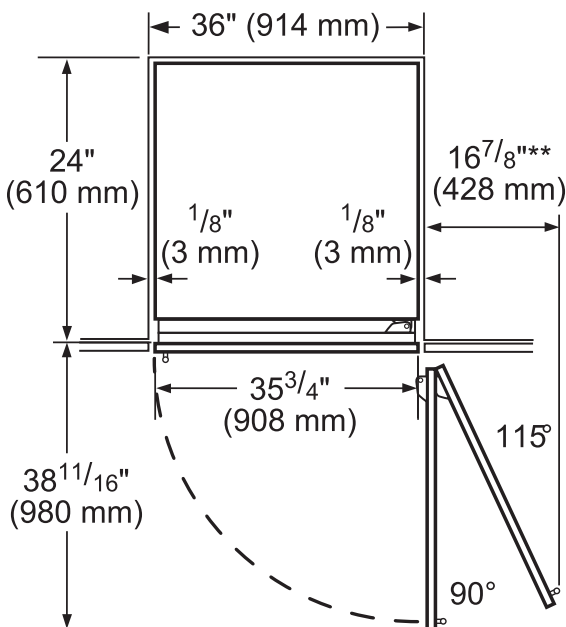


A: Area for installation of power connection.

B: Niche depth depends on kitchen design.

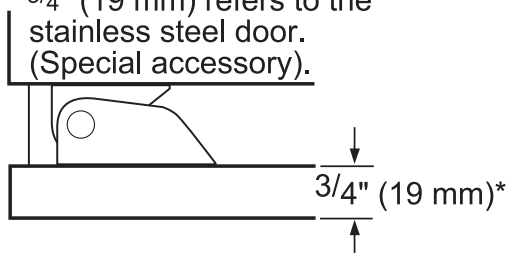


TOP VIEW CLEARANCE



** Door handle must be added to this measurement

* Depends on the thickness of the unit door.
3/4" (19 mm) refers to the stainless steel door. (Special accessory).



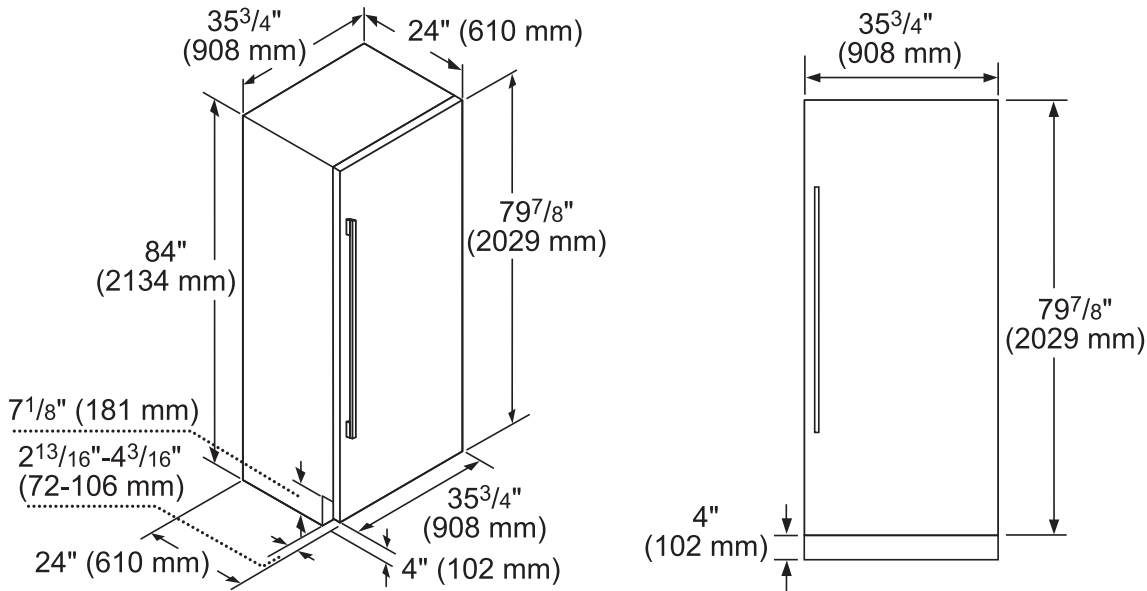
T36IR900SP

36-INCH BUILT-IN FRESH FOOD COLUMN

FREEDOM® COLLECTION, PANEL-READY



PANEL DIMENSIONS



ACCESSORIES (OPTIONAL)

STORAGE



SPRODBIN10
Small Produce Bin



LPRODBIN10
Large Produce Bin



36PRODRAIL
36-Inch Produce Railing



36HFGALBIN
36-Inch Half Gallon Bin

HANDLES

NOTE: Choose one handle for each column, choose 2 handles for each 2-door bottom freezer and choose 3 handles for each French Door bottom freezer.



PR36HNDL20
36-Inch Professional Series Handle
PR30HNDL20
30-Inch Professional Series Handle



MS36HNDL20
36-Inch Masterpiece® Series Handle
MS30HNDL20
30-Inch Masterpiece® Series Handle



PR36HNDL10
36-Inch Professional Series Classic Handle
PR30HNDL10
30-Inch Professional Series Classic Handle



MS36HNDL10
36-Inch Masterpiece® Series Classic Handle
MS30HNDL10
30-Inch Masterpiece® Series Classic Handle

HEATRKIT10 AND HEATRKIT20 FREEDOM® HEATER KIT

For installations where two appliances are installed side-by-side or instances where any appliances are installed less than 6" apart from another but not connected. The heater kit is also recommended for use with any installation in areas that are subject to humidity, or located next to an outside wall. HEATRKIT20 offers improved energy efficiency when compared to HEATRKIT10.

These warranties give you specific legal rights and you may have other rights that vary from state to state. Full warranty and limited warranty from date of installation. For complete warranty details, refer to your Use & Care manual, or ask your dealer.

Specifications are for planning purposes only. Refer to installation instructions and consult your countertop supplier prior to making counter opening. Consult with a heating and ventilation engineer for your specific ventilation requirements. For the most detailed information, refer to installation instructions accompanying product or write to Thermador indicating the model number. Specifications are correct at time of printing. Thermador reserves the right to change product specifications or design without notice. Some models are certified for use in Canada. Thermador is not responsible for products that are transported from the U.S. for use in Canada.