

36" Professional Series Pro Grand Commercial Depth Dual Fuel Range
PRD364NLGC



PRD364NLGC Stainless steel

INNOVATION

- Patented Pedestal Star® Burner with QuickClean Base® designed for easy surface cleaning and superior heat spread for any size pan
- Powerful 22,000 BTU (NG) burner (front right)
- Precision simmering capabilities as low as 100°F (375 BTU) with 4 ExtraLow® Simmer burners
- SoftClose® hinges for ultra smooth closing of the oven door
- Superfast 2-hour self-clean mode - fastest in the industry

PERFORMANCE

- 18,000 BTU (NG) Star® Burners
- Fusion coating surface non-stick, non-PTFE, rust-proof cast-aluminum removable griddle
- Electronic oven display interfaces to cook timer, CookControl™ meat probe and preheat status with audible alert
- Powerful, 8-pass bake and broil elements
- Third Element Convection offers precise airflow for cooking on multiple levels without flavor transfer
- Large oven 5.7 cu.ft.-accommodates commercial sheet pan
- Full Access® telescopic rack, with integrated easy-grip handle
- Six rack levels for multiple item cooking
- Star-K Kosher certified

DESIGN

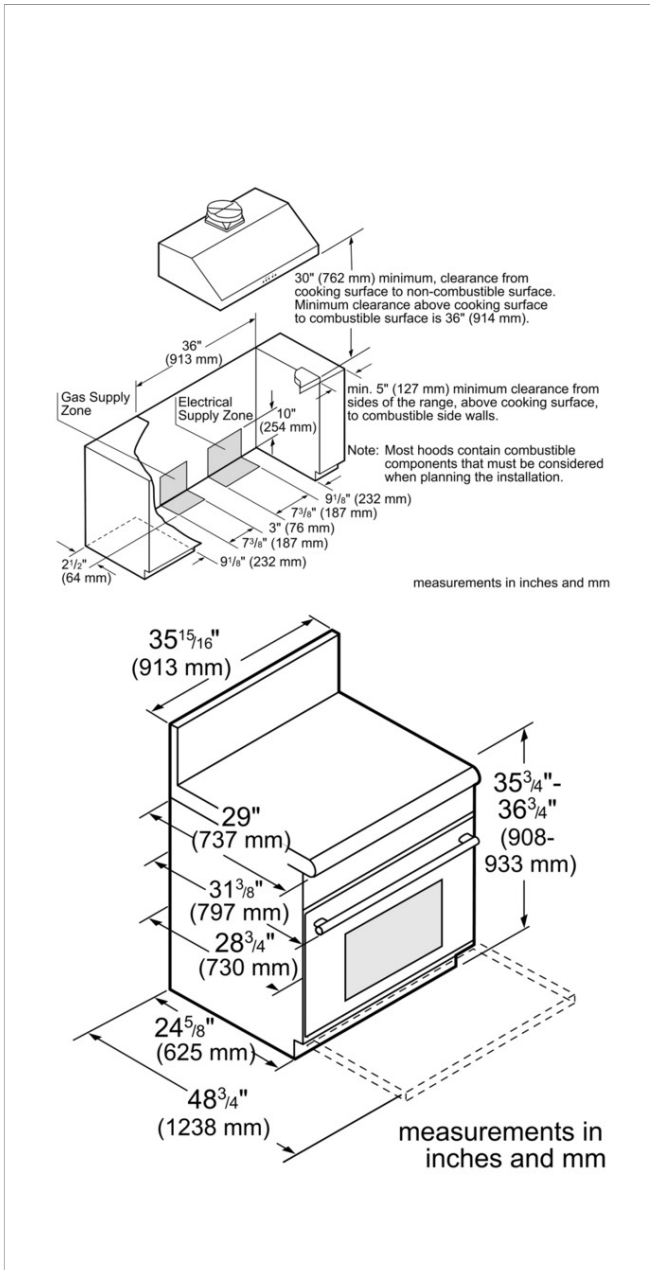
- Bold Professional design
- Pinhole and panel lighting concepts provide functional and stylish aesthetics
- Restaurant style metal knobs
- Professional style, continuous cast iron grates
- Continuous porcelain, easy to clean cooking surface
- Large oven door window for maximum viewing
- Powerful halogen lighting illuminates the oven cavity
- Hidden bake element makes clean-up one smooth surface
- Signature blue indicator lighting

Optional accessories

PA12CHPBLK 12" Professional Chopping Block Acc
PA12LCVRN 12" Professional Grill Cover Accessory
PA36JHSG 36" High Shelf for Pro Grand Ranges
PA36JLBG 36" Low Backguard for Pro Grand Ranges
PA36JTKG 36" Toe Kick for Pro Grand Ranges
PABRICKBKN Bk Briquettes and Basket for Pro Grill
PAGRIDDLE Professional Griddle Accessory
PAGRIDDLEN Pro Griddle Accessory for Grill Module
PAKNOBLUNG Blue Knob Kit for Pro Grand Ranges

825225908296

36" Professional Series Pro Grand Commercial Depth Dual Fuel Range PRD364NLGC



Product Features

Construction type: Freestanding
Product color: Stainless steel
Power cord length (cm): 137
Net weight (kg): 167.0
Gross weight (kg): 185.0

Consumption and connection features

Energy consumption conventional (kWh) - cavity 1:
Energy consumption forced air convection (kWh) - cavity 1:
Watts (W):
Current (A): 50
Volts (V): 240/208
Frequency (Hz): 60
Plug type: 240V-4 prong

2015-08-19