

INSTALLATION MANUAL

For Thermador Professional®
PRO-HARMONY™ Dual Fuel Ranges

MANUEL D'INSTALLATION

Pour toutes les cuisinières mixtes
Thermador Professional® PRO-HARMONY™

MANUAL DE INSTALACIÓN

Para Estufas de Todo Tipo de Gas Thermador
Professional® PRO-HARMONY™

Models/
Modèles /
Modelos:
PRD30
PRD36
PRD48

Thermador® | *An American Icon*™

Table of Contents

Safety Instructions	2
Important Installation Information	2
Step 1: Ventilation Requirements	3
Step 2: Cabinet Preparation	4
Step 3: Unpacking, Moving and Placing the Range	9
Step 4: Installing Anti-Tip Device	11
Step 5: Gas Requirements and Hookup	13
Step 6: Electrical Requirements, Connection & Grounding	14
Step 7: Backguard Installation	17
Step 8: Door Removal and Reinstallation	18
Step 9: Burner Test and Adjustment	19
Installer Checklist	20
To Clean and Protect Exterior Surfaces	20

This Thermador Appliance is made by
BSH Home Appliances Corporation
5551 McFadden Ave.
Huntington Beach, CA 92649

Questions?

1-800-735-4328

www.thermador.com

We look forward to hearing from you!

For Massachusetts Installations:

1. Installation must be performed by a qualified or licensed contractor, plumber or gas fitter qualified or licensed by the state, province or region where this appliance is being installed.
2. Shut-off valve must be a "T" handle gas cock.
3. Flexible gas connector must not be longer than 36 inches.



WARNING

If the information in this manual is not followed exactly, a fire or explosion may result causing property damage, personal injury or death.

- Do not store or use gasoline or other flammable vapors and liquids in the vicinity of this or any other appliance.
- **WHAT TO DO IF YOU SMELL GAS**
 - Do not try to light any appliance.
 - Do not touch any electrical switch.
 - Do not use any phone in your building.
 - Immediately call your gas supplier from a neighbor's phone. Follow the gas supplier's instructions.
 - If you cannot reach your gas supplier, call the fire department.
- Installation and service must be performed by a qualified installer, service agency or the gas supplier.



WARNING

- All Ranges can tip
- Injury to Persons could result
- Install Anti-Tip Device
- See Installation Instructions



TO REDUCE THE RISK OF TIPPING OF THE APPLIANCE, IT MUST BE SECURED BY A PROPERLY INSTALLED ANTI-TIP DEVICE. VERIFY THAT THE ANTI-TIP DEVICE IS ENGAGED PER INSTALLATION INSTRUCTIONS. (NOTE: ANTI-TIP DEVICE IS REQUIRED ON ALL 30" AND 36" RANGES).

Safety Instructions



Important Safety Instructions

READ AND SAVE THESE INSTRUCTIONS

APPROVED FOR ALL RESIDENTIAL APPLIANCES

FOR RESIDENTIAL USE ONLY

IMPORTANT: Save these Instructions for the Local Electrical and Gas Inspectors' use.

INSTALLER: Please leave these Instructions with this unit for the owner.

OWNER: Please retain these instructions for future reference.



WARNING

Disconnect power before installing. Before turning power **ON**, be sure that all controls are in the **OFF** position.

Important:

Local codes vary. Installation, gas connections and grounding must comply with all applicable codes.



WARNING:

Do not use a flame of any kind to check for gas leaks.

Disconnect power before installing. Before turning power **ON**, be sure that all controls are in the **OFF** position.

Note:

This Range is **NOT** designed for installation in manufactured (mobile) homes or for installation in Recreational Park Trailers.

Do Not install this range outdoors.

Important Installation Information

GAS type verification

Verify the type of gas supplied to the location. Ensure that the appliance is connected to the type of gas for which it is certified. All models are certified for use with natural gas. Field conversion of the appliance for use with propane gas supply will require a conversion kit.



WARNING:

To avoid possible burn or fire hazard, a backguard designed specifically for this range must be installed whenever the range is used.

Refer to "Chart C: Backguard Kit Model Numbers" on page 18, for the correct backguard models that are designed for this range. After selecting the correct backguard, the range must be installed properly, using the minimum clearances to combustible surfaces specified in the Cabinet Preparation instructions on page 4.

Important:

- A backguard must be utilized when there is less than a 12" horizontal clearance between combustible materials and the back edge of the range. A Thermador backguard must be ordered separately and installed at the rear of the range (A Low Back is supplied with 30" model). For island installations and other installations with more than 12" clearance, an optional stainless steel Island Trim is available to cover the backguard mounting flanges.
- Verify that the appliance is correct for the type of gas being provided. Refer to "Step 5: Gas Requirements and Hookup" on page 13 before proceeding with the installation.

This appliance has been tested in accordance with ANSI Z21.1, Standard for Household Cooking Appliances (USA) and in accordance with CAN 1.1-M81 Domestic Gas Ranges (Canadian).

It is strongly recommended that this appliance be installed in conjunction with a suitable **overhead vent hood**. (See "Step 1: Ventilation Requirements" on page 3.) Due to the

high heat capability of this unit, particular attention should be paid to the hood and duct work installation to assure it meets local building codes.

Check local building codes for the proper method of appliance installation. Local codes vary. Installation, electrical connections and grounding must comply with all applicable codes. In the absence of local codes the appliance should be installed in accordance with the National Fuel Gas Code ANSI Z223.1/NFPA 54 current issue and National Electrical Code ANSI/NFPA 70-current issue. In Canada, installation must be in accordance with the CAN 1-B149.1 and .2 – Installation Codes for Gas Burning Appliances and/or local codes.

Gas Supply:

Natural Gas — 6 inch water column. (14.9 mb) min., 14 inch (34.9 mb) maximum

Propane Gas — 11 inch water column. (27.4 mb) min., 14 inch (34.9 mb) maximum

Electric Power Supply:

(See page 14 for specifications.)



CAUTION:

When connecting the unit to propane gas, make certain the propane gas tank is equipped with its own high-pressure regulator in addition to the pressure regulator supplied with the range. **The maximum gas pressure to this appliance must not exceed 14.0 inches water column (34.9 mb) from the propane gas tank to the pressure regulator.**



CAUTION:

This unit is designed as a cooking appliance. Based on safety considerations, never use it for warming or heating a room.

This appliance complies with one or more of the following standards:

- UL 858, Standard for the Safety of Household Electric Ranges
- UL 923, Standard for the Safety of Microwave Cooking Appliances
- UL 507, Standard for the Safety of Electric Fans
- ANSI Z21.1, American National Standard for Household Cooking Gas Appliances
- CAN/CSA-C22.2 No. 113-M1984 Fans and Ventilators
- CAN/CSA-C22.2 No. 61-M89 Household Cooking Ranges

It is the responsibility of the owner and the installer to determine if additional requirements and/or standards apply to specific installations.

Due to the high heat of the cooktop burners, installing a microwave oven with a ventilation system over the cooktop is not recommended.



CAUTION:

To eliminate risk of burns or fire caused by reaching over heated surface units, cabinet storage located above the surface units should be avoided.

Step 1: Ventilation Requirements

It is **strongly recommended** that a suitable exhaust hood be installed above the range. Downdraft ventilation should not be used. The Table on page 4 indicates the ventilation hood options and blower capacity guidelines that are recommended for use with all Thermador ranges.

1. Select Hood and Blower Models:

- For wall installations, the hood width must, at a minimum, equal the width of the range cooking surface. Where space permits, a hood larger in width than the cooking surface may be desirable for improved ventilation performance.
- For island installations, the hood width should overhang the range cooking surface by a minimum of 3" on each side.

Important:

Ventilation hoods and blowers are designed for use with single wall ducting. However, some local building codes or inspectors may require double wall ducting. Consult local building codes and/or local agencies, before starting, to assure that hood and duct installation will meet local requirements.

Do not install a microwave oven/ventilator combination above the range, as these type of units do not provide the proper ventilation and are not suitable for use with the range.

2. Hood Placement:

- For best smoke elimination, the lower edge of the hood should be installed 30" above the range cooking surface. (See Figure 1).
- If the hood contains any combustible materials (i.e. a wood covering), it must be installed a minimum of 40" above the cooking surface.

NOTICE:

Most range hoods contain combustible components which must be considered when planning the installation.

3. Consider Make-Up Air:

- Due to the high volume of ventilation air, a source of outside replacement air is recommended. This is

particularly important for tightly sealed and insulated homes.

- A qualified heating and ventilating contractor should be consulted.

Range Width	Range Top Configuration	Minimum Recommended Blower Capacity*	Ventilation Options
30"	4 burners	800 CFM	30" or 36" Pro Wall Hood 30" or 36" Custom Insert w/ optional blower 42" Island Hood w/ optional blower
36"	4 burners with griddle	1,000 CFM	36" or 42" Pro Wall Hood 36" Custom Insert w/ optional blower
	6 burners	1,100 CFM	42" or 48" Island Hood w/ optional blower
48"	6 burners with griddle	1,300 CFM	48"*** or 54" Pro Wall Hood 48" Custom Insert w/ optional blower 54" Island Hood w/ optional blower

Important Notes:

It is recommended that a Thermador Professional wall or island hood or custom insert is used with Thermador Professional Ranges.

The HPWB Professional Series Wall Hoods or the Professional Series Custom Inserts are recommended ventilation solutions for these ranges. The PH Professional Series Wall Hoods are also a viable option, however the 27" depth of the PH series may not be suitable to all applications.

Refer to www.thermador.com for a complete selection of Professional Ventilation options, Blowers, and Accessories.

* For high output gas ranges (60,000 BTU or greater), the minimum of one (1) CFM of ventilation per 100 BTU is recommended. If the range has a griddle, add 200 CFM to the estimated blower capacity. Additional blower capacity may be required for longer duct runs.

For island applications, it is recommended to use a hood width that exceeds the width of the range by 6" (overlapping the range by a minimum of 3" on each end).

**Not all 48" Pro Wall Hood models can accommodate a 1,300 CFM blower option.

CFM = "cubic feet per minute" (standard blower capacity rating).

Step 2: Cabinet Preparation

1. The range is a free standing unit. If the unit is to be placed adjacent to cabinets, the clearances shown in Figure 1 are required. The same clearances apply to island installations, except for the overhead cabinets, which must have a space wide enough to accept the flared island hood, as indicated in Figure 1.
2. These ranges may be recessed into the cabinets beyond the edge of the front face of the oven (See Figure 2 and Figure 3b).



CAUTION

In these installations, the door and cabinet can cause a pinching hazard.

3. The gas and electrical supply should be within the zones shown in Figure 3a.

Note:

The maximum depth of over head cabinets installed on either side of the hood is 13".

A 40-inch minimum clearance is required between the top of the cooking surface and the bottom of an unprotected cabinet. A 30-inch clearance can be used when the bottom of the wood or metal cabinet is protected by not less than 1/4 inch of a flame retardant material covered with not less

than No. 28 MSG sheet steel, 0.015 inch (0.4 mm) thick stainless steel, 0.024 inch (0.6 mm) aluminum, or 0.020 inch (0.5 mm) thick copper. Flame retardant materials bear the following mark:

**UNDERWRITERS LABORATORIES INC. CLASSIFIED
MINERAL AND FIBER BOARDS SURFACE BURNING
CHARACTERISTICS**

Followed by the flame spread and smoke ratings. These designations are shown as "FHC (Flame Spread/Smoke Developed)." Materials with "O" flame spread ratings are flame retardant. Local codes may allow other flame spread ratings.

4. Any openings in the wall behind the range and in the floor under the range must be sealed.
5. When there is less than a 12" horizontal clearance between combustible material Δ and the back edge of

the range above the cooking surface, a Thermador Low Back or Pot and Pan Shelf must be installed. (See Figure 2). When clearance to combustible material Δ is over 12", a Thermador Flush Island Trim may be used. Figure 2 indicates the space required for each type of backguard.

6. Always keep appliance area clear and free from combustible materials, gasoline and other flammable vapors and liquids.
7. Do not obstruct the flow of combustion and ventilation air to the unit.
8. A (10) inch minimum clearance is needed when the range is installed beside a combustible side wall.

Δ As defined in the "National Fuel Gas Code" (ANSI Z223.1, Current Edition).

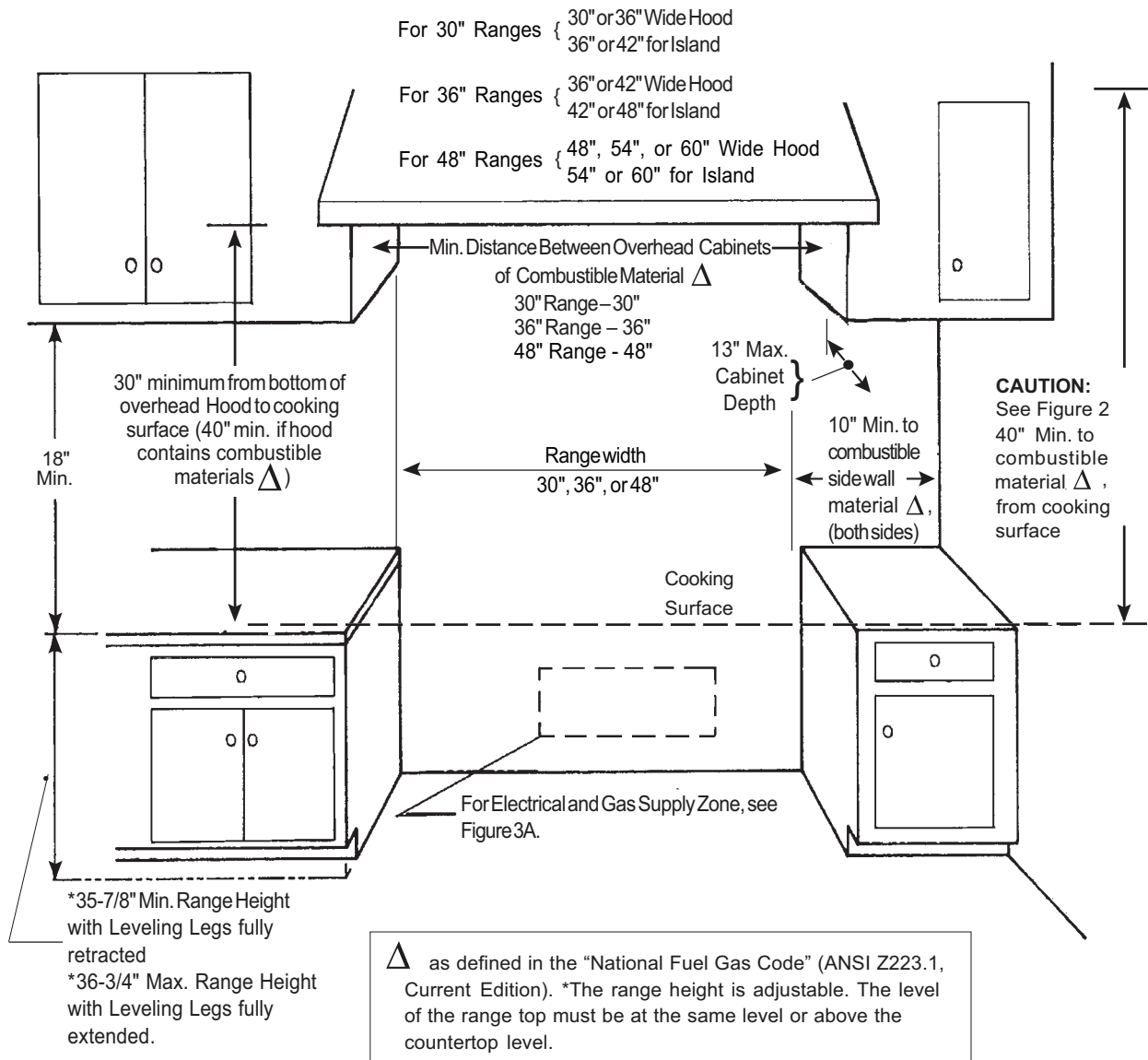
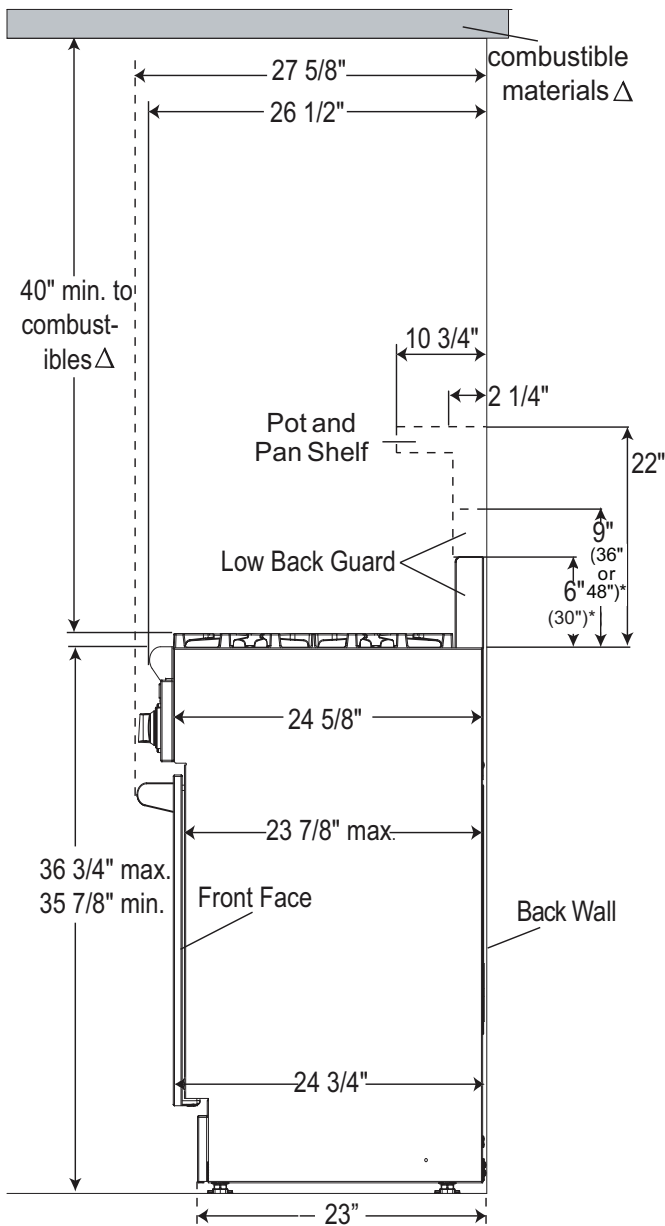
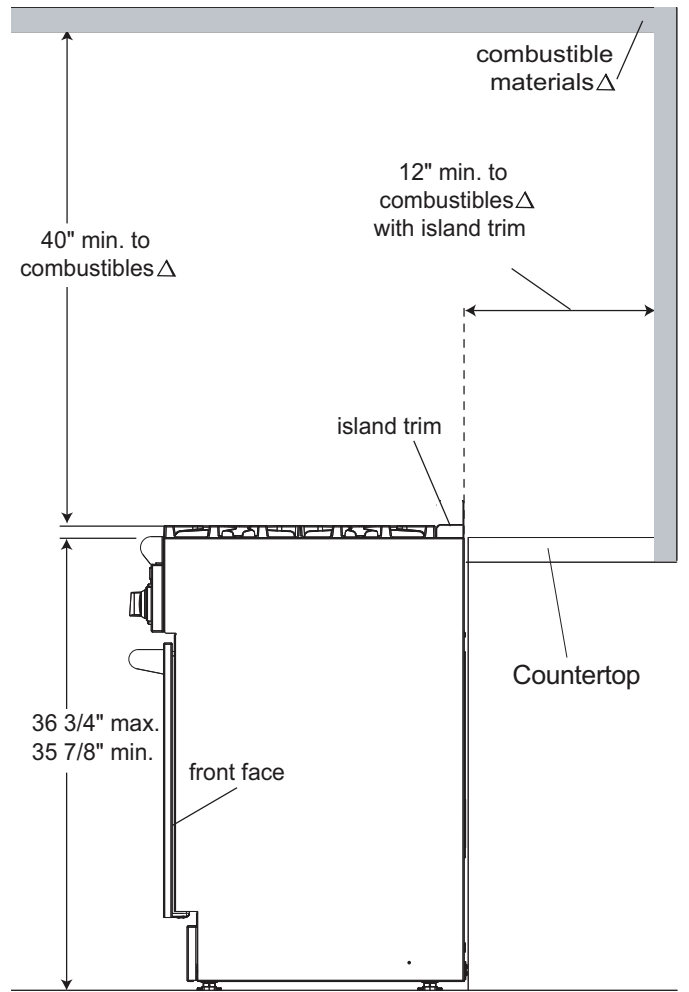


Figure 1: Cabinet Clearances



**INSTALLATION WITH "LOW BACK"
OR "POT AND PAN SHELF"**



INSTALLATION WITH "FLUSH ISLAND TRIM"

△ as defined in the "National Fuel Gas Code"
(ANSI Z223.1, Current Edition).

Figure 2: Side View

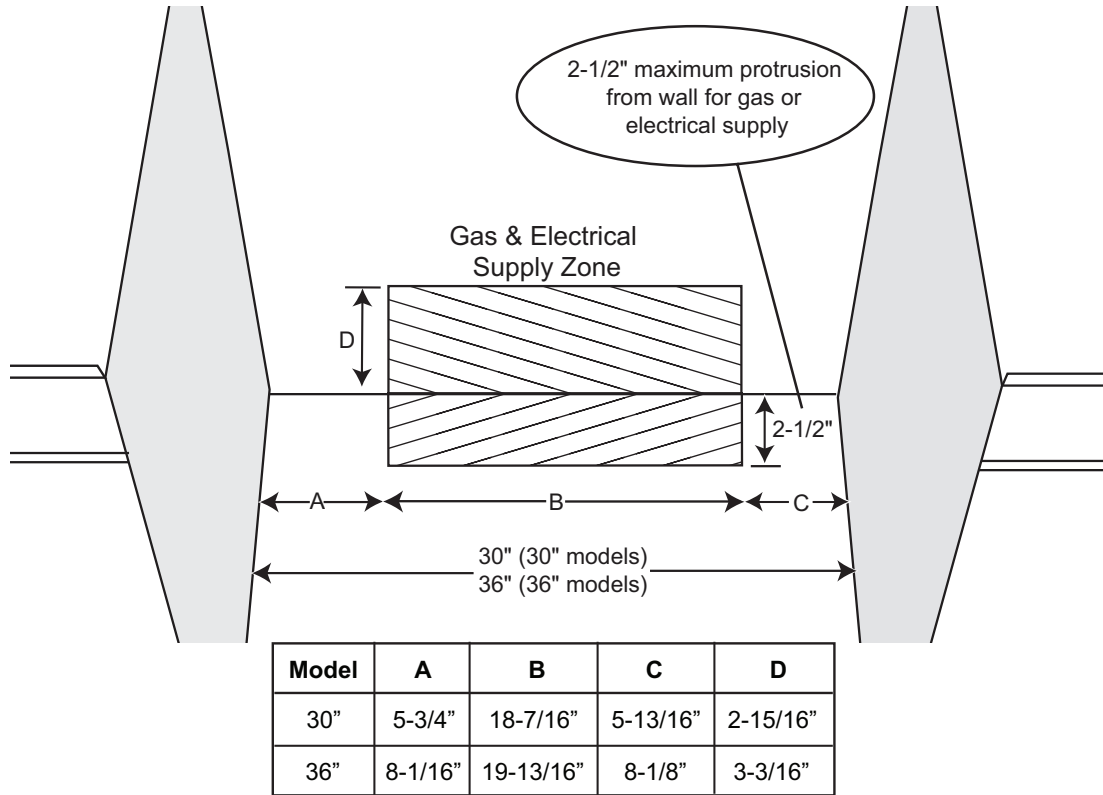
* Refers to 30", 36" and 48" range models.

Note:

With the oven door fully open, the top of the door extends to 44-7/8" from the back wall, behind the range when installed. Installation must allow ample clearance for movement around the door when fully opened.

Gas and Electric Supply

Gas & Electrical Supply Locations for 30" and 36" Dual Fuel Ranges



Gas & Electrical Supply Locations for 48" Dual Fuel Ranges

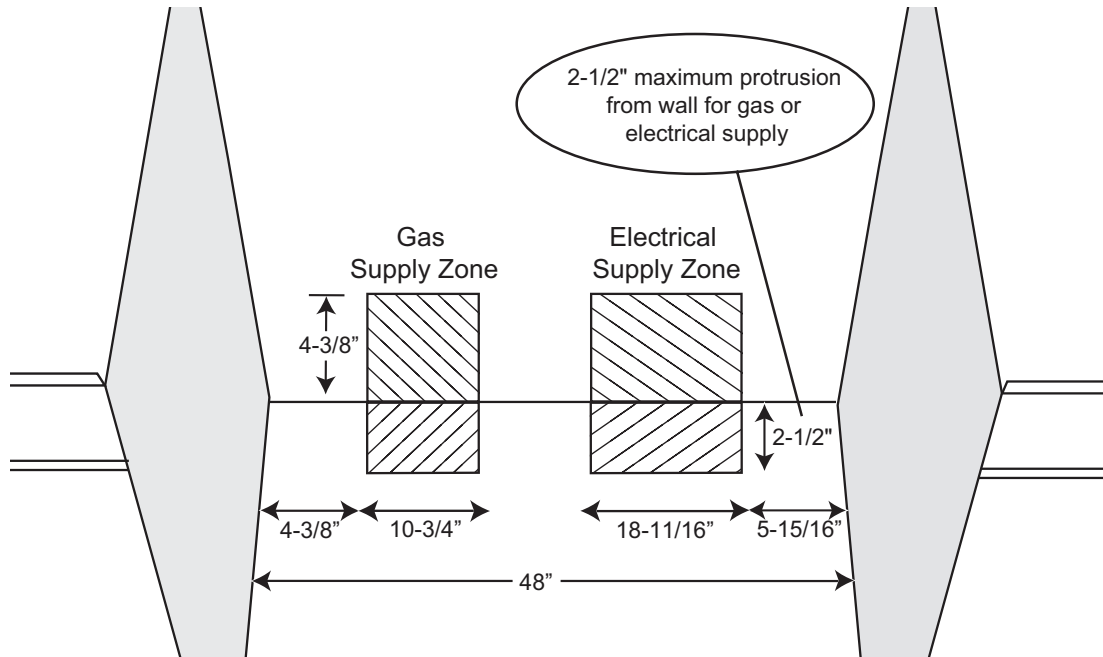


Figure 3a: Gas & Electrical Supply Locations for Dual Fuel Ranges

Note:

If not already present, install gas shut-off valve in an easily accessible location. Make sure all users know where and how to shut off the gas supply to the range.

Note:

The installer should inform the consumer of the location of the gas shut-off valve.

Note:

Any opening in the wall behind the appliance and any opening in the floor under the appliance must be sealed.

The dual fuel ranges may be connected to the power supply with a range supply cord kit or by hard-wiring to the power supply. It is the responsibility of the installer to provide the proper wiring components (cord or conduit and wires) and complete the electrical connection as dictated by local codes and ordinances, and/or the National Electric Code. The units must be properly grounded. Refer to Step 6 for details. Canadian models have power cord supplied.

The range must be connected only to the type of gas for which it is certified. If the range is to be connected to propane gas, ensure that the propane gas supply tank is equipped with its own high pressure regulator in addition to the pressure regulator supplied with the range. (See Step 5.)

Note:

The range is designed for flush installation to the back wall. For a successful installation, it may be necessary to reposition the gas-supply line and electrical cord as the range is pushed back to its final position.

SUGGESTION: This may be accomplished by carefully pulling on a rope or twine looped around the gas or electrical supply line as the range is pushed back into its final installed position.

Electrical Supply

Installation of the range must be planned so that rough-in of junction box for the receptacle or conduit connection will allow maximum clearance to the rear of the unit.

When the power supply cord or conduit is connected to the mating receptacle or junction box cover, the combined plug/receptacle or junction box cover/conduit connector should protrude no more than 2-1/2" from the rear wall. See Figure 3b.

Refer to Figure 10 and Figure 11 on page 15 for location of junction box on unit. To minimize binding when the unit is connected to the receptacle or junction box, orient the receptacle or conduit connector, and slide back into position.

Note:

Canadian models have power cord supplied with range.

Note:

When using a 240VAC receptacle having its own housing, it will be necessary to recess the receptacle's housing into the rear wall. Mount the receptacle securely to a wall stud, then seal around the receptacle's housing. Follow all local electrical codes.

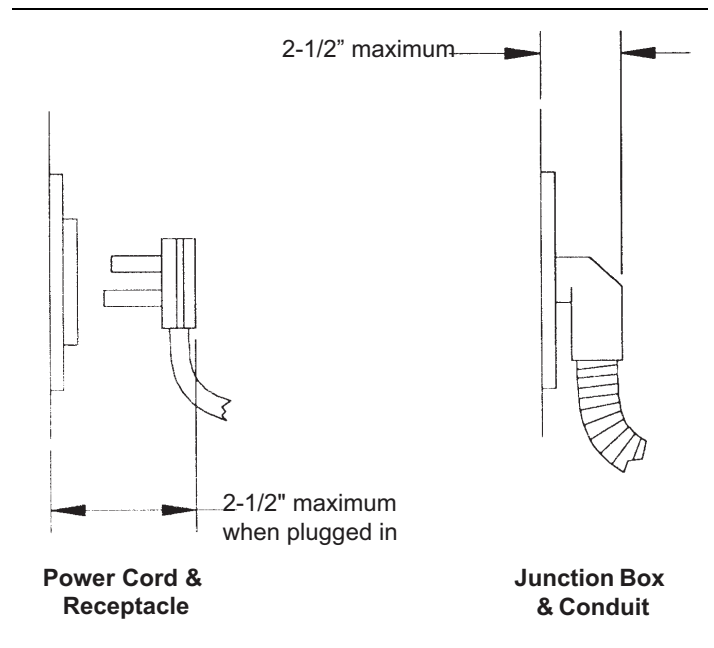


Figure 3b: Wall Connection

Step 3: Unpacking, Moving and Placing the Range



CAUTION

Proper equipment and adequate manpower must be used in moving the range to avoid injury, and to avoid damage to the unit or the floor. The unit is heavy and should be handled accordingly.

- The range has an approximate shipping weight as shown in Chart A. It is recommended that the grates, griddle plate and frame, burner caps, front kick panel and oven racks be removed to facilitate handling. This will reduce the weight as shown in Chart A and allow the range to pass through 30" doorways. See Figure 2 on page 7. **Do not remove the griddle assembly.**
- Remove the outer carton and packing material from the shipping base. The dual fuel ranges are held to the pallet by four (4) bolts (see Figure 4). After removing

the bolts, the range must be lifted and removed from the pallet.

Important:

DO NOT lift the range by the oven door handle, as this may damage the door hinges and cause the door to fit incorrectly to the oven cavity.

Chart A	30" Range	36" Range	48" Range
Shipping Weight	351 lbs.	371 lbs.	499 lbs.
Weight without packing materials	228 lbs.	270 lbs.	403 lbs.
Without doors, burner caps, front kick panel and oven racks	185 lbs.	221 lbs.	318 lbs.

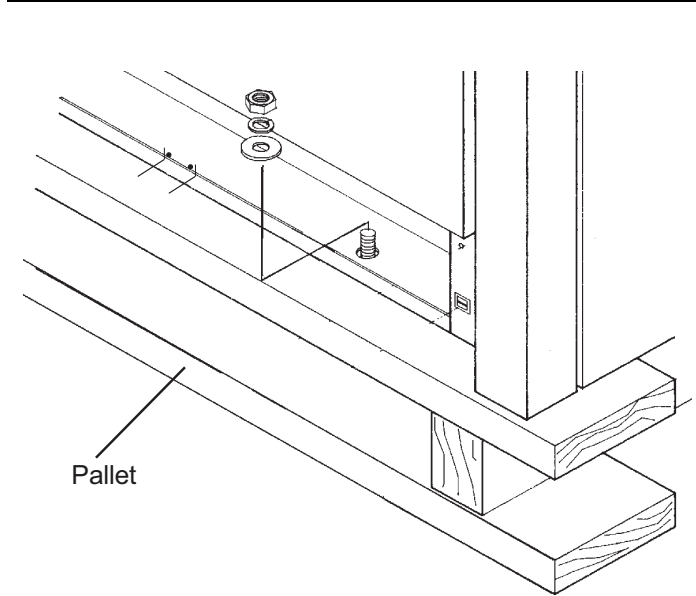


Figure 4: Removal of the Four (4) Shipping Bolts

Note:

Leave adhesive-backed foam layer over brushed-metal surfaces, to protect finish from scratches, until the range is installed in final position.

- Due to the weight, a dolly with soft wheels should be used to move this unit. The weight must be supported uniformly across the bottom (See Figure 5).
- After transporting the range by dolly close to its final location, the range can be tipped back and supported on the rear legs while the dolly is carefully removed. **THE FLOOR UNDER THE LEGS SHOULD BE**

PROTECTED BEFORE PUSHING THE UNIT INTO POSITION. The anti-tip device must be installed (Step 4), gas and electrical connections should be made (Step 5 and Step 6), and the backguard installed (Step 7) before the range is placed in its final position.

- For proper performance, the **range must be level.** (This is very important for all products that have the griddle feature.) The range is leveled by adjusting the legs with a wrench.
- Replace the kick panel. **It is important that the screws retaining the kick panel are secure to prevent accidental access to hot surfaces.**
- Ensure that the burner caps are correctly seated on the burner bases of the range's cooktop.

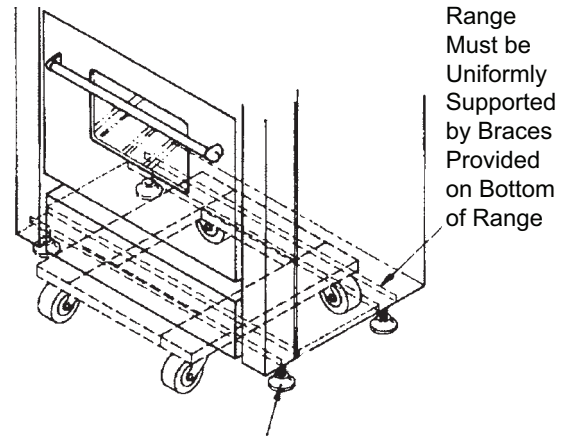


Figure 5: Dolly Positioning

- Remove all tape and packaging before using the appliance. Destroy the packaging after unpacking the appliance. Never allow children to play with packaging material.

Important:

DO NOT lift the range by the oven door handle, as this may damage the door hinges and cause the door to fit incorrectly to the oven cavity.

Griddle Tilt Adjustment (Not All Models)

If the range is equipped with an electric griddle, check the griddle frame adjustment by pouring two tablespoons of water on the back of the griddle plate. The water should slowly roll into the grease tray. If not, adjust the two screws under the back of the frame. Start with one half turn counterclockwise (CCW) of the screws. Further adjustment should be made by one-quarter turn until water slowly flows into the grease tray.

Step 4: Installing Anti-Tip Device

For 30" and 36" ranges, an anti-tip device must be installed as per these instructions.



WARNING - RANGE TIPPING HAZARD

- All ranges can tip and injury can result. To prevent accidental tipping of the range, attach it to the floor, wall or cabinet by installing the Anti-Tip Device supplied.
- A risk of tip-over may exist if the appliance is not installed in accordance with these instructions.
- If the range is pulled away from the wall for cleaning, service or any other reason, ensure that the Anti-Tip Device is properly reengaged when the range is pushed back against the wall. In the event of abnormal usage (such as a person standing, sitting, or leaning on an open door), failure to take this precaution can result in tipping of the range. Personal injury might result from spilled hot liquids or from the range itself.



WARNING - ELECTRICAL SHOCK HAZARD

- Use extreme caution when drilling holes into the wall or floor. There may be concealed electrical wires located behind the wall or under the floor.
- Identify the electrical circuits that could be affected by the installation of the Anti-Tip Device, then turn off power to these circuits.
- Failure to follow these instructions may result in electrical shock or other personal injury.

WARNING:

- All Ranges can tip
- Injury to Persons could result
- Install Anti-Tip Device
- See Installation Instructions

ATTENTION - PROPERTY DAMAGE

- Contact a qualified installer or contractor to determine the proper method for drilling holes through the wall or floor material (such as ceramic tile, hardwood, etc.)
- Do not slide the range across an unprotected floor.
- Failure to follow these instructions may result in damage to wall or floor coverings.

Tools Needed for Installation of Anti-Tip Device:

- Screwdriver, Phillips
- Drill, electric or hand
- Measuring tape or ruler
- 1/8" drill bit (wood or metal wall or floor)
- Hammer
- Pencil or other marker
- 3/16" carbide-tipped masonry drill bit (concrete or concrete block wall or floor)
- 3/16" anchors, drywall or concrete, 4 each (not required if mounting bracket is being attached to solid wood or metal)

For 30" and 36" Dual Fuel Ranges (Figure 6 and Figure 7)

Thermador Service Part No.	Qty	Description
415078	4	Screw, Phillips, #10 x 1-1/2"
647936	1	Anti-Tip Bracket, Floor-Mounted

Important Installation Information:

- The anti-tip bracket may be attached to a solid wood cabinet having a minimum wall thickness of 3/4".
- The thickness of the wall or floor may require use of longer screws, available at your local hardware store.
- In all cases, at least two (2) of the bracket mounting screws must be fastened to solid wood or metal.
- Use appropriate anchors when fastening the mounting bracket to any material other than hard-wood or metal.

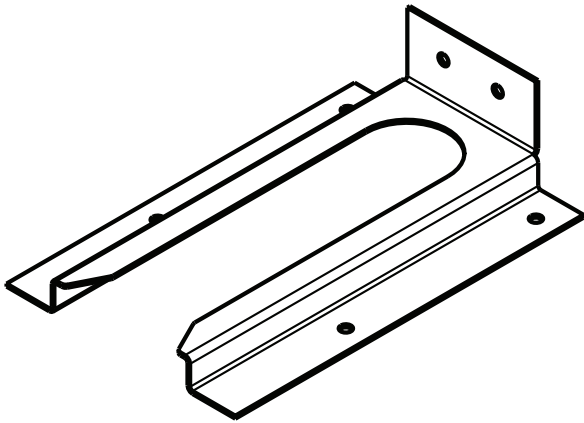


Figure 6: Anti-tip Bracket

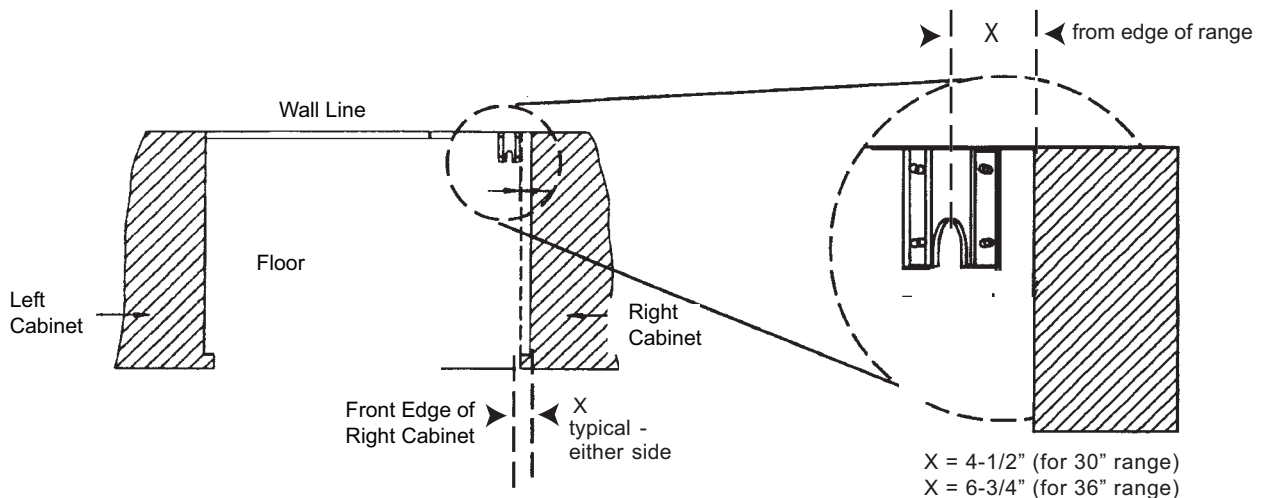


Figure 7: Placement of Anti-Tip Bracket (Top View)

- Prepare holes at fastener locations as identified below:
 - For walls, wall studs, or floors composed of solid wood or metal, drill 1/8" pilot holes.
 - For walls or floors composed of drywall, sheet-rock or other soft materials, drill 3/16" holes to a minimum depth of 1-3/4", then tap plastic anchors into each of the holes using a hammer.
 - For walls or floors composed of concrete or concrete block, drill 3/16" holes to a minimum depth of 1-3/4", then tap concrete anchors into each of the holes using a hammer.
 - For walls or floors having ceramic tile covering, drill 3/16" holes through the tile only, then drill into the material behind the tile as indicated immediately above.
- If the range is moved to a new location, the Anti-Tip Device must be removed and reinstalled.

Mounting Anti-Tip Bracket

The alternative floor mounted bracket shall be installed as follows:

1. Place bracket on floor in position shown in Figure 7 (Bracket may be used in either corner of the installation area).
2. Secure to floor or wall stud.
3. Later, when the unit is installed, the adjustable leg will slide under the bracket.

Step 5: Gas Requirements and Hookup

Verify the type of gas being used at the installation site.

The appliance is shipped from the factory for use with natural gas. It must be converted for use with propane. A qualified technician or installer must do the conversion. Make certain the range matches the type of gas available at this location.

For installation of the appliance at high altitude, please consult your local gas company for their recommendation of the correct orifice sizes and any other necessary adjustments that will provide proper gas combustion at specified altitudes.

The field conversion kit for this series of Dual Fuel Ranges is Thermador Model PALPKITHC. Obey all instructions in this kit for correct conversion of the gas regulator and settings for the gas valves.



CAUTION

When connecting unit to propane gas, make certain the propane gas tank is equipped with its own high pressure regulator in addition to the pressure regulator supplied with the appliance. The pressure of the gas supplied to the appliance regulator must not exceed 14" (34.9 mb) water column.

Natural Gas Requirements:

Inlet Connection:	1/2" NPT internal (Minimum 3/4" dia. flex line)
Supply Pressure:	6" min. to 14" max. water column (14.9 to 34.9 mb)
Manifold Pressure:	5" water column (12.5 mb)

Propane Gas Requirements:

Inlet Connection:	1/2" NPT internal (Minimum 3/4" dia. flex line)
Supply Pressure:	11"min. to 14"max. water column (27.4 mb to 34.9 mb)
Manifold Pressure:	10" water column (24.9 mb)



WARNING

Gas line must not come in contact with any components inside back cover of range.

Hook Up

- A manual gas shut-off valve must be installed external to the appliance, in a location accessible from the front, for the purpose of shutting off the gas supply. The supply line must not interfere with the back of the unit. Make sure the gas supply is turned off at the manual shut-off valve before connecting the appliance.
- The range is supplied with its own pressure regulator that has been permanently mounted within the range body.
- Use 3/4" flex line to connect between the gas supply and the appliance gas inlet. The gas supply line connection is located at the lower right portion of all range models. (See Figure 8 and Figure 9). The appliance gas inlet connection is 1/2" NPT. Use caution to avoid crimping the 3/4" flex line when making bends. Suggested length of flex line is 48"; however, please check local codes for your area's requirements before installation.
- The gas supply connections shall be made by a competent technician and in accordance with local codes or ordinances. In the absence of local codes, the installation must conform to the National Fuel Gas Code ANSI Z223.1/NFPA54- current issue.
- Always use pipe sealing compound or Teflon® tape on the pipe threads, and be careful not to apply excessive pressure when tightening the fittings.
- Leak testing of the appliance shall be in accordance with the following instructions.
 - Turn on gas and check supply line connections for leaks using a soap and water solution.
 - Bubbles forming indicate a gas leak. Repair all leaks immediately after finding them.



WARNING

Do not use a flame of any kind to check for gas leaks.



CAUTION

The appliance must be isolated from the gas supply piping system by closing its individual manual shut-off valve during any pressure testing of the gas supply piping system at test pressures equal to or less than 1/2 psig (3.5 kPa.).

The appliance and its individual shut off valve must be disconnected from the gas supply piping system during any pressure testing of the system at test pressures in excess of 1/2 psig (3.5 kPa.). When checking the manifold gas pressure, the inlet pressure to the regulator should be at least 6" W.C. (14.9 mb) for natural gas or 11" W.C. (27.4 mb) for propane.

Do not attempt any adjustment of the pressure regulator.

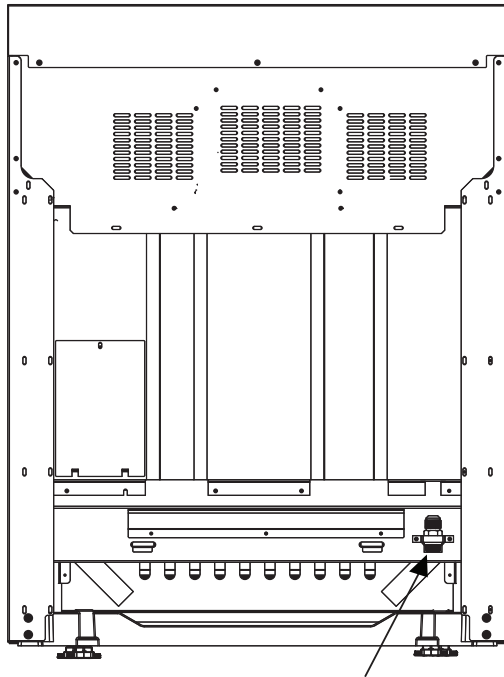


Figure 8: Location of Gas Supply Inlet Connection on 30" and 36" Ranges

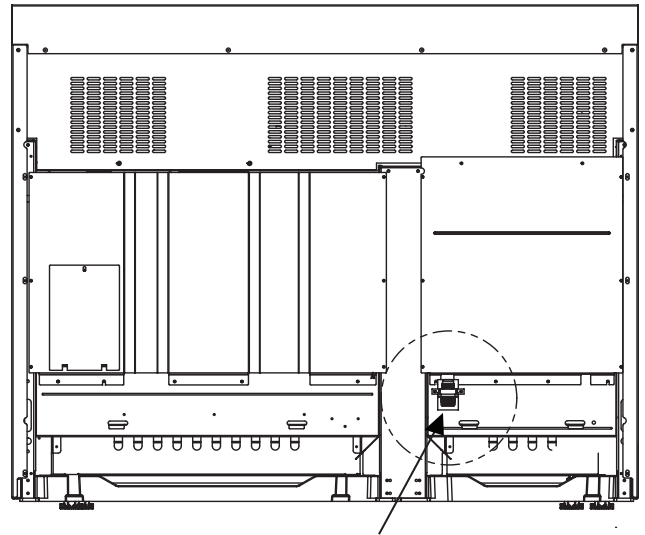


Figure 9: Location of Gas Supply Inlet Connection on 48" Ranges

Step 6: Electrical Requirements, Connection & Grounding

- Prior to servicing appliance, always disconnect appliance electrical supply cord, if so equipped, from wall receptacle. If appliance is hard-wired to power supply, disconnect power to unit by turning off the proper circuit breaker or disconnecting the proper fuse. Lock service panel to prevent power from being turned **ON** accidentally.

Dual Fuel range models can be connected or hardwired to the power supply as described on page 15.

Chart B: Electrical Supply Circuit Requirements

MODEL TYPE	VOLTAGE	CIRCUIT RATING	FREQUENCY	PHASE
30"	240/208 VAC	35 Amps	60 Hz.	Single
36"	240/208 VAC	35 Amps	60 Hz.	Single
48"	240/208 VAC	50 Amps	60 Hz.	Single

- A neutral supply wire must be provided from the power source (breaker/fuse panel) because critical range components, including the surface burner spark re-ignition module, require 120 VAC to operate safely and properly. An improper 120/ 240 VAC power supply will cause malfunction, damage this appliance, and

possibly create a condition of shock hazard. If the correct power supply circuit is not provided, it is the responsibility and obligation of the installer and user to have proper power supply connected. This must be accomplished in accordance with all applicable local codes and ordinances by a qualified electrician. In the

absence of local codes and ordinances, the power supply connection shall be in accordance with the National Electric Code.

- Observe all governing codes and ordinances when grounding. In the absence of these codes or ordinances observe National Electrical Code ANSI/NFPA No. 70 current issue. See page 16 for grounding method.
- Electrical wiring diagrams and schematics have been placed in the toe kick area of the range for access by a qualified service technician.
- The Dual Fuel Ranges may be connected to a 240/208 VAC power supply.

The range must be connected to the power supply utilizing one of the following methods. For all methods of connection, the length of the cord or conduit/wiring must allow the unit to be slid completely out of the cabinet without having to unplug or disconnect the unit from the power supply. Recommended minimum free length of cord or conduit is four feet. Electrical installations and grounding must be in accordance with all local codes and ordinances, and/or the National Electric Code, as applicable.

- **4-CONDUCTOR CORD** — NORMALLY, A UNIT MUST BE CONNECTED TO THE POWER SUPPLY WITH A 3-POLE, 4-CONDUCTOR CORD KIT RATED 125/250 VOLTS, 50 AMPERES, AND MARKED FOR USE WITH RANGES. The cord kit must be attached to the range junction box with a strain relief which will fit a 1" diameter hole. If not already equipped, the cord must have 1/4" faston closed-loop lugs attached to the free ends of the individual conductors, preferably soldered in place.
- **PERMANENT CONNECTION (HARD WIRING)** — Units may be hard wired to the power supply. The installer must provide approved flexible aluminum conduit, 3/4" trade size, maximum 6 feet long. Locate the junction box on the rear of the unit and remove cover. Refer to Figure 10. Remove the ground strap retaining screw and bend the ground strap up. Refer to Figure 14. The conduit must be installed to the junction box using an approved conduit connector. Wiring for the unit is to be brought into the junction box through the conduit. The ends of the wiring must have 1/4" faston closed-loop lugs attached, preferably soldered in place. Make the connections to the terminal

block provided. Secure the ground lead to the junction box with the screw previously used to secure the ground strap. Refer to Figure 13. The free end of the conduit must be connected to a junction box provided in the gas and electrical supply zone, as shown in Figure 3a on page 8.

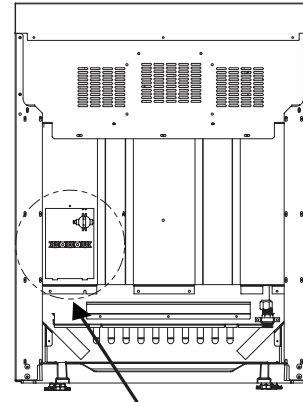


Figure 10: Location of Junction Box on 30" and 36" Ranges

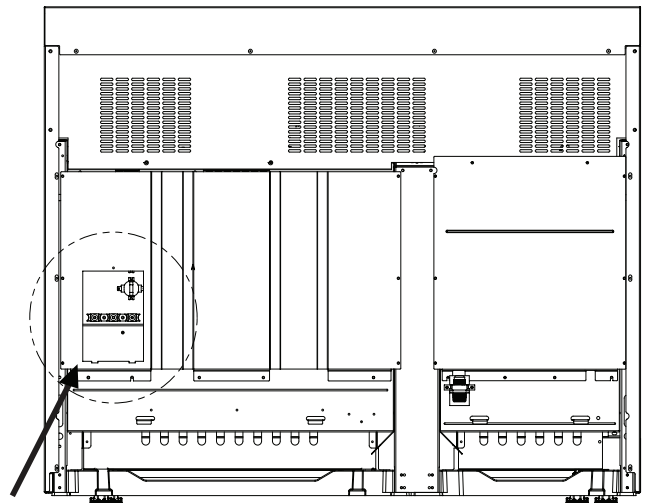


Figure 11: Location of Junction Box on 48" Ranges

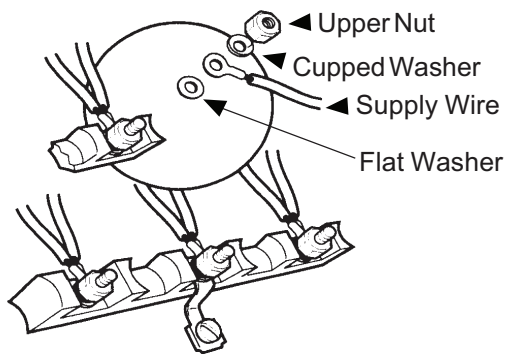


Figure 12: Conductor Securement

- **3-CONDUCTOR CORD** — WHERE LOCAL CODES AND ORDINANCES PERMIT GROUNDING THROUGH NEUTRAL, AND CONVERSION OF SUPPLY TO 4 WIRE IS IMPRACTICAL, UNIT MAY BE CONNECTED TO THE POWER SUPPLY WITH A 3-POLE, 3-CONDUCTOR CORD KIT RATED 125/250 VOLTS, 50 AMPERES, AND MARKED FOR USE WITH RANGES. The cord kit must be attached to the range junction box with a strain relief which will fit a 1" diameter hole. If not already equipped, the cord must have 1/4" faston closed-loop lugs attached to the free ends of the individual conductors, preferably soldered in place.

Installer — show the owner the location of the circuit breaker or fuse. Mark it for easy reference.

A 3- or 4-conductor supply may be connected to the terminal block.

3-Wire Lead Connection

1. Remove upper nuts only from the terminal block studs. **Do not remove nuts which secure range internal wiring leads.**
2. Secure the neutral, grounded wire of the supply circuit, to the center stud of the terminal block with nut. (See Figure 13).
3. Secure the L1 (black) and L2 (red) power leads to the outside terminal block studs (brass colored) with nuts.
4. Tighten nuts securely.

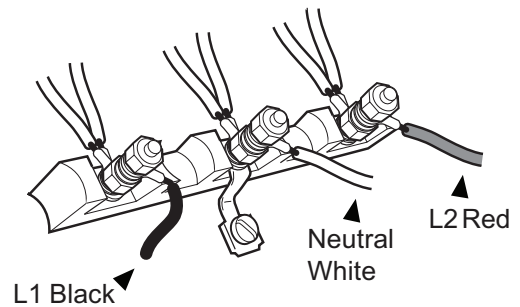


Figure 13: 3 Wire Connection

4-Wire Connection

1. Remove upper nuts only from the terminal block studs. **Do not remove lower nuts which secure range internal wiring leads.**
2. Remove ground strap screw and bend the strap up as shown in Figure 14.
3. Secure the neutral wire to the center stud of the terminal block with nut.
4. Secure the L1 (black) and L2 (red) power leads to the outside terminal studs (brass colored) with nuts.
5. Secure the bare copper ground lead to the range chassis using the ground screw previously used for the ground strap. Be sure that neutral and ground terminals do not touch.
6. Tighten all connections securely.

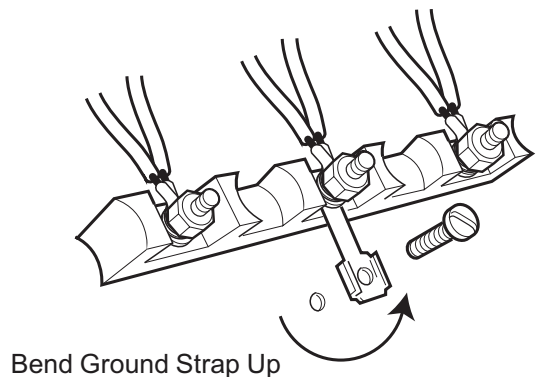


Figure 14: Ground Strap

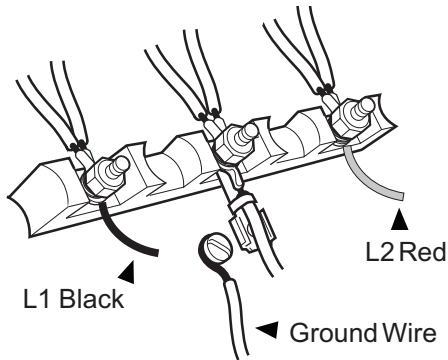


Figure 15: Secure Neutral Wire

Step 7: Backguard Installation

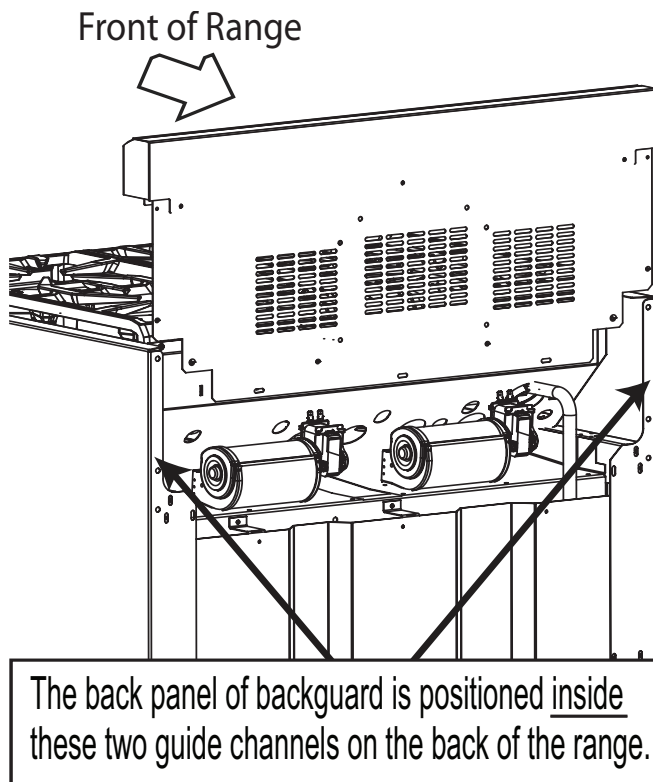


Figure 16: Backguard Positioning



WARNING

- To avoid possible burn or fire hazard, a backguard designed specifically for this range must be installed whenever the range is used.
- DO NOT attempt to install a Thermador series backguard, which has air holes in the back panel to supply (only) one cooling fan. [See Figure 16]

See Chart C for the correct size of Backguard Kit to match the range.

- The backguard must be attached before sliding the range into the final, installed position. A Low Back or Pot-and-Pan Shelf must be installed when there is less than 12" clearance from a combustible back wall and the back of the range above the cooking surface.
- A Flush Island Trim is available for covering the backguard area of the range for island installations; however, the Flush Island Trim can only be used where there is a minimum of 12" horizontal clearance between a combustible back wall and the back of the range.
- The backguard is inserted inside the guide channels on the back of the range, as shown in Figure 16. (Remove the griddle assembly for sufficient installation clearance on models with griddle.) Using a T-20 size Torx driver, fasten the backguard with four (4) Torx-head screws to the range side panels.
- The Pot-and-Pan Shelf models require pre-assembly of the top panel to the shell using nine (9) of the enclosed Torx-head screws. For sufficient load strength, YOU MUST attach two (2) screws through the back corners of the top down into the shell.
- To secure the front of the back guard, install three (3) of the Torx head screws through the lower front panel of the backguard, into the flange at the back of the range's cooktop.
- The Pot-and-Pan Shelf models provide a shelf above the cooktop to keep foods hot or store cooking pans. OBSERVE CAUTIONS CONCERNING ITEMS PLACED ON TOP OF THE SHELF.



CAUTION

The Pot and Pan Shelf can get very hot!
DO NOT place the following items on top of the Pot and Pan Shelf:

- plastics or containers that can melt
- flammable items
- a total load over 30 pounds (13.6kg)

Chart C: Backguard Kit Model Numbers

Model	6" Std. Low Back	9" Low Back	22" Pot and Pan Shelf	Flush Island Trim
30"	Included with Range	N/A	PA30GSHS	PA30GITH
36"	N/A	PA36GLBH	PA36GSHS	Included with Range
48"	N/A	PA48GLBH	PA48GSHS	Included with Range

Step 8: Door Removal and Reinstallation



CAUTION

USE CAUTION WHEN REMOVING THE DOOR. THE DOOR IS VERY HEAVY.

- Make sure oven is cool and power to oven has been turned off before removing the door. Failure to do so could result in electrical shock or burns.
- The oven door is heavy and fragile. Use both hands to remove or replace the door.
- Grasp only the sides of the oven door when removing or replacing it.
- Failure to grasp the oven door firmly and properly could result in personal injury and product damage.
- With the door off, never release the levers and try to close the hinges. Without the weight of the door, the powerful springs will snap the hinges closed with great force.

To Remove the Oven Door:

1. Fully open the oven door.
2. Flip the hinge clip toward you (see Photo B.)
3. Close the door until it stops; the open hinge clip will hold the door about halfway open.
4. Grasp the door on the sides. The door is heavy and fragile - always use both hands. Lift the door up and out (there will be some spring resistance to overcome). When the front of the door is high enough, you will be able to pull the door straight out.
5. Place the door in a safe and stable location.



Photo A: Hinge bracket in closed position

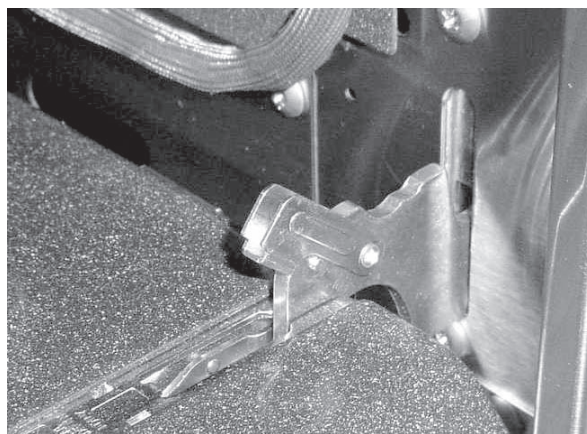


Photo B: Flip hinge clip toward you

To Reinstall the Oven Door:

1. Hold door on both sides. Insert hinges into hinge slots. The door will be about halfway open.

It may be necessary to press firmly inward on the lower portion of the door, using a rocking motion to fully seat the door's hinges.

2. Open door all the way to expose hinge clips. Push hinge clips away from you (toward the oven) until they meet the hinge.
3. Close and open the door slowly to test the installation. It should open and close smoothly and be straight, not crooked.

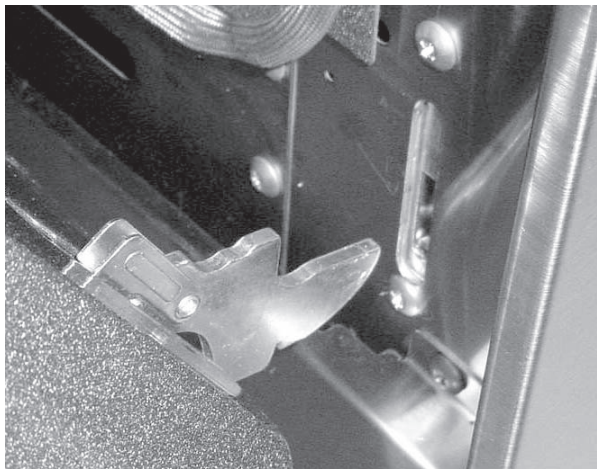


Photo C: Hinge removed from oven

Step 9: Burner Test and Adjustment

Install any loose components, such as burner caps and grates, that may have been removed earlier. Be certain that burner caps seat properly into the burner bases. Before testing operation of the appliance, verify that the unit and the gas supply have been carefully checked for leaks and that the unit has been connected to the electrical power supply. Turn the manual gas shut-off valve to the open position.

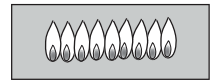
Test Rangetop Burners

Test Burner Ignition. Select a rangetop burner knob. Push in and turn counterclockwise to **HI**. The ignitor/spark module will produce a clicking sound. Once the air has been purged from the supply lines, the burner should light within four (4) seconds.

Test Flame: High Setting. Turn burner on to **HI**. See Figure 17 for appropriate flame characteristics.

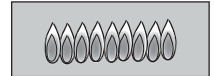
Yellow Flames:

Further adjustment is required.



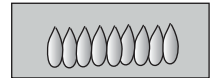
Yellow Tips on Outer Cones:

Normal for LP Gas.



Soft Blue Flames:

Normal for Natural Gas.



If the flame is completely or mostly yellow, verify that the regulator is set for the correct fuel. After adjustment, retest.

Some orange-colored streaking is normal during the initial start-up.

Allow unit to operate 4-5 minutes and re-evaluate before making adjustments.

Figure 17: Flame Characteristics

If any of the rangetop burners continue to burn mostly or completely yellow, verify that the burner cap is positioned properly on the burner base, then retest. If flame characteristics do not improve, call Thermador.

Test Flame: Low Setting. Turn burner on to **SIM**. Verify that the flame completely surrounds the burner. There should be a flame at each burner port and there should be no air gap between the flame and the burner. If any burners do not carry over, call Thermador.

The two rangetop burners on the left side feature **XLO**, causing the flame to cycle on and off when the knob is set to the **XLO** range. This is normal operation.

Repeat the Ignition and Flame Test procedures, described above for each rangetop burner.

When Flame is Properly Adjusted:

There should be a flame at each burner port. There should be no air gap between the flame and burner port.

Call Thermador if:

1. Any of the burners do not light.
2. Any of the burners continue to burn yellow.

Installer Checklist

Final Check List

- Specified clearances maintained to cabinet surfaces.
- Unit Level – front to back – side to side.
- Burner caps positioned properly on burner bases.
- All packaging material removed.
- Island trim or backguard attached according to instructions.
- Kick panel in place and two (2) screws secure.
- The griddle and frame is correctly positioned, tilted slightly forward. (See page 10 for adjustment procedure.)

Gas Supply

- Manual gas shut off valve installed in an accessible location (without requiring removal of range).
- Unit tested and free of gas leaks.
- If used on propane gas, verify that the propane gas supply is equipped with its own high pressure regulator in addition to the pressure regulator supplied with the appliance.

Electrical

- Receptacle with correct over-current protection is provided for service cord connection.
- Proper ground connection.

Operation

- Bezels centered on burner knobs, and knobs turn freely.
- Each burner lights satisfactorily, both individually and with other burners operating.
- Griddle is tilted slightly forward and does not rock (not all models).
- Oven door hinges seated and hinge locks in proper position. Door opens and closes properly.
- Burner grates correctly positioned, level and do not rock.
- Start self-clean. When **CLEANING** light comes on, verify that door is locked. Cancel self clean mode.
- INSTALLER: Leave the Care and Use Manual and Installation Instructions with the owner of the appliance.

To Clean and Protect Exterior Surfaces

The stainless steel surfaces may be cleaned by wiping with a damp soapy cloth, rinsing with clear water and drying with a soft cloth to avoid water marks. Any mild glass cleaner will remove fingerprints and smears.

For discolorations or deposits that persist, refer to the Care and Use Manual.

To polish and protect the stainless steel, use a cleaner/polish such as Stainless Steel Magic®.

DO NOT allow deposits to remain for long periods of time.

DO NOT use ordinary steel wool or steel brushes. Small bits of steel may adhere to the surface causing rust.

DO NOT allow salt solutions, disinfectants, bleaches or cleaning compounds to remain in contact with stainless steel for extended periods. Many of these compounds contain chemicals which could prove harmful. Rinse with water after exposure and wipe dry with a clean cloth.

Table des matières

Instructions de sécurité	2
Informations importantes ` concernant l'installation	2
Chapitre 1 : Exigences pour la ventilation	3
Chapitre 2 : Préparation de l'emplacement de l'armoire	5
Chapitre 3 : Déballage, manutention et mise en place de la cuisinière . . .	10
Chapitre 4 : Installation du dispositif antibascule	11
Chapitre 5 : Exigences de l'alimentation du gaz et raccordement	13
Chapitre 6 : Exigences électriques, connexions et mise à la terre	15
Chapitre 7 : Installation du dossieret	18
Chapitre 8 : Retrait et installation de la porte	19
Chapitre 9 : Test et réglage des brûleurs	20
Liste de vérification pour l'installateur	21
Nettoyage et protection des surfaces externes . . .	21

Cet appareil électroménager de Thermador est fait par
BSH Home Appliances Corporation
5551 McFadden Ave.
Huntington Beach, CA 92649

Questions ?

1-800-735-4328

www.thermador.com

Nous attendons de vos nouvelles !

Pour les installations au Massachusetts :

1. L'installation doit être réalisée par un entrepreneur qualifié ou accrédité, un plombier ou un installateur de gaz qualifié ou autorisé par l'État ou la région dans laquelle cet appareil est installé.
2. Le robinet d'arrêt de gaz doit être pourvu d'une poignée en « T ».
3. La longueur maximale autorisée du tuyau de gaz est de 91,4 centimètres (36").



AVERTISSEMENT

L'information fournie dans le présent manuel doit être très rigoureusement respectée, sous peine d'incendie ou d'explosion entraînant des dommages, des blessures ou la mort.

- Ne stockez pas et n'utilisez pas d'essence ou autres combustibles ne provenant pas de la compagnie distributrice de gaz.
- **SI VOUS SENTEZ UNE ODEUR DE GAZ :**
 - N'allumez aucun appareil.
 - Ne touchez pas aux interrupteurs électriques.
 - N'utilisez pas les téléphones du bâtiment.
 - Appelez immédiatement votre compagnie de gaz de chez un voisin. Suivez les instructions de la compagnie.
 - Si vous n'arrivez pas à contacter la compagnie de gaz, appelez les pompiers.
- L'installation et les réparations doivent être réalisées par un installateur qualifié, un centre de réparation agréé ou la compagnie de gaz.



AVERTISSEMENT

- Toutes les cuisinières peuvent basculer
- Des personnes peuvent être blessées
- Installez un dispositif antibascule
- Consultez les instructions d'installation

AFIN DE DIMINUER LES RISQUES DE BASCULEMENT, INSTALLEZ UN DISPOSITIF ANTIBASCULE. ASSUREZ-VOUS QUE LE DISPOSITIF ANTIBASCULE EST BIEN EN PLACE, CONFORMÉMENT AUX INSTRUCTIONS D'INSTALLATION (REMARQUE : LE DISPOSITIF ANTIBASCULE EST OBLIGATOIRE POUR TOUTES LES CUISINIÈRES DE 76,2 CM [30"] ET DE 91,4 CM [36 "]).

Instructions de sécurité



Instructions importantes de sécurité

LIRE TOUTES LES INSTRUCTIONS AVANT D'UTILISER CET APPAREIL

APPROUVÉ POUR TOUT APPAREIL RÉSIDENTIEL

POUR UTILISATION RÉSIDENIELLE SEULEMENT

IMPORTANT : Conservez ces instructions pour l'inspecteur en électricité local.

INSTALLATEUR : Laissez ces instructions avec l'appareil pour le propriétaire.

PROPRIÉTAIRE : Conservez ces instructions à des fins de référence.



AVERTISSEMENT

Coupez l'électricité avec d'installer l'appareil. Avant de remettre l'électricité, assurez-vous que toutes les commandes sont à la position **OFF**.

Important :

Les réglementations locales varient. L'installation, les raccordements au gaz et les mises à la terre doivent être conformes à toutes les réglementations applicables



AVERTISSEMENT

N'utilisez pas de flamme pour vérifier les fuites de gaz.

Remarque :

Cette cuisinière **N'EST PAS** conçue pour les maisons mobiles ni pour les véhicules récréatifs.

N'installez PAS cet appareil dehors.

Informations importantes ` concernant l'installation

Vérification du type de GAZ

Vérifiez le type d'alimentation en gaz fourni sur le lieu d'installation. L'appareil doit être raccordé au type de gaz pour lequel il est certifié. Tous les modèles sont certifiés pour une utilisation avec gaz naturel. Conversion sur place pour utilisation au gaz propane exigeant le nécessaire de conversion.



AVERTISSEMENT

Pour éviter tout risque de brûlure ou d'incendie, un dossierer conçu spécifiquement pour cette cuisinière doit être installé.

Voir la tablette C du dossierer à la page 19 pour les modèles de dossierer appropriés pour cet appareil. Une fois le dossierer choisi, l'appareil doit être installé adéquatement en utilisant les espaces libres minimaux pour surfaces combustibles spécifiées dans les instructions « Chapitre 2 : Préparation de l'emplacement de l'armoire » à la page 5.

Important :

- Utilisez un dossierer lorsque l'espace horizontal entre les matériaux combustibles et l'arrière de la cuisinière est de moins de 30,5 cm (12 po). Commandez séparément le dossierer Thermador et installez-le à l'arrière de la cuisinière (un dossierer bas est fourni avec le modèle de 30 po). Pour les installations en îlot et autres installations avec un espace de plus de 30,5 cm (12 po), une garniture en acier inoxydable est vendue en option afin de recouvrir les brides de montage du dossierer.
- S'assurer que l'appareil convient au type de gaz fourni. Consultez le « Chapitre 5 : Exigences de l'alimentation du gaz et raccordement » à la page 13 avant de procéder à l'installation.

Cet appareil a été testé conformément aux normes ANSI Z21.1, pour les appareils de cuisson résidentiels (É.-U.) et CAN 1.1-M81 pour les cuisinières à gaz résidentielles (Canada).

On recommande fortement d'installer une hotte de ventilation adaptée au-dessus de cet appareil (Voir « Chapitre 1 : Exigences pour la ventilation » à la page 3.). Comme cet appareil peut dégager une forte chaleur, on doit porter une attention particulière aux travaux d'installation des conduits et de la hotte, lesquels doivent être conformes à la réglementation locale de construction.

Vérifiez la réglementation locale applicable pour connaître la bonne méthode d'installation de l'appareil. Les réglementations locales varient. L'installation, le branchement électrique et la mise à la terre doivent respecter toutes les réglementations en vigueur. S'il n'y a pas de réglementations, l'appareil doit être installé conformément aux normes américaines en vigueur sur le gaz combustible ANSI Z223.1/NFPA54 et sur l'électricité ANSI/NFPA70. Au Canada, l'installation doit être conforme aux normes canadiennes CAN 1-B149.1 et CAN 1-B149.2 du code du bâtiment pour l'installation d'appareils fonctionnant au gaz, et/ou au code de construction local.

Alimentation en gaz :

Gaz naturel — 14,9 mb min. (6 po, C.E.), à 34,9 mb max. (14 po, C.E.)

Gaz propane — 27,4 mb min. (11 po, C.E.), 34,9 mb max. (14 po, C.E.)

Alimentation électrique :

(Voir page 15 pour les données techniques)



MISE EN GARDE

Si l'appareil est alimenté au gaz propane, assurez-vous que le réservoir de propane est équipé de son propre détendeur en plus du détendeur fourni avec la cuisinière. La pression maximum d'arrivée du gaz de cet appareil ne doit pas dépasser les 34,9 millibars (14 po C.E.) entre le réservoir de propane et le détendeur.



MISE EN GARDE

Cet appareil est conçu pour un usage culinaire. Pour des raisons de sécurité, ne l'utilisez jamais pour chauffer une pièce.

Cet appareil est conforme à une ou plusieurs des normes suivantes :

- UL 858, norme pour la sécurité des cuisinières électriques domestiques
- UL 923, norme pour la sécurité des appareils de cuisson aux micro-ondes
- UL 507, norme pour la sécurité des ventilateurs électriques
- ANSI Z21.1, norme nationale américaine pour appareils de cuisson au gaz domestiques

- CAN/CSA-C22.2 n° 113-M1984 ventilateurs et hottes
- CAN/CSA-C22.2 n° 61-M89 cuisinières domestiques

Il incombe au propriétaire et à l'installateur de déterminer si des exigences et/ou normes additionnelles s'appliquent pour une installation spécifique.

À cause de la chaleur intense des brûleurs de la surface de cuisson, l'installation d'un four à micro-ondes avec un système de ventilation au-dessus de la surface de cuisson n'est pas recommandée.



MISE EN GARDE

Afin d'éliminer les risques de brûlures ou d'incendie provoqués par la chaleur, il est conseillé d'éviter d'installer des armoires au-dessus des tables de cuisson des appareils.

Chapitre 1 : Exigences pour la ventilation

Il est fortement recommandé d'installer une hotte de ventilation appropriée au-dessus de la cuisinière. Une ventilation par contre-tirage ne devrait pas être utilisée. Le tableau ci-dessous énumère, par numéro de modèle, les hottes Thermador que l'on conseille d'utiliser avec les cuisinières.

1. Choix du modèle de hotte et de ventilateur

- Pour les installations murales, la largeur de la hotte doit être au moins égale à celle de la table de cuisson de la cuisinière. Si l'espace le permet, il est souhaitable d'installer une hotte plus large que la table de cuisson pour améliorer les performances de ventilation.
- Pour les installations en îlot, la largeur de la hotte devrait dépasser d'au moins 7,62 cm (3") des deux côtés de la table de cuisson de la cuisinière.

Important :

Les hottes de ventilation et les ventilateurs sont conçus pour un seul conduit mural. Certaines réglementations municipales du bâtiment exigent toutefois un double conduit. Consultez les normes applicables et/ou la municipalité avant de débiter les travaux pour vous assurer que l'installation des conduits répond aux exigences locales.

N'installez PAS un combiné hotte/four à micro-ondes au-dessus des surfaces de cuisson. Ces appareils n'assurent pas une ventilation appropriée et ne conviennent pas aux surfaces de cuisson.

2. Emplacement de la hotte

- Pour une meilleure élimination de la fumée, le bord inférieur de la hotte doit être placé à une distance de 76,2 cm (30") au-dessus de la table de cuisson (Voir Figure 1).
- Si la hotte contient des matériaux combustibles (comme par exemple un placage en bois), elle doit être installée au moins 101,6 cm (40") au-dessus de la table de cuisson.

AVIS :

La plupart des cuisinières comprennent des éléments combustibles qui doivent être pris en considération lors de la planification de l'installation.

3. Apport d'air

- Un important volume d'air étant nécessaire pour la ventilation, il est recommandé de prévoir un apport d'air de l'extérieur. Cet aspect revêt une importance particulière dans les logements bien isolés et très étanches.
- Il est conseillé de consulter un entrepreneur en chauffage et en climatisation.

Largeur de cuisinière	Configuration de surface de cuisinière	Capacité de soufflerie minimale recommandée*	Options de ventilation
30 po	4 brûleurs	800 CFM	Hotte Pro Wall 30 36 po 30 ou 36 po sur mesure avec soufflerie optionnelle Hotte d'îlot 42 po avec soufflerie optionnelle
36 po	4 brûleurs avec grille	1,000 CFM	Hotte Pro Wall 36 ou 42 po 36 po sur mesure avec soufflerie optionnelle Hotte d'îlot 42 po avec soufflerie optionnelle
	6 brûleurs	1,100 CFM	
48 po	6 brûleurs avec grille	1,300 CFM	Hotte Pro Wall 48** ou 54 po 48 po sur mesure avec soufflerie optionnelle Hotte d'îlot 54 po avec soufflerie optionnelle

Remarques importantes :

CFM = pi³/min

Il est recommandé que la hotte Professional Thermador murale ou îlot ou sur mesure soit utilisée avec les cuisinières Professional Thermador.

Les hottes murales de la gamme professionnelle HPWB or les insertions sur mesure gamme professionnelle sont des solutions de ventilation recommandées pour ces cuisinières. Les hottes murales de la gamme professionnelle PH représentent des options appropriées, toutefois, la profondeur de 27 po de la gamme PH peut ne pas convenir à toutes les applications.

Consultez le www.Thermador.com pour la sélection complète des options de ventilation, de souffleries et des accessoires de cette gamme de produits.

* Pour les cuisinières à gaz à rendement élevé (60 000 BTU ou plus), une ventilation minimale de 1 pi³/min par 100 BTU est recommandée. Si la cuisinière est dotée d'un gril, ajouter 200 pi³/min à la capacité de soufflerie estimée. Une capacité additionnelle peut être requise pour des conduits plus longs.

Dans le cas des applications avec îlots, il est recommandé d'utiliser une hotte dont la largeur excède celle de la cuisinière de 6 po (minimum 3 po de chaque côté).

**Ce ne sont pas tous les modèles de hottes PRO 48 po qui peuvent accommoder l'option de soufflerie 1 300 pi³/min.
pi³/min = pied cube par minute (cote standard pour la capacité d'une soufflerie).

Chapitre 2 : Préparation de l'emplacement de l'armoire

1. La cuisinière est un appareil monobloc. Si elle est placée au milieu des armoires, les espaces libres requis sont indiqués à la Figure 1. Les mêmes dégagements s'appliquent aux installations en îlot, excepté pour les armoires suspendues qui doivent laisser un espace suffisamment grand pour poser la hotte d'îlot évasée, comme le montre la Figure 1.
2. Les cuisinières peuvent être encastrées entre les armoires au-delà de l'avant du four (Voir Figure 2).



MISE EN GARDE

Dans ce type d'installation, la porte et l'armoire peuvent comporter un risque de pincement.

3. Les entrées d'électricité et de gaz doivent se trouver dans les zones indiquées à la Figure 3a.

Remarque :

La profondeur maximale des armoires en hauteur installées d'un côté ou de l'autre de la hotte est de 33 cm (13 po).

Un espace libre minimal de 40 po est nécessaire entre le dessus de la surface de cuisson et le dessous d'une armoire non protégée. Un espace libre de 30 po est nécessaire lorsque le bas d'armoires en bois ou en métal est protégé par un matériau ignifuge d'une épaisseur d'au moins 6,35 mm (1/4") recouvert d'une feuille d'acier no 28 MSG de la même épaisseur, de 0,4 mm (0,015") d'acier inoxydable, de 0,6 mm (0,024") d'aluminium ou de 0,5 mm (0,02") de cuivre. Les matériaux ignifuges portent la marque suivante :

UNDERWRITERS LABORATORIES INC. CLASSIFIED MINERAL AND FIBER BOARDS SURFACE BURNING CHARACTERISTICS,

(panneaux de fibres et minéraux classés, caractéristiques d'inflammation des surfaces), suivie des taux de progression des flammes et de la fumée. Ces désignations sont indiquées par « FHC » (Flame Spread/Smoke Developed – Progression des flammes/Production de fumée). Les matériaux ayant un taux « O » de progression de flammes sont ignifuges. La réglementation municipale peut autoriser un taux de progression des flammes différent.

4. Toute ouverture dans le mur qui se trouve derrière la cuisinière et dans le plancher sous la cuisinière doit être refermée.
5. Si la distance entre un matériau combustible et le bord arrière de la cuisinière au-dessus de la table de cuisson est de moins de 30,5 cm (12 po), il est obligatoire d'installer un dossier bas ou une tablette à casserole Thermador (Voir Figure 2). Avec un dégagement au matériau combustible Δ de 12 po et plus, la garniture d'îlot encastrée Thermador peut être utilisée. (Voir Figure 2). Les Voir Figure 2 et Figure 2 indiquent l'espace nécessaire pour chaque type de plaque de protection.
6. L'appareil ne doit jamais se trouver à proximité de matériaux combustibles, d'essence et d'autres produits inflammables (vapeurs ou liquides).
7. L'air de combustion et de ventilation arrivant à l'appareil doit pouvoir circuler librement dans les conduites.
8. Un espace libre minimal de 10 po est nécessaire lorsque la cuisinière est installée à côté d'un mur latéral combustible.

Δ Tel que défini dans le code national de combustible à gaz (ANSI Z223.1, dernière édition).

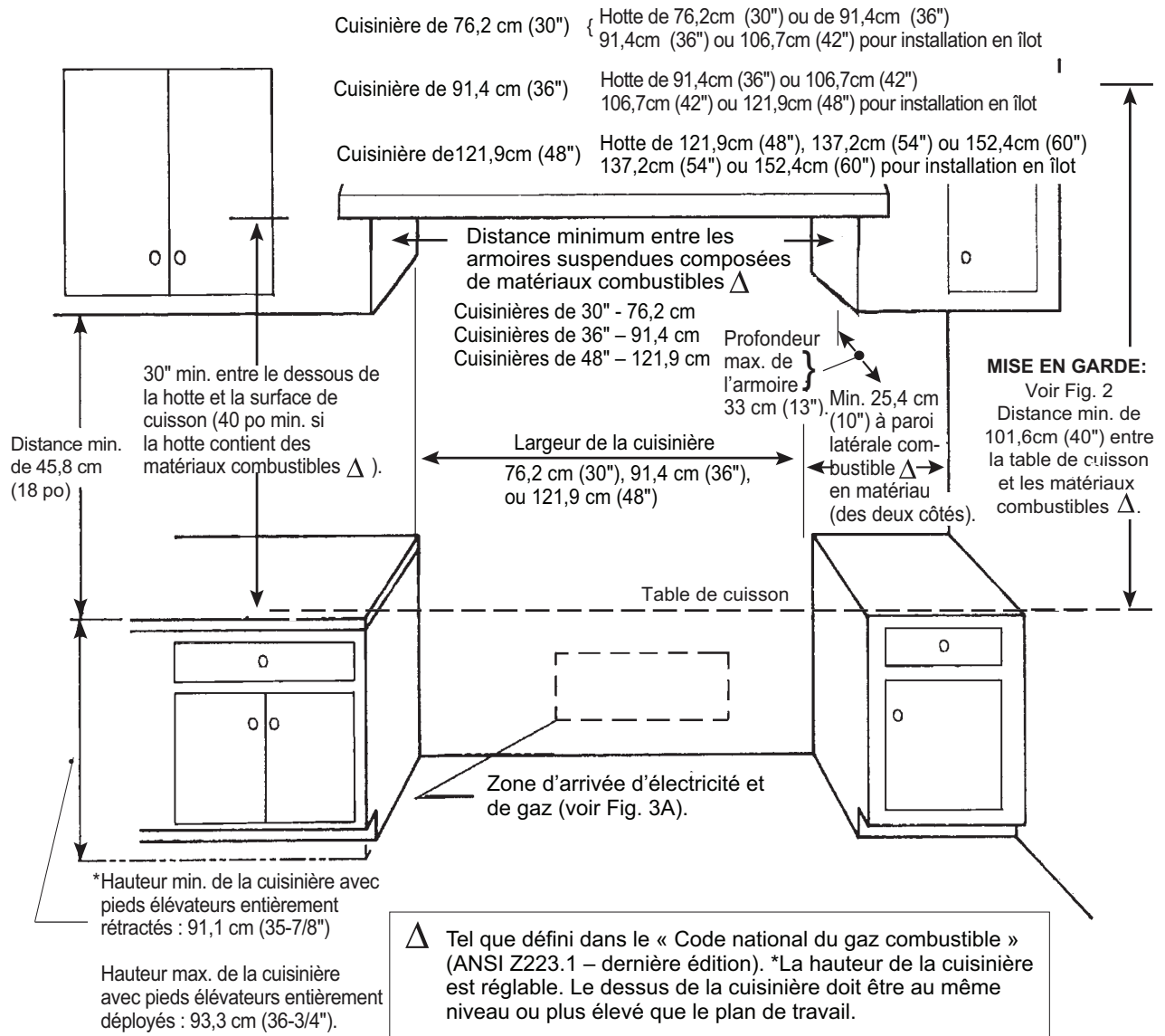
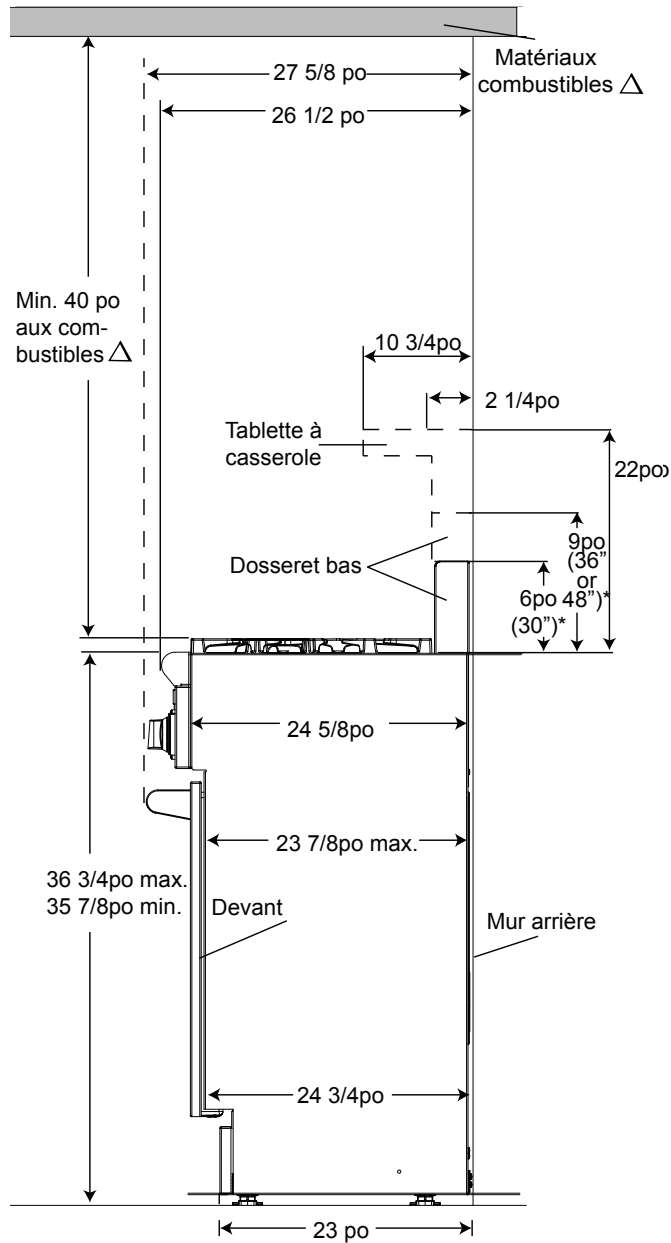
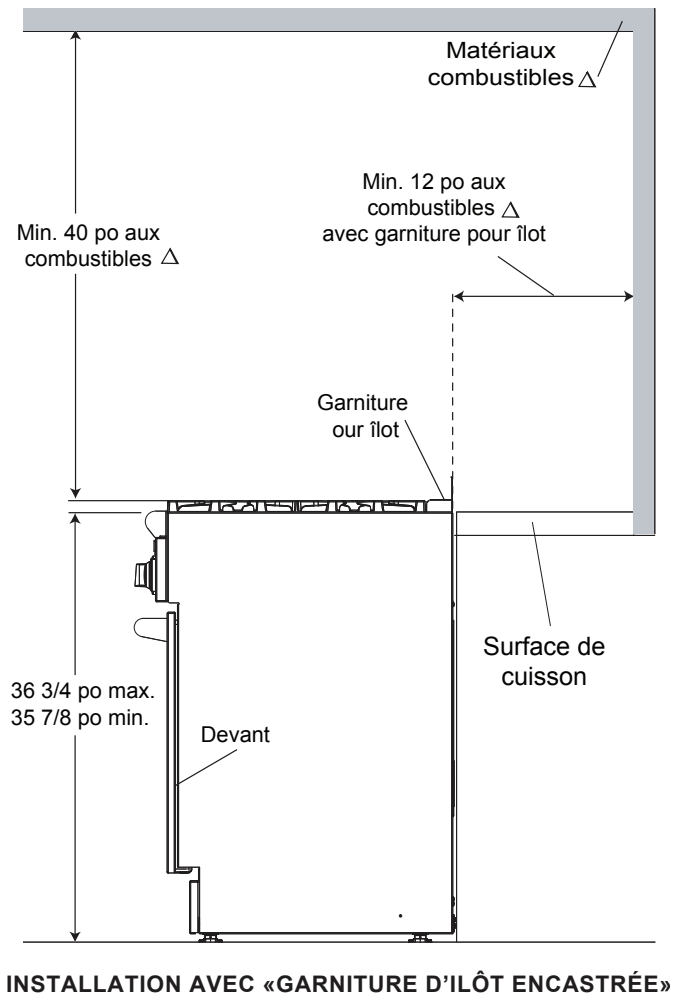


Figure 1 : Espace libre des armoires



INSTALLATION AVEC « DOSSERET BAS » OU « ÉTAGÈRE À CASSEROLES »



Δ Tel que défini dans le code national de combustible à gaz (ANSI Z223.1, dernière édition.)

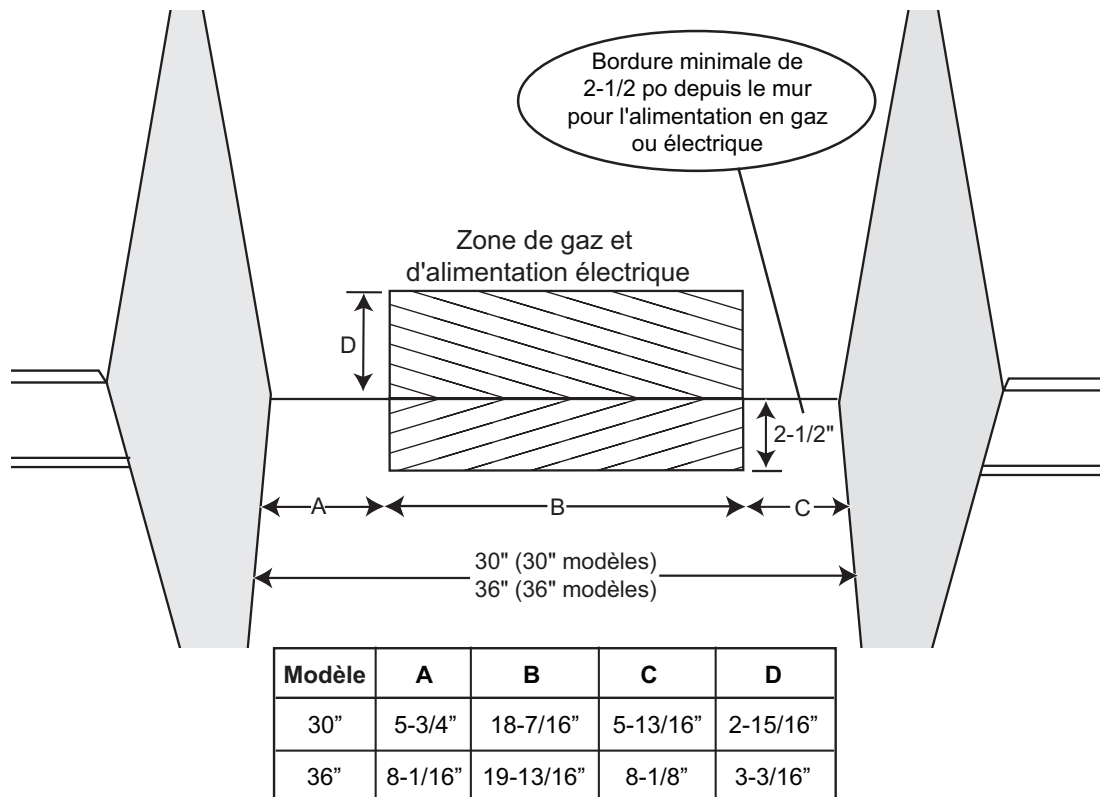
Figure 2 : Vue latérale

*Serèfère aux modèles de cuisinières de 30", 36" et 48".

Remarque :

Porte du four ouverte, haut de la porte à 44 7/8 po depuis la paroi arrière, derrière la cuisinière installée. Un espace libre suffisant doit être laisser pour permettre une circulation facile lorsque la porte est ouverte.

Emplacement de l'alimentation électrique et en gaz pour les cuisinières à combustion jumelée 30" et 36"



Emplacement de l'alimentation électrique et en gaz pour les cuisinières à combustion jumelée 48"

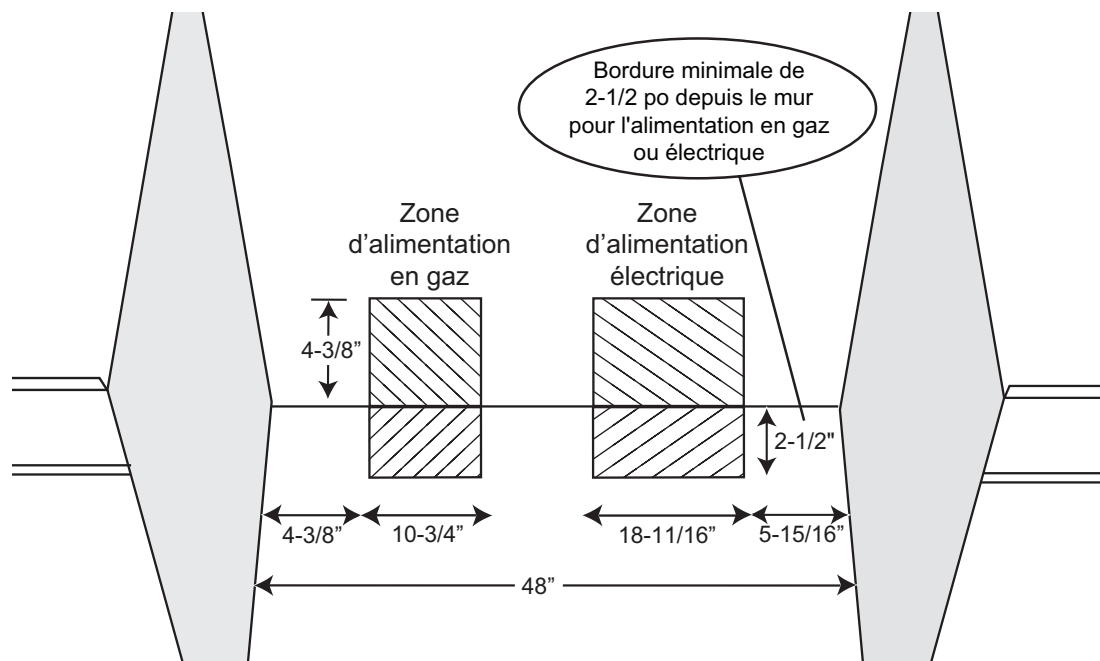


Figure 3 : Emplacement de l'alimentation électrique et en gaz pour les cuisinières à combustion jumelée

Remarque :

Une soupape manuelle d'arrêt de gaz (si elle n'est pas déjà en place) doit être facilement accessible. Assurez-vous d'indiquer où et comment fermer l'alimentation en gaz à la cuisinière.

Remarque :

L'installateur doit indiquer au client l'emplacement de la soupape d'arrêt de gaz.

Remarque :

Toute ouverture dans le mur derrière l'appareil et/ou dans le plancher doit être scellée.

La cuisinière à combustion jumelée peut être branchée à l'alimentation électrique avec un nécessaire de cordon d'alimentation de cuisinière (fourni avec l'appareil) ou par un câblage fixe à l'alimentation. Il incombe à l'installateur de fournir les éléments appropriés pour le câblage (cordon ou conduit et fils) et de compléter la connexion électrique selon les règlements et codes locaux et/ou le Code national d'électricité. L'appareil doit être mis à la terre adéquatement. Voir « Chapitre 6 : Exigences électriques, connexions et mise à la terre » pour plus de détails. Les modèles pour le Canada sont munis d'un cordon d'alimentation.

La cuisinière doit être branchée seulement au type de gaz pour laquelle elle est certifiée. Si la cuisinière doit être branchée au gaz propane, assurez-vous que le réservoir de gaz propane est doté d'un régulateur de haute pression en plus du régulateur fournie avec la cuisinière (voir « Chapitre 5 : Exigences de l'alimentation du gaz et raccordement »).

Remarque :

La cuisinière est conçue pour être à égalité avec le mur arrière. Pour une installation adéquate, il peut être nécessaire de repositionner la canalisation d'alimentation en gaz et le cordon électrique lorsque la cuisinière est poussée en position d'installation finale.

SUGGESTION : Vous pouvez accomplir cette opération en passant une corde ou une ficelle autour de la canalisation ou du cordon électrique au moment de pousser la cuisinière dans sa position d'installation finale.

Alimentation électrique

L'installation de la cuisinière doit être planifiée de manière à ce que la boîte de jonction pour la prise ou la connexion de conduit permette un espace libre optimal à l'arrière de l'appareil.

Lorsque le cordon d'alimentation (non fourni) ou le conduit est branché sur une prise correspondante ou au couvercle de la boîte de jonction, la prise/fiche combinée ou la boîte de jonction/connecteur de conduit ne doivent pas dépasser de plus de 2-1/2 po du mur arrière. Voir Figure 3b.

Voir Figure 10 et Figure 11 à la page 16 pour l'emplacement de la boîte de jonction sur l'appareil. Pour minimiser le pliage lorsque l'appareil est branché sur la prise ou la boîte de jonction, orientez la prise ou le connecteur de conduit et faites glisser en position.

Remarque :

Les modèles canadiens sont dotés d'un cordon d'alimentation.

Remarque :

Si l'on utilise une prise 240 VAC ayant son boîtier, il est nécessaire d'encaster le boîtier de la prise dans le mur arrière. Fixez de façon sécuritaire la prise au montant du mur, puis scellez autour du boîtier. Observez les codes électriques locaux.

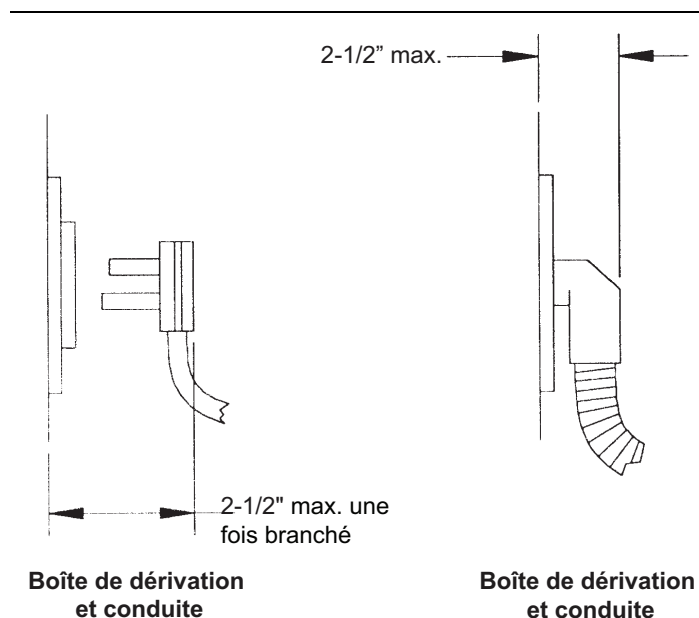


Figure 3b : Raccordement au mur

Chapitre 3 : Déballage, manutention et mise en place de la cuisinière



MISE EN GARDE

Un équipement adapté et manipulé par du personnel expérimenté doit être utilisé pour déplacer la cuisinière pour éviter d'endommager l'appareil ou le plancher. La cuisinière est lourde et repose sur des pieds réglables en acier.

- Le poids approximatif de la cuisinière à l'expédition est celui qui est indiqué au Tableau A. Il est recommandé d'ôter le gril, la plaque du gril, le cadre, les chapeaux des brûleurs, la plaque d'habillage et les grilles du four pour faciliter la manutention. Le poids de l'appareil s'en trouvera diminué, tel qu'indiqué au Tableau A et permettra à la cuisinière de passer par une porte de 76,2 cm (30"). Voir Figure 2 à la page 7. **N'ôtez pas la plaque de cuisson.**
- Retirez l'emballage externe et les matériaux d'emballage de la palette d'expédition. Toutes les cuisinières à combustion jumelée sont fixées sur une palette à l'aide de quatre (4) boulons Figure 4). Après avoir enlevé les boulons, soulevez la cuisinière et enlevez-la de la palette.

Important :

NE soulevez PAS la cuisinière par la poignée de porte. Cela peut endommager les charnières et ainsi la porte s'ajustera mal dans l'ouverture.

Tableau A	Cuisinière de 30 po	Cuisinière de 36 po	Cuisinière de 48 po
Poids à l'expédition	351 lbs.	371 lbs.	499 lbs.
Poids sans matériaux d'emballage	228 lbs.	270 lbs.	403 lbs.
Poids sans porte, chapeaux de brûleurs, plaque d'habillage et grilles de four	185 lbs.	221 lbs.	318 lbs.

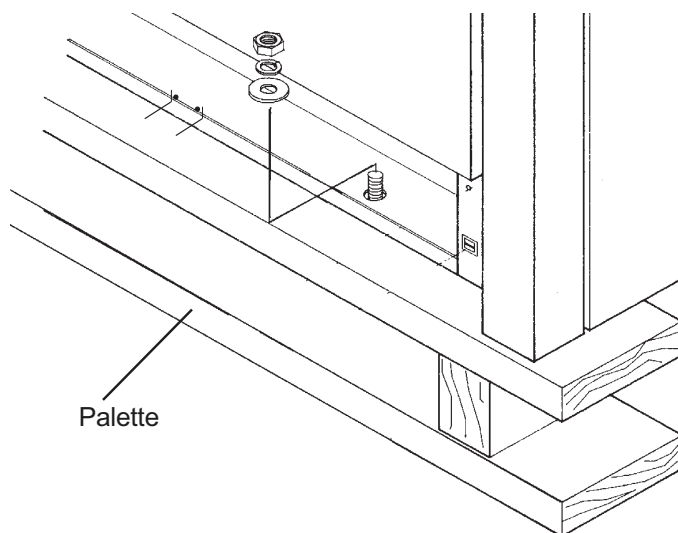


Figure 4 : Enlèvement des quatre (4) boulons de transport

Remarque :

Laisser la mousse avec adhésif sur les surfaces en métal brossé pour protéger le fini contre les égratignures jusqu'à ce que l'appareil soit installé à sa position finale.

- En raison du poids de la cuisinière, il convient d'utiliser une plate-forme à roulettes souples pour la déplacer. Le poids doit être uniformément réparti sur la plate-forme (voir Figure 5).
- Transportez la cuisinière sur la plate-forme près de son emplacement définitif, faites-la basculer pour qu'elle repose sur les pieds arrière puis retirez la plate-forme. **PROTÉGEZ LE SOL SE TROUVANT SOUS LES PIEDS AVANT DE METTRE LA CUISINIÈRE EN PLACE.** Installez le dispositif antibascule (chapitre 4), raccordez le gaz et l'électricité (voir « Chapitre 5 : Exigences de l'alimentation du gaz et raccordement ») et « Chapitre 6 : Exigences électriques, connexions et mise à la terre », puis installez la plaque de protection (« Chapitre 7 : Installation du dossier ») avant de placer définitivement la cuisinière. Pour garantir son bon fonctionnement, la **cuisinière doit être nivelée.** (Ce point est important pour tous les produits équipés d'une plaque chauffante.) La cuisinière se nivelle en réglant les pieds avec une clé.
- Remettez la base. **Il est important que les deux (2) vis qui maintiennent la base soient solidement fixées pour éviter un contact accidentel avec les surfaces chaudes.**
- Assurez-vous que les chapeaux des brûleurs sont correctement installés sur les bases des brûleurs de la table de cuisson.

Chapitre 4 : Installation du dispositif antibascule

Pour les cuisinières de 30 po et de 36 po, un dispositif antibascule doit être installé conformément aux instructions suivantes.

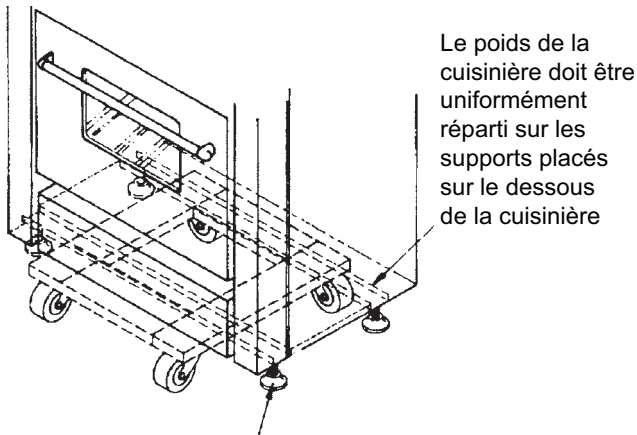


Figure 5 : Emplacement de la plate-forme à roulettes

- Enlevez tout le matériel d'emballage et le ruban adhésif avant d'utiliser l'appareil. Détruire le matériel d'emballage une fois l'appareil déballé. Ne laissez jamais les enfants jouer avec ce matériel d'emballage.

Important:

NE soulevez PAS la cuisinière par la poignée de porte. Cela peut endommager les charnières et ainsi la porte s'ajustera mal dans l'ouverture.

Réglage de l'angle du gril (certains modèles)

Si la cuisinière est dotée d'un gril électrique, vérifiez le réglage du cadre en versant 2 cuillères à soupe d'eau sur la surface. L'eau devrait glisser lentement vers le bac à graisse. Si ce n'est pas le cas, corrigez l'angle à l'aide des deux vis situées à l'arrière du cadre. Commencez en tournant les vis d'un quart de tour dans le sens antihoraire. Tout réglage ultérieur devrait être fait à l'aide de quarts de tour jusqu'à ce que l'eau glisse dans le bac à graisse.




AVERTISSEMENT — DANGER DE BASCULEMENT

- Toutes les cuisinières peuvent basculer et blesser quelqu'un. Pour éviter un basculement accidentel, elles doivent être fixées au sol, au mur ou à une armoire au moyen de l'installation du dispositif antibascule qui vous est fourni.
- Un risque de basculement demeure si l'appareil n'est pas installé conformément à ces instructions.
- En déplaçant la cuisinière pour nettoyage, réparation ou autre, assurez-vous que le dispositif antibascule s'est bien enclenché lorsque vous avez repoussé la cuisinière contre le mur. Sinon, dans l'hypothèse d'une utilisation anormale (personne montante, s'asseyant ou s'étendant sur une porte ouverte), la cuisinière risque de basculer et de provoquer des blessures dues aux liquides chauds renversés ou au poids de la cuisinière.




AVERTISSEMENT — RISQUE D'ÉLECTROCUTION

- Soyez très prudent lorsque vous percez des trous dans le mur ou le plancher. Des fils électriques peuvent être dissimulés dans les murs ou dans le plancher.
- Identifiez les circuits électriques pouvant se trouver à l'endroit où le dispositif antibascule est installé puis débranchez-les.
- Le non-respect de ces instructions risque d'entraîner une électrocution ou des blessures.



AVERTISSEMENT :




- Toutes les cuisinières peuvent basculer
- Des personnes peuvent être blessées
- Installez les dispositifs antibasculé fournis avec la cuisinière
- Consultez les instructions d'installation

Pour toutes les cuisinières à combustion jumelée de 30 po et 36 po (Figure 6 et Figure 7)

Thermador Service pièce No.	Quantité	Description
415078	4	Vis Phillips no10 (1-1/2 po) 3,81 cm
647936	1	Patte antibasculé, montage au sol

AVERTISSEMENT — DOMMAGES CAUSÉS À L'ÉQUIPEMENT

- Contactez un installateur ou un entrepreneur qualifié pour déterminer la bonne méthode de perçage des murs ou du plancher (carrelage, bois franc, etc.).
- Ne faites pas glisser la cuisinière sur un plancher non protégé.
- Le non-respect de ces instructions comporte des risques de dommages des revêtements muraux ou du plancher.

Outils nécessaires pour l'installation du dispositif antibasculé :

- Tournevis Phillips
- Perceuse électrique ou manuelle
- Ruban à mesurer ou règle
- Foret de 3,2 mm (1/8") (mur ou sol en bois ou métal)
- Marteau
- Crayon ou autre marqueur
- Foret à béton pointe carbure de 4,8 mm (3/16") (mur ou sol en béton ou blocs de béton)
- Ancrages de 4,8 mm (3/16"), cloison en préfabriqué ou béton, 4 chaque (inutile si le support de montage est fixé sur du bois dur ou du métal)

Informations importantes concernant l'installation

- La patte antibasculé peut être fixée à une armoire en bois massif ayant une paroi d'une épaisseur minimum de 19 mm (3/4").
- Selon l'épaisseur du mur ou du plancher, il peut être nécessaire d'utiliser des vis plus longues, disponibles chez votre quincaillier.
- Au moins deux (2) vis de montage de la patte doivent être fixées sur le bois massif ou le métal.
- Utilisez des ancrages appropriés pour monter la patte antibasculé sur un matériau autre que le bois dur ou le métal.

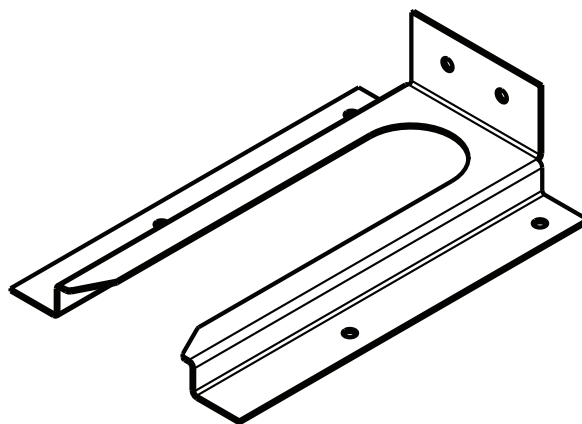


Figure 6 : Patte antibasculé

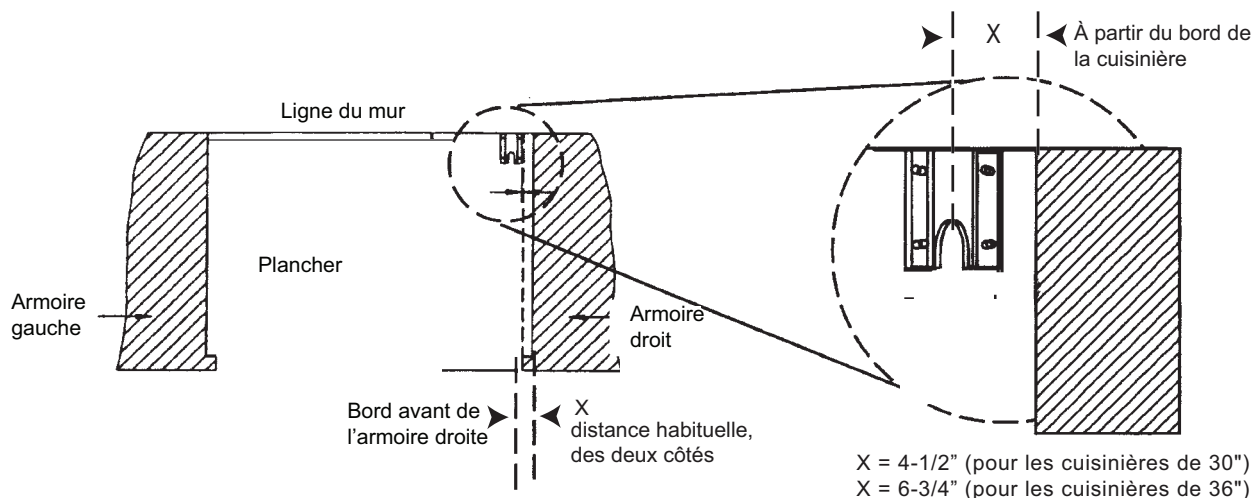


Figure 7 : Mise en place de la patte antibascule (vue du haut)

- Préparez les trous des emplacements de fixation tel qu'indiqué ci-dessous :
 - Pour les murs, montants de mur ou planchers en bois massif ou en métal, percez des trous de guidage de 3,2 mm (1/8").
 - Pour les murs ou les sols de type préfabriqué, carton-plâtre ou autres matériaux mous, percez des trous de 4,8 mm (3/16") à une profondeur minimum de 4,45 cm (1-3/4") puis enfoncez les ancrages en plastique dans tous les trous à l'aide d'un marteau.
 - Pour les murs ou les sols en béton ou en blocs en béton, percez des trous de 4,8 mm (3/16") à une profondeur minimum de 4,45 cm (1-3/4"), puis enfoncez les ancrages à béton dans les trous à l'aide d'un marteau.
 - Pour les murs ou les sols revêtus de carrelage, percez des trous de 4,8 mm (3/16") de la profondeur du carrelage puis percez derrière le carrelage comme indiqué ci-dessus.
 - Si la cuisinière doit être ultérieurement placée à un nouvel endroit, le dispositif antibascule sera enlevé et réinstallé

Montage de la patte antibascule

L'option patte montée au sol doit être installée comme suit :

1. Placez la patte sur l'emplacement comme indiqué à la Figure 7 (la patte peut être utilisée dans un des coins de l'installation).
2. Fixez-la au plancher ou au montant de mur.
3. Lorsque la cuisinière est installée, le pied réglable se glissera sous la patte.

Chapitre 5 : Exigences de l'alimentation du gaz et raccordement

Vérifiez le type de gaz utilisé à l'endroit où la cuisinière est installée. **Celle-ci est préparée à l'usine avant expédition pour être alimentée en gaz naturel. Un technicien ou l'installateur qualifié doit faire la conversion.** Assurez-vous que la cuisinière correspond au type de gaz disponible dans la région.

En cas d'installation de l'appareil à haute altitude, veuillez consulter la compagnie locale de gaz pour connaître les dimensions correctes des orifices et autres réglages nécessaires permettant une bonne combustion du gaz à l'altitude indiquée.

Le nécessaire de conversion sur place pour les cuisinières à combustion jumelée, gamme DP, est le produit PALPKITHC de Thermador. Observez toutes les instructions fournies avec ce nécessaire pour effectuer correctement la conversion du régulateur de gaz et des réglages pour les soupapes de gaz.



MISE EN GARDE

Si l'appareil est alimenté par du gaz propane, le réservoir de gaz propane doit être équipé de son propre détendeur en sus du détendeur fourni avec la cuisinière. La pression du gaz à l'entrée du détendeur de la cuisinière ne doit pas dépasser 34,9 mb (14 po, C.E.).

Exigences pour le gaz naturel :

Raccord d'entrée :	1/2" NPT interne (tuyau flexible 19,1 mm (3/4") diamètre min.)
Pression d'alimentation :	14,9 mb (6") min. à 34,9 mb (14") max. C.E.
Pression du collecteur :	12,5 mb (5") C.E.

Exigences pour le gaz propane :

Raccord d'entrée :	1/2" NPT interne (tuyau flexible 19,1 mm (3/4") diamètre min.)
Pression d'alimentation :	27,4 mb (11") min. à 34,9 mb (14") max. C.E.
Pression du collecteur :	24,9 mb (10") C.E.



AVERTISSEMENT

Le tuyau de gaz ne doit pas entrer en contact avec des composantes situées à l'intérieur du couvercle arrière de la cuisinière.

- Un robinet manuel d'arrêt de gaz doit être installé à l'extérieur de l'appareil, à un endroit accessible par le devant, pour pouvoir couper l'alimentation en gaz. Le tuyau d'arrivée de gaz ne doit pas dépasser à l'arrière de l'appareil. Assurez-vous que le robinet d'arrêt est fermé avant de raccorder l'appareil.
- La cuisinière est fournie avec un régulateur de pression non amovible qui a été monté à l'intérieur de manière permanente.
- Utilisez un raccord à gaz souple de 3/4" entre l'alimentation en gaz et le tuyau d'arrivée de gaz de l'appareil. Le tuyau d'arrivée de gaz de toutes les cuisinières est situé en bas à droite. (Voir Figure 8 et Figure 9). Le tuyau d'arrivée de gaz de l'appareil est de type NPT 1/2". Prenez garde aux pincements du tuyau flexible de 19,1 mm (3/4 po) dans les coudes. La

longueur suggérée est de 48 po. Vérifiez les codes locaux concernant ces exigences.

- Le branchement à l'arrivée de gaz doit être effectué par un technicien compétent conformément à la réglementation locale. S'il n'y a pas de codes locaux, l'installation doit être conforme à la norme en vigueur américaine du gaz combustible ANSI Z223.1/NFPA54, dernière édition, ou à la norme canadienne.
- Utilisez toujours un scellant à tuyau ou du ruban Teflon® sur les filets de tuyaux et prenez garde de ne pas serrer excessivement les raccords.
- Les tests de fuite de l'appareil doivent toujours être réalisés conformément aux instructions du fabricant.
- Ouvrez le gaz et assurez-vous qu'il n'y a pas de fuites à l'aide d'une solution savonneuse. N'utilisez pas de flamme pour faire cette vérification.
- Des bulles indiquent la présence d'une fuite. Réparer toute fuite immédiatement après l'avoir repérée.



AVERTISSEMENT

N'utilisez pas de flamme pour vérifier les fuites de gaz.



ATTENTION

L'appareil doit être isolé du système de tuyauterie d'alimentation à gaz. Pour ce faire, fermez la soupape d'arrêt manuelle individuelle pendant le test de pression du système de canalisation d'alimentation en gaz (tests de pression égale ou inférieure à 1/2 psig, 3,5 kPa).

L'appareil et sa soupape d'arrêt individuelle doivent être débranchés du système de canalisation d'alimentation en gaz pendant toute la durée du test de pression du système (tests de pression excédant 1/2 psig 3,5 kPa). Au moment de vérifier la pression de gaz du collecteur, la pression d'entrée au régulateur doit être d'au moins 6 po, C.E. (14,9 mB) pour le gaz naturel ou 11 po, C.E. (27,4 mb) pour le propane.

N'essayez pas d'ajuster du régulateur le pression.

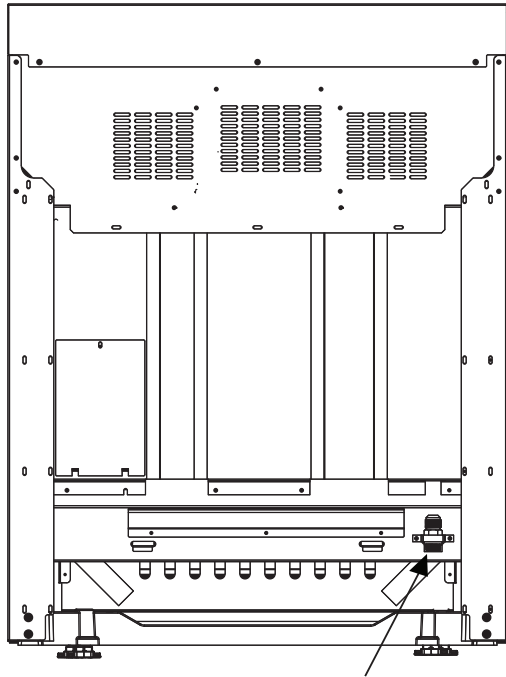


Figure 8 : Emplacement du tuyau d'arrivée de gaz pour les cuisinière de 30" et 36"

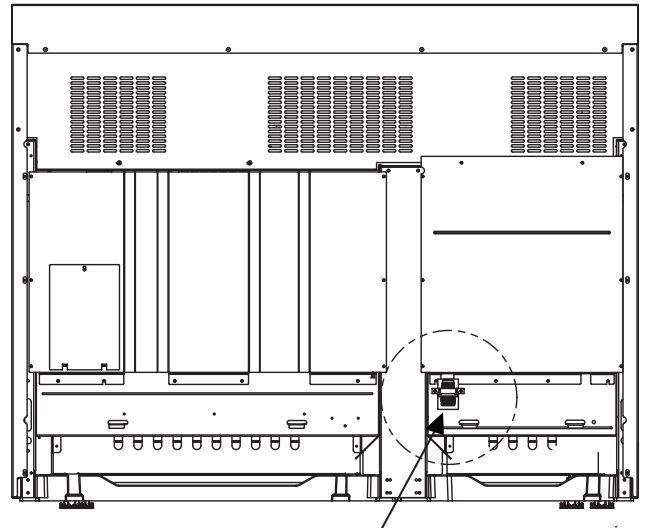


Figure 9 : Emplacement de la connexion d'entrée de l'alimentation en gaz sur cuisinières 48 po

Chapitre 6 : Exigences électriques, connexions et mise à la terre

- Avant d'effectuer l'entretien de l'appareil, débranchez toujours le cordon électrique de la prise, s'il y a lieu. Si l'appareil est branché de façon fixe, débranchez l'alimentation de l'appareil en fermant le coupe-circuit ou en enlevant le fusible approprié.

Les cuisinières à combustion jumelée ou à branchement fixe peuvent être branchées à l'alimentation tel que décrit à la page 16.

Tableau B : exigences du circuit d'alimentation électrique

TYPE de MODÈLE	TENSION	COTE DE CIRCUIT	FRÉQUENCE	PHASE
30"	240/208 VAC	35 Amps	60 Hz.	Simple
36"	240/208 VAC	35 Amps	60 Hz.	Simple
48"	240/208 VAC	50 Amps	60 Hz.	Simple

- Un fil d'alimentation neutre doit être fourni depuis la source d'alimentation (panneau coupe-circuit/fusible), car les éléments critiques de la cuisinière, incluant le module de rallumage du brûleur de surface, nécessite 120 VAC pour fonctionner de façon adéquate et sécuritaire. Une alimentation 120/220 VAC inadéquate peut causer un mauvais fonctionnement, des dommages à l'appareil et causer un risque de décharge électrique. Si un circuit d'alimentation

approprié n'est pas utilisé, il est de la responsabilité et l'obligation de l'installateur et de l'utilisateur de faire brancher l'alimentation de façon appropriée. Ceci doit être fait conformément aux codes locaux et règlements en vigueur par un électricien qualifié. En l'absence de règlements et codes locaux, la connexion d'alimentation électrique doit être conforme au Code national d'électricité.

- Observez tous les codes et règlements pertinents pour la mise à la terre. En l'absence des règlements et codes locaux, observez le Code national d'électricité ANSI/NFPA no. 70, dernière édition. Voir page 17 concernant la mise à la terre.
- Les diagrammes de câblage électrique sont situés à la base de la cuisinière et sont faciles d'accès pour le technicien qualifié.
- Les cuisinières à combustion jumelée DP peuvent être branchées à une alimentation 240/208 VAC.

Les cuisinières doivent être branchées à l'alimentation à l'aide d'une des méthodes suivantes. Pour toutes les méthodes de connexion, la longueur du cordon ou conduit câblage doit permettre de faire glisser complètement l'appareil hors de l'armoire sans le débrancher. La longueur minimale recommandée pour le cordon ou le conduit est de 4 pi. Les installations électriques et la mise à la terre doivent être conformes à tous les règlements et codes locaux et/ou au Code national d'électricité, s'il y a lieu.

- **CORDON À 4 CONDUCTEURS — NORMALEMENT, UN APPAREIL DOIT ÊTRE BRANCHÉ À L'ALIMENTATION AVEC UN CORDON À 4 CONDUCTEURS, TRIPOLAIRE, COTÉ 125/250 VOLTS, 50 AMPÈRES ET MARQUÉS POUR UTILISATION AVEC CUISINIÈRE.** Le cordon doit être fixé à la boîte de jonction de la cuisinière avec un réducteur de tension qui s'adapte à un trou de 1 po de diamètre. Si ce n'est pas le cas, le cordon doit avoir des cosses en boucle fermée de 1/4 po attachées aux extrémités libres des conducteurs individuels, préférablement soudés en place.
- **CONNEXION PERMANENTE (BRANCHEMENT FIXE)** — Les appareils peuvent avoir un branchement fixe à l'alimentation. L'installateur doit fournir un conduit en aluminium flexible approuvé, format 3/4 po, d'une longueur minimale de 6 pi. Placez la boîte de jonction à l'arrière de l'appareil et enlevez le couvercle. Voir Figure 10. Enlevez la vis de retenue du conducteur de terre et pliez le conducteur de terre vers le haut. Voir Figure 14. Le conduit doit être installé sur la boîte de jonction à l'aide d'un connecteur de conduit approuvé.
- Le câblage de l'appareil doit être acheminé à la boîte de jonction par le conduit. Les extrémités de câblage doivent avoir des cosses en boucle de 1/4 po, préférablement soudés en place. Faites les connexions sur le bloc de bornes fourni. Fixez de façon sécuritaire le fil de mise à la terre sur la boîte de jonction avec la vis précédemment utilisée pour fixer le conducteur de terre. Voir Figure 13. L'extrémité libre du conduit doit être branché à la boîte de jonction

indiquée dans la zone d'alimentation électrique et de gaz. Voir Figure 3 à la page 8.

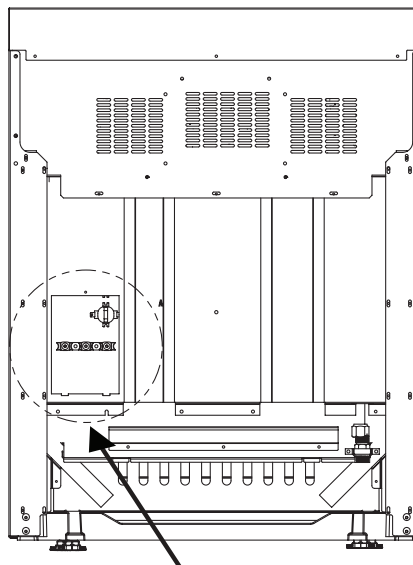


Figure 10 : Emplacement de la boîte de jonction pour les cuisinières de 30 et 36 po

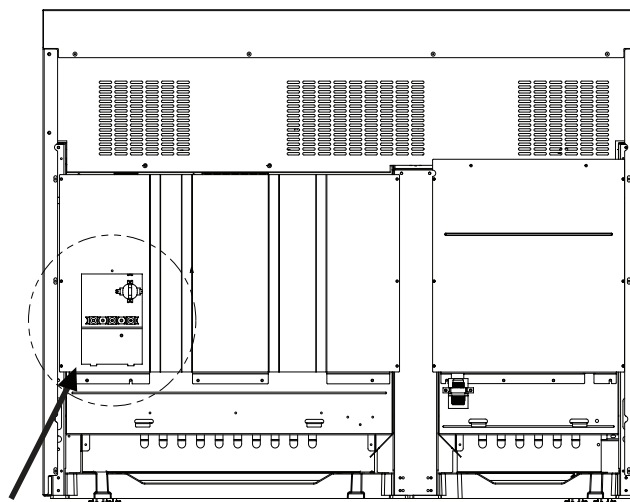


Figure 11 : Emplacement de la boîte de jonction pour les cuisinières de 48 po

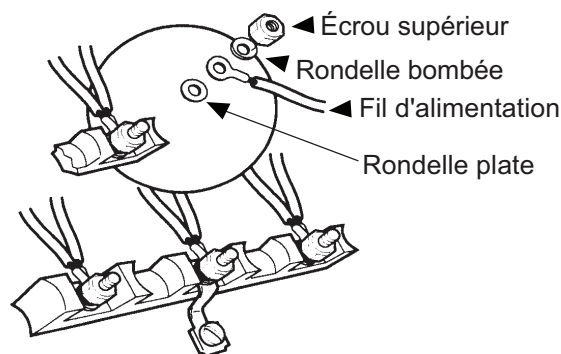


Figure 12 : Fixation du conducteur

- **CORDON À 3 CONDUCTEURS — OÙ LES CODES ET RÈGLEMENTS LOCAUX PERMETTENT LA MISE À LA TERRE PAR LE NEUTRE ET LA CONVERSION D'ALIMENTATION À 4 FILS N'EST PAS PRATIQUE, L'APPAREIL PEUT ÊTRE BRANCHÉ SUR L'ALIMENTATION AVEC CORDON À 3 CONDUCTEURS TRIPOLAIRE, COTÉ 125/250 VOLTS, 50 AMPÈRES ET MARQUÉ POUR UTILISATION AVEC CUISINIÈRE.** Le cordon doit être fixé à la boîte de jonction avec un réducteur de tension qui s'adapte à un trou de 1 po de diamètre. Si ce n'est pas le cas, le cordon doit avoir des cosses en boucle fermée de 1/4 po fixées aux extrémités libres des conducteurs individuels, préférablement soudés en place.

Installateur — Indiquez au propriétaire l'emplacement du coupe-circuit ou du fusible. Notez-le à des fins de référence.

Une alimentation à 3 ou 4 conducteurs peut être branchée sur le bloc de bornes.

Connexion à 3 fils

1. Enlevez seulement les écrous supérieurs des tiges du bloc de bornes. **N'enlevez pas les écrous qui maintiennent les fils de câblage internes de la cuisinière.**
2. Fixez le fil neutre, le fil de mise à la terre du circuit d'alimentation, à la tige centrale du bloc de bornes avec un écrou, Voir Figure 13.
3. Fixez les fils L1 (noir) et L2 (rouge) aux tiges du bloc de borne extérieur (couleur laiton) avec des écrous.
4. Serrez bien les écrous.

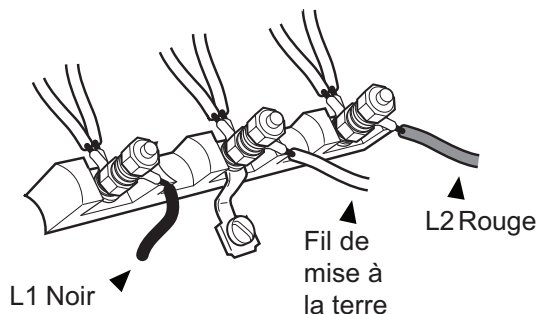


Figure 13 : Connecteur à 3 fils

Connexion à 4 fils

1. Enlevez seulement les écrous supérieurs des tiges du bloc de bornes. **N'enlevez pas les écrous qui maintiennent les fils de câblage internes de la cuisinière.**
2. Enlevez la vis du connecteur de terre et pliez le connecteur comme à la Figure 14.
3. Fixez le fil neutre sur la tige centrale du bloc de bornes avec un écrou.
4. Fixez les fils L1 (noir) et L2 (rouge) aux tiges du bloc de bornes extérieur (couleur laiton) avec des écrous.
5. Fixez le fil de mise à la terre cuivre nu sur le châssis de la cuisinière à l'aide de la vis de mise à la terre précédemment utilisée pour le connecteur de terre. Assurez-vous que les bornes du fil neutre et du fil de mise à la terre ne se touchent pas.
6. Serrez bien toutes les connexions.

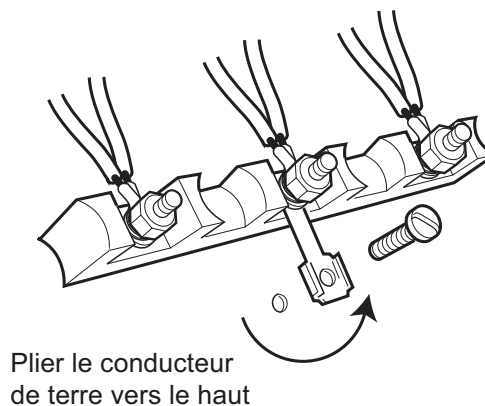


Figure 14 : Conducteur de terre

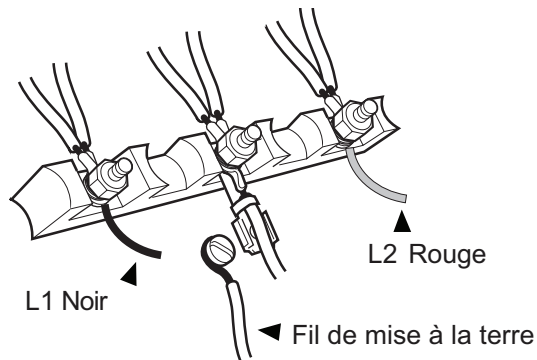


Figure 15 : Fil neutre sécuritaire

Chapitre 7 : Installation du dosseret

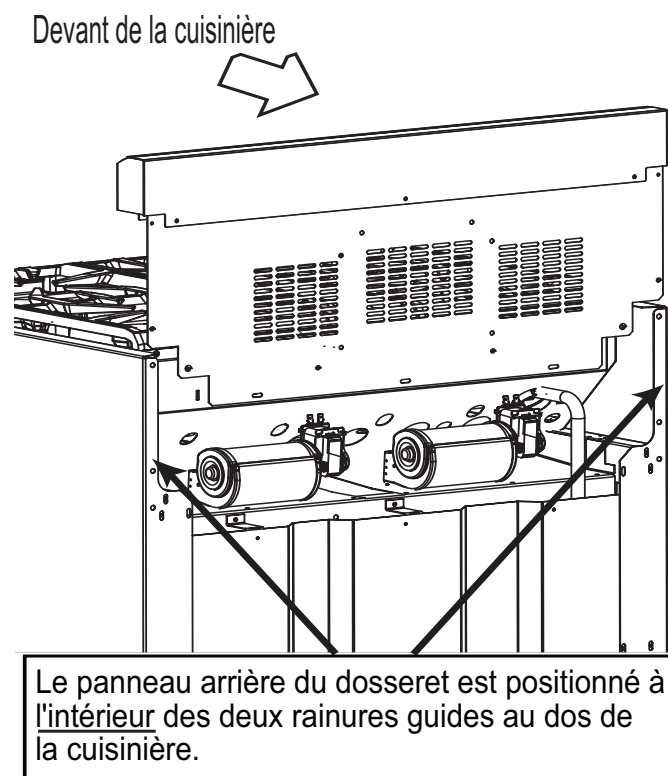


Figure 16 : Emplacement du dosseret



AVERTISSEMENT

- Pour éviter les brûlures ou les risques d'incendie, un dosseret conçu spécifiquement pour cette cuisinière doit être installé à l'appareil.
- NE tentez PAS d'installer le dosseret Thermador, qui est doté de trou d'aération dans le panneau arrière pour alimenter seulement un ventilateur de refroidissement (voir Figure 16).

Voir le tableau C pour la taille correcte du kit de Dosseret.

- Le dosseret doit être installé avant de pousser la cuisinière en place. Un modèle bas ou une tablette à casseroles doit être installé lorsqu'il y a moins de 12 po d'espace libre entre le mur arrière combustible et le dos de la cuisinière au-dessus de la surface de cuisson.
- Une garniture d'îlot encastrée pour l'îlot est disponible pour couvrir le dosseret de la cuisinière lors d'une installation de type îlot. Toutefois, la garniture d'îlot encastrée peut être utilisée seulement lorsqu'il y a un dégagement horizontal minimum de 12 po entre le mur arrière combustible et le dos de la cuisinière.
- Le dosseret est inséré à l'intérieur des rainures guides au dos de la cuisinière, tel qu'illustré à la Figure 16. (Enlever l'assemblage de grille pour un dégagement d'installation suffisant pour les modèles avec grille.) À l'aide d'une clé Torx T-20, fixez le dosseret avec les quatre (4) vis Torx sur les panneaux latéraux de la cuisinière.
- La tablette à casserole requiert un pré-assemblage du panneau supérieur à la tablette en utilisant les neuf (9) vis Torx comprises. Pour une charge suffisante, IL FAUT fixer deux (2) vis dans les coins inférieurs du haut de la tablette. Utilisez trois (3) vis Torx pour installer la bande au dos de la cuisinière, tel qu'illustré. Le centre de la bande peut être soutenu par une languette depuis le panneau arrière et ne requiert pas de vis.
- Pour fixer le devant du dosseret, installez trois (3) vis Torx au panneau avant inférieur du dosseret, dans le rebord au dos de la surface de la cuisinière.
- La tablette à casserole au-dessus de la surface de cuisson permet de conserver les aliments chauds ou de ranger les casseroles. **OBSERVEZ LES MISES EN GARDE CI-DESSOUS.**



MISE EN GARDE

La tablette à casserole peut devenir très chaude NE placez PAS les articles suivants sur la tablette à casseroles.

- Plastique ou contenant pouvant fondre
- Articles inflammables
- Articles pesant plus de 30 lb (13,6 kg)

Tableau C: Numéro de modèle de dossieret

Modèle	6 po Dossieret standard	9 po Dossieret bas	22 po Dossieret tablette à casserole	Garniture d'îlot encastrée
30 po	Inclus avec la cuisinière	N/D	PA30GSH	PA30GITH
36 po	N/D	PA36GLBH	PA36GSH	Inclus avec la cuisinière
48 po	N/D	PA48GLBH	PA48GSH	Inclus avec la cuisinière

Chapitre 8 : Retrait et installation de la porte



MISE EN GARDE

FAITES ATTENTION LORSQUE VOUS ENLEVEZ LA PORTE, ELLE EST LOURDE.

- Assurez-vous que le four est froid et que l'alimentation est hors circuit avant de retirer la porte. Sinon, il pourrait en résulter une décharge électrique ou une brûlure.
- La porte est lourde et fragile. Utilisez vos deux mains pour enlever ou installer la porte.
- Prenez la porte par les côtés pour l'enlever ou l'installer.
- Si la porte n'est pas saisie fermement et adéquatement, cela peut causer des dommages au produit ou des blessures.
- Une fois la porte enlevée, ne dégagez pas les leviers et ne fermez pas les charnières. Sans le poids de la porte, les ressorts fermeront les charnières avec beaucoup de force.

Retrait de la porte :

1. Ouvrez complètement la porte
2. Tirez la pince vers vous (voir Photo B).
3. Fermez la porte jusqu'à ce qu'elle arrête; la pince maintient la porte entrouverte.
4. Prenez la porte par les côtés. Elle est lourde et fragile; utilisez vos 2 mains. Soulevez la porte et sortez-la (les ressorts offriront une certaine résistance.) Lorsque le devant de la porte est suffisamment haut, il sera possible de la sortir droite.

5. Placez la porte dans un endroit sûr.



Photo A: Charnière en position fermée

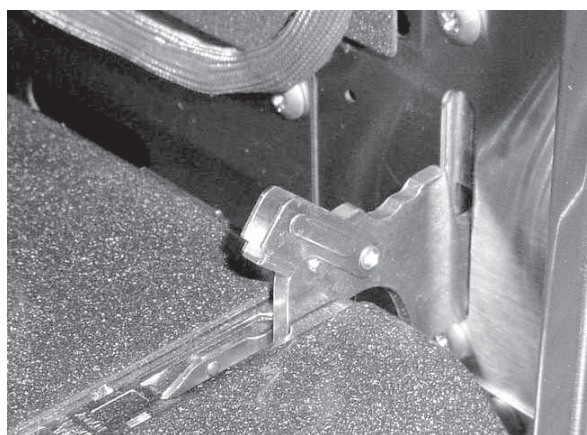


Photo B: Pousser la pince vers soi

Installation de la porte :

1. Tenez la porte par les côtés. Insérez les charnières dans les fentes. La porte sera entrouverte.
2. Il peut être nécessaire de peser fermement vers l'intérieur sur la portion inférieure de la porte avec un mouvement de bascule pour que la porte repose complètement sur les charnières.
3. Ouvrez la porte complètement pour exposer les pinces, pousser-les loin de vous (vers le four) jusqu'à ce qu'elles rencontrent la charnière.
4. Fermez et ouvrez la porte lentement pour vérifier l'installation; elle doit être droite et non de travers.

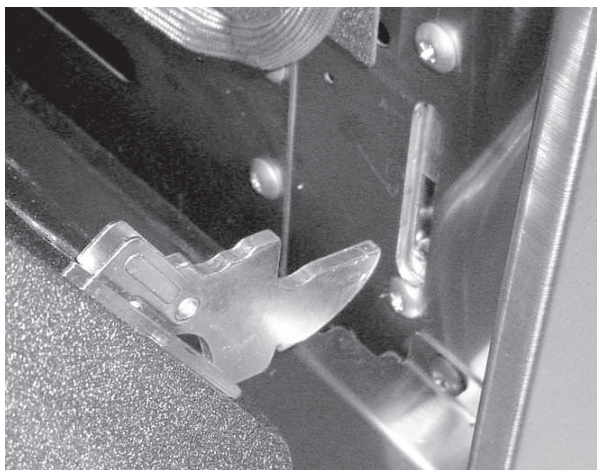


Photo C: Charnière retirée du four

Chapitre 9 : Test et réglage des brûleurs

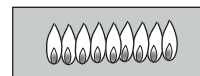
Installez tous les éléments libres, comme les capuchons et les grilles des brûleurs, ayant été retirés précédemment. Assurez-vous que les capuchons des brûleurs sont adéquatement placés sur les bases des brûleurs. Avant de vérifier le fonctionnement de l'appareil, assurez-vous qu'aucune fuite n'émane de l'appareil et de la soupape de gaz, assurez-vous que l'appareil est branché à l'alimentation électrique. Ouvrez la soupape d'arrêt de gaz manuelle.

Vérifiez les brûleurs de surface

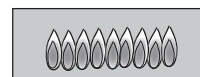
Vérifiez la fonction d'allumage des brûleurs. Choisissez un bouton de brûleur. Poussez et tournez dans le sens antihoraire à **HI**. Le module allumeur/étincelle produit un déclic. Une fois l'air purgé de la canalisation d'alimentation, le brûleur devrait s'allumer en moins de 4 secondes.

Vérifiez la flamme. Réglage haut. Tournez le bouton à **HI**. Voir Figure 17 pour les caractéristiques de flamme appropriées.

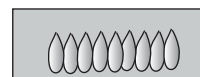
Flamme jaune :
Réglage nécessaire.



Pointe jaune sur cône extérieur :
Normal pour gaz LP.



Flamme bleue :
Normal pour gaz naturel.



Si la flamme est complètement ou presque jaune, assurez-vous que le régulateur est réglé pour le combustible approprié. Après le réglage, vérifiez de nouveau.

Des rayures de couleur orangée sont normales pendant la mise en marche initiale.

Laissez l'appareil fonctionner de 4 à 5 minutes et évaluez de nouveau avant d'effectuer les réglages.

Figure 17 : Caractéristiques de flamme

Si un des brûleurs de surface continue de brûler ou qu'il est complètement jaune, vérifiez si le capuchon est positionné adéquatement sur la base du brûleur, puis essayez de nouveau. Si les caractéristiques de flamme ne s'améliorent pas, communiquez avec Thermador.

Vérifiez la flamme. Réglage bas. Tournez le bouton à **SIM**. Vérifiez si la flamme enveloppe complètement le brûleur. Il doit y avoir une flamme à chaque port du brûleur et il ne doit pas y avoir d'intervalle d'air entre la flamme et le brûleur. Si les brûleurs ne sont pas enveloppés, communiquez avec Thermador.

Les 2 brûleurs de surface du côté gauche sont dotés de la fonction **XLO**, faisant effectuer un cycle marche-arrêt à la flamme lorsque le bouton est réglé à **XLO**. Cela est normal.

Répétez l'allumage et la vérification de la flamme décrits ci-dessus pour chaque brûleur de surface et pour celui du gril (si tel est le cas).

Lorsque la flamme est adéquatement réglée :

Il doit y avoir une flamme à chaque port du brûleur. Il ne doit pas y avoir d'intervalle d'air entre la flamme et le port du brûleur.

Communiquer avec Thermador si :

1. Un brûleur ne s'allume pas.
2. Si la flamme d'un brûleur reste jaune.

Liste de vérification pour l'installateur

Liste finale de vérification

- Les distances spécifiées entre l'appareil et les armoires adjacentes sont respectées.
- Le nivellement de l'appareil d'avant vers l'arrière, et d'un côté à l'autre a été effectué.
- Les chapeaux de brûleurs sont bien placés sur les bases des brûleurs.
- Tous les matériaux d'emballage ont été enlevés.
- La garniture d'îlot ou le dossier est installé selon les instructions.
- La base a été fixée à l'aide de deux (2) vis.
- Le gril et le cadre sont bien positionnés, inclinés légèrement vers l'avant (voir page 11).

Alimentation en gaz

- Le robinet manuel d'arrêt de gaz a été installé à un endroit accessible (sans devoir déplacer la cuisinière).
- L'appareil a été testé et n'a pas de fuites de gaz.
- Si le cuisinière fonctionne au gaz propane, assurez-vous que l'alimentation en propane est pourvue de son propre détendeur en plus du détendeur fourni avec l'appareil.

Électricité

- La prise de courant sur laquelle le cordon d'alimentation est branché est bien protégée contre les surtensions.
- Une mise à la terre adéquate a été installée.

Fonctionnement

- Les cadrans des boutons sont bien centrés et les boutons tournent librement.
- Chaque brûleur s'allume correctement, seul ou avec d'autres brûleurs allumés.
- La grille est légèrement inclinée vers l'avant et ne bouge pas (certains modèles).
- Les crochets charnières de la porte du four sont bien en place et se verrouillent correctement. La porte s'ouvre et se ferme correctement.
- Les grilles des brûleurs sont bien placées, nivelées et ne bougent pas.
- Mise en marche de l'autonettoyage. Lorsque le voyant **CLEANING** (nettoyage) s'allume, vérifiez si la porte est verrouillée. Annulez le mode autonettoyage.
- **INSTALLATEUR** : Laissez le GUIDES D'UTILISATION, D'ENTRETIEN ET D'INSTALLATION au propriétaire.

Nettoyage et protection des surfaces externes

Les surfaces en acier inoxydable se nettoient en passant un chiffon mouillé à l'eau savonneuse. Rincez à l'eau claire puis séchez avec un chiffon sec pour éviter les traces d'eau. Retirez les traces de doigts et les traînées avec un produit à vitres doux.

En cas de décoloration ou de tache persistante, consultez le Manuel d'utilisation et d'entretien.

Pour faire briller et protéger l'acier inoxydable, utilisez un produit nettoyant ou un poli comme Stainless Steel Magic®.

NE laissez PAS les taches s'incruster.

N'utilisez PAS de tampons ni de brosses métalliques. De petits morceaux de métal risquent d'adhérer à la surface et de la faire rouiller.

NE laissez PAS les solutions salines, les désinfectants, l'eau de Javel ou les produits de nettoyage en contact avec l'acier inoxydable. Ces produits contiennent en général des produits chimiques susceptibles de l'endommager. Rincez-les à l'eau puis séchez avec un chiffon sec.

Contenidos

Instrucciones de seguridad	.2
Información importante de instalación	.2
Paso 1: Requerimientos de ventilación	3
Paso 2: Preparación de gabinetes	5
Paso 3: Desempacar, mover y posicionar la estufa	10
Paso 4: Instalar el dispositivo antivolcadura	11
Paso 5: Requerimientos de gas y conexiones	13
Paso 6: Requerimientos eléctricos, conexión y puesta a tierra	15
Paso 7: Instalación de la consola trasera de protección	18
Paso 8: Quitar y reinstalar la puerta	19
Paso 9: Pruebas y Ajustes de Quemador	20
Lista de chequeo del instalador	21
Para limpiar y proteger las superficies exteriores	.22

Este electrodomestico de Thermador es hecho por
BSH Home Appliances Corporation
5551 McFadden Ave.
Huntington Beach, CA 92649

¿Preguntas?

1-800-735-4328

www.thermador.com

¡Esperamos oír de usted!

Para Instalaciones en Massachusetts:

1. La instalación debe ser realizada por un contratista, plomero o técnico de gas calificado autorizado, quien está calificado o autorizado por el estado, la provincia o región donde se está instalando este aparato.
2. La válvula de cierre debe ser un grifo de gas en T.
3. El conector flexible de gas no debe medir más de 36 pulgadas.



ADVERTENCIA

La falta de observar la información en este manual puede causar un fuego o una explosión, y como resultado daños a la propiedad, lesiones o la muerte.

— No guarde o use materiales combustibles, gasolina u otros vapores y líquidos inflamables cerca de este o cualquier otro aparato.

— QUÉ HACER CUANDO HUELE A GAS

- No trate de encender ningún aparato.
 - No toque ningún interruptor eléctrico.
 - No use ningún teléfono en su edificio.
 - Llame de inmediato a su proveedor de gas desde el teléfono de algún vecino.
Siga las instrucciones de su proveedor de gas.
 - Cuando no pueda localizar a su proveedor de gas, llame a los bomberos.
- Un instalador calificado, una agencia de servicio autorizada o el proveedor de gas debe realizar la instalación y el servicio.



ADVERTENCIA

- **Todas las estufas pueden volcarse**
- **Esto puede causar lesiones serias**
- **Instale el dispositivo antivolcadura**
- **Vea las instrucciones de instalación**



PARA REDUCIR EL RIESGO DE VOLCADURA DEL APARATO, SE DEBE FIJAR ÉSTE CON UN DISPOSITIVO ANTIVOLCADURA. VERIFIQUE QUE EL DISPOSITIVO ANTIVOLCADURA ESTÉ BIEN ENGANCHADO SEGÚN LAS INSTRUCCIONES DE INSTALACIÓN. (NOTA: SE REQUIERE EL DISPOSITIVO ANTIVOLCADURA EN TODAS LAS ESTUFAS DE 30" Y 36").

Instrucciones de seguridad



Instrucciones importantes de seguridad

GUARDE Y LEA LAS INSTRUCCIONES

APROBADO PARA TODAS LAS UNIDADES RESIDENCIALES

ÚNICAMENTE PARA USO RESIDENCIAL

IMPORTANTE: Guarde estas instrucciones para el uso del Inspector Local de Electricidad.

INSTALADOR: Por favor deje estas instrucciones con esta unidad para el propietario.

PROPIETARIO: Por favor retenga estas instrucciones para referencia futura.



ADVERTENCIA

Desconecte la corriente antes de la instalación. Antes de prender la corriente, asegúrese que todos los controles estén en la posición **OFF** (Apagado).

Importante:

Los códigos locales pueden variar. La instalación, las conexiones eléctricas y la puesta a tierra deben cumplir con todos los códigos aplicables



ADVERTENCIA

No use una flama de ningún tipo para verificar si hay fugas de gas.

Desconecte la corriente antes de la instalación. Antes de prender la corriente, asegúrese que todos los controles estén en la posición **OFF** (Apagado).

Nota:

Esta estufa **NO** está diseñada para la instalación en casas rodantes o en remolques que se usan en parques recreativos.

No instale esta estufa en exteriores.

Información importante de instalación

Verificación del tipo de GAS

Verifique el tipo de gas suministrado en el lugar. Asegúrese que el aparato esté conectado al tipo de gas para el cual está certificado. Todos los modelos están certificados para el uso con gas natural. La conversión del aparato para el uso con gas propano requiere de un kit de conversión.



ADVERTENCIA

Para evitar un posible riesgo de quemaduras o fuego se debe instalar una consola trasera de protección diseñada específicamente para esta estufa siempre que se usa la estufa.

Consulte “Tabla C: Número de modelo para los kits de las consolas traseras de protección” en la página 19 para los modelos de consolas correctas que están diseñadas para esta estufa. Después de seleccionar la consola trasera correcta se debe instalar la estufa correctamente, usando los mínimos espacios libres a superficies combustibles especificadas en las

instrucciones de instalación de gabinetes en la página 5.

Importante:

- Se debe usar una consola trasera de protección cuando hay menos de 12” espacio libre horizontal entre materiales combustibles y el fondo de la estufa. Se debe pedir por separado la consola trasera de protección Thermador e instalarla en la parte trasera de la estufa. (Los modelos de 30” vienen con una consola LowBack) Para instalaciones tipo isla y donde hay espacio libre mayor de 12”, hay disponible una moldura opcional tipo isla de acero inoxidable para tapar las bridas de montaje.
- Verifique que el aparato sea el correcto para el tipo de gas. Consulte el Paso 5 en la página 13 antes de seguir con la instalación.

Este aparato ha sido probado bajo los estándares ANSI Z21.1 para Aparatos de Cocina Domésticos (EEUU) y de

acuerdo con la CAN 1.1-M81 Rangos Domésticos de Gas (Canadiense).

Es altamente recomendado que este aparato se instalado en conjunto con una **campana de extracción superior** apropiada. (Vea “Paso 1: Requerimientos de ventilación” en la página 3.) Debido a la alta capacidad de calentamiento de esta unidad, se debe prestar particular atención al trabajo de instalación de la campana y del ducto para asegurar que cumpla con los códigos locales de construcción.

Consulte los códigos locales de construcción para el método apropiado de instalación del aparato. Los códigos locales pueden variar. La instalación, conexiones eléctricas y conexiones a tierra deben cumplir con los códigos aplicables. En la ausencia de códigos locales el aparato debe ser instalado de acuerdo al National Fuel Gas Code (Código Nacional de Gas Combustible) ANSI Z223.1/NFPA 54 vigente y al National Electrical Code (Código Nacional de Electricidad) ANSI/NFPA 70 vigente. En Canadá, la instalación debe ser conforme al 1-B149.1 and .2 – Installation Codes for Gas Burning Appliances (Códigos de Instalación para Unidades que Quemar Gas) y/o códigos locales.

Suministro de gas:

Gas natural — 6 pulg. columna agua (14.9 mb) mín., 14 pulg. (34.9 mb) máximo

Gas propano — 11 pulg. columna agua (27.4 mb) mín., 14 pulg. (34.9 mb) máximo

Alimentación eléctrica:

(Vea página 15 para las especificaciones.)



PRECAUCIÓN

Cuando conecte la unidad a gas propano, asegúrese que el tanque de gas propano venga con su propio regulador de alta presión además del regulador de presión que se incluye con la estufa. **La máxima presión de gas a este aparato no debe exceder 14.0 pulgadas de columna de agua (34.9 mb) del tanque de gas propano al regulador de presión.**



PRECAUCIÓN

Esta unidad está diseñada como un aparato para cocinar. Basado en las consideraciones de seguridad, nunca debe usarlo para calentar una habitación.

Esta unidad cumple con uno o más de los siguientes Estándares:

- UL 858, La norma para la seguridad de estufas electrodomésticas

- UL 923, La norma para aparatos (hornos) de microondas
- UL 507, La norma para la seguridad de ventiladores eléctricos
- ANSI Z21.1, La norma americana nacional para aparatos domésticos de cocina que funcionan con gas
- CAN/CSA-C22.2 No. 113-M1984 Ventiladores
- CAN/CSA-C22.2 No. 61-M89 Estufas domésticas

Es responsabilidad del propietario y del instalador el determinar si aplican requerimientos y/o estándares adicionales a instalaciones específicas.

Debido a la alta temperatura de los quemadores de la cubierta, no es recomendado instalar un microondas con un sistema de ventilación arriba de la cubierta.

Paso 1: Requerimientos de ventilación

Recomendamos fuertemente instalar una campana apropiada arriba de la estufa para extraer el aire. No se debe utilizar una ventilación descendente. La Tabla en la página 4 indica las campanas de Thermador, ordenadas por número de modelo, que se recomiendan para el uso con todas las estufas.

1. Seleccionar la campana y el ventilador:

- Para instalaciones en la pared, el ancho de la columna debe ser por lo menos igual al ancho de la superficie de la estufa para cocinar. Donde el espacio lo permite se puede instalar una campana más ancha que la superficie de cocinar para mejorar el funcionamiento de la campana.
- Para instalaciones tipo isla, el ancho de la campana colgada debe rebasar el ancho de la superficie de cocinar de la estufa al menos por 3" en cada lado.

Importante:

Las campanas de ventilación y los ventiladores están diseñados para usarse con ductos sencillos de pared. Sin embargo, algunos códigos locales de construcción o inspectores de obras pueden requerir ductos dobles de pared. Consulte los códigos locales de construcción y/o las agencias locales antes de comenzar, para estar seguro que la instalación de la campana y de los ductos cumplen con los requerimientos locales.

No instalar una combinación de microondas con horno/ventilador sobre la estufa, pues estos tipos de unidades no proporcionan la ventilación apropiada y no son convenientes para el uso con la estufa.

2. Colocar la campana:

- Para eliminar mejor el humo se debe instalar el borde inferior de la campana a una distancia mínima de 30" arriba de la superficie de cocinar de la estufa (Vea Figura 1).
- Si la campana contiene algunos materiales combustibles (i.e., una cubierta de madera), debe quedar instalado 40" arriba de la superficie de cocinar.

AVISO:

La mayor parte de las estufas tienen componentes combustibles que se deben tener en cuenta al planificar la instalación.

3. Considerar aire de reposición:

- Debido al alto volumen del aire de ventilación, se recomienda tener una fuente externa para reemplazar el aire. Esto es sumamente importante para hogares muy bien sellados y aislados.
- Debe consultar a un contratista calificado de calefacción y ventilación.

Ancho de Estufa	Configuración de Superficie de la Estufa	Recomendación Mínima de Capacidad del Soplador *	Opciones de Ventilación
30"	4 quemadores	800 CFM	30" ó 36" Campana de Pared Pro 30" ó 36" Inserto personalizado con soplador opcional 42" Campana de Isla con soplador opcional
36"	4 quemadores con plancha	1,000 CFM	36" ó 42" Campana de Pared Pro 36" Inserto personalizado con soplador opcional
	6 quemadores	1,100 CFM	42" ó 48" Campana de Isla con soplador opcional
48"	6 quemadores con plancha	1,300 CFM	48"*** ó 54" Campana de Pared Pro 48" Inserto personalizado con soplador opcional 54" Campana de Isla con soplador opcional

Notas Importantes:

Es recomendado que la campana de pared o de isla del Thermador Profesional o inserto personalizado es utilizado con Estufas Thermador Profesionales.

Como soluciones de ventilación para estas estufas se recomiendan las campanas de pared profesionales de la serie HPWB o los insertos profesionales hechos a la medida. Las campanas de pared profesionales de la serie PH son también una opción viable, sin embargo, la profundidad de 27" de la serie PH tal vez no sirve para todas las aplicaciones.

Refiérase a www.Thermador.com para una selección completa de opciones de Ventilación Profesionales, Sopladores, y Accesorios.

* Para estufas de gas de alta producción (60,000 BTU o mayores), el mínimo de uno (1) CFM de ventilación por cada 100 BTU es recomendado. Si la estufa tiene una plancha, agregue 200 CFM a la capacidad estimada del soplador. Capacidad adicional del soplador puede ser requerida para ductos largos.

Para aplicaciones de isla, es recomendado que utilice un ancho de campana que exceda el ancho de la estufa por 6" (coincidiendo con la estufa por un mínimo de 3" en cada lado).

**No todos los modelos de campanas de pared Pro de 48" pueden acomodar un ventilador de 1300 CFM.

CFM = "pies cúbicos por minuto" (tasa de capacidad de soplador estándar).

Paso 2: Preparación de gabinetes

1. La estufa es autoestable. Si desea colocar la unidad junto a gabinetes, se deben observar los espacios libres que se muestran en la Figura 1. Los mismos espacios libres aplican a instalaciones tipo isla, excepto por los gabinetes colgados, que deben tener un espacio suficientemente ancho para aceptar la campana de isla acampanada, como se indica en la Figura 1.
2. Se pueden empotrar estas estufas en los gabinetes más allá del borde de la cara delantera del horno (Vea Figura 2).



PRECAUCIÓN

En estas instalaciones, la puerta y el gabinete pueden causar el riesgo de pellizcarse.

3. El suministro eléctrico y de gas debe quedar dentro de la zona indicada en la Figura 3a.

Nota:

La máxima profundidad de gabinetes colgados instalados en cualquier lado de la campana es 13" (305 mm).

Debe haber un espacio libre mínimo de 40 pulgadas (101.6 cm) entre la parte superior de la superficie de cocinar y el fondo de un gabinete no protegido. Se necesita un espacio libre de 30" (76.2 cm) cuando el fondo del gabinete de madera o metal está protegido por no menos de 1/4 pulgada (6.35 mm) de un material retardante al fuego cubierto con no menos de lámina de acero calibre 28 MSG, acero inoxidable con un grosor de 0.015-pulg. (0.4 mm), aluminio con un grosor de 0.024-pulg (0.6 mm), o cobre con un grosor de 0.020-pulg. (0.5 mm). Los materiales retardantes al fuego llevan la leyenda de siguiente:

UNDERWRITERS LABORATORIES INC. CLASSIFIED MINERAL Y FIBER BOARDS SURFACE BURNING CHARACTERISTICS

Seguido por la propagación de llamas y las clasificaciones de humo, estas designaciones aparecen como "FHC (Propagación de llamas/Humo desarrollado)". Materiales con una clasificación de propagación de llamas de "O" son retardantes al fuego. Los códigos locales pueden permitir otras clasificaciones para la propagación de llamas.

4. Se debe sellar cualquier abertura en la pared detrás de la estufa y en el piso debajo de la estufa.
5. Cuando hay menos de 12" de espacio horizontal Δ libre entre el material combustible y el borde trasero de la estufa arriba de la superficie de cocinar, se debe instalar una consola trasera de protección baja o un estante de olla y sartén de Thermador. (Vea Figura 2a). Cuando el espacio horizontal libre al material combustible Δ es mayor a 12" (30cm), se puede usar una moldura de isla al ras de Thermador. Las Figuras 2 indican el espacio necesario para cada tipo de consola trasera.
6. Siempre mantenga limpia el área del aparato y libre de materiales combustibles, gasolina y otros vapores y líquidos inflamables.
7. No obstruya el flujo del aire de combustión y de ventilación a la unidad.
8. La separación mínima de la (10) pulgadas es necesaria cuando la estufa está instalada al lado de una pared combustible.

Δ Como está definido en "National Guel Gas Code" (ANSI Z223.1, Edición Vigente).

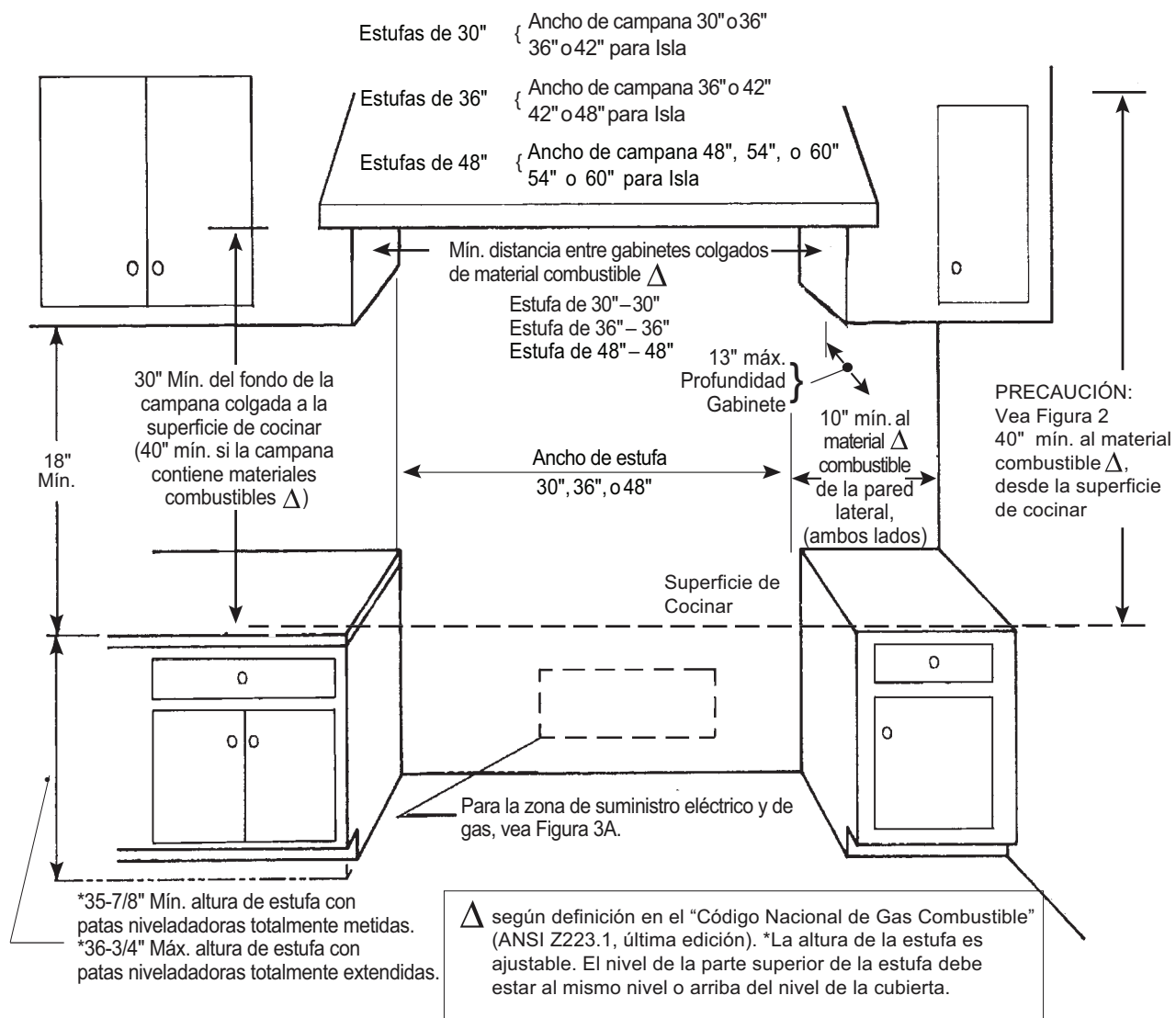
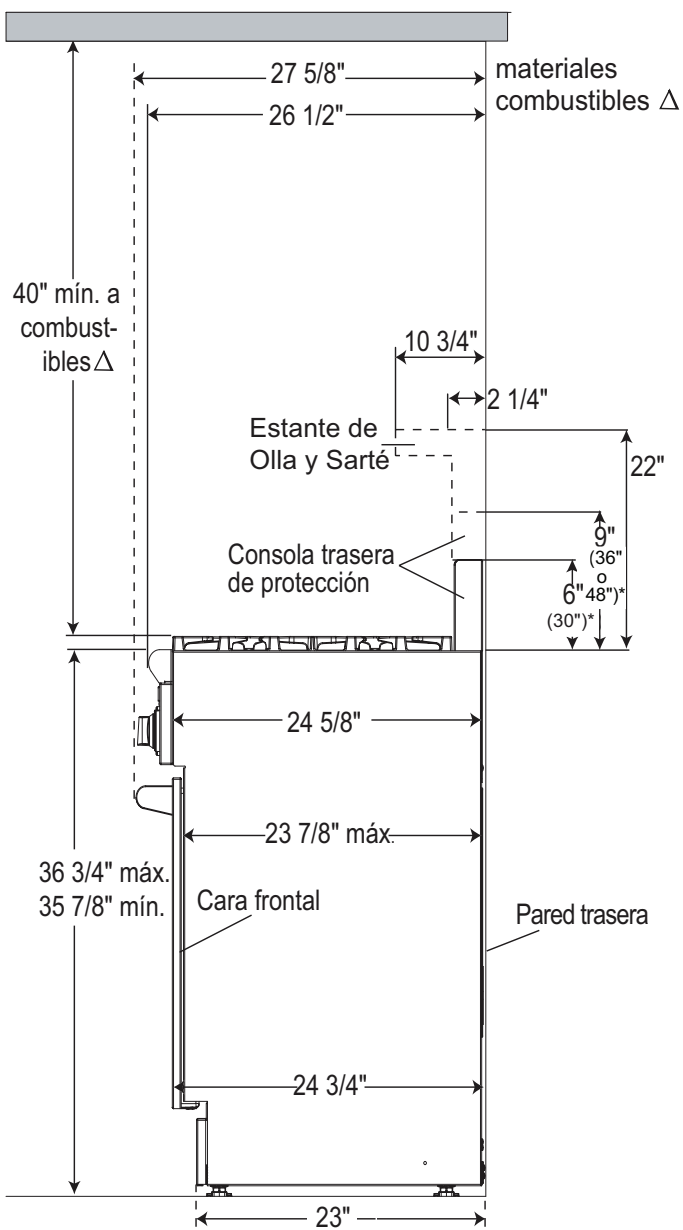
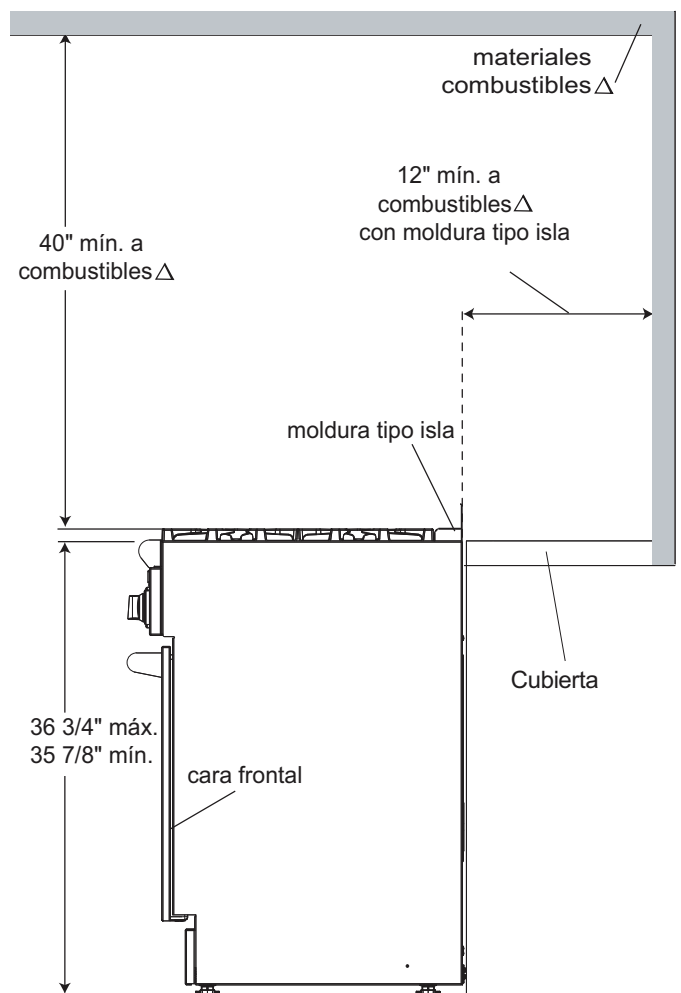


Figura 1: Espacios libres de los gabinetes



**INSTALACIÓN CON “CONSOLA DE PROTECCIÓN”
O “ESTANTE DE OLLAS”**



INSTALACIÓN CON “MOLDURA DE ISLA AL RAS”

△ según definición en el “Código Nacional de Gas Combustible” (ANSI Z223.1, edición vigente).

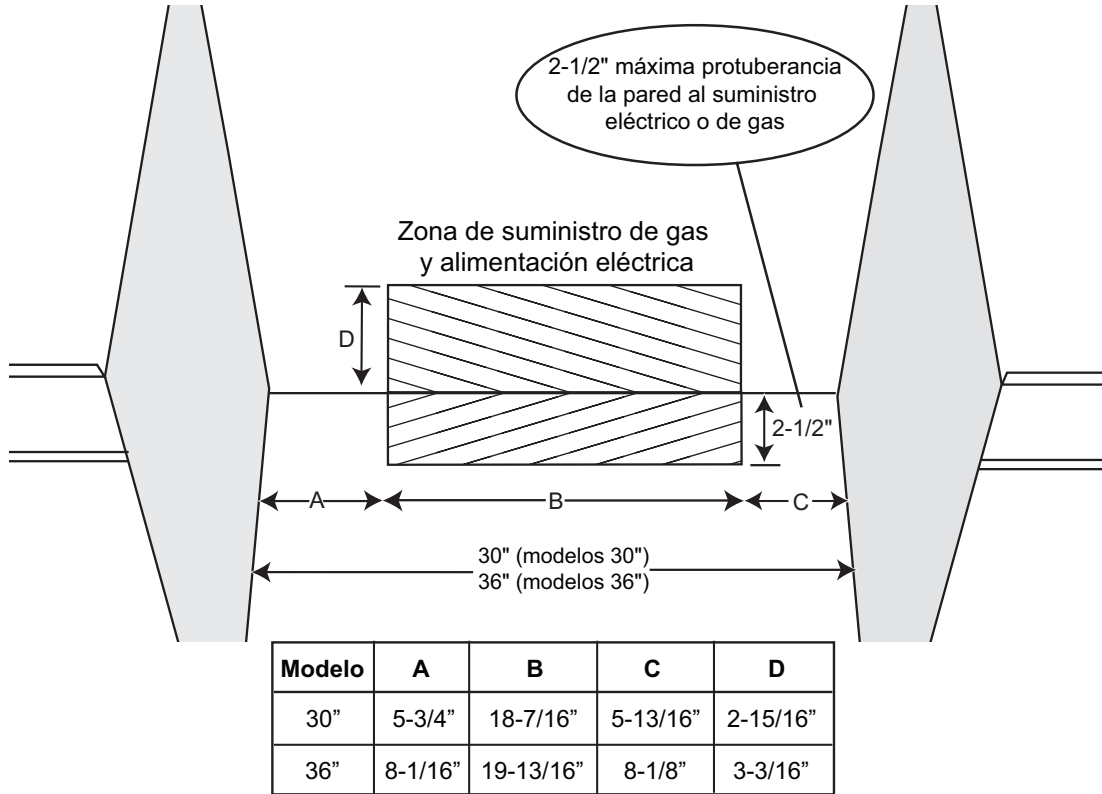
Figura 2: Vista lateral

* Se refiere a modelos de estufas de 30", 36" y 48".

Nota:

Con la puerta del horno totalmente abierta, la parte superior de la puerta se extiende a 44 7/8" (114 cm) de la pared trasera, detrás de la estufa cuando se instala. La instalación debe permitir suficiente espacio libre para poder moverse alrededor de la puerta cuando ésta esté totalmente abierta.

Localización de la conexión de alimentación de gas e eléctrico en estufas de doble combustible de 30" et 36"



Localización de la conexión de alimentación de gas e eléctrico en estufas de doble combustible de 48"

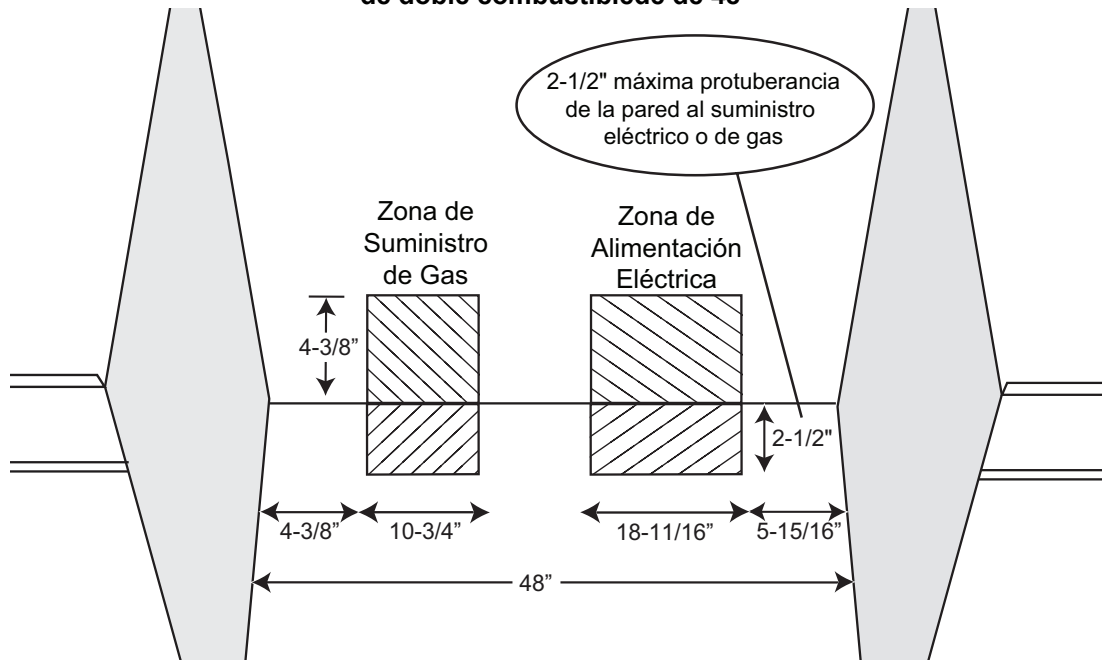


Figura 3a: Suministro eléctrico y de gas para las estufas de doble combustible

Nota:

Si aún no existe, instale una válvula manual de cierre de gas en un lugar de fácil acceso. Asegúrese que todos los usuarios sepan dónde y cómo cerrar el suministro de gas a la estufa.

Nota:

El instalador debe informarle al consumidor dónde se encuentra la válvula de cierre de gas.

Nota:

Se debe sellar cualquier abertura en la pared detrás del aparato y en el piso debajo de la estufa.

Se pueden conectar las estufas de doble combustible a la fuente de alimentación eléctrica con un kit con el cable de alimentación de la estufa que se incluye con la estufa o mediante una conexión directa a la fuente de alimentación. Es la responsabilidad del instalador proporcionar los componentes correctos del cableado (cable o conducto y alambres) y terminar la conexión eléctrica conforme a los códigos y regulaciones locales, y/o el Código Eléctrico Nacional. Las unidades deben estar puestas a tierra correctamente. Consulte el Paso 6 para detalles. Los modelos canadienses incluyen el cable de alimentación eléctrica.

Se debe conectar la estufa solamente al tipo de gas para el cual está certificada. Si se quiere conectar la estufa a gas propano, asegúrese que el tanque de gas propano esté equipado con su propio regulador de alta presión además del regulador de presión incluido con la estufa. (Vea el Paso 5.)

Nota:

La estufa está diseñada para posicionarla contra la pared trasera. Para lograr una instalación exitosa, puede ser necesario que usted tenga que reposicionar la línea de suministro de gas y los cables eléctricos a medida que empuja la estufa hacia su posición final.

SUGERENCIA: Esto se puede lograr jalando cuidadosamente una cuerda o cordel enroscado alrededor de la línea de entrada de gas o electricidad mientras la estufa es empujada hacia atrás a su posición final.

Alimentación eléctrica

Se debe planear la instalación de la estufa de tal modo que al empotrar la caja de conexiones para el receptáculo o la conexión del conducto, esto permitirá el máximo espacio libre en la parte trasera de la estufa.

Cuando se conecta el cable de alimentación o el conducto al receptáculo de acoplamiento o a la cubierta de la caja de conexiones, el conector combinado de enchufe/ receptáculo o de la cubierta de la caja de conexiones/ conducto no debe salir más de 2-1/2" (64 mm) de la pared trasera. Vea la Figura 3b.

Consulte la Figura 9 en la página 15 para ubicar la caja de conexiones en la unidad. Para minimizar amarres cuando la unidad está conectada al receptáculo o a la caja de conexiones, oriente el receptáculo o el conector de conducto y deslice la unidad de vuelta a su posición.

Nota:

Los modelos canadienses incluyen el cable de alimentación eléctrica.

Nota:

Cuando usa un receptáculo de 240VAC que tiene su propia caja, será necesario empotrar la caja del receptáculo en la pared trasera. Fije el receptáculo bien a un perno de pared, luego selle la caja del receptáculo. Observe todos los códigos eléctricos locales.

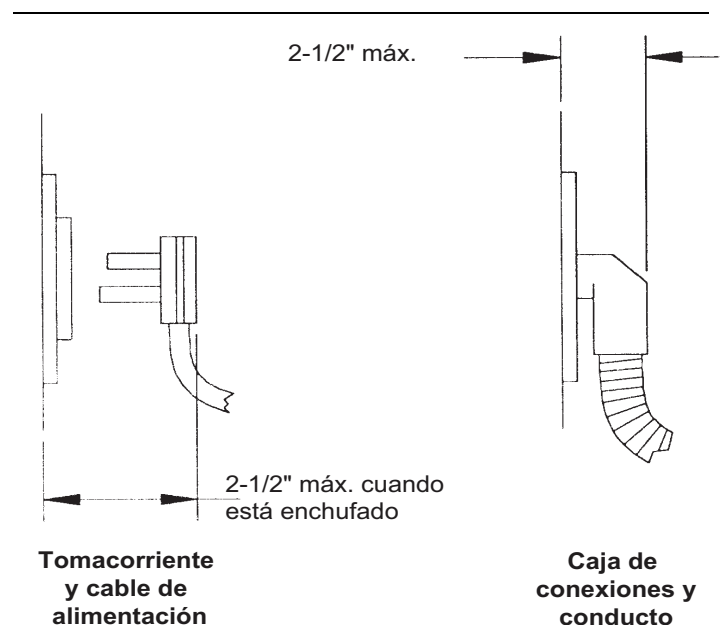


Figura 3b: Conexión en la pared

Paso 3: Desempacar, mover y posicionar la estufa



PRECAUCIÓN

Se debe utilizar el equipo apropiado y suficientes personas para mover la estufa y evitar lesiones, y para no dañar la unidad o el piso. La unidad está pesada y se debe manejar apropiadamente.

- La estufa tiene un peso aproximado de embarque como se muestra en la Tabla A. Se recomienda quitar las rejillas, la bandeja de la plancha y el bastidor, las tapas de los quemadores, el panel delantero para los pies y las rejillas del horno para facilitar el manejo. Esto reduce el peso como se muestra en la Tabla A y permite que la estufa quepa a través de una puerta de 30" (762 mm). Vea Figura 2 en las página 7. **No quite los conjunto de la plancha.**
- Quite la caja exterior de cartón y el material de empaque de la base de embarque. Las estufas de doble combustible son fijadas a la tarima con cuatro (4) tornillos (vea Fig. 4). Después de quitar los tornillos se debe levantar la estufa y sacarla de la tarima.

Importante:

NO levante la estufa por la agarradera de la puerta del horno, ya que esto puede dañar las bisagras de la puerta y causar que la puerta ya no quepa bien en la cavidad del horno.

Tabla A	Estufa 30"	Estufa 36"	Estufa 48"
Peso embarque	351 lbs.	371 lbs.	499 lbs.
Peso sin materiales de empaque	228 lbs.	270 lbs.	403 lbs.
Sin puerta, tapas de quemadores, panel para los pies y rejillas del horno	185 lbs.	221 lbs.	318 lbs.

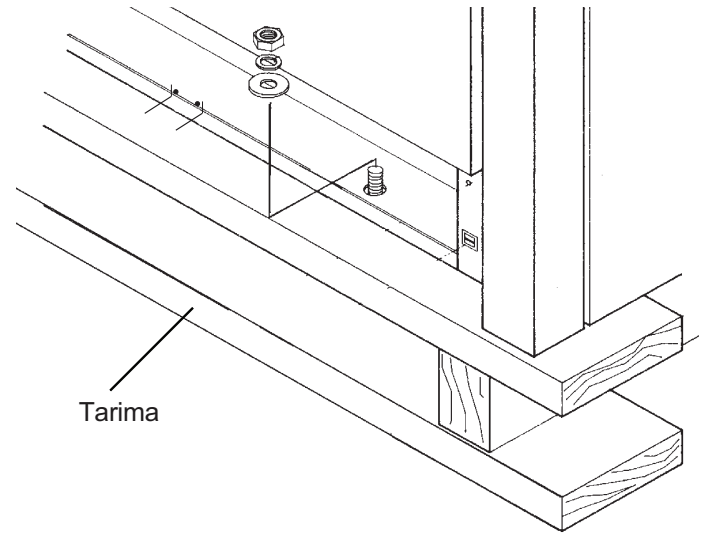


Figura 4: Extracción de los cuatro (4) bulones de transporte

Nota:

Deja la capa de espuma con adhesivo sobre superficies de metal cepillado, para proteger el acabado de rayones, hasta que la estufa esté instalada en su posición final.

- Debido al peso se debe usar una carretilla con ruedas suaves para transportar esta unidad. El peso debe quedar soportado uniformemente sobre la parte inferior. (Vea Figura 5).
- Después de transportar la estufa por medio de la carretilla a su destino final, se puede inclinar la estufa hacia atrás, ya que las patas traseras soportan el peso, mientras se saca cuidadosamente la carretilla. **SE DEBE PROTEGER EL PISO DEBAJO DE LAS PATAS ANTES DE EMPUJAR LA UNIDAD EN SU POSICIÓN FINAL.** Se debe instalar el dispositivo antivolcadura (Paso 4), se deben realizar las conexiones eléctricas y de gas (Pasos 5 y 6), y se debe instalar la consola trasera de protección (Paso 7) antes de posicionar la estufa en su posición final.
- Para lograr un funcionamiento correcto, la **estufa debe estar nivelada.** (Es muy importante para todos los productos que vienen con la opción de la plancha). Se puede nivelar la estufa ajustando las patas con una llave.
- Reemplace el panel para los pies. **Es importante que los dos (2) tornillos que fijan el panel de pies queden bien apretados para evitar el acceso accidental a las superficies calientes.**
- Asegúrese que las tapas de los quemadores estén correctamente asentadas sobre las bases de los quemadores de la parrilla de la estufa.

Paso 4: Instalar el dispositivo antivolcadura

Para todas las estufas de 30" y 36" se debe instalar un dispositivo antivolcadura de acuerdo a estas instrucciones.

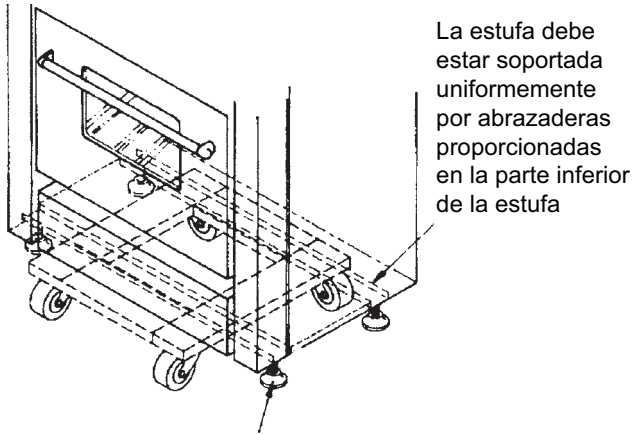


Figura 5: Colocar la carretilla

- Retire toda la cinta y material de empaque antes de utilizar el aparato. Destruya el empaque después de desempacar el aparato. Nunca permita que niños jueguen con material de empaque.

Importante:

NO levante la estufa por la agarradera de la puerta del horno, ya que esto puede dañar las bisagras de la puerta y causar que la puerta ya no quepa bien en la cavidad del horno.

Ajuste de inclinación de la plancha (No todos los modelos)

Si la estufa viene equipada con una plancha eléctrica, revise el ajuste del bastidor de la plancha echando dos cucharas de agua sobre la parte trasera de la bandeja de la plancha. El agua debería bajar lentamente al colector de grasa. En caso contrario, ajuste los dos tornillos debajo de la parte trasera del bastidor. Comience con medio giro de los tornillos en sentido opuesto del reloj (CCW por sus siglas en inglés). Otros ajustes deben ser de un cuarto giro hasta que el agua fluya lentamente al colector de grasa.



ADVERTENCIA — RIESGO DE VOLCADURA DE LA ESTUFA

- Todas las estufas pueden volcarse y producir lesiones. Para prevenir la volcadura accidental de la estufa, fíjela a la pared, al piso o al gabinete con el dispositivo antivolcadura que se incluye.
- Cuando no se instala el aparato de acuerdo con estas instrucciones, existe el riesgo de una volcadura.
- Cuando se jala la estufa de la pared por motivos de limpieza, servicio u otra razón, asegúrese de volver a embonar correctamente el dispositivo antivolcadura al volver a empujar la estufa contra la pared. En el caso de un uso poco normal (como alguien sentado, parado o recostado sobre una puerta abierta), el hecho de ignorar esta precaución puede causar la volcadura de la estufa y como consecuencia lesiones debido a líquidos calientes derramados o por la misma estufa.



ADVERTENCIA — RIESGO DE DESCARGA ELÉCTRICA

- Tenga mucho cuidado cuando perfora orificios en la pared o el piso. Puede haber cables eléctricos ocultos detrás de la pared o debajo del piso.
- Identifique los circuitos eléctricos que podrían resultar afectados por la instalación del dispositivo antivolcadura, luego apague la corriente de estos circuitos.
- La falta de observar estas instrucciones puede causar una descarga eléctrica y lesiones serias.



ADVERTENCIA:



- Todas las estufas pueden volcarse
- Esto puede causar lesiones serias
- Instale el dispositivo antivolcadura
- Vea las instrucciones de instalación

ATENCIÓN — DAÑOS A LA PROPIEDAD

- Contacte a un instalador o contratista calificado para determinar el mejor método de perforar los orificios a través de la pared o del piso tomando en cuenta el material de cerámica, madera dura (duela), etc.).
- No deslice la estufa encima de un piso (como azulejos desprotegido.)
- La falta de observar estas instrucciones puede dañar la pared o la superficie del piso.

Herramientas que se necesitan para la instalación del dispositivo antivolcadura:

- Destornillador, Phillips
- Taladro eléctrico o de mano
- Cinta de medir o regla
- Broca de 1/8" (para pared y piso de madera o de metal)
- Martillo
- Lápiz u otro marcador
- Broca de concreto 3/16" con punta de carburo (para pared o piso de concreto)
- Taquetes de 3/16", para muro seco o de concreto, 4 cada uno (no se requieren cuando la abrazadera de soporte está fijada a una superficie sólida de madera o metal)

Para todas las estufas de 30" Y 36" doble combustible (Figura 7 y Figura 6)

No./Parte Servicio Thermador.	Cant.	Descripción
415078	4	Tornillo, cabeza Phillips, #10 x 1-1/2"

No./Parte Servicio Thermador.	Cant.	Descripción
647936	1	Soporte antivolcadura, Montaje en el piso

Información importante de instalación:

- Se puede fijar el soporte antivolcadura a un gabinete sólido de madera con un grosor mínimo de pared de 3/4".
- El grosor de la pared o del piso puede requerir tornillos más largos, disponibles en su ferretería local.
- En todos los casos se deben fijar al menos dos (2) de los tornillos de fijación a madera sólida o metal.
- Use taquetes apropiados cuando fija el soporte antivolcadura a cualquier material diferente que madera o metal.

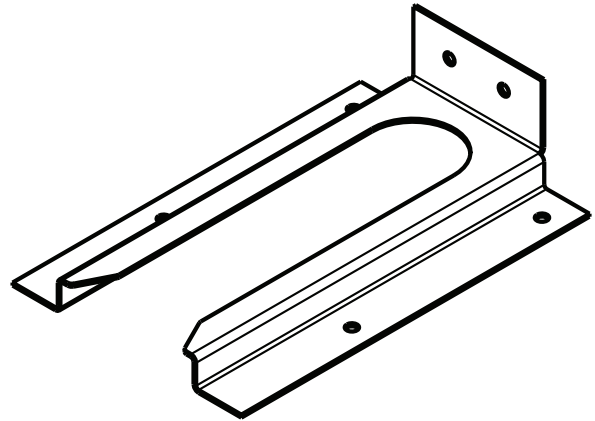


Figura 6: Instalar el dispositivo antivolcadura

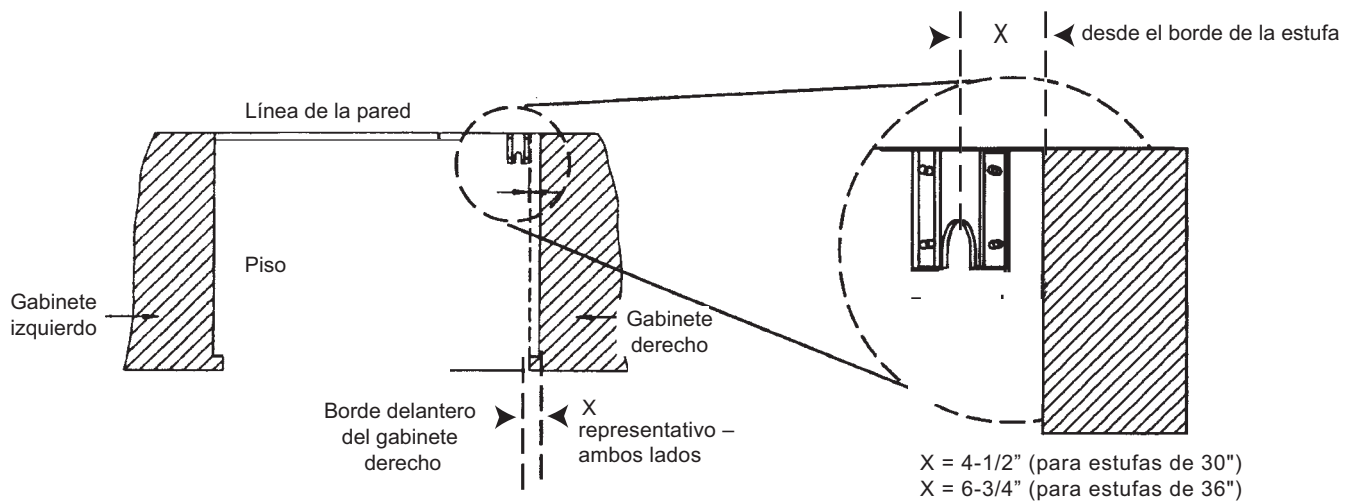


Figura 7: Colocación del dispositivo antivolcadura (vista superior)

- Prepare orificios según indicados abajo:
 - Para paredes, pernos de pared o pisos hechos de madera sólida o metal, perfore orificios de 1/8".
 - Para paredes o pisos hechos de muro seco, tablaroca u otros materiales suaves, perfore orificios de 3/16" a una profundidad mínima de 1-3/4", luego inserte taquetes de plástico en cada orificio usando un martillo.
 - Para paredes o pisos hechos de cemento o bloques de concreto, perfore orificios de 3/16" a una profundidad mínima de 1-3/4", luego inserte de taquetes para concreto en cada orificio usando montaje un martillo.
 - Para paredes o pisos que están cubiertos con azulejos de cerámica, perfore orificios de 3/16" solamente a través del azulejo, luego perfore el material detrás del azulejo como se indica arriba.
- Si se mueve la estufa a un lugar nuevo, se debe quitar y reinstalar el dispositivo antivolcadura.

Instalar el soporte de montaje antivolcadura

El soporte de montaje alternativo para el piso debe ser instalado del siguiente modo:

1. Coloque el soporte sobre el piso en la posición indicada en la Figura 7 (Se puede usar el soporte en cualquier esquina del área de instalación).
2. Fíjelo al piso o a un perno de pared.
3. Luego, cuando la unidad está instalada, la pata ajustable se desliza debajo del soporte.

Paso 5: Requerimientos de gas y conexiones

Verifique el tipo de gas que se está usando en el lugar de instalación. **El aparato se envía de la fábrica para el uso con gas natural. Debe ser convertida para el uso con propano. Un técnico o instalador calificado debe realizar la conversión.** Asegúrese que la estufa coincide con el tipo de gas disponible en este lugar.

Para la instalación del aparato a grandes alturas, consulte a su proveedor local de gas para su recomendación de los tamaños de orificios correctos y otros ajustes necesarios que van a proporcionar una combustión correcta del gas a alturas específicas.

El kit de la conversión de campo para esta serie de las Estufas de Combustible Dual es Thermador Modelo PALPKITHC. Observe todas las instrucciones en el esta unidad para una conversión correcta del regulador de gas y para los ajustes de las válvulas de gas.



PRECAUCIÓN

Cuando conecte la unidad a gas propano, asegúrese que el tanque de gas propano venga con su propio regulador de alta presión además del regulador de presión que se incluye con la estufa. La presión de gas suministrada a este aparato no debe exceder 14.0 pulgadas de columna de agua (34.9 mb).

Requerimientos para gas natural:

- Conexión entrada: 1/2" NPT interno (Mínimo manguera flexible con diámetro de 3/4")
- Presión suministro: 6" min. a 14" max. columna de agua.
(14.9 a 34.9 mb)
- Presión manifold: 5" columna de agua (12.5 mb)

Requerimientos para gas propano:

- Conexión entrada: 1/2" NPT interno (Mínimo manguera flexible con diámetro de 3/4")
- Presión suministro: 11" a 14" máx. columna de agua
(27.4 mb a 34.9 mb)
- Presión manifold: 10" columna de agua (24.9 mb)



ADVERTENCIA

La línea de gas no debe tener contacto con ningún componente dentro de la cubierta trasera de la estufa.

Conexión

- Se debe instalar una válvula manual externa de cierre de gas, en un lugar accesible desde el frente para cerrar el suministro de gas. La línea de suministro no debe interferir con la parte trasera de la unidad. Asegúrese de cerrar el suministro de gas en la válvula de cierre manual antes de conectar el aparato.
- La estufa viene con su propio regulador de presión que fue montado permanentemente dentro del cuerpo de la estufa.
- Utilice una línea flexible de 3/4" entre el suministro de gas y la línea de suministro del aparato. La línea de suministro de gas está ubicada en la parte inferior derecha de todas las estufas. (Ver figura 8 y figura 9). La línea de suministro de gas del aparato es de tipo NPT 1/2". Tenga cuidado de no torsionar la manguera

flexible de 3/4" cuando haga dobleces. La longitud sugerida de la manguera es de 48" (1,20 m), sin embargo, por favor revise los códigos locales para los requerimientos en su área antes de la instalación.

- Un técnico competente debe realizar las conexiones del suministro de gas conforme a los códigos y regulaciones locales. A falta de códigos locales, la instalación debe estar conforme al Código Nacional de Gas Combustible ANSI Z223.1/NFPA54- edición actual.
- Siempre utilice compuesto para sellar tuberías o cinta Teflon® en la rosca de las tuberías, tenga cuidado de no aplicar demasiada presión al apretar las conexiones.
- Las pruebas de fugas del aparato deben estar conforme a las siguientes instrucciones.
 - Prenda el gas y revise las conexiones de la línea de suministro para ver si hay fugas usando una solución con agua y jabón.
 - Burbujas que aparecen indican una fuga de gas. Repare todas las fugas de inmediato



ADVERTENCIA

No use una flama de ningún tipo para verificar si hay fugas de gas.



PRECAUCIÓN

El aparato debe estar aislado del sistema de tubería de suministro de gas cerrando la válvula manual de cierre durante cualquier prueba de presión de la línea de suministro de gas a presiones de prueba iguales a o inferiores que 1/2 psig (3.5kPa.).

Se deben desconectar el aparato y su válvula individual de cierre del sistema de suministro de gas durante cualquier prueba de presión del sistema a presiones arriba de 1/2 psig (3.5kPa.). Cuando verifique la presión de gas del manifold, la presión de entrada al regulador debe ser al menos 6" (14.9 mb) columna de agua para gas natural o 11" (27.4 mb) para gas propano.

No trate de ajustar el regulador de presión.

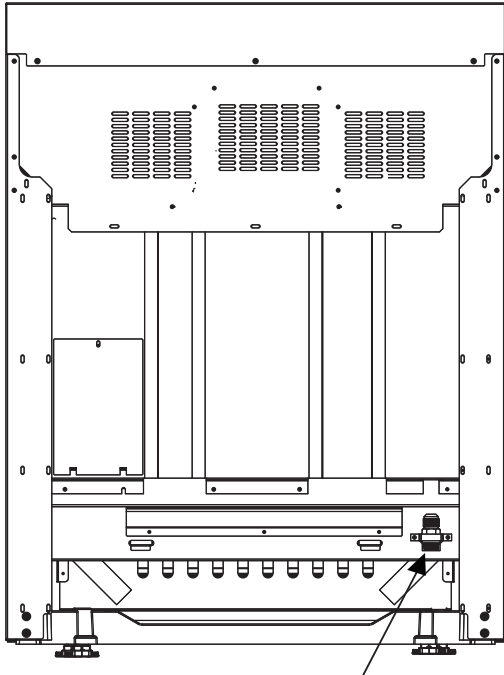


Figura 8: Ubicación de la línea de suministro de gas para las estufas de 30" y 36"

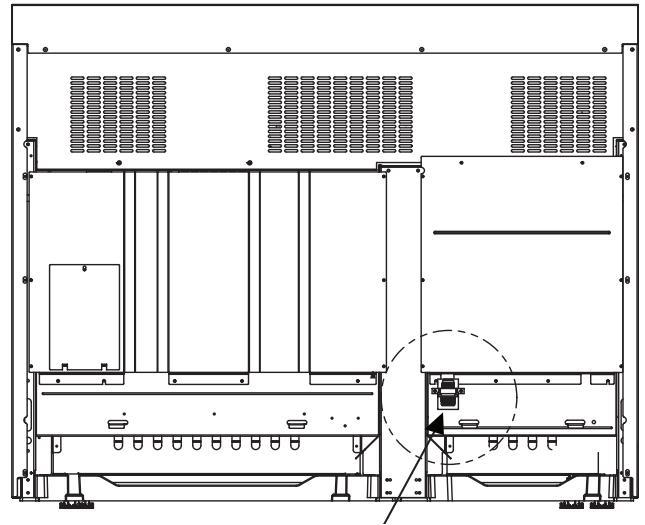


Figura 9: Ubicación del suministro de gas en las estufas de 48"

Paso 6: Requerimientos eléctricos, conexión y puesta a tierra

- Antes de dar servicio al aparato, siempre debe desconectar el cable de alimentación eléctrica de la tomacorriente en la pared. Si el aparato está conectado en forma directa a la fuente de alimentación, desconecte la electricidad a la unidad apagando el cortacircuitos correcto o desconectando el fusible correcto. Bloquee el panel de servicio para prevenir que la corriente se encienda accidentalmente.

Se pueden conectar los modelos de las estufas de doble combustible a la fuente de alimentación con enchufe o en forma directa como se describe en la página 16.

Tabla B: Requerimientos del circuito de alimentación eléctrica

TIPO de MODELO	VOLTAJE	CLASIFICACIÓN CIRCUITO	FRECUENCIA	FASE
30"	240/208 VAC	35 Amps x2	60 Hz.	Monofásico
36"	240/208 VAC	35 Amps x2	60 Hz.	Monofásico
48"	240/208 VAC	50 Amps x2	60 Hz.	Monofásico

- Se debe proporcionar un cable neutral de alimentación de la fuente de alimentación (cortacircuitos/panel de fusibles) porque los componentes críticos de la estufa, incluyendo los módulos de reencendido por chispa de

los quemadores superficiales, requieren de 120 VAC para funcionar correctamente. Una fuente de alimentación incorrecta de 120/240 VAC causará un mal funcionamiento de este aparato, y puede

posiblemente crear el riesgo de una descarga eléctrica. Cuando no se proporciona el circuito eléctrico correcto, es la responsabilidad y obligación del instalador y del usuario conectar una fuente de alimentación apropiada. Un técnico calificado debe realizar esto conforme a todos los códigos y regulaciones locales aplicables. A falta de códigos locales, la conexión de la fuente de alimentación debe ser conforme al Código Eléctrico Nacional.

- Observe todos los códigos y regulaciones en vigor cuando realiza la puesta a tierra. A falta de códigos locales, observe el Código Eléctrico Nacional ANSI/NFPA No. 70, edición actual. Vea las páginas 15 y 16 para el método de la puesta a tierra.
- Los diagramas eléctricos se encuentran en el área del panel de pies de la estufa para facilitar el acceso a un técnico de servicio calificado.
- Se pueden conectar las estufas de doble combustible a una fuente de alimentación eléctrica de 240/208 VAC.

Se deben conectar los modelos de doble combustible a la fuente de alimentación eléctrica utilizando uno de los siguientes métodos. Para todos los métodos de conexión, la longitud del cable o conducto/cableado debe permitir que la unidad pueda sacarse completamente del gabinete sin necesidad de desenchufar o desconectar la unidad de la fuente de alimentación. La mínima longitud libre recomendada del cable o conducto son cuatro pies (1.20 m). Las instalaciones eléctricas y la puesta a tierra deben estar conforme a todos los códigos y regulaciones locales, y/o al Código Eléctrico Nacional, si aplica.

CABLE DE 4 CONDUCTORES — GENERALMENTE SE DEBE CONECTAR LA UNIDAD A LA FUENTE DE ALIMENTACIÓN CON UN CABLE DE 4 CONDUCTORES, 3 POLOS PARA UN VOLTAJE NOMINAL DE 125/250 VOLTIOS, 50 AMPERIOS, Y DEBE ESTAR MARCADO PARA EL USO CON ESTUFAS. Se debe fijar el cable a la caja de conexiones de la estufa con un prensacables que cabe en un orificio con un diámetro de 1" (2.5 cm). Si no viene ya equipado, el cable debe tener lengüetas cerradas de ¼", fijadas a los extremos libres de los conductores individuales, de preferencia que estén soldadas en su lugar.

CONEXIÓN PERMANENTE (CABLEADO DIRECTO) — Se pueden conectar las unidades directamente a la fuente de alimentación. El instalador debe suministrar un conducto flexible de aluminio, tamaño comercial de 3/4" con una longitud máxima de 6 pies (1.8 m). Localice la caja de conexiones en la parte trasera de la unidad y quite la cubierta. Consulte la Figura 10. Quite el tornillo de la tira de conexión a tierra y doble la tira de tierra hacia arriba. Consulte la Figura 14. Se debe fijar el conducto a la caja de conexiones utilizando un conector de conducto aprobado.

Se debe meter el cableado para la unidad a la caja de conexiones a través del conducto. Los extremos de los cables deben tener fijadas lengüetas cerradas de ¼", de preferencia que estén soldadas en su lugar. Realice las conexiones al bloque de terminales incluido. Fije el cable de tierra a la caja de conexiones con el tornillo previamente usado para fijar la tira de conexión a tierra. Consulte la Figura 13 Se debe conectar el extremo libre del conducto a una caja de conexiones proporcionada en la zona de suministro eléctrico y de gas, como se muestra en la Figura 3a en la página 8.

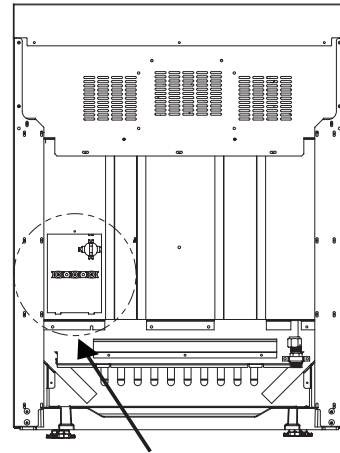


Figura 10: Ubicación de la caja de conexiones en las estufas de 30" y 36"

tener lengüetas cerradas de ¼", fijadas a los extremos libres de los conductores individuales, de preferencia que estén soldadas en su lugar.

Instalador — muestre al propietario la ubicación del disyuntor o el fusible. Márquela para recordarla más fácilmente.

Se puede conectar una alimentación de 3 o 4 conductores al bloque de conexión.

Conexión de 3 hilos

1. Quite las tuercas superiores solamente de las bornas del bloque de terminales. **No quite las tuercas que fijan los hilos del cableado interno de la estufa.**
2. Fije el cable neutral de tierra del circuito de alimentación a la borna central del bloque de terminales con una tuerca. (vea Figura 13).
3. Fije los conductores de alimentación L1 (negro) y L2 (rojo) a las bornas del bloque de terminales (color bronce) con tuercas.
4. Apriete las tuercas bien.

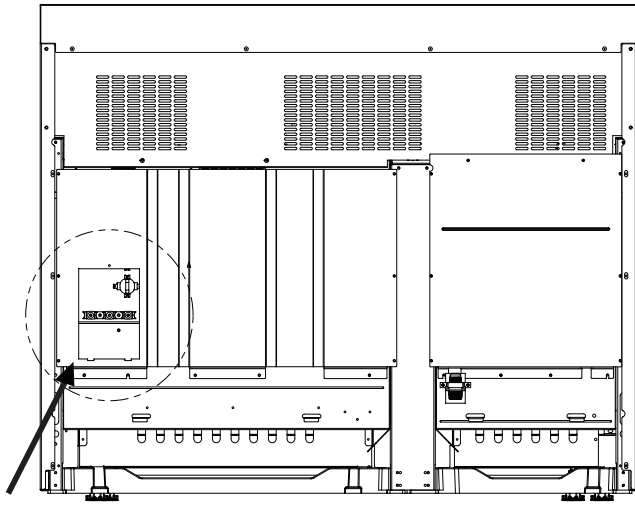


Figura 11: Ubicación de la caja de conexiones en las estufas de 48"

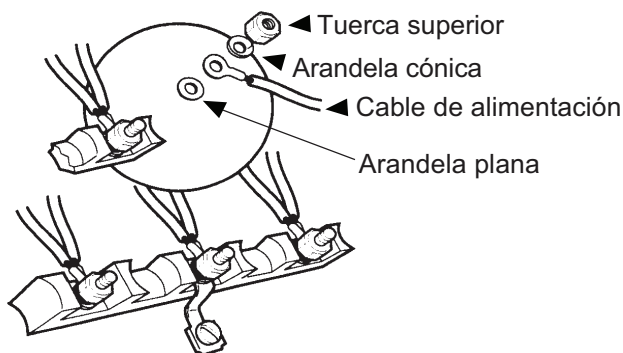


Figura 12: Fijación de los conductores

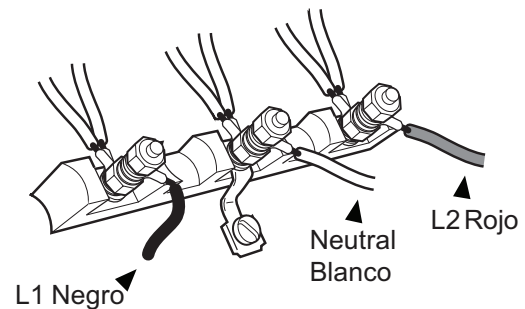


Figura 13: Conexión de hilo

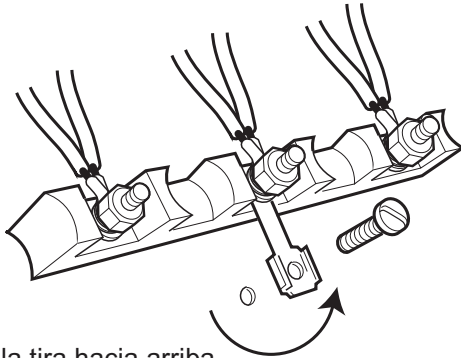
Conexión de 4 hilos

1. Quite las tuercas superiores solamente de las bornas del bloque de terminales. **No quite las tuercas inferiores que fijan los hilos del cableado interno de la estufa.**
2. Quite la tira de conexión a tierra y doble la tira hacia arriba como se muestra en la Figura 14.
3. Fije el cable neutral a la borna central del bloque de terminales con una tuerca.
4. Fije los conductores de alimentación L1 (negro) y L2 (rojo) a las bornas del bloque de terminales (color bronce) con tuercas.
5. Fije el hilo desnudo de cobre de tierra al bastidor de la estufa utilizando el tornillo de tierra previamente usado

CABLE DE 3 CONDUCTORES — DONDE LOS CÓDIGOS Y LAS REGULACIONES LOCALES PERMITEN LA PUESTA A TIERRA A TRAVÉS DEL CONDUCTOR NEUTRAL, Y LA CONVERSIÓN DE ALIMENTACIÓN A 4 HILOS ES ALGO IMPRÁCTICO, SE PUEDE CONECTAR LA UNIDAD A LA FUENTE DE ALIMENTACIÓN CON UN CABLE DE 3 CONDUCTORES, 3 POLOS CON UN VOLTAJE NOMINAL DE 125/250 VOLTIOS, 50 AMPERIOS, QUE ESTÁ MARCADO PARA EL USO CON ESTUFAS. Se debe fijar el cable a la caja de conexiones de la estufa con un prensacables que cabe en un orificio con un diámetro de 1" (2.5 cm). Si no viene ya equipado, el cable debe

para la tira de conexión a tierra. Asegúrese que las terminales de neutro y de tierra no tengan contacto.

6. Apriete todas las conexiones bien.



Doblar la tira hacia arriba

Figura 14: Conexión a tierra

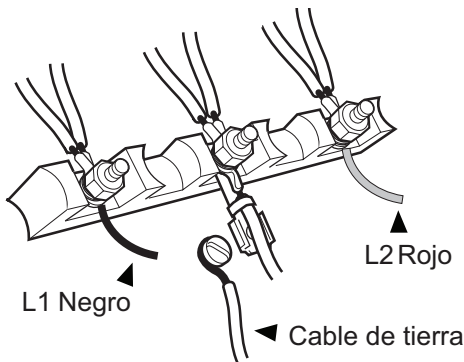


Figura 15: Fijar el hilo neutral

Paso 7: Instalación de la consola trasera de protección

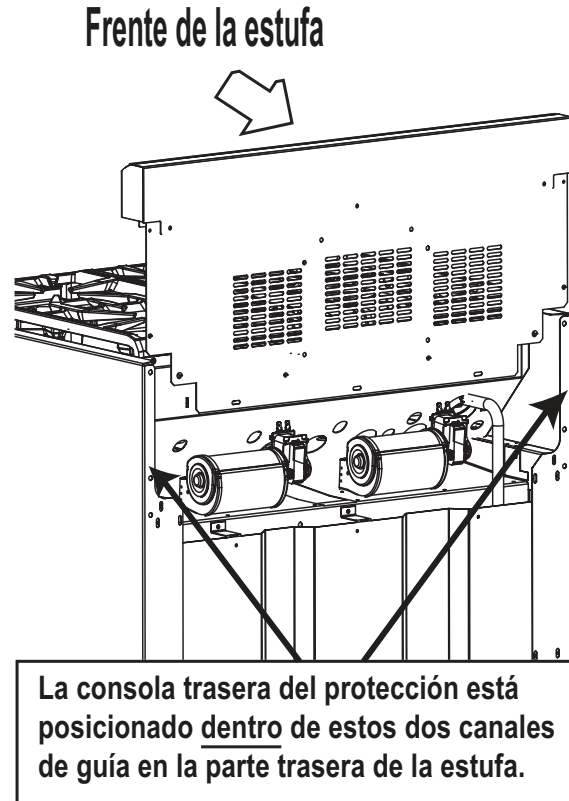


Figura 16: Posición de la consola de trasera de protección



ADVERTENCIA

- Para evitar posibles quemaduras o fuego, se debe instalar una consola trasera de protección diseñada específicamente para esta estufa, siempre que se use la estufa.
- NO intente instalar la consola trasera de protección de Thermador, ya que tienen agujeros en la consola trasera para proveer (solo) un ventilador de enfriamiento [Vea figura 16].

Vea la [table C](#) para el tamaño correcto de la consola trasera de protección para la estufa.

- Se debe instalar la consola trasera de protección antes de deslizar la estufa a su posición final. Se debe instalar una consola trasera baja o una estante para ollas cuando hay menos de 12" (30.5cm) de espacio libre entre materiales combustibles (pared trasera) y la parte trasera de la estufa arriba de la superficie para cocinar.

- Una moldura de isla al ras está disponible para tapar el área de la consola trasera de la estufa con instalaciones tipo isla; sin embargo, se puede utilizar la moldura de isla al ras solamente cuando hay un espacio mínimo libre de 12" (30.5cm) entre materiales combustibles (pared trasera) y la parte trasera de la estufa.
- Se instala la consola trasera de protección adentro de los canales guía en la parte trasera de la estufa como se muestra en la Figura 16. (Quite el conjunto de la plancha para tener suficiente espacio libre de instalación en modelos que incluyen la plancha.) Usando un destornillador Torx tamaños T-20, fije la consola trasera con cuatro (4) tornillos de cabeza Torx a los paneles laterales de la estufa. La moldura no es necesaria en estufas de 48". El centro de la tira puede ser soportado por una pestaña del panel trasero, y no requerir un tornillo.
- En los modelos con estante para ollas se debe ensamblar primero el panel superior al armazón usando nueve (9) de los tornillos de cabeza torx incluidos. Para lograr suficiente fuerza de carga,

USTED DEBE fijar dos (2) tornillos de cabeza Torx a través de las esquinas traseras de la parte superior al armazón.

- Para fijar el frente de la consola trasera, instale tres (3) de los tornillos de cabeza Torx a través del panel delantero inferior de la consola trasera en la brida de la parte trasera de la parrilla de la estufa.
- Los modelos con estante para olla tienen una estante arriba de la parrilla para mantener calientes alimentos o para guardar ollas. OBSERVE LAS PRECAUCIONES ABAJO.



PRECAUCIÓN

El estante para ollas puede calentarse mucho!

NO coloque encima de el estante para ollas:

- plásticos o contenedores que se pueden derretir
- artículos inflamables
- una máxima carga arriba de 30 libras (13.6 kg)

Tabla C: Número de modelo para los kits de las consolas traseras de protección

Modelo	6" Consola Baja Estánd.	9" Consola Baja	Estante de Olla y Sárten 22"	Moldura de Isla al Ras
30"	Incluida con la estufa	N/A	PA30GSHS	PA30GITH
36"	N/A	PA36GLBH	PA36GSHS	Incluida con la estufa
48"	N/A	PA48GLBH	PA48GSHS	Incluida con la estufa

Paso 8: Quitar y reinstalar la puerta



PRECAUCIÓN

TENGA CUIDADO AL QUITAR LA PUERTA. LA PUERTA ESTÁ MUY PESADA.

- Asegúrese que el horno esté frío y que se haya apagado la corriente antes de quitar la puerta. De otro modo puede causar una descarga eléctrica o quemaduras.
- La puerta del horno está pesada y frágil. Use ambas manos para quitar o reemplazar la puerta.
- Agarre sólo los costados de la puerta del horno cuando quita o reemplaza la puerta.
- Si no agarra la puerta del horno firmemente y de modo correcto, puede causar lesiones o dañar el producto.

- Nunca suelte las palancas e intente cerrar las bisagras cuando la puerta ha sido removida. Sin el peso de la puerta, los resortes poderosos cerrarán las bisagras con gran fuerza.

Para quitar la puerta del horno:

1. Abra la puerta del horno completamente.
2. Voltee la palanca de la bisagra hacia Ud. (Vea la Foto B en la página 20.)
3. Cierre la puerta hasta que se detenga (la palanca de la bisagra abierta mantiene la puerta mitad abierta).
4. Agarre la puerta en los lados. La puerta está pesada y frágil - siempre use ambas manos. Levante la puerta y sáquela (debe vencer la resistencia de resorte). Cuando la parte delantera de la puerta está suficientemente alta, usted podrá jalar y sacar la puerta.
5. Guarde la puerta en un lugar seguro y estable.

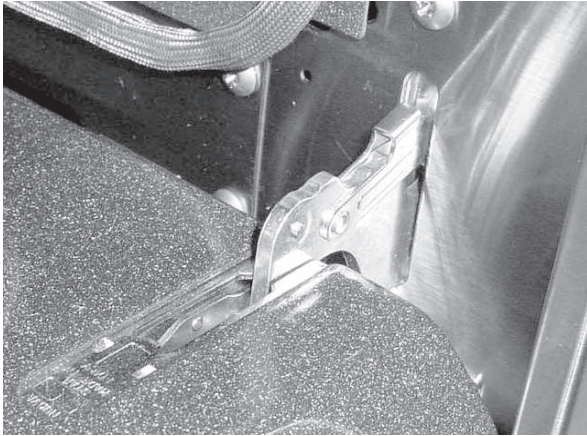


Foto A: Soporte de bisagra en posición cerrada

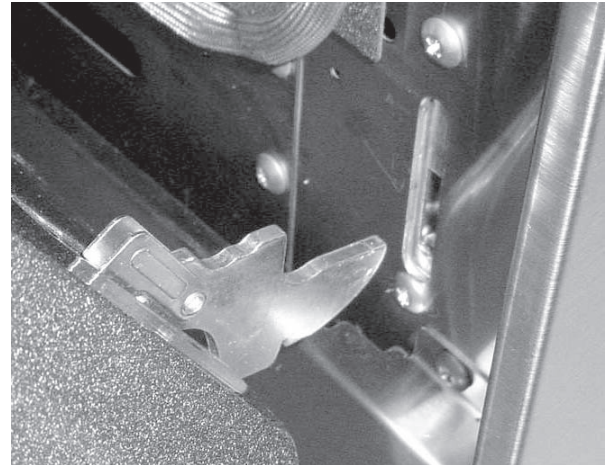


Foto C: Bisagra removida del horno

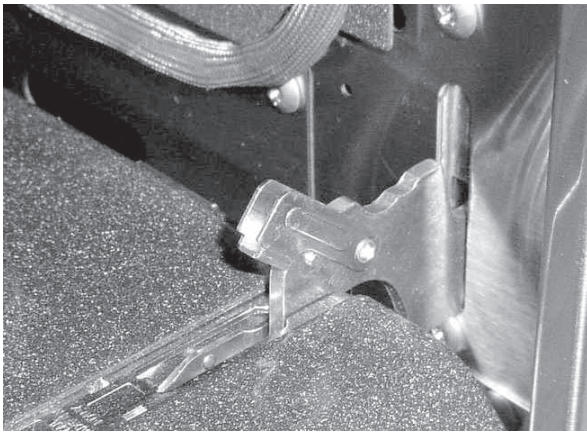


Foto B: Voltear la palanca de la bisagra hacia Ud.

Para reinstalar la puerta del horno:

1. Agarre la puerta en ambos lados. Inserte las bisagras en las ranuras correspondientes. La puerta quedará mitad abierta.
Puede ser necesario presionar firmemente sobre la parte inferior de la puerta, por medio de un movimiento mecedor para asentar bien las bisagras de la puerta.
2. Abra la puerta completamente para exponer las palancas de las bisagras. Voltee las palancas en dirección opuesta de sí mismo (hacia el horno) hasta que enganchen con la bisagra.
3. Cierre y abra la puerta lentamente para probar la instalación. Debe abrir y cerrar suavemente y estar recta, no torcida.

Paso 9: Pruebas y Ajustes de Quemador

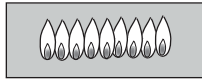
Instala cualquier componente flojo, como casquillos de quemador y rejillas, que se pudieron haber quitado con anterioridad. Asegúrese que los casquillos de quemador asienten apropiadamente en sus bases de quemador. Antes de probar la operación de la unidad, verificar que se ha comprobado cuidadosamente la unidad y la fuente de gas para saber si hay fugas y que la unidad haya sido conectada con la fuente de la corriente eléctrica. Dar vuelta a la válvula de cierre manual del gas a la posición abierta.

Pruebe los quemadores superiores de la estufa

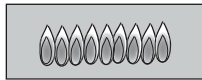
Pruebe el Encendido del Quemador. Seleccione una perilla de quemador de la estufa. Presione hacia abajo y gire en contra de las manecillas del reloj hacia **ALTO**. El módulo de chispa/encendido producirá un sonido de chasquido. Una vez que el aire ha sido purgado de las líneas de alimentación, el quemador deberá encender dentro de cuatro (4) segundos.

Prueba de Flama: Opción Alta. Gire el quemador a **ALTO**. Vea Figura 17 para las características apropiadas de flama.

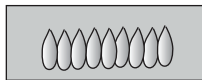
Flama amarilla:
Se requiere más ajuste.



Puntas amarillas sobre conos:
Normal para Gas LP.



Flama azul suave:
Normal para Gas Natural.



Si la flama es casi o completamente amarilla, verifique que el regulador está establecido para el combustible correcto. Posterior al ajuste, vuelva a probar.

Se pueden producir algunas rayas anaranjadas en el encendido inicial.

Permita que la unidad trabaje durante 4-5 minutos y vuelva a evaluar antes de realizar ajustes.

Figura 17: Características de las flamas

Si alguno de los quemadores superiores de la estufa continúan produciendo una llama casi o completamente amarilla, verifique que el casquillo del quemador está posicionado apropiadamente en la base del quemador, entonces vuelva a probar. Si las características de la flama no mejoran, contacte a Thermador.

Prueba de Flama: Opción Baja: Gire el quemador a **SIM**. Verifique que la flama rodea completamente el quemador. Debe haber una flama en cada compuerta del quemador y no debe haber una apertura de aire entre la flama y el quemador. Si cualquiera de los quemadores no continúa, llame a Thermador.

Los dos quemadores de la parrilla de estufa en el lado izquierdo cuentan con la característica **XLO**, causando que se haga un ciclo de encendido y apagado en la flama cuando la perilla está en la posición **XLO**. Esta es una operación normal.

Repita los procedimientos de prueba de Encendido y Flama, descritos anteriormente para cada quemador superior de la estufa.

Cuando la flama está ajustada correctamente:

Debe haber una flama en el puerto de cada quemador. No debe haber un espacio de aire entre la flama y el quemador.

Llame a Thermador si:

1. Cualquiera de los quemadores no encienden.
2. Cualquiera de los quemadores continúan produciendo flama amarilla.

Lista de chequeo del instalador

Lista de chequeo final

- Se observaron los espacios libres especificados a las superficies de los gabinetes.
- Unidad nivelada – frente al fondo – lado a lado.
- Tapas de quemadores correctamente colocadas sobre las bases.
- Se quitó todo el material de empaque.
- Ajuste de isla o consola trasera de protección adjuntado de acuerdo a las instrucciones.
- Panel de pies instalado y fijado con dos (2) tornillos.
- Se colocó correctamente la bandeja de la plancha, inclinada ligeramente hacia adelante. (Vea página 17 para el procedimiento del ajuste).

Suministro de gas

- Se instaló la válvula de cierre manual de gas en un lugar accesible (sin tener que mover la estufa).
- Se comprobó la unidad y no tiene fugas de gas.
- Si se usa con gas propano, verificar que el suministro de gas tenga su propio regulador de presión adicionalmente al regulador de presión que se incluye con el aparato.

Eléctrica

- Existe una tomacorriente con la protección correcta de sobre-tensión para conectar el cable de alimentación.
- Conexión correcta a tierra.

Operación

- Los anillos están centrados en las perillas y las perillas giran libremente.
- Cada quemador prende bien, tanto en forma individual como junto con otros quemadores operando.
- Se inclinó ligeramente la plancha hacia adelante y no se mueven (no todos los modelos).
- Las bisagras de la puerta del horno están enganchadas y las bisagras están fijadas en su posición, La puerta se abre y cierra correctamente.
- Las rejillas de los quemadores están posicionadas correctamente, niveladas sin moverse.

- Comience la autolimpieza. Cuando se prende la luz **CLEANING** (limpieza), verifique que la puerta está bien cerrada. Cancele el modo de limpieza.
- **INSTALADOR:** Deje el Manual de Cuidado y Uso y el Instructivo de Instalación con el propietario de la unidad.

Para limpiar y proteger las superficies exteriores

Se pueden limpiar las superficies de acero inoxidable con un trapo húmedo, jabonoso, enjuagar con agua limpia y secar con un trapo suave para evitar la formación de marcas de agua. Cualquier detergente suave para vidrio quitará huellas digitales y manchas.

Para decoloraciones o suciedades persistentes, consulte el manual de uso y cuidado.

Para sacar brillo y proteger el acero inoxidable, use un limpiador/cera tal como Stainless Steel Magic®.

NO permita que suciedades permanezcan por períodos largos de tiempo.

NO use fibra metálica normal o cepillos metálicos. Se pueden pegar pedazos pequeños de metal a la superficie causando que ésta se oxide.

NO permita que soluciones salinas, desinfectantes, blanqueadores o compuestos de detergentes tengan contacto prolongado con el acero inoxidable. Muchos de estos compuestos contienen químicos dañinos. Enjuague con agua después de cada exposición y seque con un trapo limpio.

Notes:

Remarques :

Notas:

Specifications are for planning purposes only. Refer to installation instructions and consult your countertop supplier prior to making counter opening. Consult with a heating and ventilating engineer for your specific ventilation requirements. For the most detailed information, refer to installation instructions accompanying product or write Thermador indicating model number.

We reserve the right to change specifications or design without notice. Some models are certified for use in Canada. Thermador is not responsible for products which are transported from the U.S. for use in Canada. Check with your local Canadian distributor or dealer.

Les spécifications ne sont fournies qu'à titre prévisionnel. Consultez les instructions d'installation et le fournisseur de votre plan de travail avant de le modifier. Consultez un entrepreneur en chauffage et en climatisation pour vos conditions spécifiques de ventilation. Pour une information plus détaillée, consultez les instructions d'installation jointes au produit ou écrivez à Thermador en indiquant le numéro du modèle.

Nous nous réservons le droit de modifier les caractéristiques ou le design sans préavis. Certains modèles sont approuvés pour le Canada. Thermador n'est pas responsable des produits transportés des États-Unis pour être utilisés au Canada. Veuillez vous renseigner auprès de votre distributeur ou détaillant canadien.

Las especificaciones son exclusivamente para propósitos de planeación. Consulte las instrucciones de instalación y a su proveedor de cubiertas antes de hacer los recortes en la cubierta. Consulte a un ingeniero de calefacción y ventilación para determinar sus requerimientos específicos de ventilación. Para la información más detallada, consulte las instrucciones de instalación que se incluyen con el producto o escriba a Thermador indicando el número de modelo.

Nos reservamos el derecho de modificar las especificaciones o el diseño sin previo aviso. Algunos modelos están certificados para ser usados en Canadá. Thermador no es responsable de productos que son transportados desde los Estados Unidos para ser utilizados en Canadá. Consulte a su distribuidor local en Canadá.

Thermador[®] | *An American Icon*[™]