

# INSTALLATION MANUAL

For THERMADOR PROFESSIONAL  
PRO GRAND® Dual Fuel Ranges

# MANUEL D'INSTALLATION

Pour cuisinières mixtes PROFESSIONAL PRO  
GRAND<sup>mc</sup> de THERMADOR

# MANUAL DE INSTALACIÓN

Para estufas mixtas PROFESSIONAL PRO  
GRAND® de THERMADOR

**Models/  
Modèles/  
Modelos:**  
PRD36  
PRD48

***Thermador***  <sup>TM</sup>  
REAL INNOVATIONS FOR REAL COOKS <sup>TM</sup>

---

# Table of Contents

<b>Safety Instructions</b> .....	<b>1</b>
<b>Important Installation Information</b> .....	<b>2</b>
Step 1: Ventilation Requirements .....	3
Step 2: Cabinet Preparation .....	4
Step 3: Unpacking and Moving the Range .....	8
Step 4: Door Removal and Reinstallation .....	10
Step 5: Installing Anti-Tip Device .....	12
Step 6: Gas Requirements and Hookup .....	14
Step 7: Electrical Requirements, Connection & Grounding .....	16
Step 8: Backguard Installation (optional) .....	19
Step 9: Placing and Leveling the Range .....	25
Step 10: Burner Test and Adjustment .....	28
<b>Installer Final Check List</b> .....	<b>29</b>
<b>To Clean and Protect Exterior Surfaces</b> .....	<b>30</b>

This THERMADOR® appliance is made by  
BSH Home Appliances Corporation  
1901 Main Street, Suite 600  
Irvine, CA 92614

## Questions?

1-800-735-4328

[www.thermador.com](http://www.thermador.com)

**We look forward to hearing from you!**

# Safety Instructions



## Important Safety Instructions READ AND SAVE THESE INSTRUCTIONS

APPROVED FOR ALL RESIDENTIAL APPLIANCES

FOR RESIDENTIAL USE ONLY

**IMPORTANT:** Save these Instructions for the Local Gas Inspector's use.

**INSTALLER:** Please leave these Installation Instructions with this unit for the owner.

**OWNER:** Please retain these instructions for future reference.



### WARNING:



**ELECTRICAL SHOCK HAZARD—**  
Disconnect power before installing or servicing. Before turning power ON, be sure that all controls are in the OFF position. Failure to do so can result in death or electrical shock.

### IMPORTANT:

Local codes vary. Installer is responsible for ensuring that the installation, gas connections, and grounding comply with all applicable codes. Failure to follow appropriate local codes and regulations may void the warranty.

For Massachusetts Installations:

1. Installation must be performed by a qualified or licensed contractor, plumber or gas fitter qualified or licensed by the state, province or region where this appliance is being installed.
2. Shut-off valve must be a "T" handle gas cock.
3. Flexible gas connector must not be longer than 36" (914mm).

### Note:

This Range is NOT designed for installation in manufactured (mobile) homes or Recreational Park Trailers.

**DO NOT** install this range outdoors.



### WARNING:



A child or adult can tip the range over and be killed or seriously injured. Verify that the anti-tip bracket is securely installed. Ensure the anti-tip bracket is engaged when the range is moved.

Do not operate the range without the anti-tip bracket in place. Failure to follow the instructions in this manual can result in death or serious burns to children and adults.

Check for proper installation and use of anti-tip bracket. Carefully tip range forward pulling from the back to ensure that the anti-tip bracket engages the range aluminum cast base and prevents tip-over. Range should not move more than 1 inch (2.5cm).



### WARNING:

If the information in this manual is not followed exactly, a fire or explosion may result causing property damage, personal injury or death.

- Do not store or use gasoline or other flammable vapors and liquids in the vicinity of this or any other appliance.
- WHAT TO DO IF YOU SMELL GAS
  - Do not try to light any appliance.
  - Do not touch any electrical switch.
  - Do not use any phone in your building.
  - Immediately call your gas supplier from a neighbor's phone. Follow the gas supplier's instructions.
  - If you cannot reach your gas supplier, call the fire department.
- Installation and service must be performed by a qualified installer, service agency or the gas supplier.

# Important Installation Information

## GAS Type Verification

Verify that the appliance is correct for the type of gas provided at installation location. Ensure that the appliance is connected to the type of gas for which it is certified. Before proceeding with the installation refer to “*Step 6: Gas Requirements and Hookup*” on page 14.

All models are certified for use with natural gas. Field conversion of the appliance for use with propane gas supply will require installation of conversion kit supplied with the range (service number 553182). Only a qualified service technician or installer should make this conversion. See *LP Conversion Kit Instruction* for full installation information.

## Gas Supply:

**Natural Gas** – 6” water column (14.9 mb) min., 14” (34.9 mb) maximum

**Propane Gas** – 11” water column (27.4 mb) min., 14” (34.9 mb) maximum

## Electric Power Supply:

See “*Step 7: Electrical Requirements, Connection & Grounding*” on page 16 for specifications.

Check local building codes for the proper method of appliance installation. Installation, electrical connections and grounding must comply with all applicable codes. Local codes vary and it is the responsibility of the installer to ensure installation is in accordance with these codes. In the absence of local codes the appliance should be installed in accordance with the National Fuel Gas Code ANSI Z223.1/ NFPA 54 current issue and National Electrical Code ANSI/ NFPA 70-current issue. In Canada, installation must be in accordance with the CAN 1-B149.1 and .2 – Installation Codes for Gas Burning Appliances and/or local codes.



### WARNING:

To avoid possible burn or fire hazard, a backguard designed specifically for this range must be installed whenever the range is used.

## IMPORTANT:

When installing against a combustible surface, a High Shelf or Low Backguard is required. A THERMADOR® High Shelf or Low Backguard must be purchased separately. See Step 8 on page 19 for backguard and installation information.

When using the Flush Island Trim, THERMADOR recommends a minimum 12” (305 mm) rear clearance to a combustible surface (see *Figure 1, Cabinet Clearances*). Clearances from non-combustible materials are not part of the ANSI Z21.1 scope and are not certified by CSA. Clearances of less than 12” (305 mm) must be approved by the local codes and/or by the local authority having jurisdiction.

Refer to “*Backguard Kit Model Numbers*” on page 24, for the correct backguard models that are designed for this range. After selecting the correct backguard, the range must be installed properly, using the minimum clearances to combustible surfaces specified in “*Step 2: Cabinet Preparation*” on page 4.

It is strongly recommended that this appliance be installed in conjunction with a suitable overhead vent hood (see “*Step 1: Ventilation Requirements*” on page 3). Due to the high heat capability of this unit, particular attention should be paid to the hood and duct work installation to assure it meets local building codes.



### CAUTION:

When connecting the unit to propane gas, make certain the propane gas tank is equipped with its own high-pressure regulator in addition to the pressure regulator supplied with the range. The maximum gas pressure to this appliance must not exceed 14.0” water column (34.9 mb) from the propane gas tank to the pressure regulator.



### CAUTION:

This unit is designed as a cooking appliance. Based on safety considerations, never use it for warming or heating a room.



### CAUTION:

To eliminate risk of burns or fire caused by reaching over heated surface units, cabinet storage located above the surface units should be avoided.

This appliance has been tested in accordance with ANSI Z21.1, Standard for Household Cooking Appliances (USA) and in accordance with CAN 1.1-M81 Domestic Gas Ranges (Canadian).

This appliance complies with one or more of the following standards:

- UL 858, Standard for the Safety of Household Electric Ranges
- UL 923, Standard for the Safety of Microwave Cooking Appliances
- UL 507, Standard for the Safety of Electric Fans
- ANSI Z21.1, American National Standard for Household Cooking Gas Appliances
- CAN/CSA-C22.2 No. 113, Fans and Ventilators
- CAN/CSA-C22.2 No. 61, Household Cooking Ranges

It is the responsibility of the owner and the installer to determine if additional requirements and/or standards apply to specific installations.

Tools Needed	
(2) 1/2" wrenches	1/8" (3.17mm) drill bit
3/16" (4.76mm) drill bit	12" adjustable wrench
Hand or electric drill	Tape measure
Phillips & flathead screwdrivers	Marking instrument
Level	Furniture dolly
T-20 Torx screwdriver	Protective gloves
Items Not Included	
Drywall/Concrete Anchors	Pipe Compound/Tape
Rope/Twine	3/4" (19mm) Flex Line
Strain Relief	

## Step 1: Ventilation Requirements

It is strongly recommended that a suitable exhaust hood be installed above the range. Downdraft ventilation should not be used. The table below indicates the ventilation hood options and blower capacity guidelines that are recommended for use with all THERMADOR® ranges.

Due to the high heat of the rangetop burners, do not install a microwave oven/ventilator combination above the range, as these type of units do not provide the proper ventilation and are not suitable for use with the range.

### IMPORTANT:

Ventilation hoods and blowers are designed for use with single wall ducting. However, some local building codes or inspectors may require double wall ducting. Consult local building codes and/or local agencies before starting to assure that hood and duct installation will meet local requirements.

### NOTICE:

Most range hoods contain combustible components which must be considered when planning the installation.

#### 1. Select Hood and Blower Models:

- For wall installations, the hood width must, at a minimum, equal the width of the range. Where space permits, a hood larger in width than the range may be desirable for improved ventilation performance.
- For island installations, the hood width should overhang the range by a minimum of 3" (76mm) on each side.

#### 2. Hood Placement:

- For best smoke elimination, the lower edge of the hood should be installed 30" (762mm) above the range cooking surface. Use a 36" (914mm) minimum clearance if the hood contains any combustible materials such as a wood covering (*Figure 1 on page 5*).

#### 3. Consider Make-Up Air:

- Due to the high volume of ventilation air, a source of outside replacement air is recommended. This is particularly important for tightly sealed and insulated homes.
- A qualified heating and ventilating contractor should be consulted.

Range Width	Range Top Configuration	Cubic Feet per Minute (min requirement)	Ventilation Options
36"	4 burners with griddle	800 (cfm)	36" or 42" Pro Wall Hood 36" Custom Insert w/ optional blower
	6 burners	1100 (cfm)	42" or 48" Island Hood w/ optional blower
48"	6 burners with griddle	1200 (cfm)	48" or 54" Pro Wall Hood 48" Custom Insert w/ optional blower

**IMPORTANT NOTES:**

It is recommended that a THERMADOR PROFESSIONAL® wall or island hood or custom insert is used with THERMADOR PROFESSIONAL ranges. Refer to [www.thermador.com](http://www.thermador.com) for a complete selection of ventilation options, blowers, and accessories.

\* For high output gas ranges (60,000 BTU or greater), the minimum of one (1) CFM of ventilation per 100 BTU is recommended. If the range has a griddle, add 200 CFM to the estimated blower capacity. Additional blower capacity may be required for longer duct runs.

For island applications, it is recommended to use a hood width that exceeds the width of the range by 6" (152mm), overlapping the range by a minimum of 3" (76mm) on each end.

CFM = "cubic feet per minute" (standard blower capacity rating).

## Step 2: Cabinet Preparation

- The range is a free standing unit. If the unit is to be placed adjacent to cabinets, the clearances shown in "Cabinet Clearances" on page 5 are required. The same clearances apply to island installations, except for the overhead cabinets, which must have a space wide enough to accept the flared island hood.
- The range should not be recessed into the cabinets beyond the edge of the front face of the oven (see Figure 2 on page 6).
- The gas and electrical supply should be within the zones shown in Figure 3 on page 7.
- Any openings in the wall behind the range and in the floor under the range must be sealed.
- When installing against a combustible surface, a High Shelf or Low Backguard is required. A THERMADOR® High Shelf or Low Backguard must be purchased separately ("Backguard Kit Model Numbers" on page 24).
- When using the Flush Island Trim, THERMADOR recommends a minimum 12" (305 mm) rear clearance to a combustible surface (see Figure 1, Cabinet Clearances). Clearances from non-combustible materials are not part of the ANSI Z21.1 scope and are not certified by CSA. Clearances of less than 12" (305 mm) must be approved by the local codes and/or by the local authority having jurisdiction. When the range is installed against a combustible side wall a minimum clearance of 5" (127mm) is needed from the side of the range to the wall.

- Always keep appliance area clear from combustible materials, gasoline and other flammable vapors and liquids.
- The maximum depth of overhead cabinets installed on either side of the hood is 13" (330mm).
- Do not obstruct the flow of combustion and ventilation air to the unit.

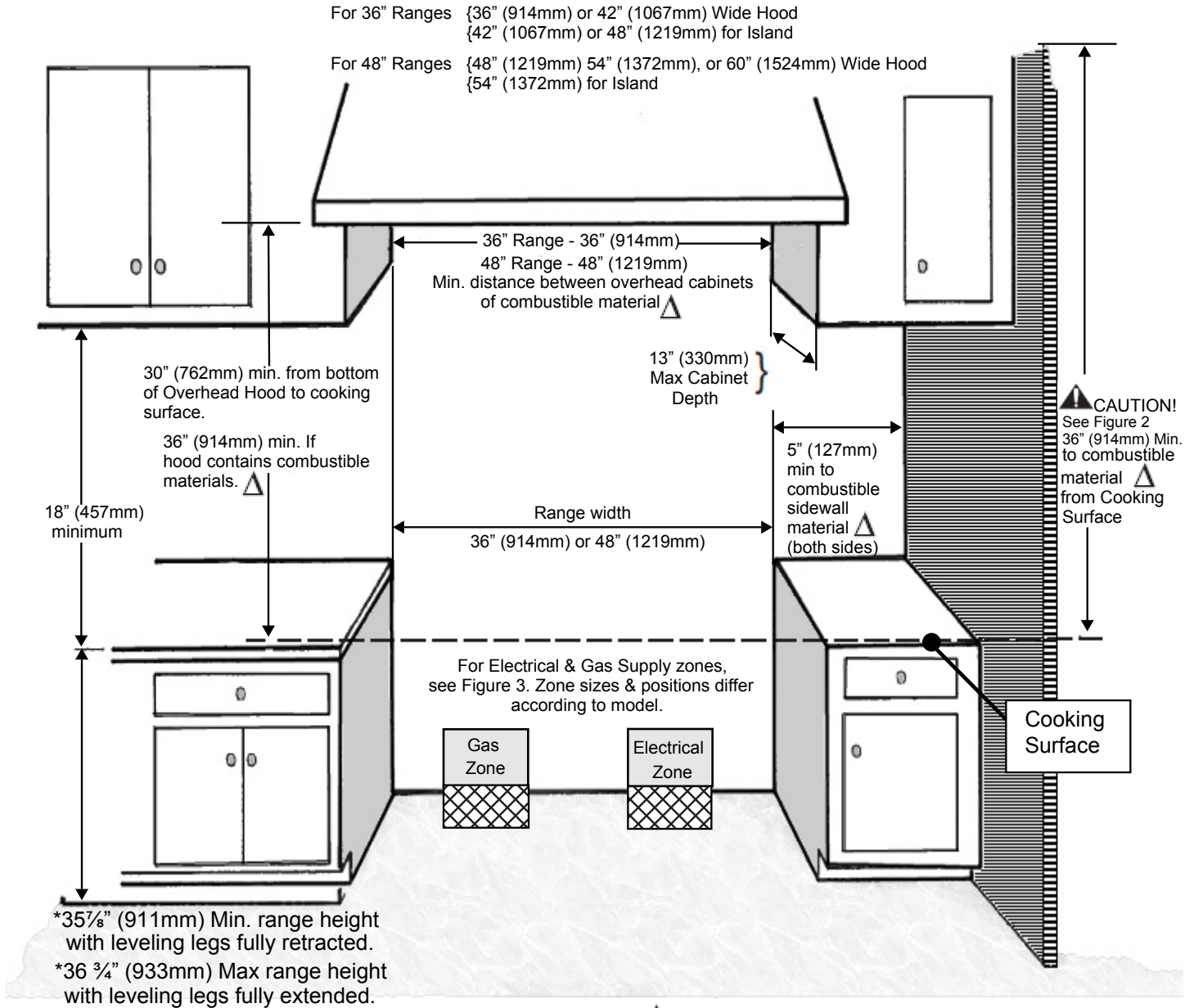
There is a 36" (914mm) minimum clearance required between the top of the cooking surface and the bottom of an unprotected cabinet. A 30" (762mm) clearance can be used when the bottom of the wood or metal cabinet is protected by not less than 1/4" (6mm) of a flame retardant material covered with not less than No. 28 MSG sheet steel, 0.015" (0.38 mm) thick stainless steel, 0.024" (0.61 mm) aluminum, or 0.02" (0.51 mm) thick copper.

Flame retardant materials bear the mark:

UNDERWRITERS LABORATORIES INC. CLASSIFIED MINERAL AND FIBER BOARDS SURFACE BURNING CHARACTERISTICS

followed by the flame spread and smoke ratings. These designations are shown as "FHC (Flame Spread/Smoke Developed)." Materials with "O" flame spread ratings are flame retardant. Local codes may allow other flame spread ratings. It is the responsibility of the installer to ensure installation is in accordance with these ratings.

# Installation Clearances



$\Delta$  as defined in the "National Fuel Gas Code" (ANSI Z223.1, Current Edition). Clearances from non-combustible materials are not part of the ANSI Z21.1 scope and are not certified by CSA. Clearances of less than 12" (305 mm) must be approved by the local codes and/or by the local authority having jurisdiction.

\*The range height is adjustable. The level of the range top must be at the same level or above the counter top level.

**Figure 1: CABINET CLEARANCES**



## CAUTION:

Do not install the range such that the oven door is flush with the cabinet face. A flush installation could result in damage to the cabinets due to exposure to high heat.



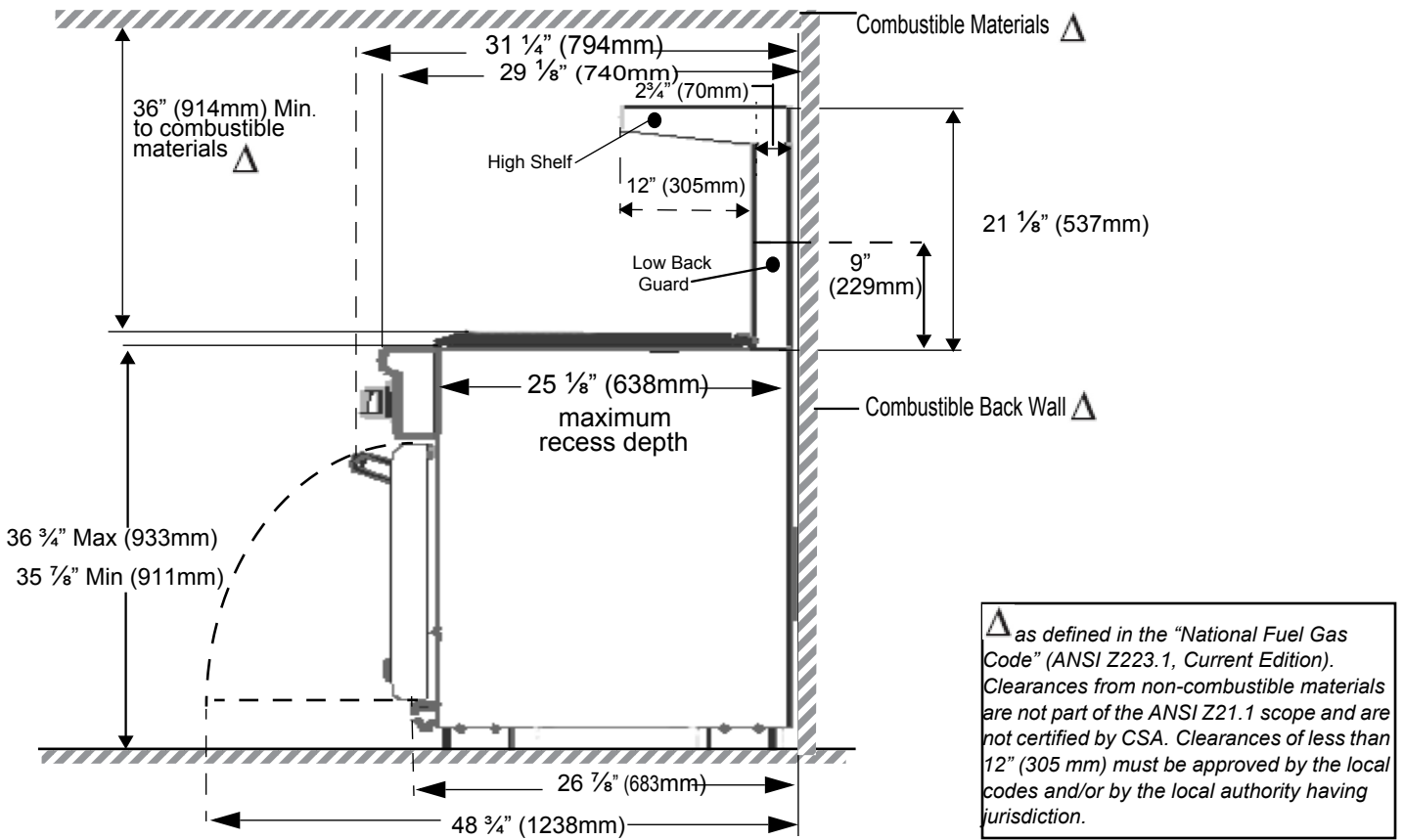


Figure 2: Installation Clearances with High Shelf or Low Backguard

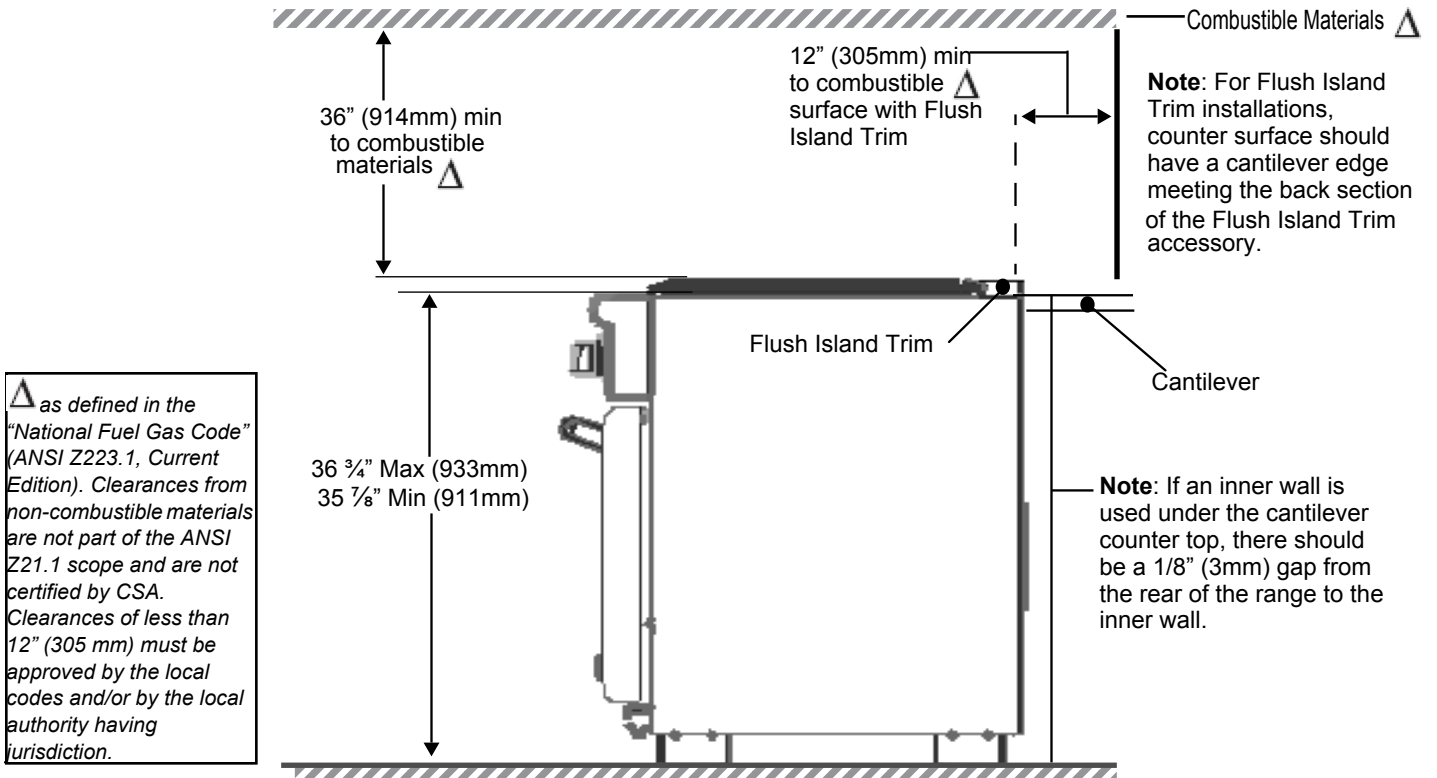


Figure 2b: Installation Clearances with Included Flush Island Trim



## Gas and Electric Supply Zone

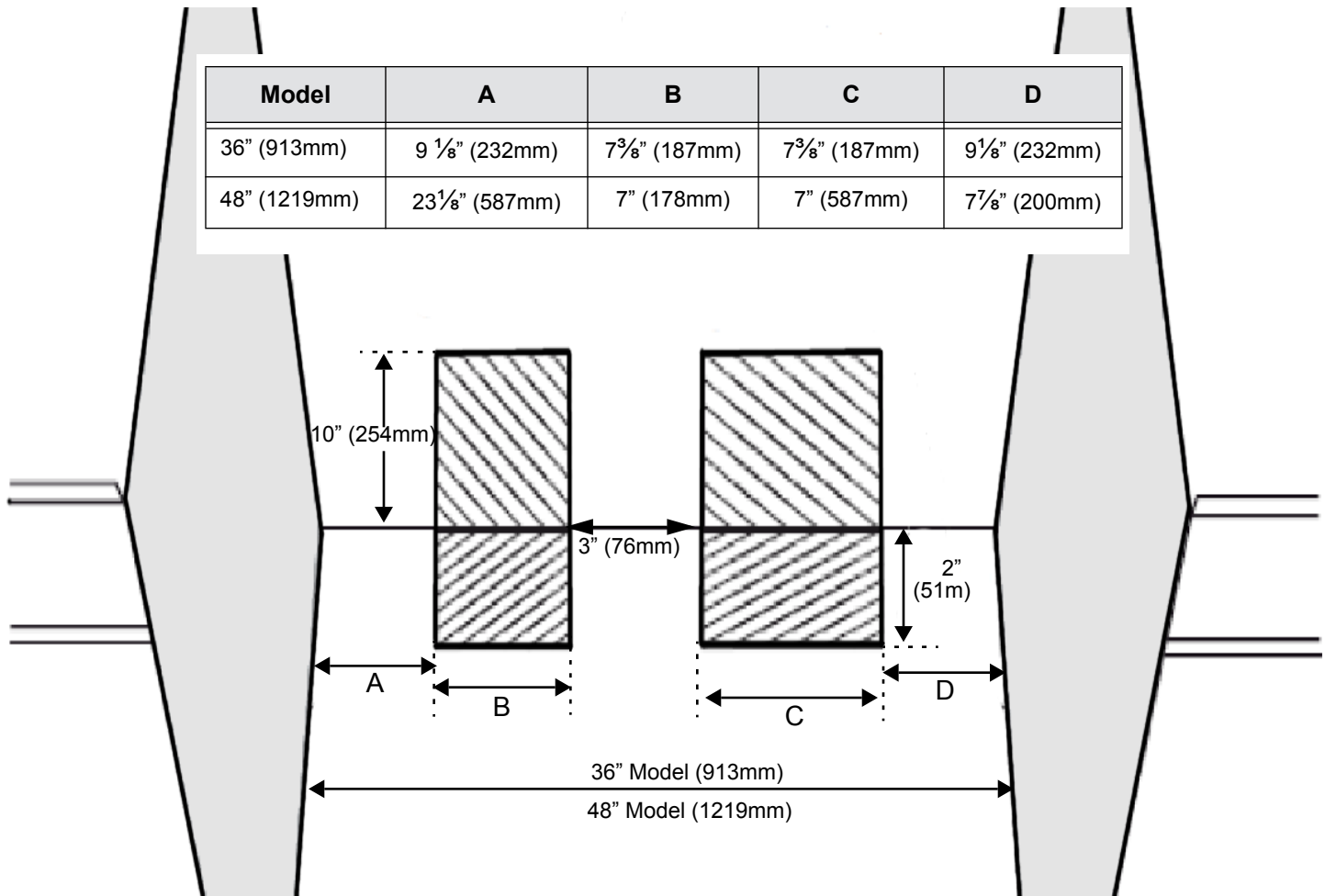


Figure 3: Gas & Electrical Supply Locations

### NOTICE:

- If not already present, install gas shut-off valve in an easily accessible location.
- Make sure all users know where and how to shut off the gas supply to the range.
- Any opening in the wall behind the appliance and any opening in the floor under the appliance must be sealed.

The dual fuel ranges may be connected to the power supply with a range supply cord kit or by hard-wiring to the power supply. It is the responsibility of the installer to provide the proper wiring components (cord or conduit and wires) and complete the electrical connection as dictated by local codes and ordinances, and/or the National Electric Code. The units must be properly grounded. Refer to "Step 7: Electrical Requirements, Connection & Grounding" on page 16 for details.

**The range must be connected only to the type of gas for which it is certified.** If the range is to be connected to propane gas, ensure that the propane gas supply tank is equipped with its own high pressure regulator in addition to the pressure regulator supplied with the range (see "Step 6: Gas Requirements and Hookup" on page 14).

### NOTE:

The range is designed for nearly-flush installation to the back wall. For a successful installation, it may be necessary to reposition the gas supply line and electrical cord as the range is pushed back to its final position.

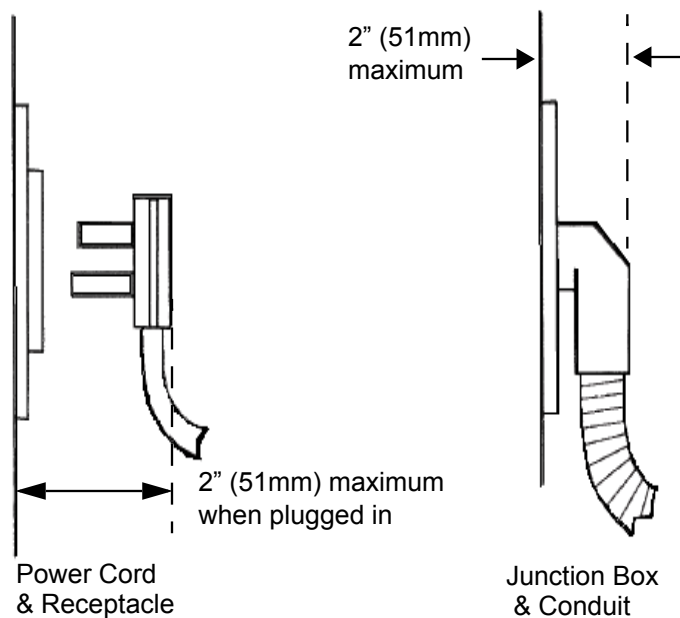
- **SUGGESTION:** This may be accomplished by carefully pulling on a rope or twine looped around the gas or electrical supply line as the range is pushed back into its final installed position.

## Electrical Supply

Installation of the range must be planned so that the rough-in of the terminal block for the receptacle or conduit connection will allow maximum clearance to the rear of the unit.

When the power supply cord or conduit is connected to the mating receptacle or terminal block cover, the combined connection should protrude no more than 2" (51mm) from the rear wall (see *Figure 4*).

Refer to *Figure 15* on *page 16* for location of the terminal block on unit. To minimize binding when the unit is connected, orient the receptacle or conduit connector, and slide back into position.



**Figure 4:** Wall Connection

## Step 3: Unpacking and Moving the Range



### CAUTION:



The unit is heavy and should be handled accordingly. Proper safety equipment such as gloves and adequate manpower of at least two people must be used in moving the range to avoid injury and to avoid damage to the unit or the floor. Rings, watches, and any other loose items that may damage the unit or otherwise might become entangled with the unit should be removed.

Hidden surfaces may have sharp edges. Use caution when reaching behind or under appliance.



### CAUTION:



Do not use a hand truck or appliance dolly on the back or front of the unit. Handle from the side only.

The range has an approximate shipping weight as shown in "Chart A". The grates, griddle plate, burner caps, and oven racks must be removed to facilitate handling. Do not remove the griddle element and tray assembly.

1. Remove the outer carton and packing materials from the shipping pallet but leave the adhesive-backed foam layer over brushed-metal surfaces, to protect finish from scratches, until the range is installed in its final position.
2. Remove the door(s) (see "*Step 4: Door Removal and Reinstallation*" on *page 10*); however, do not remove the warming drawer or steam oven doors. This will create an estimated reduction in the weight as shown in "Chart A" and allow the range to pass through 30" (762mm) doorways (see clearances shown on *page 6*).

Chart A	36" Range	48" Range
Shipping Weight	420 lbs (191 kg)	590 lbs (268 kg)
Weight without packing materials	360 lbs (163 kg)	530 lbs (240 kg)
Without door(s), burner caps, and oven racks	260 lbs (118 kg)	390 lbs (177 kg)



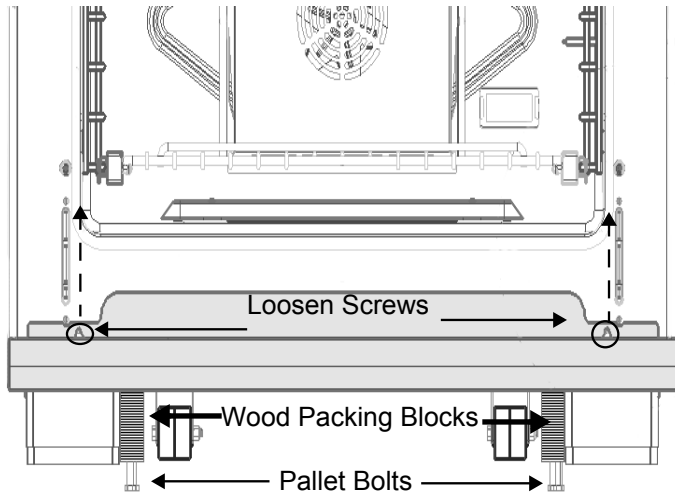
Remove all tape and packaging before using the appliance. Please, recycle the packaging material, as all THERMADOR® appliance packaging material is recyclable. Never allow children to play with packaging material.



### CAUTION:

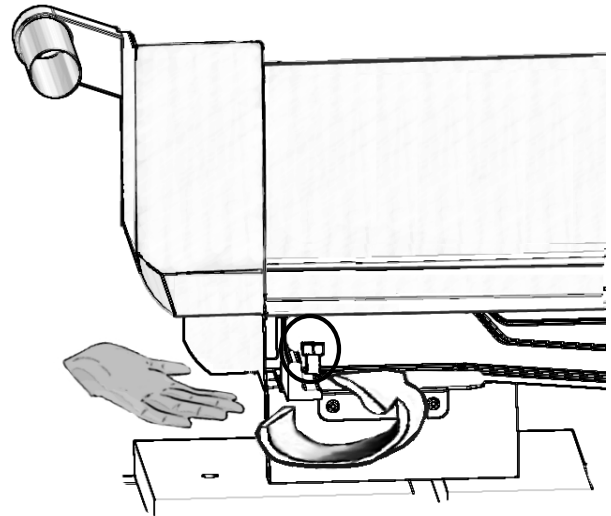
**DO NOT** lift the range by the oven door's handle, as this may damage the door hinges and cause the door to fit incorrectly.

- All ranges are held to the pallet by (4) bolts through a wood block center (see *Figure 5*). The two front pallet bolts are accessible only after removing the Door Trim located beneath the doors.
  - The Door Trim is removed by loosening the 2 screws attaching it to the range and sliding it up and off the screws.



**Figure 5:** Door Trim, Packing Blocks, & Pallet Bolts

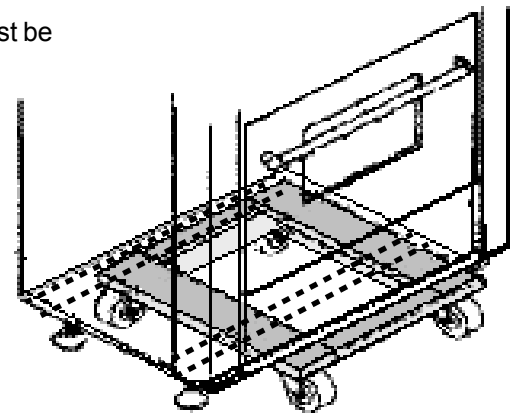
- After removing the pallet bolts using (2) 1/2" (13mm) wrenches (one to hold bolt at the bottom while the other is loosening the nut at the top) and discarding the wood packing block inserts, the range may be carefully tilted back on the (2) casters and removed from the pallet. Use additional help as required to remove from pallet.
  - PRDS48JDSGU/C models: To access the pallet bolt located beneath the warming drawer reach up and behind the frame of the unit with one 1/2" wrench to hold the nut at the top (see *Figure 6*). Use the second wrench to loosen the bolt at the bottom. **DO NOT** remove the warming drawer.



**Figure 6:** Removing Pallet Bolt Beneath Warming Drawer

- Due to the weight, a furniture dolly with soft wheels or an air lift should be used to move this unit. The weight must be supported uniformly across the bottom (see *Figure 7*).

Range must be uniformly supported by braces provided on bottom of range



**Figure 7:** Furniture Dolly Positioning

- After transporting the range by dolly close to its final location, the range can be tipped back and supported on the rear casters while the dolly is carefully removed.
  - "Step 5: Installing Anti-Tip Device", "Step 6: Gas Requirements and Hookup", "Step 7: Electrical Requirements, Connection & Grounding", and "Step 8: Backguard Installation (optional)" must be completed before the range is placed in its final position.
- Use the casters to assist with the installation near to its final location. **THE FLOOR UNDER THE LEGS SHOULD BE PROTECTED BEFORE PUSHING THE UNIT INTO POSITION.**

## Step 4: Door Removal and Reinstallation



### CAUTION:

- USE CAUTION WHEN REMOVING THE DOOR. THE DOOR IS VERY HEAVY.
- Make sure oven is cool and power to the oven has been turned off before removing the door. Failure to do so could result in electrical shock or burns.
- The oven door is heavy and fragile. Use both hands to remove or replace the door.
- Failure to grasp the oven door firmly and properly could result in personal injury and product damage.
- With the door off, never release the levers and try to close the hinges. Without the weight of the door, the powerful springs will snap the hinges closed with great force.

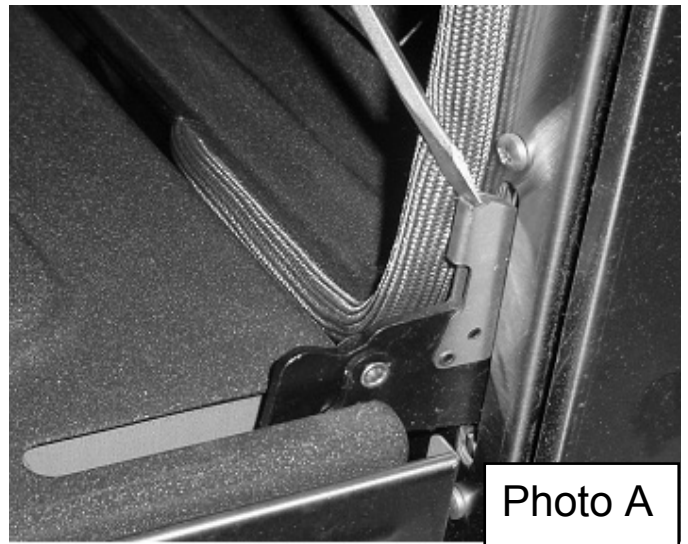


Photo A

### To Remove the Oven Door:

1. Open the door fully and use a screwdriver to carefully pry the hinge clips away from the hinge slots (Photo A).
2. Flip the hinge clip toward you (Photo B).
3. Close the door until it stops against the hinge clips. The open hinge clips will hold the door open at a slight angle.
4. Grasp the door firmly on the ends of the door handle, and lift the door up. (There will be some spring resistance to overcome.) When the door is lifted sufficient to clear the hinge hooks, the door can be pulled straight out (Photo C). Place the door in a safe and stable location.



Photo B

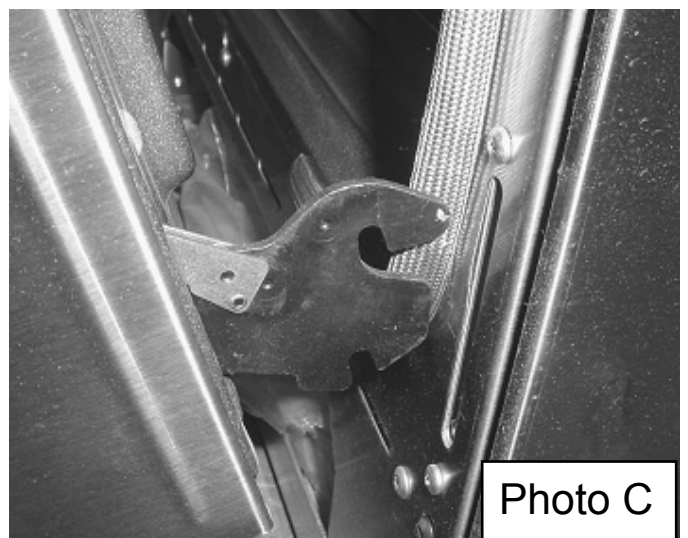
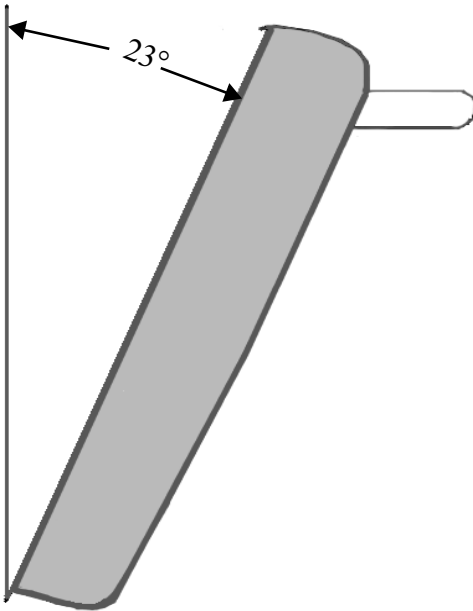


Photo C

## To Reinstall the Oven Door:

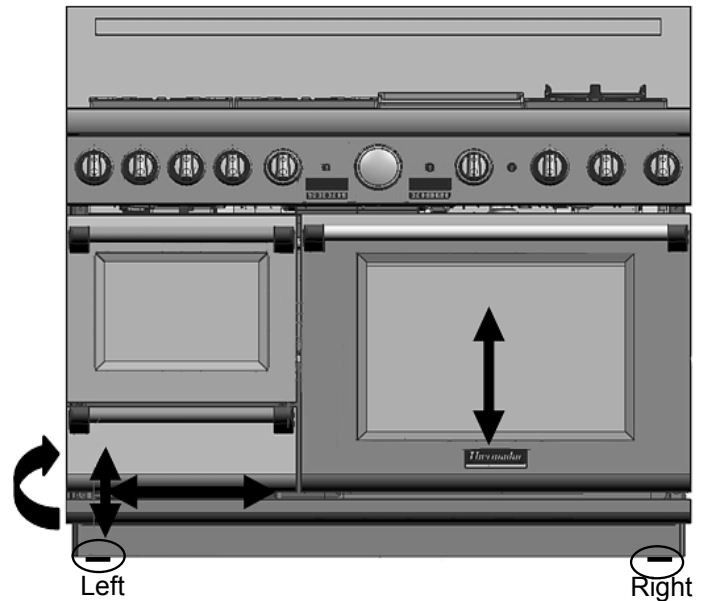
1. Position the door at a sharp angle (see *Figure 8*) and insert the hinges centered evenly into the hinge slots. The hinges will securely hook into the slots when properly installed. Do not force, bend, or twist the door.
  - Tip: Rest the door on your foot while using your leg for stability.
2. Open the door fully and use a screwdriver to push the hinge clips all the way into the hinge slots (toward the oven) until they meet the hinge. Be careful not to scratch the range during this process.



**Figure 8:** Approximate Door Angle for Removal

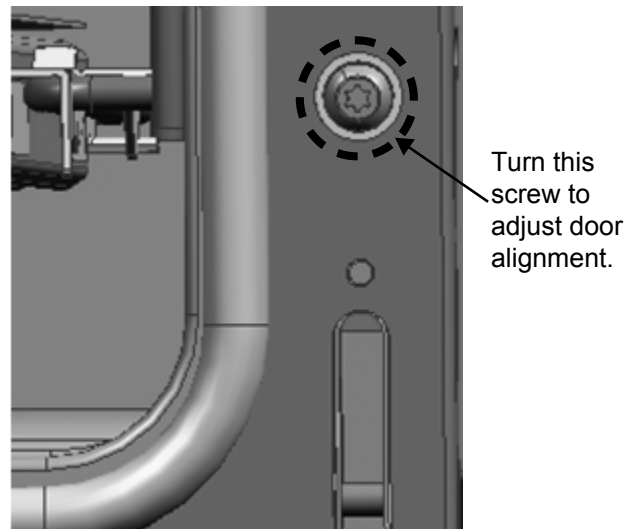
## To Check Door Fit and Adjustment:

1. Open and close the door slowly to test the movement and the fit of the door to the oven cavity. Do not force the door to open or close. If the door is properly installed, it should move smoothly and rest straight on the front of the range when closed.
2. If the door does not operate correctly, verify that the hinges are properly seated into the hinge slots, and that the hinge clips are fully engaged into the slots.



**Figure 9:** Door Alignment, 48" Steam with Warming Drawer

3. For large and small ovens, if door or handle appears slightly tilted, you may adjust the hinge receiver by rotating the large Torx-head screw located directly above the hinge receiver with a T-20 Torx driver. Rotate each screw respective to its side and direction the door needs to be adjusted (*Figure 10*).



**Figure 10:** Hinge Receiver Adjustment Screw



## Adjusting the Leveling Legs

The range must be level for proper alignment of the oven doors. All models have a total of (4) leveling legs, one beneath each corner, that are threaded into the cast aluminum base structure (see *Figure 9 on page 11*).

- Rotating the right front leveling leg clockwise will raise the right corner of the door. Rotating the right front leveling leg counterclockwise will lower the right side of the door. Rotating the left front leveling leg will result in the opposite effect. (See also “*Step 9: Placing and Leveling the Range*” on page 25.)

## Adjustment for the Warming Drawer Front

1. To adjust the tilt angle on the warming drawer so the front face is flush with the front face of the steam oven door, loosen the (2) screws on both sides of the drawer frame. Once the correct tilt is achieved, tighten the screws.
2. To adjust vertical and horizontal location to ensure an even gap between the oven doors, loosen the (4) screws on the back side of the warming drawer door. Adjust the height of the warming drawer door so that its bottom edge lines up with the bottom edge of the main oven door. Adjust the warming drawer door side to side so that it aligns with the steam oven door. Once all gaps are even, tighten the screws.

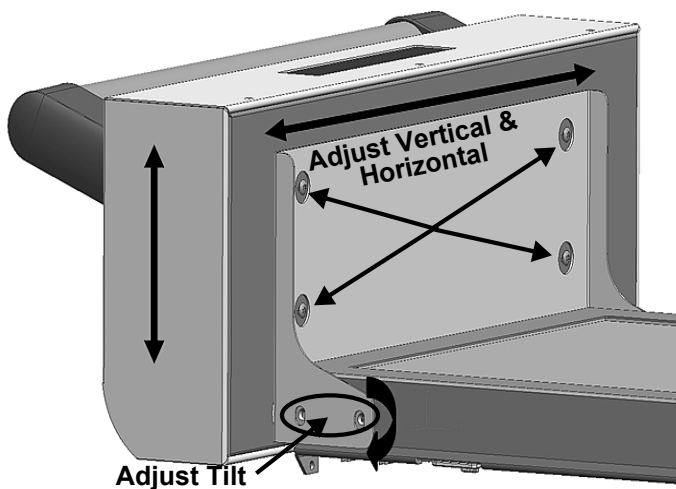


Figure 11: Warming Drawer Adjustment

**Note:** The steam oven door is not adjustable.

## Step 5: Installing Anti-Tip Device



### WARNING:

#### RANGE TIPPING HAZARD:

- All ranges can tip and injury can result. To prevent accidental tipping of the range, attach it to the floor by installing the Anti-Tip Device supplied.
- A risk of tip-over may exist if the appliance is not installed in accordance with these instructions. For all ranges an anti-tip device must be installed as per these instructions.

If the range is pulled away from the wall for cleaning, service or for any other reason, ensure that the Anti-Tip Device is properly re-engaged when the range is pushed back against the wall. In the event of abnormal usage (such as a person standing, sitting, or leaning on an open door), failure to take this precaution can result in tipping of the range. Personal injury might result from spilled hot liquids or from the range itself.



### WARNING:

#### ELECTRICAL SHOCK HAZARD:




- Use extreme caution when drilling holes into the wall or floor as there may be concealed electrical wires.
- Identify the electrical circuits that could be affected by the installation of the Anti-Tip Device, then turn off power to these circuits.
- Failure to follow these instructions may result in electrical shock or other personal injury.

#### ATTENTION — PROPERTY DAMAGE:

- Contact a qualified installer or contractor to determine the proper method for drilling holes through the wall or floor material (such as ceramic tile, hardwood, etc.)
- Do not slide the range across an unprotected floor.
- Failure to follow these instructions may result in damage to wall or floor coverings.

## Tools Needed for Installation of Anti-Tip Device:

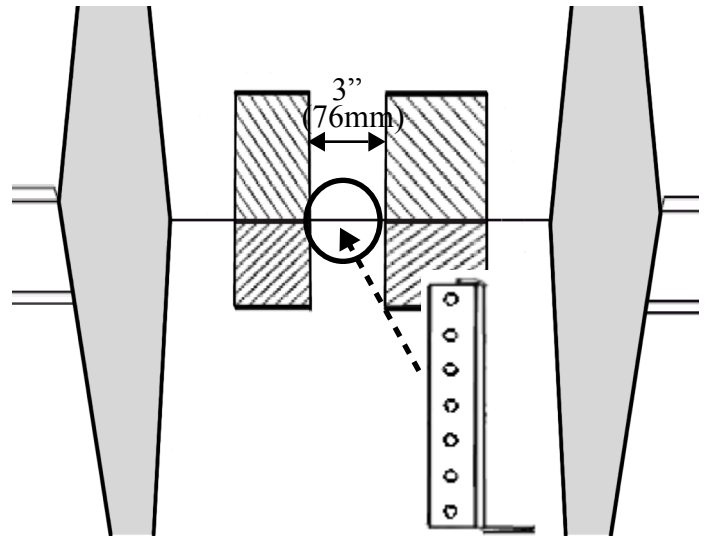
- Screwdriver, Phillips
- Drill, electric or hand
- Measuring tape or ruler
- 1/8" (3.17mm) drill bit (wood or metal; wall or floor)
- 3/16" (4.76mm) carbide-tipped masonry drill bit (concrete or concrete block wall or floor)
- 3/16" (4.76mm) anchors, drywall or concrete, 4 each (not required if mounting bracket is being attached to solid wood or metal)
- Hammer
- Pencil or other marker

 <b>WARNING:</b>	
 	<ul style="list-style-type: none"> <li>-- A child or adult can tip the range and be killed.</li> <li>-- Verify the anti-tip device has been properly installed and engaged as per installation instructions.</li> <li>-- Ensure the anti-tip device is re-engaged when the range is moved.</li> <li>-- Do not operate the range without the anti-tip device in place and engaged.</li> <li>-- Failure to do so can result in death or serious burns to children or adults.</li> </ul> <p>See further Installation Instructions.</p>

THERMADOR Service Part No.	Qty	Description
415078	4	Screw, Phillips, #10 x 1½" (38.1mm)
655355	1	Anti-Tip Bracket

## Important Installation Information:

- Attach anti-tip bracket to a solid wood cabinet having a minimum wall thickness of 3/4" (19mm). The thickness of the wall or floor may require use of longer screws, available at your local hardware store.
- Use appropriate anchors when fastening the mounting bracket to any material other than hard-wood or metal.
- In all cases, at least (2) of the bracket mounting screws must firmly fasten the anti-tip bracket to the floor, and (2) of the mounting screws (or drywall anchors) must firmly fasten the anti-tip bracket to the rear wall (see *Figure 12* and *Figure 13*).



**Figure 12:** Anti-tip Bracket Mounting Location

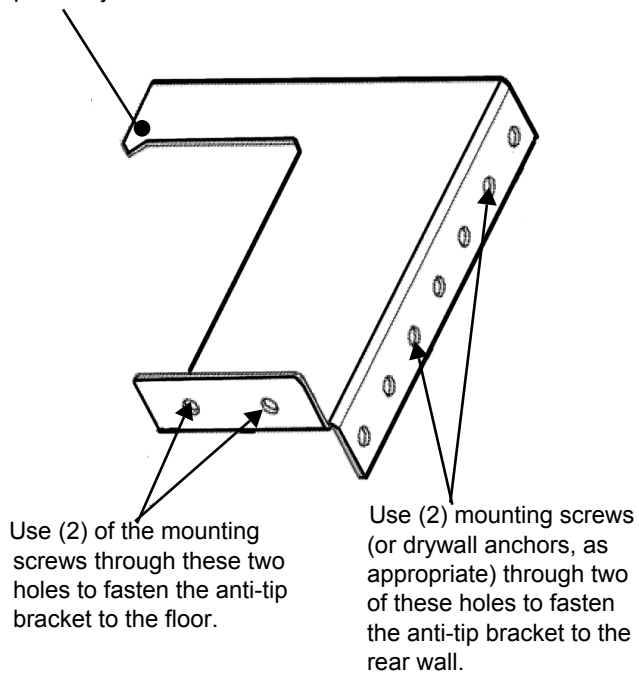
## Mounting the Anti-Tip Bracket

1. Prepare holes at fastener locations as identified below:
  - For walls, wall studs, or floors composed of solid wood or metal, drill 1/8" (3.17mm) pilot holes.
  - For walls or floors composed of drywall, sheet-rock or other soft materials, drill 3/16" (4.76mm) holes to a minimum depth of 1¾" (44mm), then tap plastic anchors into each of the holes using a hammer.
  - For walls or floors composed of concrete or concrete block, drill 3/16" (4.76mm) holes to a minimum depth of 1¾" (44mm), then tap concrete anchors into each of the holes using a hammer.
  - For walls or floors having ceramic tile covering, drill 3/16" (4.76mm) holes through the tile only, then drill into the material behind the tile as indicated immediately above.



2. Place bracket on floor near the center of where the unit is to be finally located (shown in *Figure 12*).
  - If the range is moved to a new location, the Anti-Tip Device must be reinstalled.
3. Secure bracket into the wall stud and to the floor using the screws provided.
4. Later, when the unit is installed, the adjustable legs will allow the cast base to slide under the bracket hook, stabilizing the unit.

With the range in its final installed location, the hook of the anti-tip bracket will overhang the back of the range's cast-aluminum base, in a position just above the cast base.



Use (2) of the mounting screws through these two holes to fasten the anti-tip bracket to the floor.

Use (2) mounting screws (or drywall anchors, as appropriate) through two of these holes to fasten the anti-tip bracket to the rear wall.

**Figure 13:** Anti-tip Bracket

## Step 6: Gas Requirements and Hookup

Verify the type of gas being used at the installation site. Make certain the range matches the type of gas available at this location. The appliance is shipped from the factory for use with natural gas. It must be converted for use with propane.

Field conversion of the appliance for use with propane gas supply will require installation of the conversion kit supplied with the range (service number 553182). A qualified technician or installer must do the conversion. See LP Conversion Kit instructions for full installation information. Obey all instructions in this kit for correct conversion of the gas regulator and settings for the gas valves.



### CAUTION:

When connecting unit to propane gas, make certain the propane gas tank is equipped with its own high pressure regulator in addition to the pressure regulator supplied with the appliance. The pressure of the gas supplied to the appliance regulator must not exceed 14" water column (34.9 mb).



### CAUTION:

Do not remove the back cover of the range. It is for an authorized servicer access only.



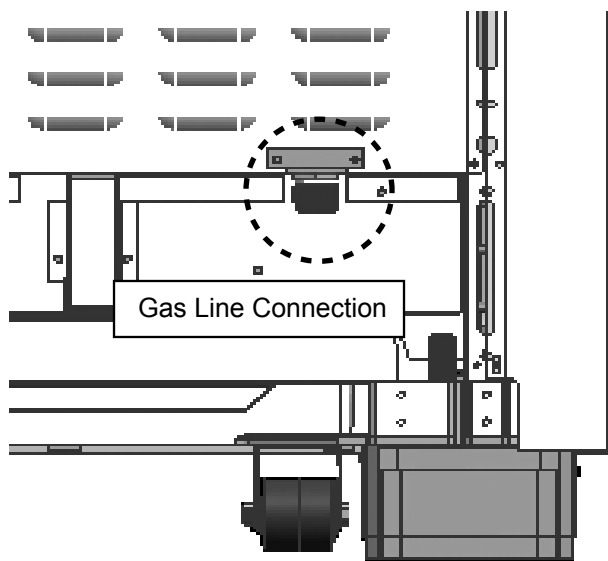
### WARNING:

If a gas conversion kit is used, the kit shall be installed by a qualified service agency in accordance with the manufacturer's instructions and all applicable codes and requirements of the authority having jurisdiction. If the information in the instructions is not followed exactly, a fire, explosion, or production of carbon monoxide may result causing property damage, personal injury, or loss of life. The qualified service agency is responsible for the proper installation of the kit. The installation is not proper and complete until the operation of the converted appliance is checked as specified in the manufacturer's instructions supplied with the kit.

NATURAL GAS REQUIREMENTS:	
Inlet Connection:	3/4" (19mm) NPT external 1/2" (12.7mm) NPT internal (Minimum 3/4" dia. flex line.)
Supply Pressure:	6" min. to 14" max. water column. (14.9 to 34.9 mb)
Manifold Pressure:	5" water column (12.5 mb)
PROPANE GAS REQUIREMENTS:	
Inlet Connection:	3/4" (19mm) NPT external 1/2" (12.7mm) NPT internal (Minimum 3/4" dia. flex line.)
Supply Pressure:	11" min. to 14" max. water column. (27.4 mb to 34.9 mb)
Manifold Pressure:	10" water column (24.9 mb)

## Hook Up

The gas supply connections shall be made by a competent technician and in accordance with local codes or ordinances. In the absence of local codes, the installation must conform to the National Fuel Gas Code ANSI Z223.1/ NFPA54- current issue.



**Figure 14:** Manifold Gas Line Connection

A manual gas shut-off valve must be installed external to the appliance, in a location accessible from the front, for the purpose of shutting off the gas supply. The supply line must not interfere with the back of the unit.

The range is supplied with its own pressure regulator that has been permanently mounted inside the range.

- Make sure the gas supply is turned off at the manual shut-off valve before connecting the appliance.
- Use 3/4" (19mm) flex line to connect between the gas supply and the appliance inlet pipe, which exits the rear, lower right of the appliance. The appliance pipe connection has a 3/4" (19mm) NPT external thread and a 1/2" (13mm) NPT internal thread (see *Figure 14*).
  - Use caution to avoid crimping the 3/4" (19mm) flex line when making bends.
  - Suggested length of the flex line is 48" (1219mm); however, check local codes for requirements before installation.
  - Use pipe sealing compound or Teflon<sup>®</sup> tape on the pipe threads, and be careful not to apply excessive force when tightening the fittings.
- Leak testing of the appliance shall be in accordance with the following instructions.
  - Turn on gas and check supply line connections for leaks using a soap and water solution.
  - Bubbles forming indicate a gas leak. Repair all leaks immediately after finding them.



### WARNING:

Do not use a flame of any kind to check for gas leaks.



### CAUTION:

The appliance must be isolated from the gas supply piping system by closing its individual manual shut-off valve during any pressure testing of the gas supply piping system at test pressures equal to or less than 1/2 psig (3.5kPa.).

The appliance and its individual shut off valve must be disconnected from the gas supply piping system during any pressure testing of the system at test pressures in excess of 1/2 psig (3.5kPa.).

When checking the manifold gas pressure, the inlet pressure to the regulator should be at least 6.0" W.C. (14.9 mb) for natural gas or 11.0" W.C. (27.4 mb) for propane.

Do not attempt any adjustment of the pressure regulator.

Installer is responsible for ensuring that the installation, gas connections, and grounding comply with all applicable codes.

# Step 7: Electrical Requirements, Connection & Grounding


Prior to servicing appliance, always disconnect appliance electrical supply cord, if so equipped, from wall receptacle. If appliance is hard-wired to power supply, disconnect power to unit by turning off the proper circuit breaker. Lock service panel to prevent power from being turned ON accidentally.

Dual Fuel range models can be connected or hardwired to the power supply as described on *page 17*.

**Chart B: Electrical Supply Circuit Requirements**

MODEL TYPE	VOLTAGE	CIRCUIT RATING	FREQUENCY	PHASE
36"	240/208 VAC	40 Amps	60 Hz.	Single
48"	240/208 VAC	50 Amps	60 Hz.	Single

- A neutral supply wire must be provided from the power source (breaker panel) because critical range components, including the surface burner spark re-ignition module, require 120 VAC to operate safely and properly.

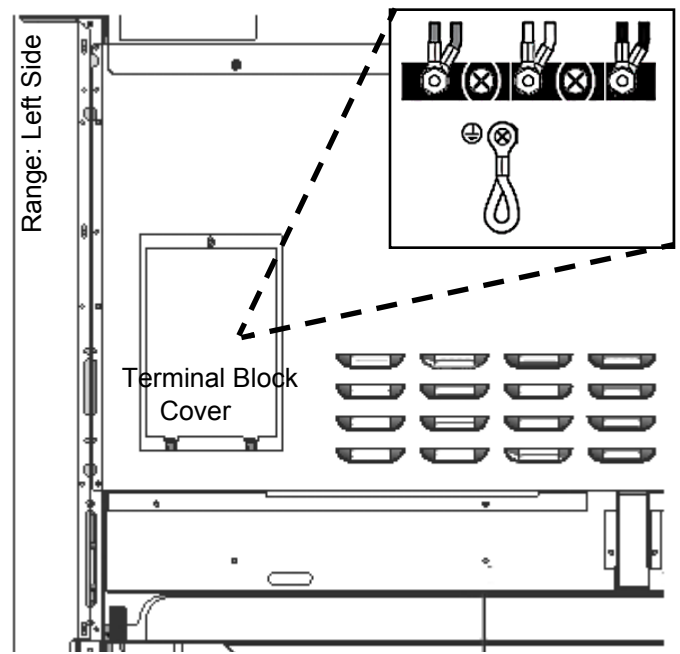


**WARNING:**

An improper 120/ 240 VAC power supply will cause malfunction, damage to this appliance, and possibly create a condition of shock hazard.

- If the correct power supply circuit is not provided, it is the responsibility and obligation of the installer and user to have proper power supply connected. This must be accomplished in accordance with all applicable local codes and ordinances by a qualified electrician. It is the responsibility of the installer to ensure compliance of local codes. In the absence of local codes and ordinances, the power supply connection shall be in accordance with the National Electric Code.
- Observe all governing codes and ordinances when grounding. In the absence of these codes or ordinances observe National Electrical Code ANSI/ NFPA No. 70 current issue. See the following information in this section (Step 7) for grounding method.
- Electrical wiring diagrams and schematics are attached behind the Door Trim of the range, for access by a qualified service technician (see *Figure 5* on *page 9*).
- The ranges are to be connected to a 240/208 VAC power supply.

Dual Fuel models must be connected to the power supply utilizing one of the following methods. For all methods of connection, the length of the cord or conduit/wiring must allow the unit to be slid completely out of the cabinet without having to unplug or disconnect the unit from the power supply. Recommended minimum free length of cord or conduit is 4ft (1.2m). Electrical installations and grounding must be in accordance with all local codes and ordinances, and/or the National Electric Code, as applicable.



**Figure 15: Terminal Block Location**

## PERMANENT CONNECTION (HARD WIRING) —

Units may be hard wired to the power supply. The installer must provide approved flexible aluminum conduit, 3/4" (19mm) trade size, maximum 6ft (1.8m) long. Locate the terminal block on the rear of the unit and remove cover (refer to *Figure 15*). The conduit must be installed to the terminal block using an approved conduit connector. The free end of the conduit must be connected to a junction box provided in the electrical supply zone, as shown in *Figure 3* on page 7.

Mount a strain relief (not provided) into the 1" (25.4mm) diameter hole located below the terminal block (see *Figure 16*). Wiring for the unit is to be brought into the terminal block through the conduit and through the strain relief. The ends of the wiring must have 1/4" faston closed-loop lugs attached, preferably soldered in place. Make the connections to the terminal block provided (see *Figure 15*).

If aluminum supply wiring exists in the installation, splice the aluminum house wiring with appropriate-thickness gauge copper wire for adapting to the range, using special connectors designed and certified for joining copper and aluminum wire. Follow the connector manufacturer's recommended installation procedure.



### WARNING:

Improper connection of aluminum house wiring can result in a fire or shock hazard. Use only connectors designed and certified for connecting to aluminum wire.

**Installer** — Show the owner the location of the circuit breaker. Mark it for easy reference.

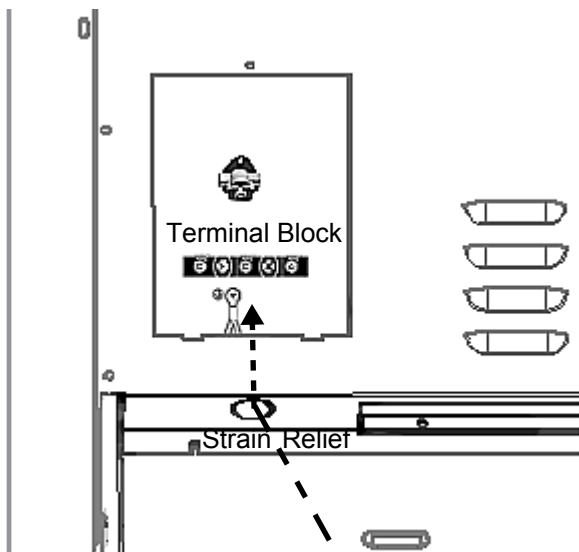


Figure 16: Strain Relief Location

**4-CONDUCTOR CORD**— NORMALLY, A UNIT MUST BE CONNECTED TO THE POWER SUPPLY WITH A 3-POLE, 4-CONDUCTOR CORD KIT RATED 125/250 VOLTS, 50 AMPERES, AND MARKED FOR USE WITH RANGES.

The cord kit must be attached to the range terminal block with a strain relief which will fit a 1" (25.4mm) diameter hole. If not already equipped, the cord must also have 1/4" (6mm) faston closed-loop lugs attached to the free ends of the individual conductors, preferably soldered in place.

## 4-Wire Connection

1. Remove upper nuts only from the terminal block studs. Do not remove lower nuts which secure range internal wiring leads.
2. Mount strain relief (not provided with range) into the 1" (25.4mm) diameter hole in the back panel located below the terminal block (see *Figure 16*). Route wires up through strain relief.
3. Secure the neutral, grounded wire of the supply circuit, to the center stud of the terminal block with nut (see *Figure 17*).
4. Secure the L1 (black) and L2 (red) power leads to the outside terminal studs (brass colored) with nuts.
5. Remove green ground screw located beneath the terminal block. Discard white wire.
6. Secure the bare copper ground lead to the range chassis using the ground screw previously used for the white wire. Be sure that neutral and ground terminals do not touch.
7. Tighten all connections securely.

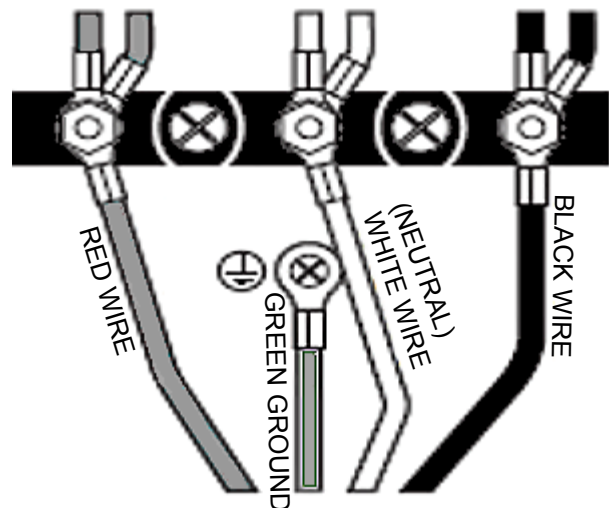


Figure 17: 4-Wire Connection

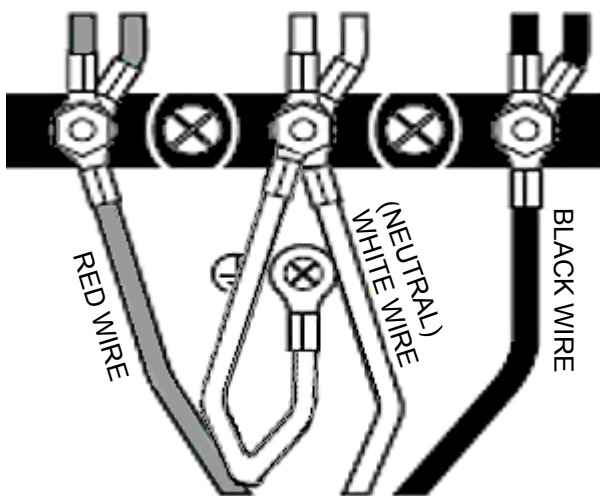
8. Reinstall the Terminal Block Cover.

**3-CONDUCTOR CORD** — WHERE LOCAL CODES AND ORDINANCES PERMIT GROUNDING THROUGH NEUTRAL, AND CONVERSION OF SUPPLY TO 4 WIRE IS IMPRACTICAL, UNIT MAY BE CONNECTED TO THE POWER SUPPLY WITH A 3-POLE, 3-CONDUCTOR CORD KIT RATED 125/250 VOLTS, 50 AMPERES, AND MARKED FOR USE WITH RANGES.

The cord kit must be attached to the range back panel with a strain relief which will fit a 1" (25.4mm) diameter hole. If not already equipped, the cord must also have 1/4" (6mm) faston closed-loop lugs attached to the free ends of the individual conductors, preferably soldered in place.

### 3-Wire Lead Connection

1. Remove upper nuts only from the terminal block studs. Do not remove nuts which secure range internal wiring leads.
2. Mount strain relief (not provided with range) into the 1" (25.4mm) diameter hole in the back panel located below the terminal block (see *Figure 16*). Route wires up through strain relief.
3. Secure the neutral, grounded wire of the supply circuit, to the center stud (silver colored) of the terminal block (see *Figure 18*).
4. Secure the L1 (black) and L2 (red) power leads to the outside corresponding terminal block studs (brass colored).
5. Secure one end of the mounted looped neutral wire, located beneath terminal block, to the center stud of the terminal block with nut and keep the other end of the wire screwed into the back of the range.
6. Tighten nuts securely.



**Figure 18:** 3-Wire Connection


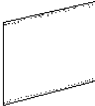
7. Reinstall the Terminal Block Cover.

## Step 8: Backguard Installation (optional)

Installation methods will vary upon need. Before you begin read these instructions carefully. Observe all local codes and ordinances.

### Backsplash Installation

(PA [30,36, 48] JBS)

Parts Included	Tools Needed
 (10) 1" (25.4mm) screws	Phillips screwdriver or drill
 (1) Backsplash	Tape measure
(1) Installation Guide	Pencil

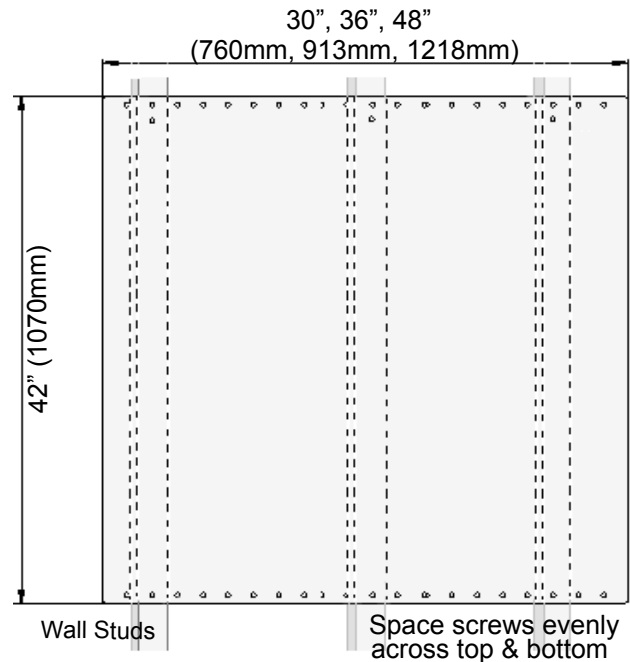
- The backsplash must be installed prior to installing an overhead hood given that the hood shell covers the top mounting screws of the backsplash.
- To protect against scratches, leave protective film on backsplash until after installation is complete.
- If range is already installed, refer to the manufacturer's instructions to disconnect gas and power supplies. Move range forward to gain access to rear of unit.



#### WARNING:

To reduce the risk of fire or injury to persons, check to make sure all packaging has been removed from accessory devices before use.

1. Locate and lightly mark wall studs.
  - Wall studs are usually installed with a 16" or 24" (406mm or 1372mm) space on center.
2. The height of the hood will determine the height of the top edge of the backsplash. The backsplash should be mounted so that the bottom rear edge of the hood overlaps the backsplash 1½" (38mm).
3. Per each wall stud, use (2) of the provided screws to secure both the top and bottom of the backsplash (see *Figure 19*).
  - Due to variable wall stud widths and varying backsplash widths, in some cases only one wall stud may be found at the mounting location.
4. Remove protective plastic.



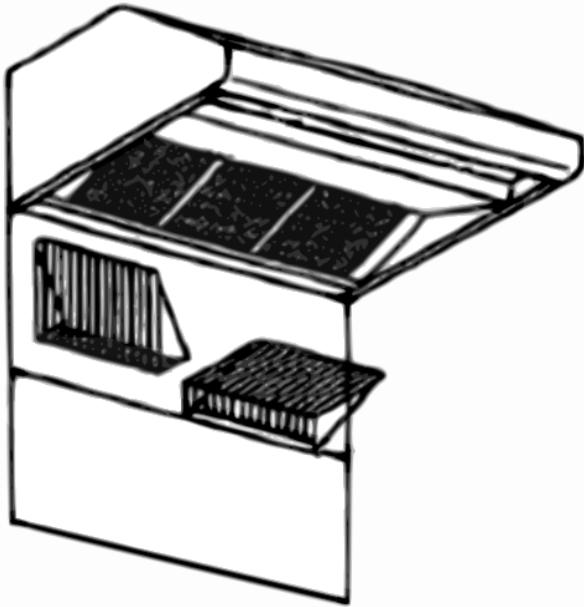
**Figure 19:** Backsplash Installation



## Installing a Backsplash with a Keep Hot Shelf

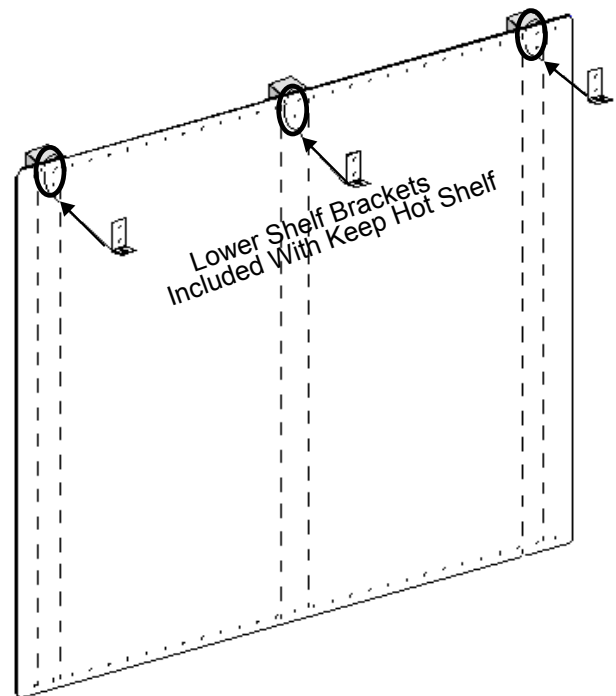
A hood can be installed first if the Backsplash is to be installed with a Keep Hot Shelf given that the Keep Hot Shelf covers the top mounting screws of the Backsplash (*Figure 20*).

- To protect against scratches, leave protective film on the backsplash until after installation is complete.
- If range is already installed, refer to the manufacturer's instructions to disconnect gas and power supplies. Move range forward to gain access to rear of unit.



**Figure 20:** Backsplash with a Keep Hot Shelf

1. Locate wall studs.
  - Wall studs are usually installed with a 16" (406mm) or 24" (1372mm) space on center.
2. The height of the hood will determine the height of the top edge of the backsplash. The backsplash should be mounted so that the bottom rear edge of the Keep Hot Shelf overlaps the backsplash 1½" (38mm).
3. At the locations indicated in *Figure 21*, mount the lower shelf brackets included with the Keep Hot Shelf through the Backsplash and into the wall studs.
  - Due to variable wall stud widths and varying backsplash widths, in some cases, only one wall stud may be found at the mounting location.
4. Remove backsplash protective covering.
5. Start with the Keep Hot Shelf Installation.



**Figure 21:** Backsplash with a Keep Hot Shelf



# Keep Hot Shelf

(KHS [30,36,42,48] QS)

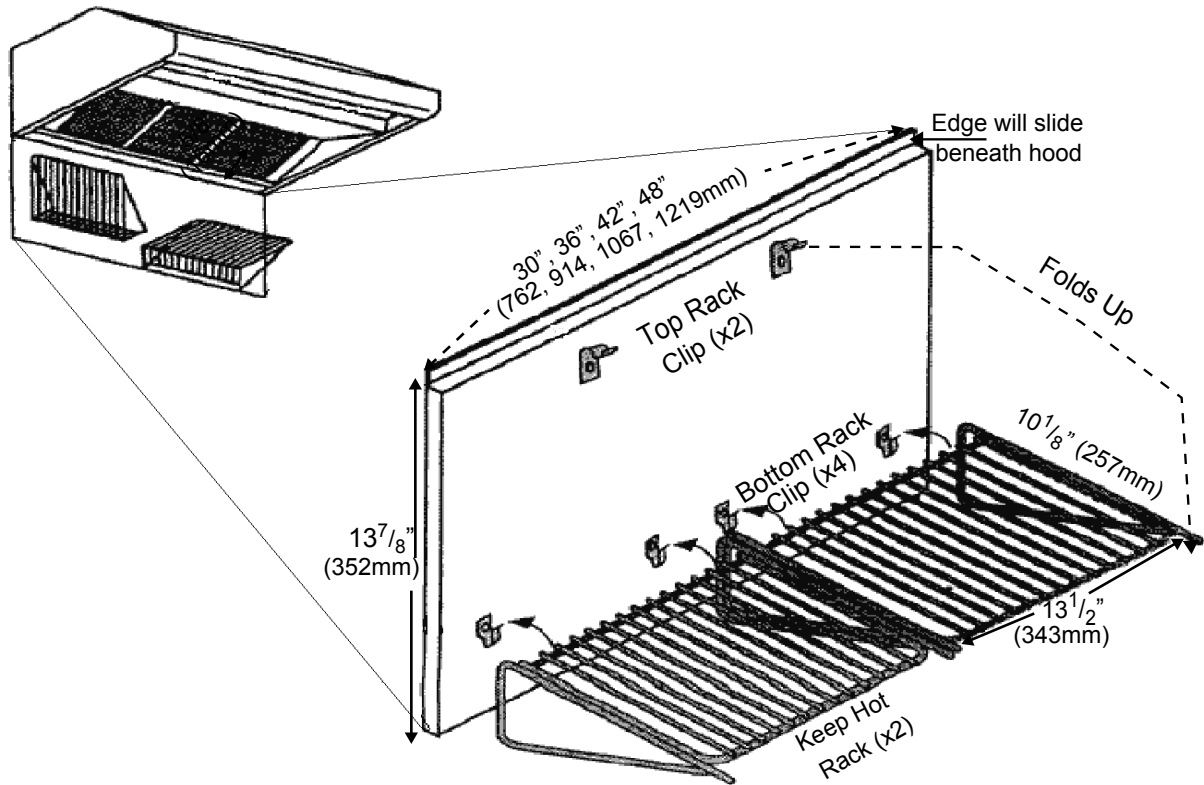





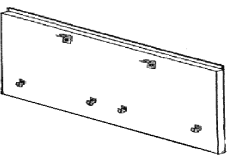


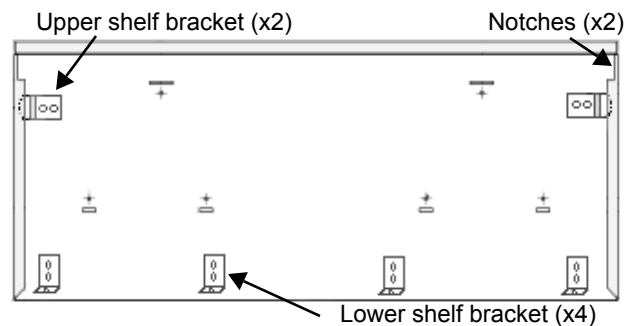
Figure 22: Keep Hot Shelf

Items Included	
	(12) 1" (25.4mm) screws (4) 1/2" (12.7mm) screws
	(4) U-Nuts
	(2) Top shelf brackets
	(4) Lower shelf brackets
	(2) Keep hot racks
	(1) Keep hot shelf backslash
	(1) Installation guide & template

Tools Needed
Tape measure
Phillips screwdriver or drill
Painter's Tape
Sharp knife or scissors
Pencil

1. Tape the templates included with the Keep Hot Shelf to the wall accordingly:
  - Tape the sheet titled Left Hand Template to bottom and left end of hood. Align the bottom line of hood with the top line of the template.
  - Tape the sheet titled Right Hand Template to bottom and right end of hood. Align the bottom line of hood with the top line of the template.
  - Tape the sheet titled Installation Instruction so that the arrow at the top of the template aligns with hood centerline. Align the bottom line of the hood with the top line of the template.
  - Left to right sides of the template must be equal to length of shelf.
2. Mount the (2) top shelf brackets and the (3) lower shelf brackets at the locations outlined on the templates. Secure with (10) 1" (25.4mm) screws provided.
3. Cut template out from around the brackets and remove from the wall. Do not discard template before the Keep Hot Shelf is completely installed.
4. Insert (3) U-Nuts onto the (3) lower shelf brackets.

5. Install the wall plate by setting the corner notches (back of wall plate) atop the (2) top shelf brackets. Slide the shelf upwards until the bottom engages with the (3) lower brackets (*Figure 23*).



**Figure 23:** 48" Back of Wall Plate

6. Check if the top is properly secured by pulling the top section of the shelf from the wall.
7. Secure to bottom of shelf with the (4) 1/2" (12.7mm) screws provided.

**For 48" Keep Hot Shelf**

Follow steps 1-6 except use (4) lower brackets which must be spaced equally 15" (381mm) center-to-center.

# Backguard Installation

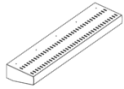
## AVAILABLE FOR THESE PRO GRAND® DUAL FUEL MODELS:

PRD364JDGU	Pro Grand 36" Dual Fuel Range 4 Burner Griddle
PRD364JDGC	Pro Grand 36" Dual Fuel Range 4 Burner Griddle - Canadian
PRD366JGU	Pro Grand 36" Dual Fuel Range 6 Burner
PRD366JGC	Pro Grand 36" Dual Fuel Range 6 Burner - Canadian
PRD486JDGU	Pro Grand 48" Dual Fuel Range 6 Burner Griddle
PRD486JDGC	Pro Grand 48" Dual Fuel Range 6 Burner Griddle - Canadian
PRD48JDSGU	Pro Grand 48" Dual Fuel Range w/ Steam Oven
PRD48JDSGC	Pro Grand 48" Dual Fuel Range w/ Steam Oven - Canadian

**NOTE:** If a backsplash is to be used in addition to a backguard, install the backsplash first and the backguard second before sliding range into place.

### High Shelf Parts Included

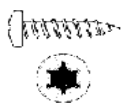
(1) High Shelf top panel



(1) High Shelf front panel



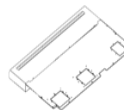
(13) T-20 Torx Stainless screws  
(16 or 14) T-20 Torx drill point screws



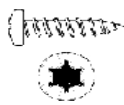
(1) Installation Guide

### Low Back Parts Included

(1) Low Back panel



(9 or 8) T-20 Torx stainless screws  
(8 or 6) T-20 Torx drill point screws



(1) Installation Guide

### Tools Needed

T-20 Torx head screwdriver or drill

Protective Work Gloves



### WARNING:

To reduce the risk of fire or injury to persons, check to make sure all packaging has been removed from accessory devices before use.



### WARNING:

Fingers or hands could get pinched when installing the backguard. Severe injury could result. Use extreme caution and wear thick protective gloves to avoid potential laceration to finger or hand while sliding the backguard down onto the range.



### CAUTION:

The High Shelf can get **very hot!** DO NOT place the following items on top of the High Shelf:

- plastics or containers that can melt
- flammable items.
- a total load over 30 pounds (13.6kg)

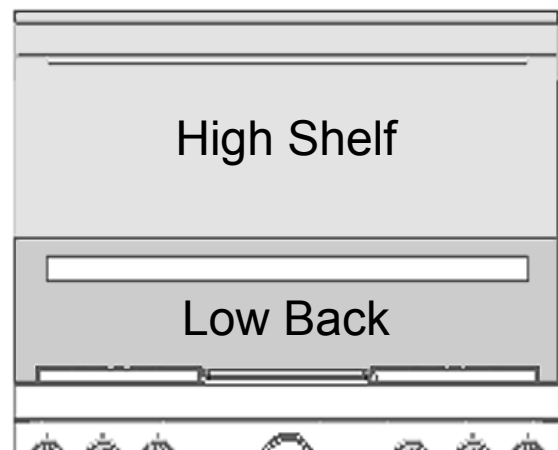


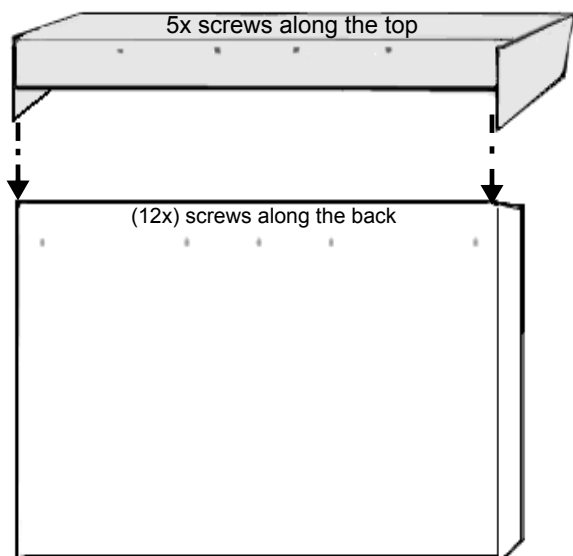
Figure 24: High Shelf & Low Back Front View

When installing against a combustible surface, a High Shelf or Low Backguard is required. A THERMADOR® High Shelf or Low Backguard must be purchased separately. See clearances on *page 6* for more information.

Backguard Kit Model Numbers			
Model	36"	48"	48" Steam
Low Back	PA36JLBG	PA48JLBG	PA48JLBSG
High Shelf	PA36JHSG	PA48JHSG	PA48JHSSG
Flush Island Trim	Included on Range	Included on Range	Included on Range

When using the Flush Island Trim, THERMADOR recommends a minimum 12" (305 mm) rear clearance to a combustible surface (see *Figure 1, Cabinet Clearances*). Clearances from non-combustible materials are not part of the ANSI Z21.1 scope and are not certified by CSA. Clearances of less than 12" (305 mm) must be approved by the local codes and/or by the local authority having jurisdiction.

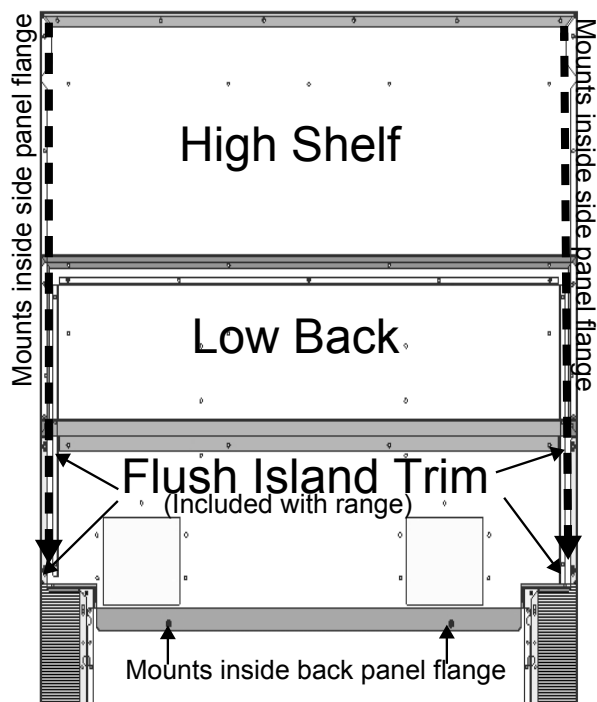
## High Shelf Assembly



**Figure 25:** Backguard Rear View

1. Remove protective plastic.
2. Slide the shelf onto the backguard channel.
3. Install the included (5) stainless screws along the topside of shelf and (8) stainless screws into the back of the shelf.
4. Begin with Backguard Installation.

## Backguard Installation



**Figure 26:** Backguard Installation

1. Remove protective plastic.
2. Depending on model, remove the (3) or (5) T-20 Torx stainless screws in the front face of the included Flush Island Trim, the (4) drill point screws securing the trim to the side panels, and the (2) or (4) drill point screws securing the piece to the back panel. Lift up to fully remove.
3. Align the back panel of the new accessory with the flanges on the range side panels right and left rear corners. The backguard is inserted inside the guide channels on the back of the range.
4. Make sure the backguard's front face is outside the flange on the front side of the range.
5. Re-install screws in the new backguard's front and back panels.
6. Re-install (4) drill point screws to secure the backguard's back panel to the side panels on the back of the range.

## Step 9: Placing and Leveling the Range

For proper performance, the range must be level. This is especially important for all products that have the griddle feature. Priority should be placed on ensuring that the oven cavities are also level for optimum cooking performance.



### CAUTION:

The top edges of the range's side panels must be on the same or higher level as the adjacent countertop. If the range is operated while at a lower height relative to the adjacent cabinet, the cabinet could be exposed to excessive temperatures, causing damage to the cabinet and countertop (see *Figure 29* on page 26).

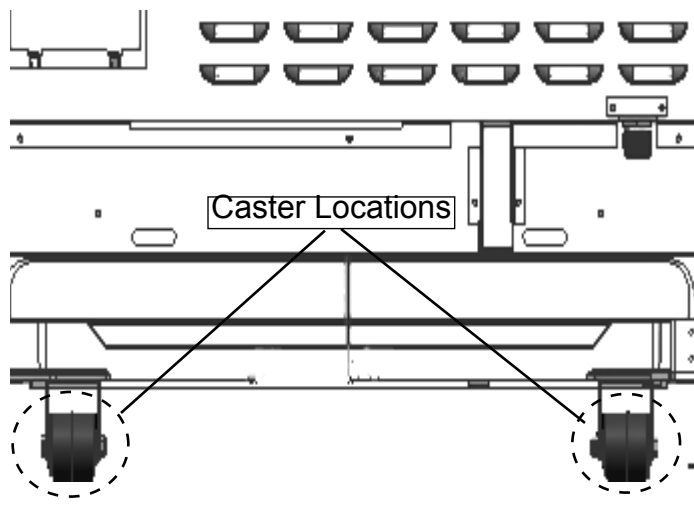


Figure 27: Castor Locations

1. Each range has a pair of casters adjacent to the rear legs (see *Figure 27*). The casters make moving the range easier by slightly lifting the front and allowing the casters to glide the range back towards its installed position.
2. The range has (4) leveling legs that are threaded into the cast aluminum base structure. The range is leveled by rotating the legs using an 12" (305mm) adjustable wrench on the flat sides of each foot.
  - It is suggested to measure the counter top heights first with a tape measure and adding an additional 1/16" - 1/8" (2-3mm), then adjusting the legs accordingly prior to pushing the range back to its final location.
3. Progression of the height adjustments should be alternated proportionally between the four legs, until the top edges of the range's side panels are close to matching the countertop height.

4. Final height adjustments of the two rear legs take place before moving the range into its installed position in the cabinet.
5. As the range is moved into its final, installed position, verify that the "hook" on the Anti-Tip Bracket is in a position to engage the back edge of the cast base (see "*Step 5: Installing Anti-Tip Device*" on page 12). This can be verified by viewing through the opening near the floor.
6. With the range in the installed position, the final height adjustments are made to the two front legs to ensure proper alignment to the countertop.

### Griddle Tilt Adjustment (not all models)

If the range is equipped with an electric griddle, check the griddle frame adjustment by pouring two tablespoons of water on the back of the griddle plate. The water should slowly roll into the grease tray. If not, adjust the two screws under the back of the frame. Start with one half turn counterclockwise (CCW) of the screws. Further adjustment should be made by one-quarter turn until water slowly flows into the grease tray.

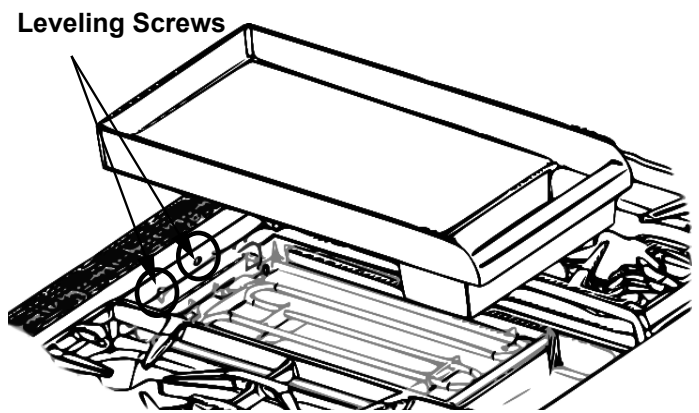


Figure 28: Griddle Leveling Screws



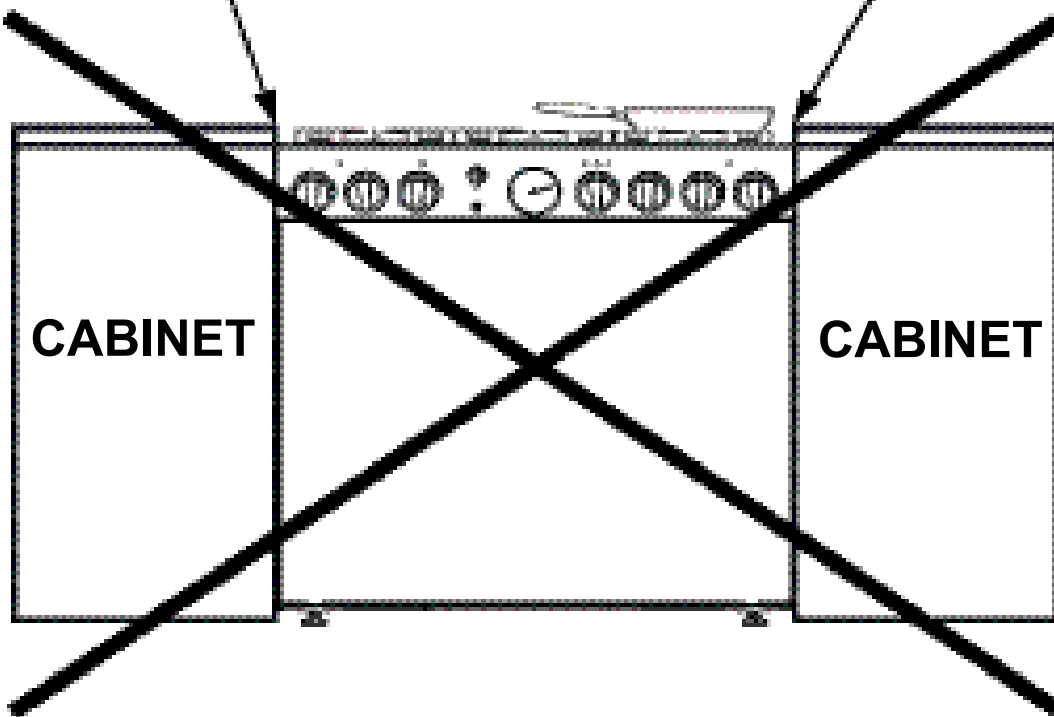
### WARNING:

To avoid risk of injury, never operate griddle without the griddle plate installed. Never use griddle in a manner that is not prescribed by the Use and Care Manual.

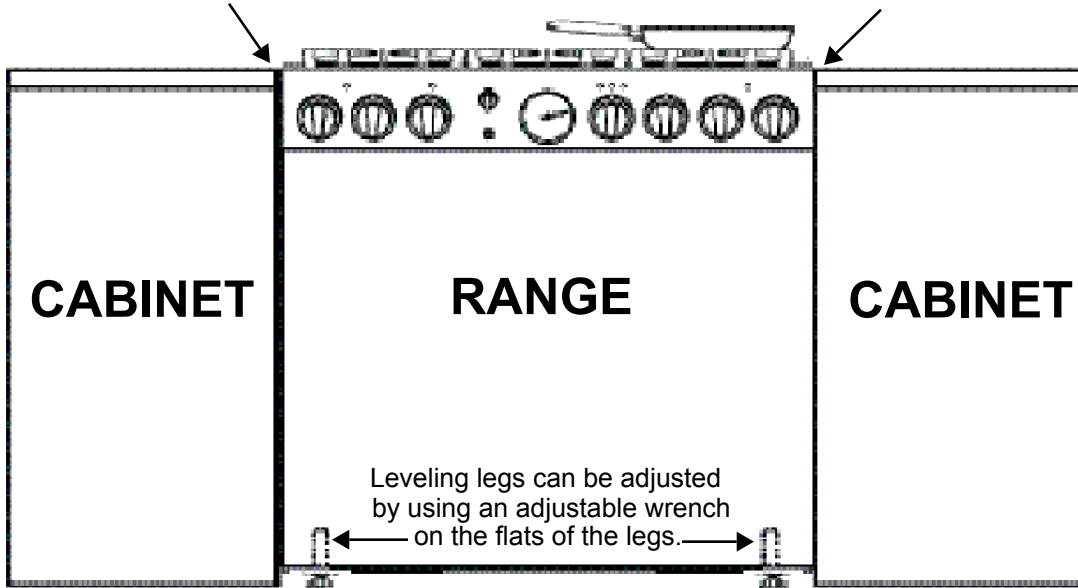
The griddle plate must always be in place when the griddle is turned on.



**CAUTION!** DO NOT operate range if sides are lower than the adjacent cabinet. This may damage the cabinet and countertop due to excessive temperatures.



**CORRECT!** Leveling legs should be adjusted so that the range sides are at the same or higher level as the adjacent cabinet.



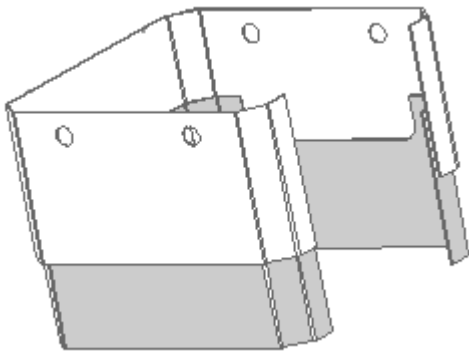
**Note:** It is assumed that the countertop adjacent to the range has been properly leveled.

**Figure 29:** Adjusting the Height of the Range

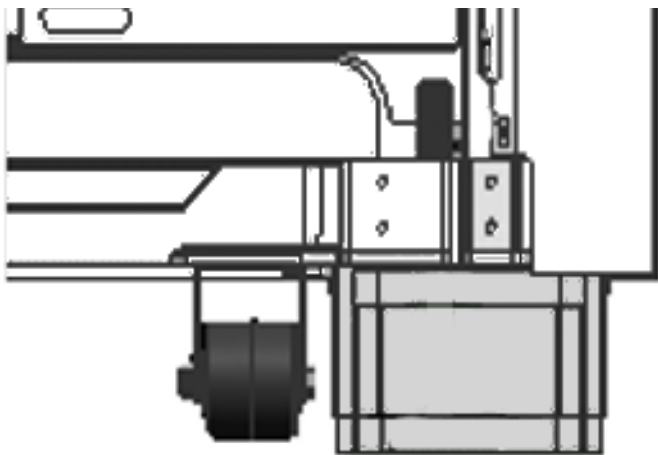
## Installing the Leg Covers

1. Remove plastic coverings of the stainless steel 'sleeves'.
2. Place the smaller 'sleeve', with cutouts facing up, inside the larger sleeve with the openings of both stacked and facing the back (*Figure 30*).
3. Beneath the range, wrap the mated pieces around the leg.
4. Slide the outer sleeve up while the inner piece remains on the floor. The mating part has dimples (that you cannot see) for which the holes of the larger sleeve should seize. You should feel a definitive click, letting you know that the apparatus has been mounted to the unit (*Figure 31*).
5. Repeat for all visible legs.

After the range is properly leveled and the leg covers have been installed, replace the Door Trim and reinstall the Oven Door(s) ("*Step 4: Door Removal and Reinstallation*" on page 10 for door re-installation).



**Figure 30:** Leg Covers



**Figure 31:** Leg Covers Installed

## Toe Kick Panel (optional)

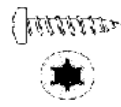
(PA [36,48] JTKG)

### Toe Kick Parts Included

(1) Toe Kick panel



(4) T-20 Torx drill point screws



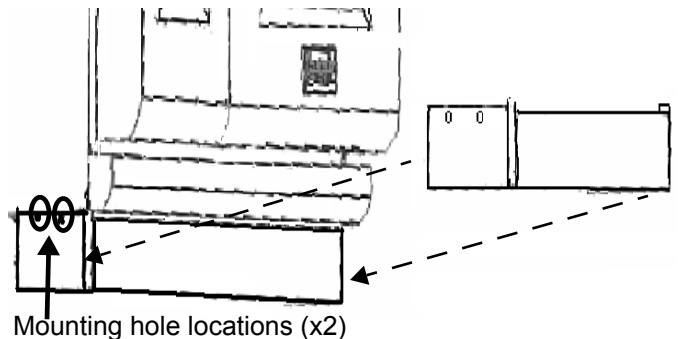
(1) Installation Guide

### Tools Needed

T-20 Torx head screwdriver or drill

Protective Work Gloves

1. Remove the leg covers by sliding the top, outer sleeve of the leg covers off the extruded dimples of the cast aluminum base (see *Figure 30*).
2. Remove protective plastic covering from the Toe Kick Panel.
3. Beneath the range, with the holes and flange facing up, wrap the Toe Kick Panel around the cast aluminum base.
4. The mating part has extruded dimples on both sides for which the holes of the Toe Kick Panel should seize. You should feel a definitive snap, letting you know that the part has been installed.
5. Mount the Toe Kick Panel on both sides of the unit into the extruded dimples using the (4) T-20 Torx drill point screws provided.



**Figure 32:** Toe Kick Panel Installation



## Step 10: Burner Test and Adjustment

Install any loose components, such as burner caps and grates, that may have been removed earlier. Be certain that burner caps seat properly into the burner bases. Before testing operation of the appliance, verify that the unit and the gas supply have been carefully checked for leaks and that the unit has been connected to the electrical power supply. Turn the gas shut-off valve to the open position.

### NOTICE:

All oven knobs and selectors must be set to OFF before powering up the range. To prevent unintended operation at power up, please set all oven knobs to OFF. To ensure customer safety in the event of power failure, the unit will display an error message upon reinstatement of power unless all oven knobs are set to OFF. Set all oven knobs to OFF and reset the breaker to clear the message.

### Test Rangetop Burners

**Test Burner Ignition.** Select a rangetop burner knob. Push down and turn counterclockwise to HI. The ignitor/spark module will produce a clicking sound. Once the air has been purged from the supply lines, the burner should light within (4) seconds.

**Test Flame: High Setting.** Turn burner on to HI. See *Figure 33* for appropriate flame characteristics.

If any of the rangetop burners continue to burn mostly or completely yellow, verify that the burner cap is positioned properly on the burner base, then retest. If flame characteristics do not improve, call THERMADOR®.

**Test Flame: Simmer Setting.** Turn burner on to SIM. Verify that the flame travels completely around the burner. This is known as “carry over.” There should be a flame at each burner port and there should be no air gap between the flame and the burner. If any burners do not “carry over,” call THERMADOR.

Four rangetop burners, (2) on the left side and (2) on the right, feature the XLO® setting that causes the flame to cycle on and off when the knob is set to the XLO range. This is normal operation.

### When Flame is Properly Adjusted:

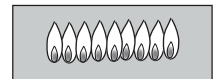
There should be a flame at each burner port. There should be no air gap between the flame and burner port.

Repeat these Ignition and Flame Test procedures for each rangetop burner.

---

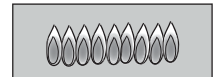
#### Yellow Flames:

Further adjustment is required.



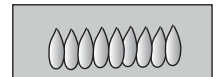
#### Yellow Tips on Outer Cones:

Normal for LP Gas.



#### Soft Blue Flames:

Normal for Natural Gas.



If the flame is completely or mostly yellow, verify that the regulator is set for the correct fuel. After adjustment, retest.

Some orange-colored streaking is normal during the initial start-up.

Allow unit to operate 4-5 minutes and re-evaluate before making adjustments.

---

**Figure 33:** Flame Characteristics

---

# Installer Final Check List

- Specified clearances maintained to cabinet surfaces.
- Unit level and leg covers have been installed.
- Burner caps positioned properly on burner bases.
- All packaging material removed.
- Flush Island Trim or backguard attached according to instructions.
- Door Trim is in place and secure (*Figure 5 on page 9*).
- The griddle plate is correctly positioned, tilted slightly forward, water-test performed.
- Check door alignment and adjust if necessary.

## Gas Supply

- Gas Connection: 3/4" (19mm) N.P.T. with a min. 3/4" (19mm) diameter flex line.
- The appliance is connected only to the type of gas for which it is certified for use.
- Manual gas shut off valve installed in an accessible location (without requiring removal of range).
- Unit tested and free of gas leaks.
- If used on propane gas, verify that the propane gas supply is equipped with its own high pressure regulator in addition to the pressure regulator supplied with the appliance.
- Owner is aware of location of the gas shut-off valve.

## Electrical

- Receptacle with correct over-current protection is provided for service cord connection.
- Proper ground connection.
- Owner is aware of location of the main circuit breaker.

## Operation

- Bezels centered on burner knobs, and knobs turn freely.
- Each burner lights satisfactorily, both individually and with other burners operating.
- Oven door hinges seated and hinge locks in proper position. Oven handle and door is level and centered. Door opens and closes properly.
- Burner grates correctly positioned, level, and do not rock.
- INSTALLER:** Write the model number and serial number found on the Rating Label Plate in the USE AND CARE MANUAL on page 41 (plate is located on the right side of the range between the oven cavity and side panel). Leave USE AND CARE MANUAL and the INSTALLATION MANUAL with the owner of the appliance.

---

# To Clean and Protect Exterior Surfaces

The stainless steel surfaces may be cleaned by wiping with a damp soapy cloth, rinsing with clear water and drying with a soft cloth to avoid water marks. Any mild glass cleaner will remove fingerprints and smears.

For discolorations or deposits that persist, refer to the Use and Care Manual.

To polish and protect the stainless steel, use a cleaner/polish such as Stainless Steel Magic®.

DO NOT allow deposits to remain for long periods of time.

DO NOT use ordinary steel wool or steel brushes. Small bits of steel may adhere to the surface causing rust.

DO NOT allow salt solutions, disinfectants, bleaches or cleaning compounds to remain in contact with stainless steel for extended periods. Many of these compounds contain chemicals which could prove harmful. Rinse with water after exposure and wipe dry with a clean cloth.

Specifications are for planning purposes only. Refer to installation instructions and consult your countertop supplier prior to making counter opening. Consult with a heating and ventilating engineer for your specific ventilation requirements. For the most detailed information, refer to installation instructions accompanying product or write Thermador indicating model number.

We reserve the right to change specifications or design without notice. Some models are certified for use in Canada. THERMADOR® is not responsible for products which are transported from the U.S. for use in Canada. Check with your local Canadian distributor or dealer.

---

# Table des matières

<b>Consignes de sécurité</b> .....	<b>1</b>
<b>Informations importantes concernant l'installation</b> .....	<b>2</b>
Étape 1 : Exigences en matière de ventilation .....	3
Étape 2 : Préparation des armoires .....	4
Étape 3 : Déballage et manutention de la cuisinière .....	8
Étape 4 : Retrait et installation de la porte .....	10
Étape 5 : Installation du dispositif anti-bascule .....	12
Étape 6 : Exigences relatives à l'approvisionnement en gaz .....	14
Étape 7 : Exigences relatives à l'alimentation électrique .....	16
Étape 8 : Installation du dossieret (optionnel) .....	19
Étape 9 : Mise en place et nivelage de la cuisinière .....	25
Étape 10 : Test et réglage des brûleurs .....	28
<b>Liste de vérification à l'intention de l'installateur</b> .....	<b>29</b>
<b>Nettoyage et protection des surfaces externes</b> .....	<b>30</b>

Cet appareil électroménager de THERMADOR<sup>mc</sup> est fait  
par BSH Home Appliances Corporation  
1901 Main Street, Suite 600  
Irvine, CA 92614

## **Des questions?**

1-800-735-4328

[www.thermador.ca](http://www.thermador.ca)

**Nous attendons de vos nouvelles!**

# CONSIGNES DE SÉCURITÉ



## CONSIGNES DE SÉCURITÉ IMPORTANTES

LISEZ ET CONSERVEZ CES INSTRUCTIONS

APPROUVÉ POUR TOUS LES APPAREILS  
RÉSIDENTIELS  
POUR UTILISATION RÉSIDENNELLE SEULEMENT

**IMPORTANT :** Conservez ces instructions pour l'inspecteur de la société gazière de votre localité.

**INSTALLATEUR :** Veuillez laisser ces instructions d'installation avec l'appareil pour le propriétaire.

**PROPRIÉTAIRE :** Veuillez conserver ces instructions pour consultation ultérieure.



### AVERTISSEMENT:



Coupez l'électricité avant d'installer l'appareil. Avant de rétablir l'électricité, assurez-vous que toutes les commandes sont à la position OFF.



### AVERTISSEMENT:

Si les directives du présent manuel ne sont pas respectées scrupuleusement, des incendies ou des décharges électriques pourraient être à l'origine de dommages matériels ou de blessures corporelles, ou même entraîner la mort.

- N'entreposez pas et n'utilisez pas d'essence ou d'autres produits inflammables à proximité de la cuisinière ou de tout autre appareil.
- SI VOUS DÉTECTEZ UNE ODEUR DE GAZ
  - N'allumez aucun appareil.
  - Ne touchez pas aux interrupteurs électriques.
  - N'utilisez pas les téléphones du bâtiment où vous vous trouvez.
  - Appelez immédiatement votre société gazière chez un voisin et suivez les instructions qu'elle vous donne.
  - Si vous n'arrivez pas à contacter votre société gazière, appelez le service d'incendie.
- L'installation et les travaux d'entretien doivent être réalisés par un installateur qualifié, un centre de réparation agréé ou une société gazière.

### IMPORTANT:

Les réglementations locales varient. L'installation, le branchement au gaz et la mise à la terre doivent être conformes à toutes les réglementations en vigueur.



### AVERTISSEMENT:



**Un enfant ou un adulte pourrait faire basculer l'appareil et perdre la vie. Assurez-vous que le dispositif anti-bascule a été convenablement installé et que la patte de l'appareil est retenue par le support lorsque vous remettez la cuisinière en place.**

**Ne faites pas fonctionner l'appareil si le support anti-bascule n'est pas en place.**

La non-observation des instructions du présent manuel peut entraîner la mort ou causer de graves brûlures à des enfants ou des adultes.

Assurez-vous que le support anti-bascule est bien installé et dûment utilisé. Faites doucement basculer la cuisinière vers l'avant en la tirant par l'arrière pour vous assurer que la patte de l'appareil est bel et bien entrée dans le support anti-bascule et que l'appareil ne peut se renverser. La cuisinière ne devrait pas pouvoir bouger de plus d'un pouce (2,5 cm).

### Pour les installations au Massachusetts :

1. L'installation doit être réalisée par un entrepreneur qualifié ou accrédité, un plombier ou un installateur de gaz qualifié ou autorisée par l'État, la province ou la région dans laquelle cet appareil est installé.
2. La vanne d'arrêt de gaz doit être pourvue d'une poignée en « T ».
3. La longueur du tuyau de gaz ne doit pas excéder 36 po (914 mm).

### Note :

Cette cuisinière **N'EST PAS** conçue pour les maisons mobiles préfabriquées ni pour les véhicules récréatifs.

# CONSIGNES D'INSTALLATION IMPORTANTES

## Vérification du type de GAZ

Vérifiez le type de gaz qui alimente l'endroit où vous installez l'appareil. Assurez-vous que l'appareil est branché au type de gaz pour lequel il est certifié. Toutes les cuisinières sont certifiées pour une utilisation au gaz naturel ou au gaz propane (LP). Assurez-vous que la cuisinière correspond au type de gaz disponible. Consultez la section « *Étape 6 : Exigences relatives à l'approvisionnement en gaz et au raccordement* » avant de procéder à l'installation.

Toutes les cuisinières sont certifiées pour une utilisation au gaz naturel. La conversion sur place de l'appareil pour une utilisation au gaz propane requiert l'installation du jeu de conversion fourni avec la cuisinière (numéro de série 553182). Seuls un installateur ou un technicien qualifié devraient procéder à cette conversion. Consultez les instructions du jeu de conversion au propane pour obtenir tous les renseignements nécessaires à une installation complète.



### AVERTISSEMENT:

Pour éviter tout risque de brûlure ou d'incendie, un dossier de protection conçu spécialement pour cette cuisinière doit être installé avant son utilisation.



### ATTENTION:

Lorsque vous branchez l'appareil au gaz propane, assurez-vous que le réservoir de gaz propane est muni de son propre mécanisme régulateur à haute pression en plus du régulateur à haute pression fourni avec l'appareil. La pression de gaz maximale de cet appareil ne devrait pas excéder 14,0 pouces (34,9 mb) de colonne d'eau entre le réservoir de propane et le régulateur à haute pression.



### ATTENTION:

Cet appareil est conçu pour une utilisation culinaire. Pour des raisons de sécurité, ne l'utilisez jamais pour chauffer une pièce.

**N'installez PAS cet appareil à l'extérieur.**

### IMPORTANT:

Lors d'une installation contre une surface combustible, vous devez utiliser une étagère haute ou un dossier bas. Vous pouvez vous acheter séparément ces articles THERMADOR<sup>mc</sup>.

Lors de l'utilisation de la garniture d'îlot THERMADOR, il faut un espace minimal de 12 po (305 mm) entre la partie arrière de l'appareil et la surface combustible (voir *Figure 1 à la page 5*). Les espaces libres jusqu'aux surfaces non combustibles ne sont pas précisés dans la norme ANSI Z21.1 et ne sont pas certifiés par la CSA. Tout espace libre de moins de 12 po (305 mm) doit être approuvé par les normes locales ou l'autorité locale ayant compétence.

Consultez les « Numéros de modèle des dossierets » pour connaître les modèles de dossieret conçus pour cette cuisinière. Une fois le dossieret approprié choisi, la cuisinière doit être installée adéquatement en respectant les espaces libres minimaux pour les surfaces combustibles mentionnés à la section « *Étape 2 : Préparation des armoires* ».

### Approvisionnement en gaz:

**Gaz naturel** — 6 po (14,9 mb) min. à 14 po (34,9 mb) max. de colonne d'eau

**Gaz propane** — 11 po (27,4 mb) min. à 14 po (34,9 mb) max. de colonne d'eau

### Alimentation électrique

Consultez la section « *Étape 7 : Exigences relatives à l'alimentation électrique, au branchement et à la mise à la terre* » pour obtenir des spécifications.

Cet appareil a été testé conformément à la norme américaine ANSI Z21.1 régissant les appareils électroménagers de cuisson au gaz et à la norme canadienne CAN 1.1-M81 régissant les cuisinières à gaz ménagères.

Vérifiez code de la construction locale en vigueur pour connaître la bonne méthode d'installation de l'appareil. L'installation, le branchement électrique et la mise à la terre doivent respecter toutes les réglementations en vigueur. Les réglementations locales varient et il est de la responsabilité de l'installateur de s'assurer de la conformité de l'installation avec ces réglementations. S'il n'y a pas de réglementations locales, l'appareil doit être installé conformément au code national américain actuel sur les gaz combustibles ANSI Z223.1/ NFPA 54 et au code national américain actuel de l'électricité ANSI/NFPA No 70. Au Canada, l'installation doit être conforme aux normes canadiennes CAN 1-B149.1 et CAN 1-B149.2 pour

l'installation d'appareils fonctionnant au gaz, et/ou aux réglementations locales en vigueur.

Cet appareil est conforme à une ou à plusieurs des normes suivantes :

- UL 858 – norme visant la sécurité en matière de cuisinières électriques domestiques
- UL 923 – norme visant la sécurité en matière d'appareil de cuisson par micro-ondes
- UL 507 – norme visant la sécurité en matière de ventilateurs électriques
- ANSI Z21.1 – norme américaine régissant les appareils électroménagers de cuisson au gaz
- CAN/CSA-C22.2 No 113-10 – ventilateurs
- CAN/CSA-C22.2 No 61-08 – cuisinières domestiques

Il est de la responsabilité du propriétaire et de l'installateur de déterminer les exigences ou les normes supplémentaires pouvant s'appliquer à des installations particulières.

Il est fortement recommandé d'installer une hotte de ventilation adaptée au-dessus de cet appareil (voir « *Étape 1 : Exigences en matière de ventilation* »). Puisque cet appareil peut dégager une forte chaleur, une attention particulière doit être portée aux travaux d'installation des conduits et de la hotte, lesquels doivent être conformes au code de construction local.

Outils requis	
(2) clés de ½ po	Mèche de 1/8 po (3,17 mm)
Mèche de 3/16 po (4,76 mm)	Clé ajustable de 12 po
Perceuse à main ou électrique	Ruban à mesurer
Tournevis plat et tournevis Phillips	Instrument de marquage
Niveau	Plate-forme à roulettes
Tournevis Torx T-20	Gants de protection
Articles non inclus	
Vis d'ancrage pour cloison sèche et béton	Composé/ruban pour tuyau
Corde/ficelle	Tuyau souple de ¾ po (19 mm)
Bride de cordon	

## Étape 1 : Exigences en matière de ventilation

Il est fortement recommandé d'installer une hotte de ventilation appropriée au-dessus de la cuisinière. Une ventilation par aspiration descendante ne devrait pas être utilisée. Le tableau ci-dessous énumère les hottes et les directives qu'il est conseillé d'utiliser avec les cuisinières THERMADOR<sup>mc</sup> en matière de puissance de ventilation.

N'installez pas un combiné hotte/four à micro-ondes au-dessus de la cuisinière. Ces appareils ne fournissent pas une ventilation appropriée et ne sont pas conçus pour être utilisés avec une cuisinière.

### AVIS :

La plupart des hottes contiennent des matériaux combustibles qui doivent être pris en considération lors de la planification de l'installation.

### IMPORTANT :

Les hottes et les ventilateurs sont conçus pour être utilisés avec un seul conduit mural. Cependant, certains inspecteurs ou codes du bâtiment exigent l'utilisation d'un conduit double. Consultez le code de la construction en vigueur ou des organismes locaux avant d'entreprendre les travaux pour vous assurer que l'installation de la hotte et des conduits répond aux exigences locales.

#### 1. Choix des modèles de hotte et de ventilateur :

- Pour les installations murales, la largeur de la hotte doit être au moins égale à celle de la cuisinière. Si l'espace le permet, il est souhaitable d'installer une hotte plus large que la table de cuisson pour assurer une meilleure ventilation.
- Pour les installations en îlot, la largeur de la hotte devrait excéder celle de la cuisinière d'au moins 3 po (76 mm) de chaque côté.

#### 2. Emplacement de la hotte :

- Pour une évacuation accrue de la fumée, la bordure inférieure de la hotte doit se trouver à 30 po (762 mm) au-dessus de la table de cuisson. Utilisez un espace libre d'au moins 36 po (914 mm) si des éléments combustibles, comme des panneaux en bois, se trouvent dans la hotte (*Figure 1*).

#### 3. Air d'appoint :

- Compte tenu de l'important volume d'air requis, il est recommandé de prévoir un apport d'air de l'extérieur. Cet aspect revêt une importance particulière pour les maisons bien isolées et très étanches.
- Il est recommandé de consulter un spécialiste qualifié en chauffage et en ventilation.



Largeur de la cuisinière	Configuration de la surface de cuisson	Pied cube par minute (exigence minimale)	Options de ventilation
36 po	4 brûleurs avec une plaque chauffante	800 pi <sup>3</sup> /min.	Hotte Pro Wall de 36 ou 42 po Garniture sur mesure de 36 po avec ventilateur optionnel
	6 brûleurs	1100 pi <sup>3</sup> /min.	Hotte d'îlot de 42 ou 48 po avec ventilateur optionnel
48 po	6 brûleurs avec une plaque chauffante	1200 pi <sup>3</sup> /min.	Hotte Pro Wall de 48 ou 54 po Garniture sur mesure de 48 po avec ventilateur optionnel

Remarques importantes :

Il est recommandé d'utiliser une hotte murale ou une hotte îlot, ou une garniture sur mesure THERMADOR PROFESSIONAL<sup>®</sup> avec les cuisinières THERMADOR PROFESSIONAL consultez le [www.thermador.com](http://www.thermador.com) pour une gamme complète d'options de ventilation, de souffleries et d'accessoires Professional.

\* Pour les cuisinières à gaz à rendement élevé (60 000 BTU ou plus), une ventilation minimale de 1 pi<sup>3</sup>/ min. par 100 BTU est recommandée. Si la cuisinière est dotée d'une plaque chauffante, ajouter 200 pi<sup>3</sup>/ min. à la capacité de soufflerie estimée. Une plus grande capacité de soufflerie peut être requise pour les conduits plus longs.

Pour les installations en îlot, il est recommandé d'utiliser une hotte dont la largeur excède de 6 po (152 mm) celle de la cuisinière, soit 3 po (76 mm) de chaque côté.

pi<sup>3</sup>/ min. = pied cube par minute (cote standard pour la capacité d'un ventilateur).

## Étape 2 : Préparation des armoires

- La cuisinière est un appareil monobloc. Si l'appareil est installé entre deux armoires, les espaces libres indiqués à la « *Figure 1 : Espace libre – Armoires* » sont requis. Les mêmes espaces libres s'appliquent aux installations en îlot, sauf pour les armoires suspendues, où il doit y avoir suffisamment d'espace pour une hotte de style îlot avec un rebord (également illustré sur la *Figure 1*).
- Les entrées d'électricité et de gaz doivent se trouver dans les zones indiquées à la *Figure 3*.
- Toute ouverture dans le mur derrière l'appareil ou dans le plancher sous l'appareil doit être scellée.
- Lors d'une installation contre une surface combustible, vous devez utiliser une étagère haute ou un dossierer bas. Vous pouvez vous acheter séparément ces articles THERMADOR<sup>mc</sup>.
- Lors de l'utilisation de la garniture d'îlot THERMADOR, il faut un espace minimal de 12 po (305 mm) entre la partie arrière de l'appareil et la surface combustible. Les espaces libres jusqu'aux surfaces non combustibles ne sont pas précisés dans la norme ANSI Z21.1 et ne sont pas certifiés par la CSA. Tout espace libre de moins de 12 po (305 mm) doit être approuvé par les normes locales ou l'autorité locale ayant compétence.
- Lorsque la cuisinière est installée contre un mur combustible, un espace libre d'au moins 5 po (127 mm) est requis entre le côté de la cuisinière et le mur.

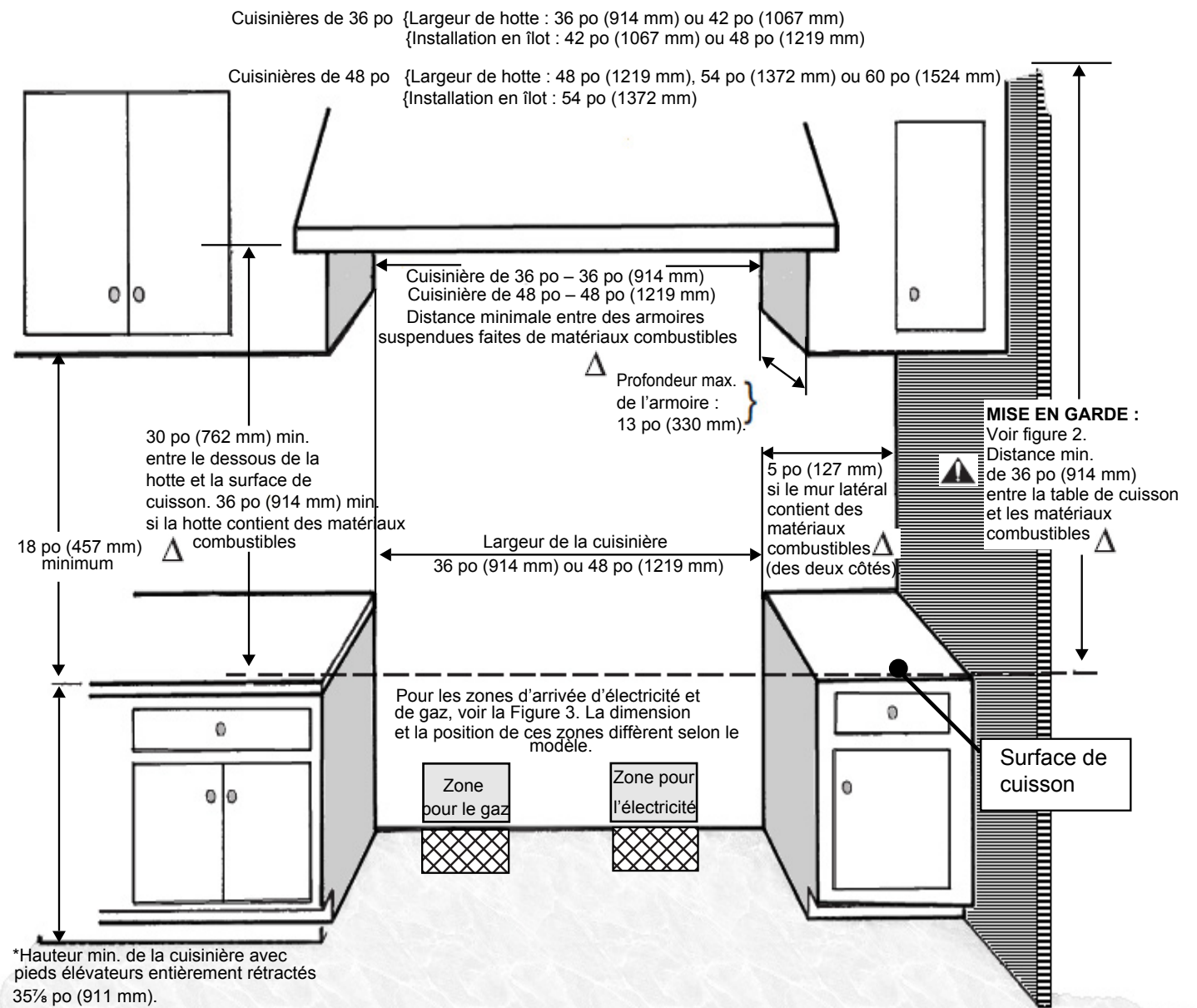
- L'appareil ne doit jamais se trouver à proximité de matériaux combustibles, d'essence et d'autres produits inflammables sous forme de gaz ou de liquide.
- N'obstruez pas le débit d'air de combustion et de ventilation de l'appareil.
- La profondeur maximale des armoires, installées d'un côté ou de l'autre au-dessus de la hotte, devrait être de 13 po (330 mm).

Un espace libre minimal de 36 po (914 mm) est nécessaire entre la surface de cuisson et le dessous de toute armoire non protégée. Un espace libre de 30 po (762 mm) peut être utilisé lorsque la partie inférieure d'une armoire en bois ou en métal est protégée par un matériau ignifuge d'une épaisseur minimale de ¼ po (6,35 mm) revêtu d'une feuille d'acier no 28 MSG, d'acier inoxydable de 0,015 po (0,38 mm), d'aluminium de 0,024 po (0,61 mm) ou de cuivre de 0,020 po (0,51 mm).

Les matériaux ignifuges portent la marque suivante : UNDERWRITERS LABORATORIES INC. CLASSIFIED MINERAL AND FIBER BOARDS SURFACE BURNING CHARACTERISTICS (caractéristiques relatives à l'inflammabilité de panneaux de fibres et de minéraux classés)

Cette indication est suivie par des indices de propagation de flamme et de fumée. Ces désignations sont indiquées par le sigle « FHC » (Flame Spread/Smoke Developed – Propagation de la flamme/Production de fumée). Les matériaux ayant un indice de propagation de flamme de 0 sont ignifuges. La réglementation locale peut autoriser un indice de propagation de flamme différent. Il est de la responsabilité de l'installateur de veiller à ce que l'installation se fasse conformément à ces indices.

## Espaces libres pour l'installation



⚠ Comme défini dans le « Code national du gaz combustible » ANSI Z223.1 – édition actuelle. Les espaces libres jusqu'aux surfaces non combustibles ne sont pas précisés dans la norme ANSI Z21.1 et ne sont pas certifiés par la CSA. Tout espace libre de moins de 12 po (305 mm) doit être approuvé par les normes locales ou l'autorité locale ayant compétence.

\* La hauteur de la cuisinière est réglable. Le dessus de la cuisinière doit être au même niveau que le comptoir ou à une hauteur plus élevée.

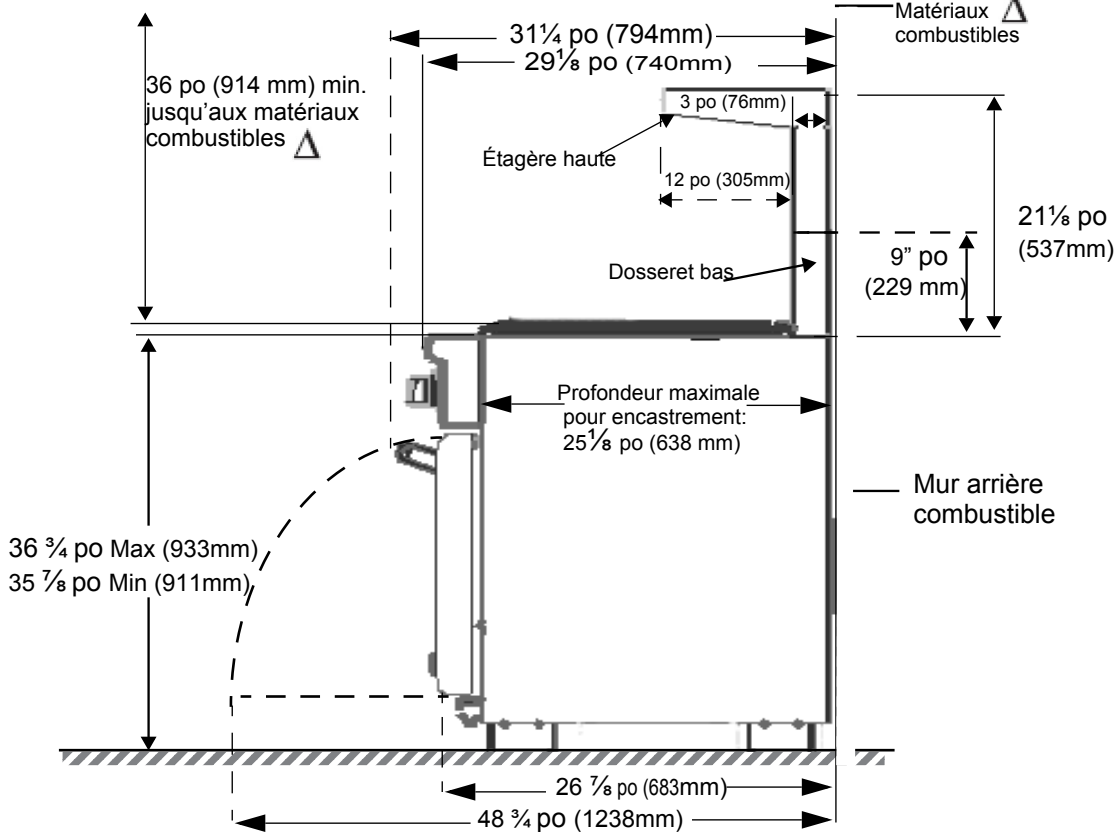
Figure 1: Espace libre – Armoires



### ATTENTION:

N'installez pas la cuisinière de façon à ce que la porte du four soit parfaitement alignée avec le devant des armoires adjacentes, car les températures élevées du four pourraient endommager les armoires.

### Installation avec dossieret bas ou étagère haute



$\Delta$  Comme défini dans le « Code national du gaz combustible » ANSI Z223.1 – édition actuelle. Les espaces libres jusqu'aux surfaces non combustibles ne sont pas précisés dans la norme ANSI Z21.1 et ne sont pas certifiés par la CSA. Tout espace libre de moins de 12 po (305 mm) doit être approuvé par les normes locales ou l'autorité locale ayant compétence.

### Installation avec garniture d'îlot incluse

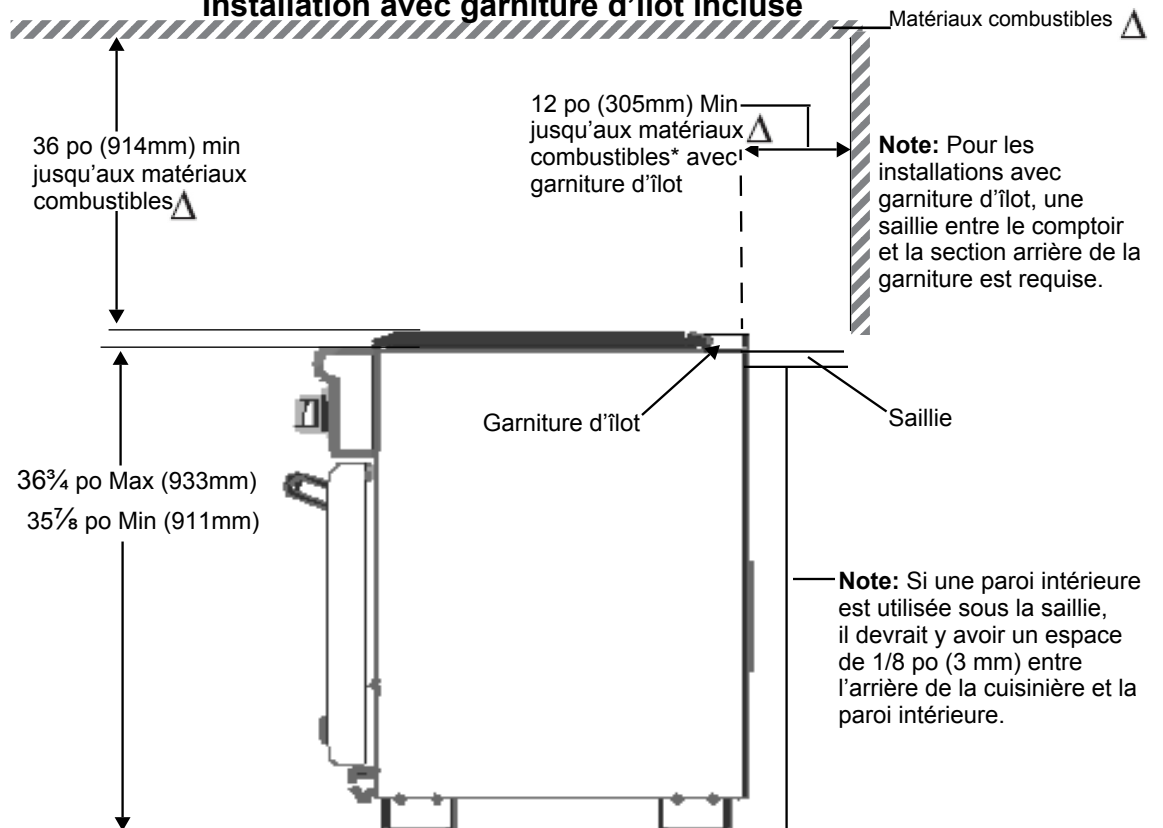


Figure 2: Vue latérale des espaces libres

## ZONES D'APPROVISIONNEMENT EN GAZ ET D'ALIMENTATION EN ÉLECTRICITÉ :

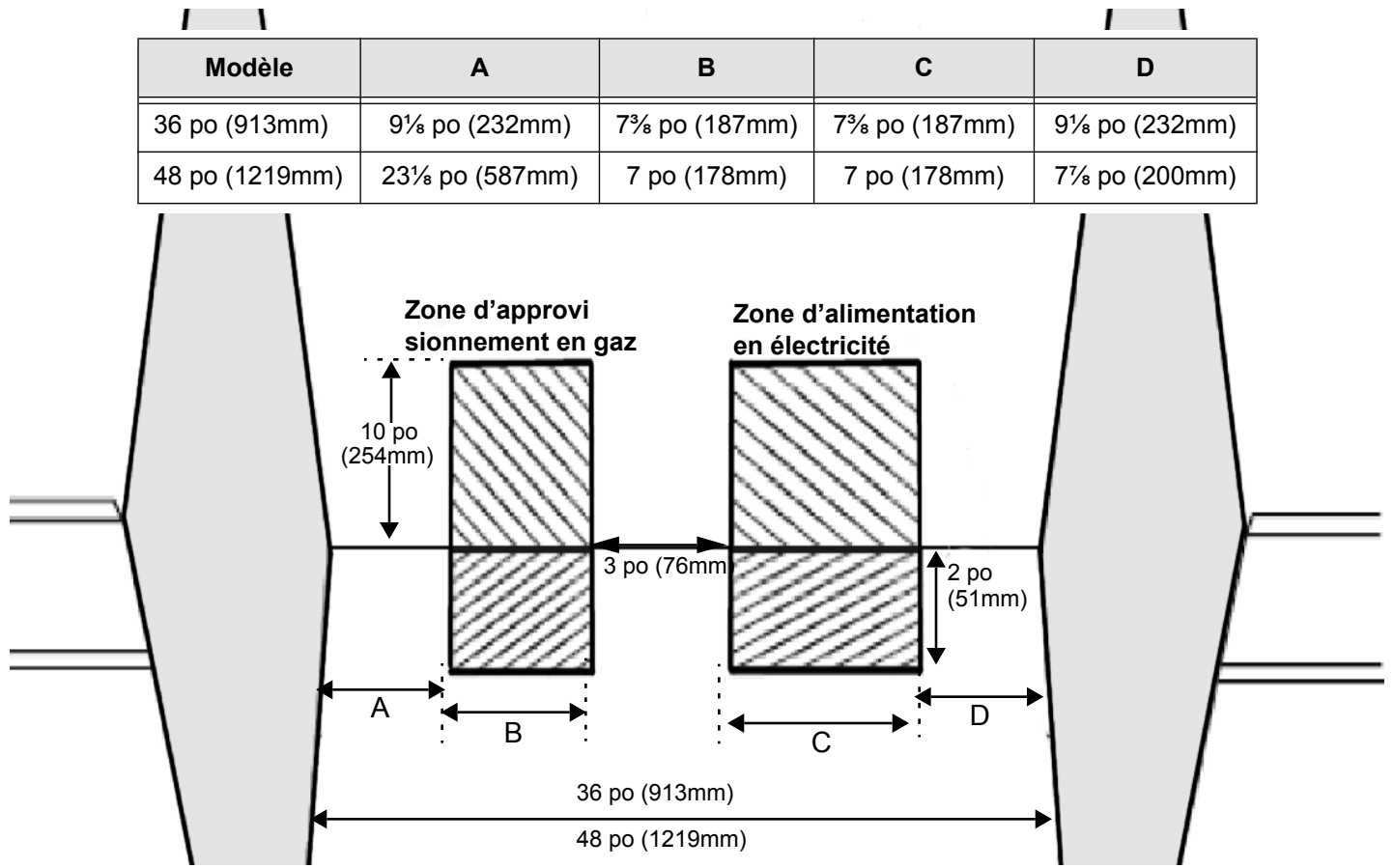


Figure 3: Emplacement des zones d'approvisionnement en gaz et d'alimentation en électricité

### NOTE :

- S'il n'y en a pas déjà une en place, installez une vanne manuelle d'arrêt de gaz à un endroit facile d'accès.
- Assurez-vous d'indiquer à tous les utilisateurs où se trouve l'approvisionnement en gaz de la cuisinière et de leur montrer comment la fermer.
- Toute ouverture dans le mur derrière l'appareil ou dans le plancher sous l'appareil doit être scellée.

La cuisinière à gaz peut être branchée à l'alimentation électrique avec le cordon d'alimentation (fourni avec la cuisinière) ou par un câblage fixe. Il est de la responsabilité de l'installateur de fournir les éléments de câblage électrique appropriés (cordon ou conduit et fils) et de procéder au raccordement au gaz conformément aux règlements et codes locaux ou au code national de l'électricité. L'appareil doit être mis à la terre adéquatement. Voir « *Étape 7 : Exigences relatives à l'alimentation électrique, au branchement et à la mise à la terre* ».

La cuisinière doit être raccordée uniquement au type de gaz pour lequel elle est certifiée. Si la cuisinière doit être approvisionnée en gaz propane, assurez-vous que le réservoir de propane est muni de son propre mécanisme régulateur à haute pression en plus du régulateur à haute pression de l'appareil (voir « *Étape 6 : Exigences relatives à l'approvisionnement en gaz et au raccordement* »).

### NOTE :

La cuisinière est conçue pour être presque parfaitement alignée avec le mur arrière. Pour une installation réussie, il peut être nécessaire de repositionner le tuyau d'approvisionnement en gaz et le cordon électrique lorsque la cuisinière est poussée à son emplacement définitif.

- **SUGGESTION:** Pour y arriver, nous vous suggérons de passer une corde ou une ficelle autour du tuyau ou du cordon électrique et de tirer au moment de pousser la cuisinière à son emplacement définitif.

## Alimentation électrique

L'installation de la cuisinière doit être planifiée de façon à ce que la plaque de la boîte de connexion pour la prise ou le raccord de conduit laisse un maximum d'espace libre derrière l'appareil.

Lorsque le câble d'alimentation électrique ou le conduit de câbles est branché à une prise ou à un bloc de jonction, la connexion combinée ne devrait pas dépasser de plus de deux pouces (51 mm) du mur arrière (voir *Figure 4*).

Consultez la *Figure 15* pour connaître l'emplacement du bloc de jonction dans l'appareil. Pour éviter tout coincement lorsque l'appareil est branché à la prise ou à la boîte de connexion, orientez convenablement la prise ou le raccord de conduit et faites-les glisser en place.

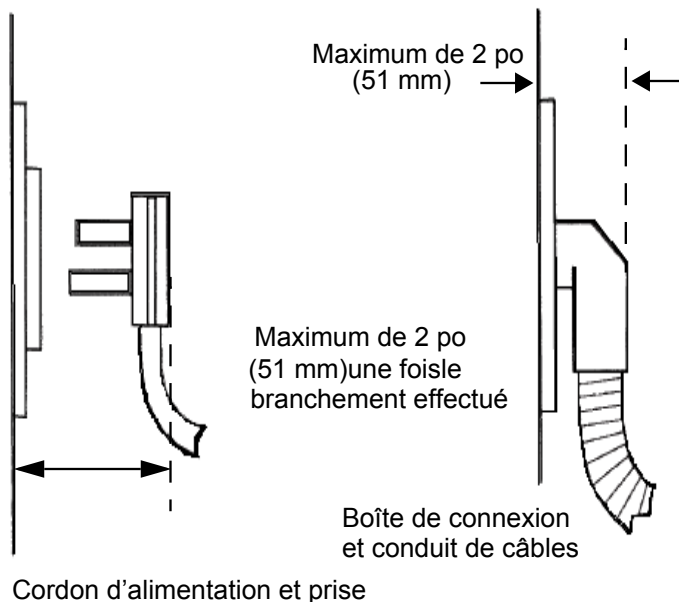


Figure 4: Connexion murale

## Étape 3 : Déballage et manutention de la cuisinière



### ATTENTION:



La cuisinière est lourde et devrait être manipulée en conséquence. Pour éviter tout risque de blessure ou de dommages à l'appareil ou au plancher, la cuisinière devrait être déplacée par au moins deux personnes utilisant de l'équipement adéquat, comme des gants de protection, et ne portant pas des bagues, des montres ou tout autre objet semblable pouvant endommager l'appareil ou s'y accrocher.

Les surfaces cachées de l'appareil peuvent comporter des saillies coupantes. Faites attention lorsque vous prenez l'appareil par le dessous ou que vous le tirez.



### ATTENTION:



N'utilisez pas un charriot manuel ou à électroménager à l'avant ou à l'arrière de l'appareil. Manipulez-le seulement sur les côtés.

Le poids approximatif de la cuisinière à l'expédition est indiqué au Tableau A. Pour faciliter la manutention de l'appareil, enlevez les grilles, la plaque chauffante, les chapeaux des brûleurs et les grilles du four. N'enlevez pas l'élément de la plaque chauffante ni l'assemblage du plateau.



Enlevez tout le matériel d'emballage et le ruban adhésif avant d'utiliser l'appareil. Veuillez recycler le matériel d'emballage, car tout ce que THERMADOR<sup>mc</sup> utilise pour emballer ses appareils est recyclable. Ne laissez jamais des enfants jouer avec le matériel d'emballage.

1. Retirez le carton et le matériel d'emballage de l'appareil sur la palette, mais laissez la mousse adhésive qui recouvre les surfaces de métal brossé afin de protéger le fini contre les égratignures jusqu'à ce que la cuisinière soit installée à son emplacement définitif.
2. Enlevez la ou les portes (voir la section « *Étape 4 : Retrait et installation de la porte* »). Cela réduira considérablement le poids de l'appareil, comme le démontre le « Tableau A », et permettra à la cuisinière de passer dans des cadres de porte de 30 po (762 mm) (voir les espaces libres mentionnés).

Tableau A	Cuisinière de 36 po	Cuisinière de 48 po
Poids à l'expédition	420 lbs (191 kg)	590 lbs (268 kg)
Poids sans matériel d'emballage	360 lbs (163 kg)	530 lbs (240 kg)
Poids sans porte, chapeaux de brûleurs et grilles de four	260 lbs (118 kg)	390 lbs (177 kg)



### ATTENTION:

NE soulevez PAS la cuisinière par la poignée du four. Vous pourriez endommager les charnières et faire en sorte que la porte s'ajuste mal à l'ouverture.

3. Toutes les cuisinières sont fixées à une palette à travers un bloc de bois central à l'aide de quatre (4) boulons (Figure 5). Les deux boulons frontaux de la palette ne sont accessibles que lorsque la garniture de porte, située sous la porte, a été enlevée.
  - Pour enlever la garniture de la porte, desserrez les deux vis qui la retiennent à la cuisinière, puis faites-la glisser vers le haut.

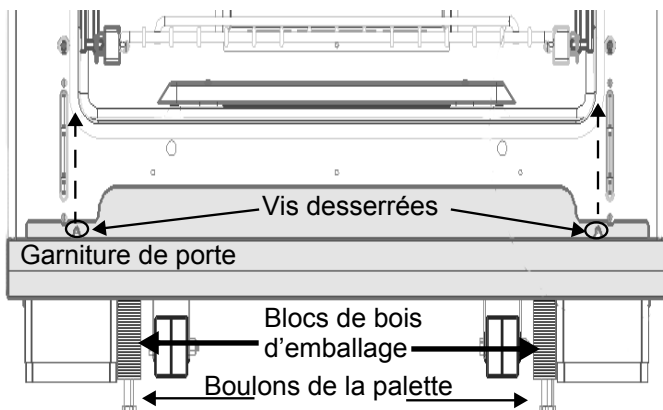


Figure 5: Door Trim, packing Blocks, & Pallet Bolts

4. Après avoir retiré les boulons de la palette avec deux clés de ½ po (13 mm) – une pour tenir le boulon de la base, l'autre pour dévisser le boulon du dessus – et vous être débarrassé des blocs de bois d'emballage, vous pouvez doucement appuyer la cuisinière sur ses deux roulettes pour la retirer de la palette. S'il le faut, demandez à une personne de vous aider à enlever la palette.

- **Modèles PRDS48JDSGU/C :** Pour avoir accès au boulon de la palette situé derrière le tiroir chauffant, atteignez le boulon situé en haut et derrière la structure de l'appareil et tenez-le en place à l'aide d'une clé de ½ po (voir Figure 6). Utilisez une deuxième clé pour desserrer le boulon situé en bas. N'enlevez **PAS** le tiroir chauffant.

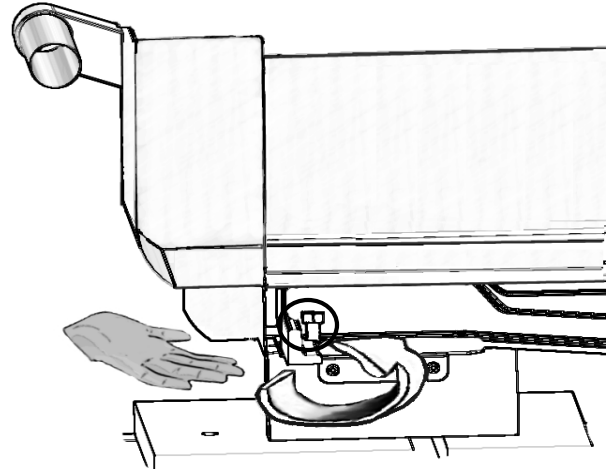


Figure 6: Retirez le boulon de palette

- En raison du poids de la cuisinière, il vaut mieux la déplacer à l'aide d'une plate-forme à roulettes souples ou d'un appareil de levage. Le poids doit être uniformément réparti sur la plate-forme (voir Figure 7).
5. Après avoir transporté la cuisinière sur la plate-forme près de son emplacement définitif, inclinez-la pour qu'elle repose sur les roulettes arrière, puis retirez la plate-forme.

La cuisinière doit s'appuyer uniformément sur les lattes fournies à la base de l'appareil.

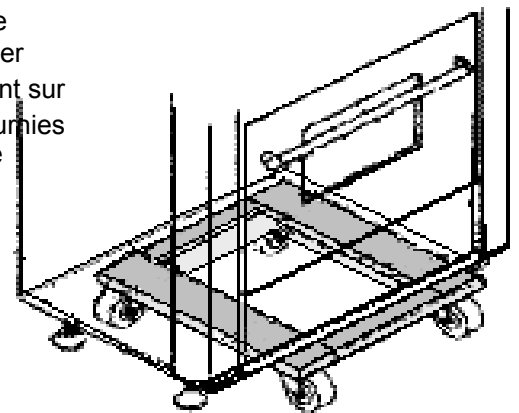


Figure 7: Positionnement De La Plate-forme À Roulettes



- Suivez les instructions des sections « *Étape 5 : Installation du dispositif anti-bascule* », « *Étape 6 : Exigences relatives à l’approvisionnement en gaz et au raccordement* », « *Étape 7 : Exigences relatives à l’alimentation électrique, au branchement et à la mise à la terre* » et « *Étape 8 : Installation du dossieret (optionnel)* » avant de mettre la cuisinière à son emplacement final.
6. Utilisez les roulettes pour installer l’appareil près de son emplacement final. **PROTÉGEZ LE PLANCHER SOUS LES PIEDS AVANT DE METTRE LA CUISINIÈRE EN PLACE.**

## Étape 4 : Retrait et installation de la porte



### MISE EN GARDE:

- FAITES ATTENTION LORSQUE VOUS ENLEVEZ LA PORTE. ELLE EST TRÈS LOURDE.
- Pour éviter tout risque de brûlure ou de décharge électrique, assurez-vous que le four est froid et que l’alimentation électrique est coupée avant d’enlever la porte du four.
- La porte est lourde et fragile. Utilisez vos deux mains pour l’enlever ou la remettre en place.
- Si vous ne saisissez pas la porte fermement et adéquatement, vous pourriez endommager l’appareil ou vous blesser.
- Lorsque la porte est enlevée, ne lâchez jamais la poignée pour essayer de fermer les charnières. Sans le poids de la porte, les puissants ressorts des charnières se refermeront avec beaucoup de force.

### Retrait de la porte:

1. Ouvrez complètement la porte et utilisez un tournevis pour faire sortir les griffes à charnières des fentes (Photo A).
2. Basculez les griffes vers le bas (voir Photo B).
3. Fermez la porte jusqu’à ce qu’elle bute contre les griffes à charnières, qui maintiennent la porte entrouverte.
4. Prenez la porte par les extrémités de la poignée et soulevez-la (les ressorts offriront une certaine résistance). Lorsque le devant de la porte sera suffisamment élevé pour que les crochets se dégagent des charnières, vous pourrez la retirer de l’appareil (Photo C). Placez la porte dans un endroit sûr et stable.

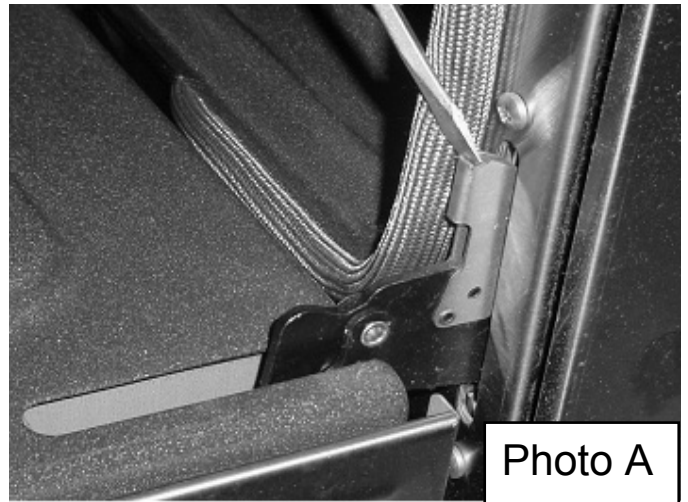


Photo A



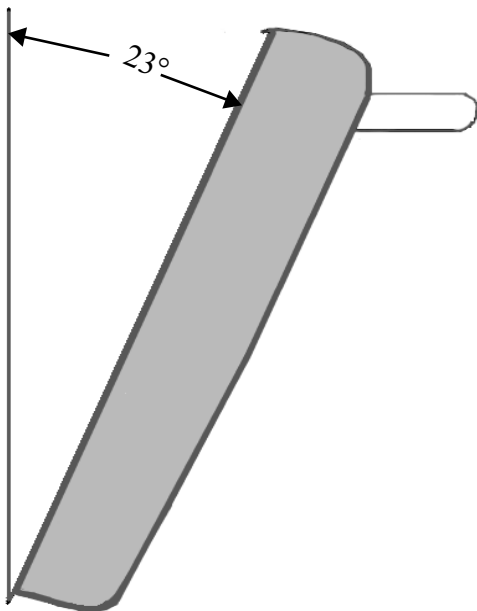
Photo B



Photo C

## Réinstallation de la porte:

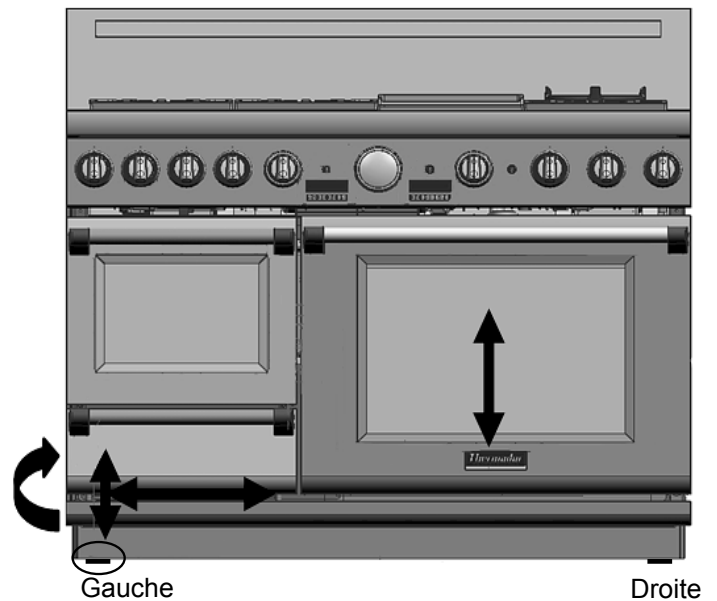
1. Inclinez légèrement la porte (*Figure 8*) et insérez les charnières dans les fentes. Les charnières s'amarreront solidement dans les fentes si la porte est placée correctement. Ne forcez pas la porte et ne l'inclinez pas sur les côtés.
  - Truc : Faites reposer la porte sur votre pied et utilisez votre jambe pour la stabiliser.
2. Ouvrez complètement la porte et utilisez un tournevis pour pousser les griffes à charnières jusqu'au fond des fentes (vers le four). Faites attention de ne pas égratigner la cuisinière durant ce processus.



**Figure 8: Angle Approximatif Nécessaire Pour Retirer La Porte**

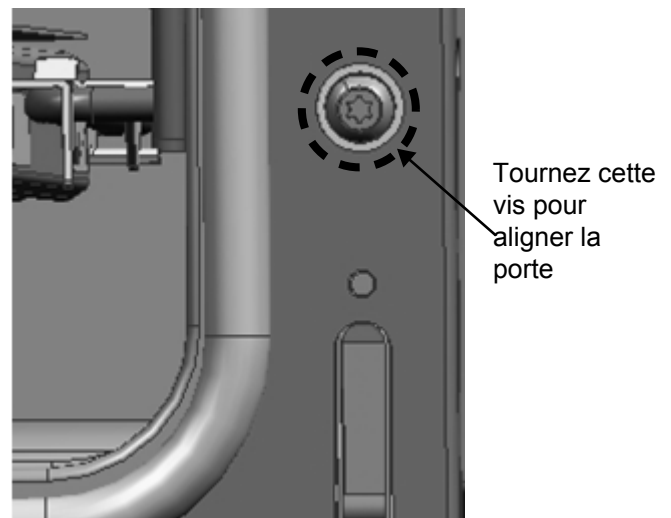
## Vérification de l'installation et du fonctionnement de la porte :

1. Ouvrez et fermez la porte lentement pour vous assurer qu'elle bouge normalement et qu'elle s'adapte bien à la cavité du four. Ne forcez pas pour l'ouvrir ou la fermer. Si la porte est bien installée, elle devrait être facile à ouvrir et être alignée avec le devant du four lorsqu'elle est en position fermée.
2. Si la porte ne fonctionne pas correctement, assurez-vous que les charnières sont bien appuyées dans les fentes et que les griffes à charnières sont bien installées au fond des fentes.



**Figure 9: Alignement des portes des modèles de 48 po**

3. Si la porte ou la poignée semble légèrement inclinée d'un côté ou de l'autre, vous pouvez ajuster l'inclinaison en vissant ou dévissant à l'aide d'un grand tournevis Torx T-20 la vis Torx de la charnière, située directement au-dessus de la fente de la charnière. Tournez la vis jusqu'à ce que la porte soit correctement alignée (*Figure 10*).



**Figure 10: Vis d'ajustement des charnières**

## Réglage des pieds élévateurs

La cuisinière doit être de niveau pour que les portes du four soient adéquatement alignées. Tous les modèles ont quatre (4) pieds élévateurs, un sous chaque coin. Les pieds sont insérés dans la structure de base en aluminium.

- En faisant tourner le pied élévateur avant droit dans le sens horaire, le côté droit de la porte baissera. En faisant tourner le pied élévateur avant gauche, vous obtiendrez l'effet contraire (consultez également l'étape 9, « Mise en place et nivelage de la cuisinière »).

## Ajustement de l'avant du tiroir chauffant

1. Pour ajuster l'angle d'inclinaison du tiroir chauffant de façon à ce que l'avant soit de niveau avec la face avant de la porte du four à vapeur, desserrez les deux (2) vis sur les deux côtés du tiroir chauffant. Une fois que l'inclinaison est adéquate, serrez les vis.
2. Pour ajuster verticalement et horizontalement les portes afin de vous assurer que les espaces sont les mêmes entre chacune d'elles, desserrez les quatre (4) vis situées sur les côtés de la porte du tiroir chauffant. Ajustez la hauteur de la porte du tiroir chauffant de façon à ce que la ligne inférieure soit à la même hauteur que le rebord inférieur de la porte principale du four à vapeur. Ajustez latéralement la porte du tiroir chauffant de façon à ce qu'elle soit alignée avec la porte du four à vapeur. Lorsque tous les espaces sont égaux, serrez les vis.

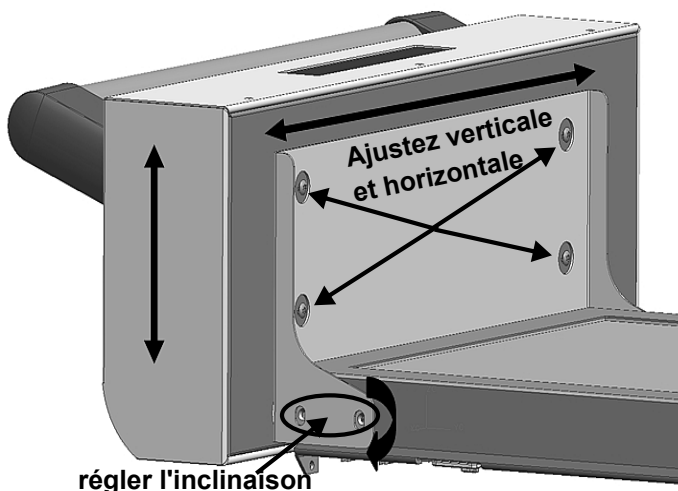


Figure 11: Ajustement de l'avant du tiroir chauffant

**Note :** La porte du four à vapeur n'est pas réglable.

## Étape 5 : Installation du dispositif anti-bascule



### AVERTISSEMENT:

#### DANGER DE BASCULEMENT:

- **Toutes les cuisinières peuvent basculer et causer une blessure.** Pour éviter le basculement accidentel de la cuisinière, fixez-la au sol au moyen du dispositif anti-bascule fourni.
- L'appareil risque de basculer si le dispositif n'est pas installé conformément aux présentes instructions. Pour toutes les cuisinières, un dispositif anti-bascule doit être installé conformément aux présentes instructions.

En déplaçant la cuisinière pour la nettoyer, la réparer ou pour toute autre raison, assurez-vous qu'elle s'est bien enclenchée dans le dispositif anti-bascule lorsque vous la remettez en place. Autrement, si l'appareil est utilisé de façon anormale (par exemple, si quelqu'un monte, s'assoie ou s'appuie sur une porte ouverte), la cuisinière risque de basculer. Le basculement de la cuisinière ou d'un liquide chaud se trouvant sur la surface de cuisson pourrait causer des blessures corporelles.



### AVERTISSEMENT:

#### RISQUE DE DÉCHARGE ÉLECTRIQUE:




- Soyez très prudent lorsque vous percez des trous dans le mur ou le plancher, car des fils électriques peuvent s'y trouver.
- Identifiez les circuits électriques pouvant se trouver à l'endroit où le dispositif anti-bascule sera installé et coupez l'alimentation électrique de ces circuits.
- Si vous ne respectez pas ces instructions, vous pourriez recevoir une décharge électrique ou vous blesser.

#### ATTENTION - DOMMAGES À LA PROPRIÉTÉ:

- Communiquez avec un installateur ou un entrepreneur qualifié pour déterminer la méthode convenable à adopter pour percer des trous dans le revêtement des murs ou du plancher (comme des tuiles de céramique, du bois dur, etc.)
- Ne faites pas glisser la cuisinière sur un plancher non protégé.
- Si vous ne respectez pas ces instructions, vous risquez d'endommager les murs ou le plancher.

## Outils nécessaires à l'installation du dispositif anti-bascule:

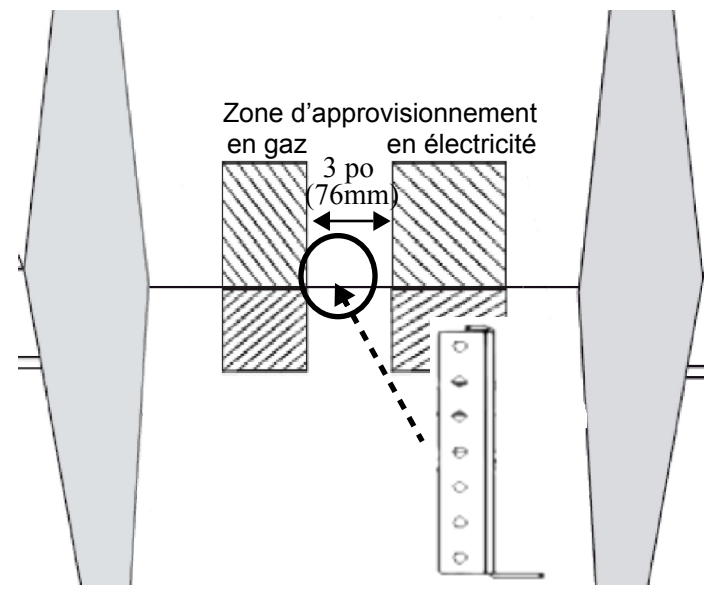
- Tournevis Phillips
- Perceuse électrique ou à main
- Ruban à mesurer ou règle
- Foret de 1/8 po (3,175 mm) (mur ou plancher en bois ou en métal)
- Foret à maçonnerie en métal dur de 3/16 po (4,76 mm) (mur ou plancher en béton ou en blocs de béton)
- Quatre ancrages de 3/16 po (4,76 mm) pour cloison sèche ou béton (non requis si le support est vissé dans du bois dur ou du métal)
- Marteau
- Crayon ou autre marqueur

 <b>AVERTISSEMENT:</b>	
 	<ul style="list-style-type: none"> <li>-- Un enfant ou un adulte pourrait faire basculer l'appareil et perdre la vie.</li> <li>-- Assurez-vous que le dispositif anti-bascule est convenablement installé et que la patte de l'appareil entre dans le support, conformément aux instructions d'installation.</li> <li>-- Assurez-vous que la patte entre dans le support lorsque vous remettez l'appareil en place.</li> <li>-- Ne faites pas fonctionner l'appareil si le support anti-bascule n'est pas installé et qu'il ne retient pas l'appareil.</li> <li>-- La non-observation de ces instructions peut entraîner la mort ou causer de graves brûlures à des enfants ou des adultes.</li> </ul> <p>Consultez les autres instructions d'installation.</p>

No de pièce – THERMADOR	Qtée	Description
415078	4	Vis Phillips no 10 x 1-½ po (38,1 mm)
655322	1	Support anti-bascule, installation au plancher

## Informations importantes concernant l'installation:

- Si le support anti-bascule est fixé à une armoire en bois massif, celle-ci doit être d'une épaisseur minimale de 3/4 po (19 mm).
- Selon l'épaisseur du mur ou du plancher, il se peut que vous ayez à utiliser des vis plus longues, en vente chez votre quincaillier.
- Utilisez des ancrages appropriés lorsque vous fixez le support à une surface autre que du bois dur ou du métal.
- Dans tous les cas, vous devez utiliser au moins deux vis de montage pour fixer le support anti-bascule au plancher, ou deux vis de montage (ou ancrages pour cloison sèche) pour le fixer au mur situé derrière l'appareil (voir *Figure 12* et *Figure 13*).



**Figure 12: Emplacement pour le montage du support anti-bascule**

## Installation du support anti-bascule

1. Préparez les trous pour les fixations comme suit :
  - Pour les murs, les montants de cloison ou les planchers en bois massif ou en métal, percez des trous de guidage de 1/8 po (3,17 mm).
  - Pour les murs ou les planchers en gypse ou tout autre matériau mou, percez des trous de 3/16 po (4,76 mm) à une profondeur minimale de 1-¾ po (44 mm). Enfoncez ensuite les ancrages en plastique dans tous les trous à l'aide d'un marteau.
  - Pour les murs ou les planchers en béton ou en blocs en béton, percez des trous de 3/16 po (4,76 mm) à une profondeur minimale de 1-¾ po (44 mm). Enfoncez ensuite les ancrages à béton dans tous les trous à l'aide d'un marteau.



- Pour les murs ou les planchers revêtus de tuiles de céramique, percez des trous de 3/16 po (4,76 mm) dans les tuiles seulement. Percez ensuite le matériau sous les tuiles comme indiqué ci-dessus.
2. Placez le support sur le plancher près du centre de l'endroit où l'appareil sera installé (illustré sur la Figure 12).
    - Si l'appareil est installé à un nouvel endroit, le dispositif anti-bascule doit y être réinstallé.
  3. Fixez le support dans le montant de cloison ou dans le plancher à l'aide des vis fournies.
  4. Ensuite, lorsque l'appareil est installé, les pattes ajustables permettront à la base moulée de glisser sous le crochet du support et de stabiliser l'appareil.

Lorsque l'appareil est installé à son emplacement définitif, le « crochet » du support anti-bascule s'accroche juste au-dessus de la base moulée en aluminium, située derrière la cuisinière.

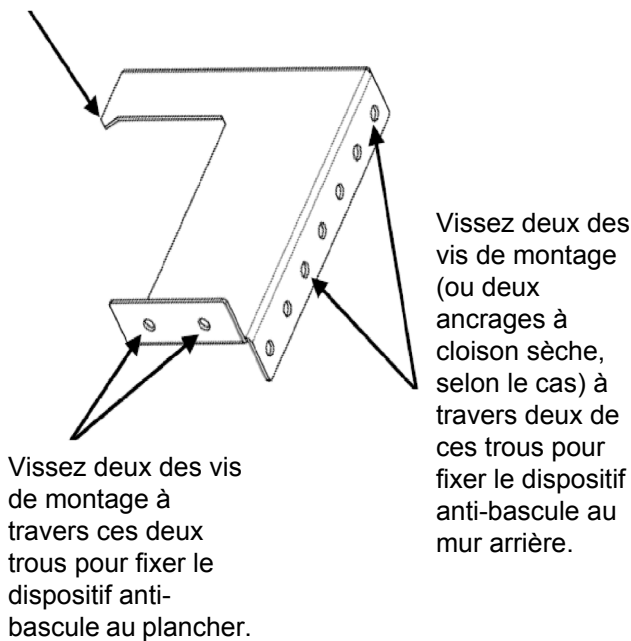


Figure 13: Support anti-bascule

## Étape 6 : Exigences relatives à l'approvisionnement en gaz et au raccordement

Vérifiez le type de gaz utilisé sur le lieu d'installation. Assurez-vous que la cuisinière est configurée pour le type de gaz disponible à l'endroit où elle est installée. Lorsqu'il sort de l'usine, l'appareil est configuré pour être utilisé avec du gaz naturel. Il doit être converti pour être utilisé avec du gaz propane.

La conversion sur place de l'appareil pour une utilisation au gaz propane requiert l'installation du jeu de conversion fourni avec la cuisinière (numéro de série 553182). Un installateur ou un technicien qualifié doit procéder à la conversion de l'appareil. Consultez les instructions du jeu de conversion au propane pour obtenir tous les renseignements nécessaires à une installation complète. Suivez les instructions de ce jeu à la lettre pour convertir correctement le régulateur à haute pression et les réglages des soupapes à gaz.

Pour l'installation de l'appareil en haute altitude, veuillez consulter votre société gazière pour qu'elle vous communique ses recommandations relativement aux dimensions adéquates de l'orifice et à tout autre ajustement nécessaire visant à assurer une combustion adéquate du gaz à des altitudes particulières.

### EXIGENCES POUR LE GAZ NATUREL :

Raccord d'entrée :	NPT 3/4 po (19 mm) externe NPT 1/2 po (12,7 mm) interne (tuyau flexible – 3/4 po de diamètre min.)
Pression d'alimentation :	6 po min. à 14 po max. (14,9 mb à 34,9 mb) de colonne d'eau
Pression du collecteur :	5 po (12,5 mb) de colonne d'eau

### EXIGENCES POUR LE GAZ PROPANE :

Raccord d'entrée :	NPT 3/4 po (19 mm) externe NPT 1/2 po (12,7 mm) interne (tuyau flexible – 3/4 po de diamètre min.)
Pression d'alimentation :	11 po min. à 14 po max. (27,4 mb à 34,9 mb) de colonne d'eau
Pression du collecteur :	10 po (24,9 mb) de colonne d'eau



### AVERTISSEMENT:

Si vous utilisez un jeu de conversion, il devrait être installé par une agence qualifiée, conformément aux instructions du fabricant et à tous les codes et règlements en vigueur. Si vous ne suivez pas exactement les instructions, un incendie, une explosion ou des émanations de monoxyde de carbone pourraient causer des dommages à votre propriété, blesser des personnes ou même causer la mort. L'agence qualifiée est responsable de l'installation adéquate du jeu de conversion. L'installation ne peut être considérée comme adéquate et terminée avant que le fonctionnement de l'appareil converti ne soit examiné conformément aux instructions du fabricant, fournies avec le jeu de conversion.



### AVERTISSEMENT:

N'enlevez pas la plaque arrière de la cuisinière. Elle ne doit être retirée que par un préposé à l'entretien autorisé.



### ATTENTION:

Lorsque vous branchez l'appareil au tuyau d'approvisionnement en gaz propane, assurez-vous que le réservoir de propane est muni de son propre mécanisme régulateur à haute pression en plus du régulateur à haute pression de l'appareil. La pression de gaz de cet appareil ne devrait pas excéder 14,0 pouces (34,9 Mb) de colonne d'eau entre le réservoir de propane et le régulateur à haute pression.

## Raccordement

Un technicien compétent devrait brancher les raccords du tuyau d'approvisionnement en gaz, conformément aux codes ou aux règlements locaux. S'il n'y a pas de code local, l'installation doit être conforme à la norme américaine sur le gaz combustible ANSI Z223.1/ NFPA54, édition actuelle.

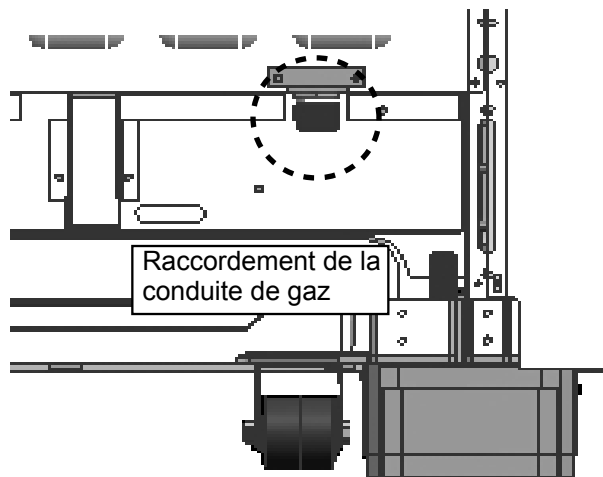


Figure 14: Raccordement du connecteur de la conduite de gaz

Une vanne d'arrêt manuel d'approvisionnement en gaz doit être installée à un endroit accessible à l'avant de l'appareil. Le tuyau d'arrivée du gaz ne doit pas interférer avec la partie arrière de l'appareil.

La cuisinière est fournie avec un régulateur de pression non amovible qui a été fixé de façon permanente à l'intérieur de l'appareil.


- Assurez-vous que la vanne d'arrêt d'approvisionnement en gaz est fermée avant de raccorder l'appareil.
- Utilisez un tuyau à gaz souple de  $\frac{3}{4}$  po (19 mm) entre l'approvisionnement en gaz et le tuyau d'arrivée de l'appareil, lequel est situé à l'arrière de l'appareil, en bas à droite. Le filetage externe du tuyau d'arrivée de gaz de l'appareil est de type NPT  $\frac{3}{4}$  po (19 mm) et le filetage interne est de type NPT  $\frac{1}{2}$  po (13 mm) (voir Figure 14).
  - Prenez garde de ne pas serrer le tuyau souple de  $\frac{3}{4}$  po (19 mm) en le pliant.
  - La longueur recommandée pour le tuyau souple est de 48 po (1219 mm). Veuillez toutefois consulter les codes locaux pour en connaître les exigences avant de procéder à l'installation.
- Utilisez toujours un scellant à tuyau ou du ruban Teflon<sup>mc</sup> sur les filets des tuyaux et assurez-vous de ne pas trop forcer en serrant les raccords.
- Les tests de fuite de l'appareil doivent toujours être réalisés conformément aux instructions suivantes :
  - Ouvrez le gaz et assurez-vous qu'il n'y a pas de fuites à l'aide d'une solution savonneuse.



- Des bulles indiquent la présence d'une fuite. Réparez toute fuite immédiatement après l'avoir repérée.

 **AVERTISSEMENT:**

**N'utilisez pas de flamme pour vérifier les fuites de gaz.**

 **AVERTISSEMENT:**

L'appareil doit être isolé du système d'approvisionnement en gaz en fermant la vanne d'arrêt manuel pendant les tests de pression des tuyaux d'approvisionnement en gaz si ces pressions sont égales ou inférieures à ½ psi (3,5 kPa).

L'installateur est responsable de s'assurer que l'installation, le raccordement au gaz et la mise à la terre sont faits conformément à tous les codes en vigueur.

L'appareil et sa vanne d'arrêt individuelle doivent être débranchés du système d'approvisionnement en gaz pendant tous les tests de pression du système si la pression de ces tests est égale ou supérieure à ½ psi (3,5 kPa).

Pour la vérification de la pression de gaz du collecteur, la pression d'entrée du détendeur doit être au moins de 6 po (14,9 mb) de colonne d'eau pour le gaz naturel ou de 11 po (7,4 mb) de colonne d'eau pour le propane.

N'essayez pas de modifier de quelque façon que ce soit le régulateur de pression.

## Étape 7 : Exigences relatives à l'alimentation électrique, au branchement et à la mise à la terre


Avant de procéder à l'entretien de l'appareil, débranchez toujours le cordon d'alimentation électrique de la prise murale, s'il y a lieu. Si l'appareil est branché à l'alimentation électrique à l'aide d'un raccordement fixe, coupez l'alimentation de l'appareil à même le disjoncteur ou le fusible auquel il est branché. Verrouillez le panneau de service pour empêcher sa mise en circuit accidentelle.

Les cuisinières mixtes peuvent être branchées à une prise murale ou câblées directement à l'alimentation électrique par un raccordement fixe (consultez la page 17).

**Tableau B : Exigences pour les circuits d'alimentation électrique**

Modèle	Tension	Courant nominal	Fréquence	Phase
36 po	240/208 VAC	35 Ampères	60 Hz	Monophasé
48 po	240/208 VAC	50 Ampères	60 Hz	Monophasé

- Un fil d'alimentation neutre doit être installé à partir de la source d'électricité (disjoncteur/panneau de fusibles), car certains éléments de la cuisinière, dont le module de production d'étincelle des brûleurs de la table de cuisson, doivent être branchés sur du 120 VAC pour fonctionner de façon sécuritaire.
- Si le circuit électrique n'est pas adéquat, il est de la responsabilité et de l'obligation de l'installateur et de l'utilisateur de s'assurer qu'une installation correcte et conforme à la réglementation locale en vigueur est réalisée par un électricien qualifié. Il est également de la responsabilité de l'installateur de s'assurer que les codes locaux sont respectés. S'il n'y a pas de réglementation locale, le branchement électrique doit être conforme au code national de l'électricité.
- La mise à la terre doit être conforme à tous les règlements en vigueur. Sinon, la norme américaine d'électricité ANSI/NFPA No 70 actuelle doit être appliquée. Consultez les renseignements apparaissant dans la présente section (Étape 7) pour connaître la méthode de mise à la terre à utiliser.
- Les schémas de câblage électrique à l'intention d'un technicien qualifié se trouvent derrière la garniture de porte de l'appareil (voir *Figure 5*).

 **AVERTISSEMENT:**

Une mauvaise alimentation électrique de 120/240 VAC entraînera des dysfonctionnements, endommagera la cuisinière et pourrait présenter des risques d'électrocution.

- Les cuisinières doivent être branchées à une alimentation électrique de 240/208 VAC.

Les cuisinières mixtes doivent être branchées à l'alimentation électrique en ayant recours à l'une des méthodes suivantes. Pour toutes les méthodes de connexion, la longueur du cordon ou du câblage et du conduit de câbles doit permettre le retrait total de l'appareil hors de l'armoire sans qu'il soit nécessaire de le débrancher. La longueur minimale recommandée pour le cordon ou le conduit est de quatre pieds. Les installations électriques et la mise à la terre doivent être conformes à tous les règlements et codes locaux, ou au code national d'électricité, s'il y a lieu.

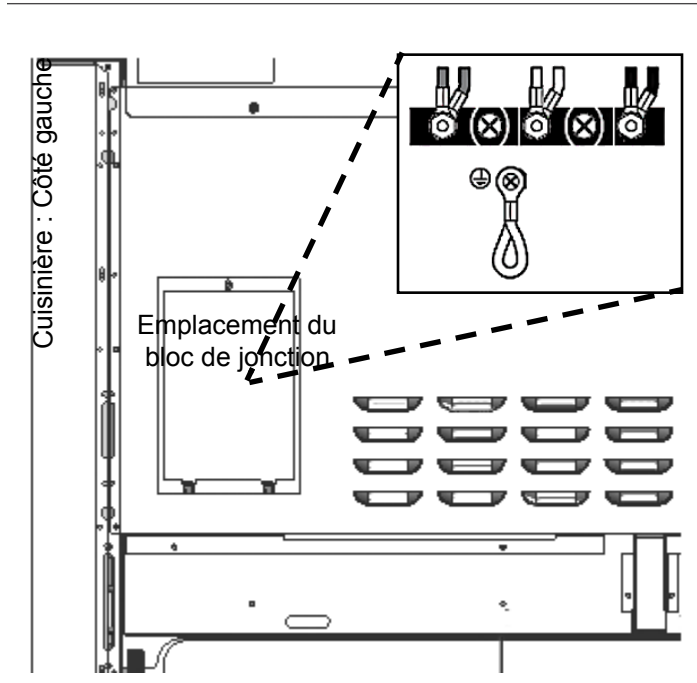


Figure 15: Emplacement du bloc de jonction

#### CONNEXION PERMANENTE (BRANCHEMENT FIXE) —

Les appareils peuvent être branchés directement à l'alimentation. L'installateur doit fournir un conduit en aluminium flexible approuvé, format 3/4 po (19 mm), d'une longueur minimale de 6 pieds (1,8 mètre). Localisez le bloc de jonction à l'arrière de l'appareil et enlevez le couvercle (consultez la Figure 15). Le conduit doit être fixé à la boîte de connexion à l'aide d'un connecteur de conduit approuvé. L'extrémité libre du conduit de câbles doit être branchée à un bloc de jonction installé dans la zone d'alimentation électrique, comme illustré sur la Figure 3.

Installez une bride de cordon (non fourni) dans le trou de 1 po (25,4 mm) de diamètre situé sous le bloc de jonction (voir Figure 16). Le câblage de l'appareil doit être acheminé au bloc de jonction par le conduit et à travers la bride de cordon. Les extrémités des fils doivent être munies de cosses en boucle de 1/4 po, préférablement soudées sur place. Faites les connexions au bloc de jonction fourni (voir Figure 15).

Si un câble d'alimentation en aluminium est utilisé dans l'installation, épissez le câble d'aluminium et le fil de cuivre pour qu'ils s'adaptent à la cuisinière en utilisant des connecteurs spécialement conçus et certifiés pour joindre des fils de cuivre et d'aluminium. Suivez la procédure d'installation recommandée par le fabricant du connecteur.



#### AVERTISSEMENT:

Une connexion inadéquate du câble électrique en aluminium peut présenter un risque de décharge électrique. N'utilisez que des connecteurs conçus et certifiés pour la connexion d'un câble en aluminium.

**Installateur :** Montrez au propriétaire l'emplacement du coupe-circuit ou du fusible. Notez l'emplacement à des fins de référence.

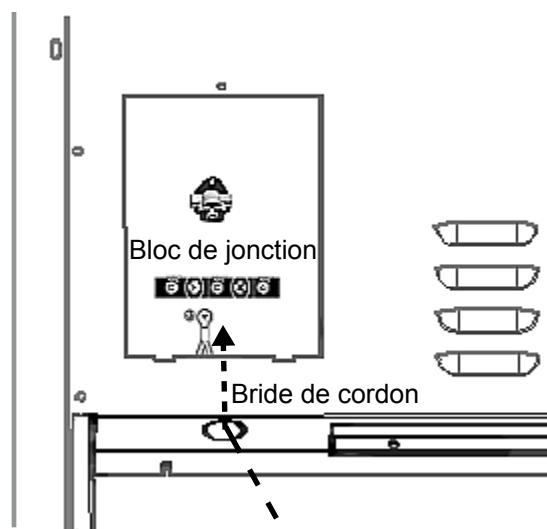


Figure 16: Emplacement de la bride de cordon

**CORDON À 4 CONDUCTEURS** — NORMALEMENT, UN APPAREIL DOIT ÊTRE BRANCHÉ À L'ALIMENTATION AVEC UN CORDON À 4 CONDUCTEURS, TRIPOLAIRE, COTÉ 125/250 VOLTS, 50 AMPÈRES ET CONÇU POUR ÊTRE UTILISÉ AVEC UNE CUISINIÈRE.

Le cordon doit être fixé au bloc de jonction de la cuisinière avec un réducteur de tension s'adaptant à un trou de 1 po (25,4 mm) de diamètre. Si ce n'est pas le cas, le cordon doit être muni de cosses en boucle fermée de ¼ po (6 mm) fixées aux extrémités libres des conducteurs individuels, préférablement soudés sur place.

### Connexion à quatre fils

1. Enlevez seulement les écrous supérieurs des plots du bloc de jonction. N'enlevez pas les écrous qui maintiennent les fils de câblage internes de la cuisinière.
2. Installez une bride de cordon (non fournie avec la cuisinière) dans le trou de 1 po (25,4 mm) de diamètre situé sous le bloc de jonction, dans le panneau arrière (voir *Figure 16*). Faites passer les fils par la bride de cordon.
3. Fixez le fil neutre mis à la terre du circuit d'alimentation au plot central du bloc de jonction avec un écrou (voir la *Figure 17*).
4. Fixez les fils de sortie L1 (noir) et L2 (rouge) aux plots du bloc de jonction extérieur (couleur laiton) avec des écrous.
5. Enlevez la vis verte du connecteur de terre située sous le bloc de jonction. Jetez le fil blanc.
6. Fixez le connecteur de terre en cuivre au châssis de la cuisinière à l'aide de la vis de mise à la terre précédemment utilisée avec le fil blanc. Assurez-vous que les bornes neutre et de terre ne se touchent pas.
7. Serrez bien toutes les connexions.

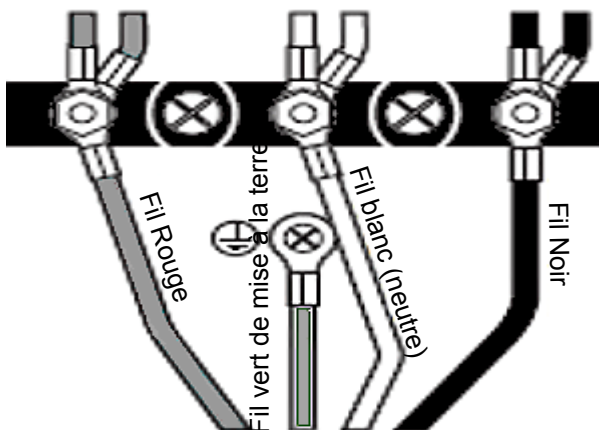


Figure 17: Connexion à quatre fils

8. Réinstallez le couvercle du bloc de jonction.

**CORDON À 3 CONDUCTEURS** — LORSQUE LES CODES ET RÈGLEMENTS LOCAUX PERMETTENT LA MISE À LA TERRE PAR LE FIL NEUTRE ET QUE LA CONVERSION DE L'ALIMENTATION À 4 FILS EST IRRÉALISABLE, L'APPAREIL PEUT ÊTRE BRANCHÉ À L'ALIMENTATION ÉLECTRIQUE AVEC UN CORDON À 3 CONDUCTEURS, TRIPOLAIRE, COTÉ 125/250 VOLTS, 50 AMPÈRES ET CONÇU POUR ÊTRE UTILISÉ AVEC UNE CUISINIÈRE.

Le cordon doit être fixé au bloc de jonction de la cuisinière avec un réducteur de tension s'adaptant à un trou de 1 po (25,4 mm) de diamètre. Si ce n'est pas le cas, le cordon doit être muni de cosses en boucle fermée de ¼ po (6 mm) fixées aux extrémités libres des conducteurs individuels, préférablement soudés sur place.

### Connexion à trois fils

1. Enlevez seulement les écrous supérieurs des plots du bloc de jonction. N'enlevez pas les écrous qui maintiennent les fils de câblage internes de la cuisinière.
2. Installez une bride de cordon (non fournie avec la cuisinière) dans le trou de 1 po (25,4 mm) de diamètre situé sous le bloc de jonction, dans le panneau arrière (voir *Figure 16*). Faites passer les fils par la bride de cordon.
3. Fixez le fil neutre mis à la terre du circuit d'alimentation au plot central (de couleur argent) du bloc de jonction (consultez la *Figure 18*).
4. Fixez les fils de sortie L1 (noir) et L2 (rouge) aux plots correspondants du bloc de jonction extérieur (couleur laiton).
5. Fixez l'une des extrémités du fil neutre monté en boucle, situé sous le bloc de jonction, au plot central du bloc de jonction avec un écrou et vissez l'autre extrémité du fil au dos de la cuisinière.
6. Serrez bien les écrous.

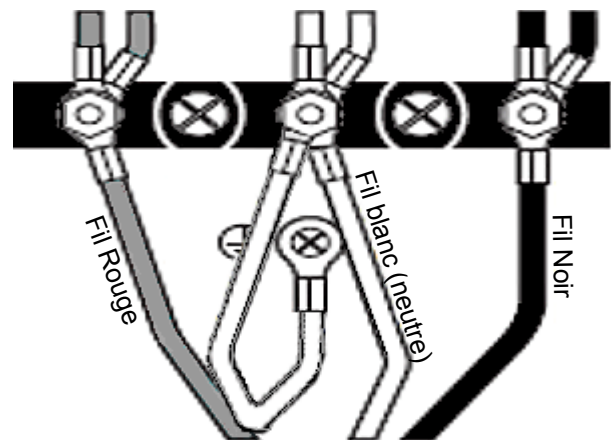


Figure 18: Connexion à trois fils

7. Réinstallez le couvercle du bloc de jonction.

## Étape 8 : Installation du dossieret (optionnel)

Les méthodes d'installation varient selon les besoins. Avant de commencer, lisez attentivement ces instructions. Respectez tous les codes et règlements locaux.





### AVERTISSEMENT :

Pour réduire les risques d'incendie ou de blessures corporelles, assurez-vous que tout le matériel d'emballage a été retiré des accessoires avant de les utiliser.

### Installation du dossieret de protection

(PA [30,36, 48] JBS)

Pièces incluses	Outils requis
 (10) vis de 1 po (25,4 mm)	Tournevis ou pointe Phillips
 (1) dossieret de protection	Ruban à mesurer
(1) guide d'installation	Crayon

- Le dossieret de protection doit être installé avant le montage d'une hotte, car le pavillon de la hotte couvrira les vis de montage supérieures du dossieret de protection.
- Pour protéger le dossieret de protection contre les égratignures, laissez la pellicule de protection qui le recouvre jusqu'à ce que vous ayez terminé l'installation.
- Si la cuisinière est déjà installée, consultez les instructions du fabricant pour le débranchement de l'alimentation en gaz et de l'alimentation électrique. Déplacez la cuisinière pour avoir accès au mur arrière.

- Localisez et marquez les endroits où passent les montants de cloison.
  - Les montants de cloison sont normalement installés à des intervalles de 16 po ou 24 po (406 mm ou 1372 mm).
- La hauteur de la hotte déterminera la hauteur de montage du côté supérieur du dossieret de protection. Le dossieret de protection devrait être installé de façon à ce que la partie inférieure de la hotte chevauche le dossieret de protection de 1-½ po (38 mm).
- Utilisez deux vis fournies pour fixer le haut et le bas du dossieret de protection dans chaque montant de cloison (voir *Figure 19*).
  - Dans certains cas, et compte tenu de la largeur variable des montants de cloison et des dossierets muraux, un seul montant de cloison peut se trouver à l'emplacement de l'installation.
- Enlevez la pellicule de protection en plastique.

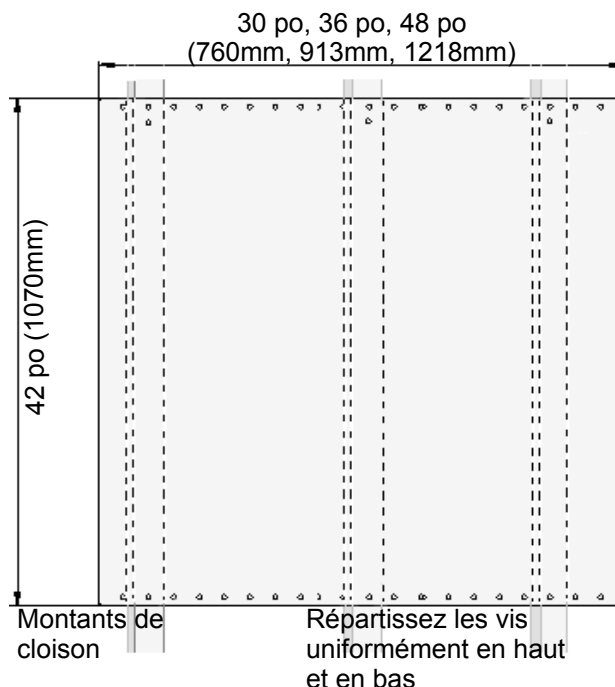


Figure 19: Installation du dossieret de protection

## Installation d'un dossieret de protection avec une étagère garde-chaud

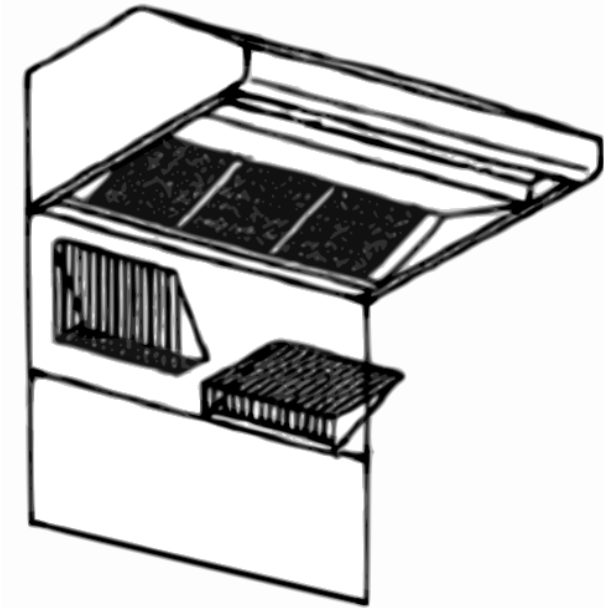


Figure 20: Dossieret de protection avec étagère garde-chaud

- La hotte peut être montée en premier si le dossieret de protection est installé avec une étagère garde-chaud puisque cette étagère couvrira les vis de montage supérieures du dossieret de protection (Figure 20).
- Pour protéger le dossieret de protection contre les égratignures, laissez la pellicule de protection sur le dossieret de protection jusqu'à ce que vous en ayez terminé l'installation.
- Si la cuisinière est déjà installée, consultez les instructions du fabricant pour le débranchement de l'alimentation en gaz et de l'alimentation électrique. Déplacez la cuisinière pour avoir accès au mur arrière.

1. Localisez les montants de cloison.
  - Les montants de cloison sont normalement installés à des intervalles de 16 po ou 24 po (406 mm ou 1372 mm).
2. La hauteur de la hotte déterminera la hauteur de montage du côté supérieur du dossieret de protection. Le dossieret de protection devrait être installé de façon à ce que la partie arrière inférieure de l'étagère garde-chaud chevauche le dossieret de protection de 1-½ po (38 mm).
3. À l'endroit indiqué sur la Figure 21 fixez les supports inférieurs fournis avec l'étagère garde-chaud à travers le dossieret de protection, dans les montants de cloison.
  - Dans certains cas, et compte tenu de la largeur variable des montants de cloison et des dossierets muraux, un seul montant de cloison peut se trouver à l'emplacement de l'installation.
4. Enlevez la pellicule de protection en plastique.
5. Commencez l'installation de l'étagère garde-chaud.

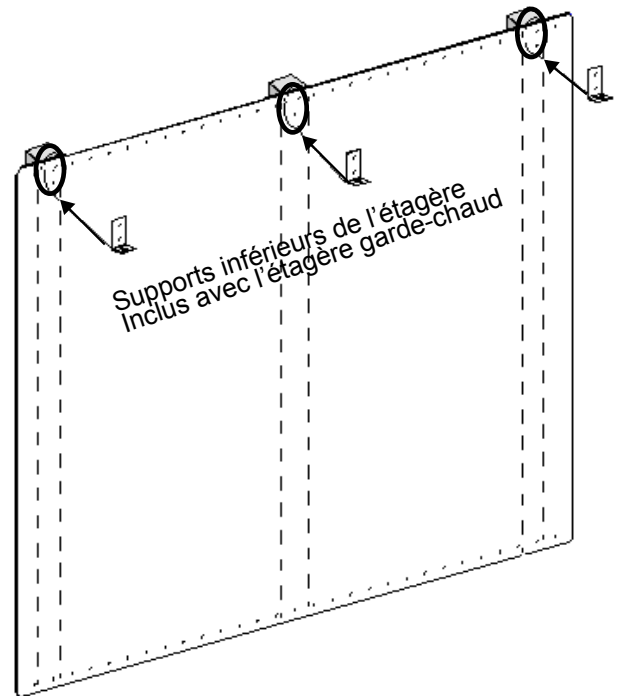


Figure 21: Dossieret de protection avec étagère garde-chaud

## Étagère garde-chaud

(KHS [30,36,42,48] QS)

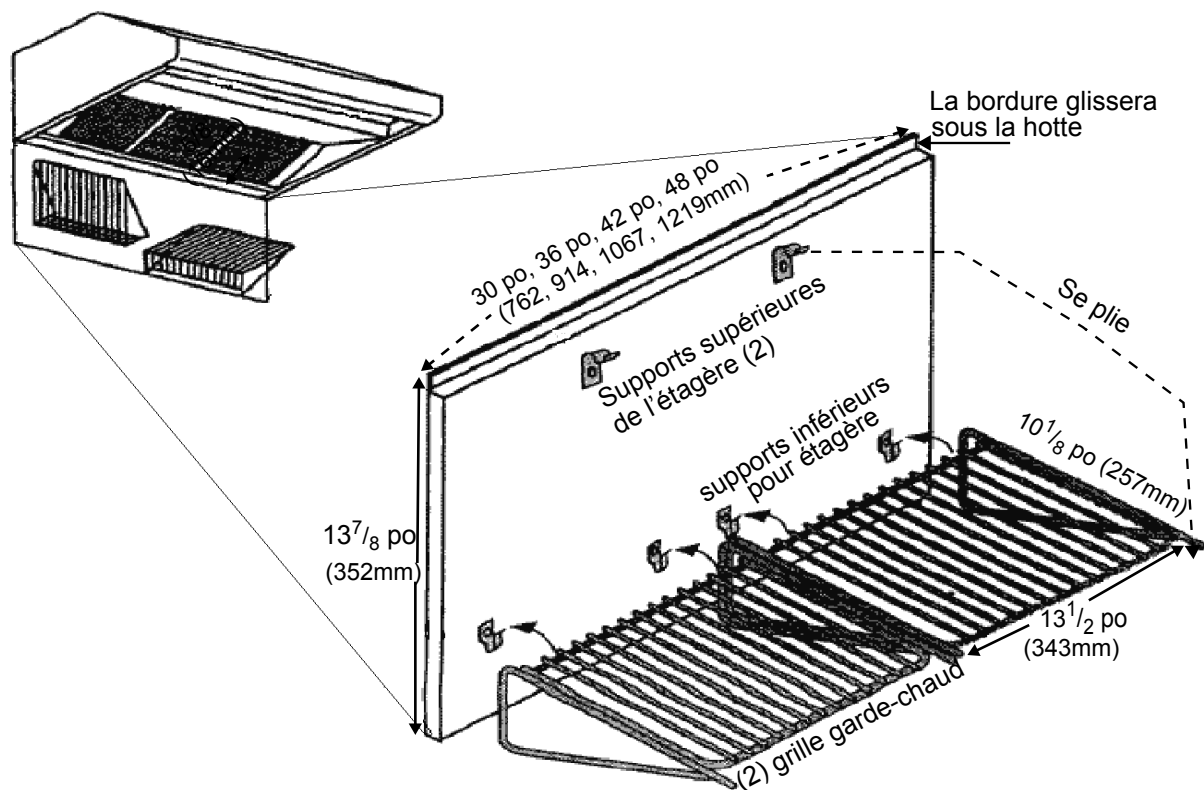


Figure 22: Étagère garde-chaud

### Articles inclus



(10) vis de 1 po (25,4 mm)  
(4) vis de 1/2 po (12,7 mm)



(4) écrous en U



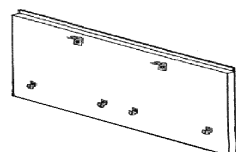
(2) supports supérieurs pour étagère



(4) supports inférieurs pour étagère



(2) grille garde-chaud



(1) dossier de protection pour étagère garde-chaud

(1) guide d'installation et gabarit

### Outils requis

Ruban à mesurer

Tournevis ou mèche Phillips

Ruban à peinture

Couteau ou ciseaux

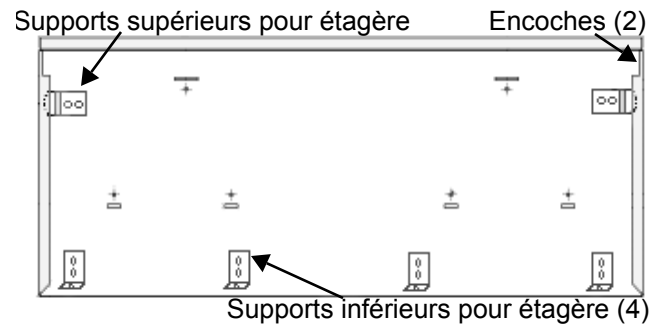
Crayon



1. Collez sur le mur, avec du ruban, les gabarits fournis avec l'étagère garde-chaud comme suit :
  - Collez la feuille intitulée Left Hand Template au coin inférieur gauche de la hotte en alignant la bordure inférieure de la hotte et la ligne supérieure du gabarit.
  - Collez la feuille intitulée Right Hand Template au coin inférieur droit de la hotte en alignant la bordure inférieure de la hotte et la ligne supérieure du gabarit.
  - Collez la feuille intitulée Installation Instruction de façon à ce que la flèche située en haut du gabarit soit alignée avec la ligne centrale de la hotte. Alignez la bordure inférieure de la hotte et la ligne supérieure du gabarit.
  - Les côtés gauche et droit du gabarit doivent correspondre à la longueur de l'étagère.

2. Installez les deux supports supérieurs pour étagère et les trois supports inférieurs pour étagère aux endroits indiqués sur les gabarits. Fixez-les en place à l'aide des (10) vis de 1 po (25,4 mm) fournies.
3. Découpez le gabarit autour des supports et enlevez-le du mur. Ne le jetez pas avant d'avoir terminé l'installation de l'étagère garde-chaud.
4. Insérez les quatre écrous en U dans les quatre supports inférieurs pour étagère.

5. Installez la plaque murale en plaçant les encoches des coins (dos de la plaque murale) au sommet des deux supports supérieurs pour étagère. Faites glisser l'ensemble de l'étagère vers le haut jusqu'à ce que la partie inférieure s'enclenche dans les quatre supports inférieurs (Figure 23).



**Figure 23: Dos de la plaque murale**

6. Assurez-vous que la partie supérieure de l'ensemble de l'étagère est bien fixée en place en tirant vers vous sur la partie supérieure de l'étagère.
7. Fixez la partie inférieure de l'ensemble de l'étagère à l'aide des (4) vis de ½ po (12,7 mm) fournies.

#### **Pour une étagère garde-chaud de 48 po**

Suivez les étapes 1-6 à cette différence près que les quatre supports inférieurs doivent être installés à des intervalles de 15 po (381 mm).

## Installation du dossieret

### OFFERT AVEC CES PRO GRAND<sup>mc</sup> MODÈLES :

PRD364JDGU	Cuisinière mixte Pro Grand de 36 po avec quatre brûleurs et une plaque chauffante
PRD364JDGC	Cuisinière mixte Pro Grand de 36 po avec quatre brûleurs et une plaque chauffante – Canada
PRD366JGU	Cuisinière mixte Pro Grand de 36 po avec six brûleurs
PRD366JGC	Cuisinière mixte Pro Grand de 36 po avec six brûleurs – Canada
PRD486JDGU	Cuisinière mixte Pro Grand de 48 po avec six brûleurs et une plaque chauffante
PRD486JDGC	Cuisinière mixte Pro Grand de 48 po avec six brûleurs et une plaque chauffante – Canada
PRD48JDSGU	Cuisinière mixte Pro Grand de 48 po et un four à vapeur
PRD48JDSCG	Cuisinière mixte Pro Grand de 48 po et un four à vapeur – Canada

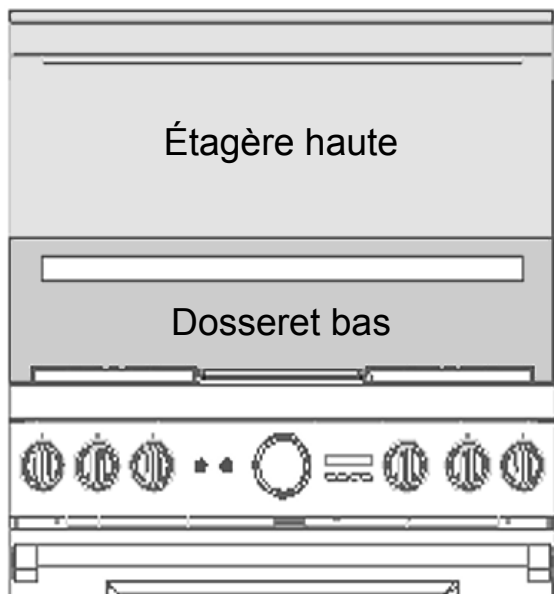


Figure 24: Vue de face de l'étagère haute et du dossieret bas



#### ATTENTION :

La tablette haute peut devenir très chaude! Ne mettez PAS les articles suivants sur cette tablette:

- Du plastique ou des contenants pouvant fondre
- Des articles inflammables
- Des articles pesant plus de 30 lb (13,6 kg)



#### AVERTISSEMENT :

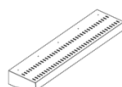
Vous pourriez vous pincer les doigts ou les mains et vous blesser gravement lors de l'installation de cet accessoire. Soyez très prudent et portez des gants protecteurs épais pour éviter toute coupure ou lacération des doigts ou des mains lorsque vous faites glisser le dossieret en place.

#### NOTE :

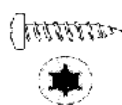
Si un dossieret de protection est utilisé avec le dossieret bas de l'appareil, installez d'abord le dossieret de protection, puis le dossieret bas avant de remettre la cuisinière à sa place.

#### Pièces fournies avec l'étagère haute

(1) panneau supérieur



(1) panneau frontal

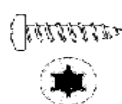
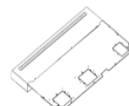


(13) vis Torx T-20 en inox  
(16 ou 14) vis à pointe Torx T-20

(1) guide d'installation

#### Pièces fournies avec le dossieret bas

(1) panneau



(9 ou 8) vis Torx T-20 en inox  
(8 ou 6) vis à pointe Torx T-20

(1) guide d'installation

#### Outils requis

Tournevis ou mèche Torx T-20

Gants de protection

Backguard Kit Model Numbers			
Modèle	36"	48"	48" Steam
Dosseret bas	PA36JLBG	PA48JLBG	PA48JLBSSG
Étagère haute	PA36JHSG	PA48JHSG	PA48JHSSG
Garniture d'îlot	Inclus avec la cuisinière		

Lors d'une installation contre une surface combustible, vous devez utiliser une étagère haute ou un dosseret bas. Vous pouvez vous acheter séparément ces articles THERMADOR<sup>mc</sup>. Consultez la page 6 pour obtenir plus de renseignements sur les espaces libres.

Lors de l'utilisation de la garniture d'îlot THERMADOR, il faut un espace minimal de 12 po (305 mm) entre la partie arrière de l'appareil et la surface combustible (voir *Figure 1* à la page 5). Les espaces libres jusqu'aux surfaces non combustibles ne sont pas précisés dans la norme ANSI Z21.1 et ne sont pas certifiés par la CSA. Tout espace libre de moins de 12 po (305 mm) doit être approuvé par les normes locales ou l'autorité locale ayant compétence.

## Assemblage de l'étagère haute

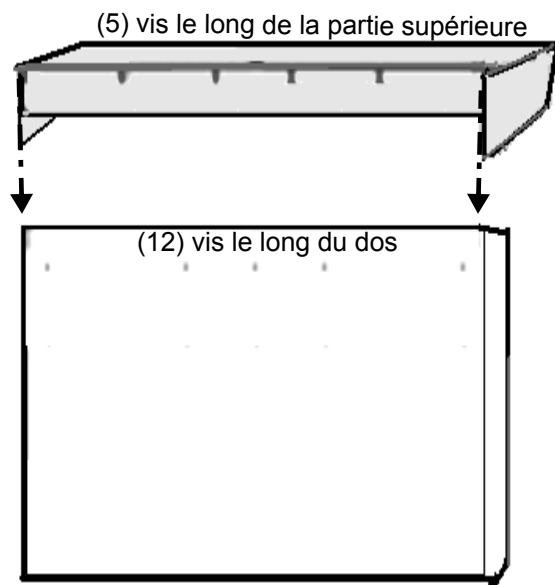


Figure 25: Vue arrière du dosseret de protection

1. Enlevez la pellicule de protection en plastique.
2. Glissez l'étagère dans les canaux de guidage du dosseret.

3. Fixez les cinq vis en inox le long de la partie supérieure de l'étagère et 12 vis en inox dans la partie arrière de l'étagère.
4. Commencez l'installation du dosseret.

## Installation du dosseret

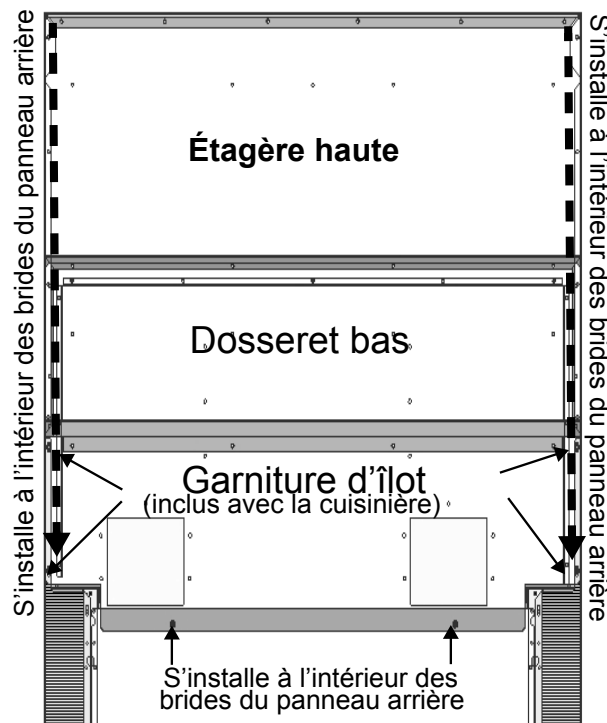


Figure 26: Installation du dosseret

1. Enlevez la pellicule de protection en plastique.
2. Selon le modèle, enlevez les trois ou quatre vis Torx T-20 en inox de la face de la garniture d'îlot fournie, les quatre vis à pointe qui retiennent la garniture aux panneaux latéraux et les deux ou quatre vis à pointe qui retiennent le panneau arrière en place. Soulevez la garniture pour la retirer totalement.
3. Alignez le panneau arrière du nouvel accessoire et les brides des coins arrière droit et gauche des panneaux latéraux de la cuisinière. Le dosseret s'insère dans les canaux de guidage situés à l'arrière de la cuisinière.
4. Assurez-vous que la face du dosseret est à l'extérieur des brides, vers l'avant de la cuisinière.
5. Remettez les vis en place dans les nouveaux panneaux (frontal et latéraux) du dosseret.
6. Remettez les quatre vis en place pour fixer le panneau arrière du dosseret aux panneaux latéraux, au dos de la cuisinière.

## Étape 9 : Mise en place et nivelage de la cuisinière



### MISE EN GARDE:

Les côtés supérieurs des panneaux latéraux de la cuisinière doivent être à la même hauteur ou plus haut que le comptoir adjacent. Si la cuisinière se trouve à une hauteur inférieure que l'armoire adjacente lorsqu'elle fonctionne, les températures excessives qui se dégagent de la cuisinière pourraient endommager les armoires et le comptoir (voir *Figure 29*).

Pour fonctionner adéquatement, la **cuisinière doit être nivelée**. Cela est particulièrement important pour tous les appareils munis d'une plaque chauffante. Pour un rendement optimal, vous devriez vous assurer que la cavité du four est également nivelée.

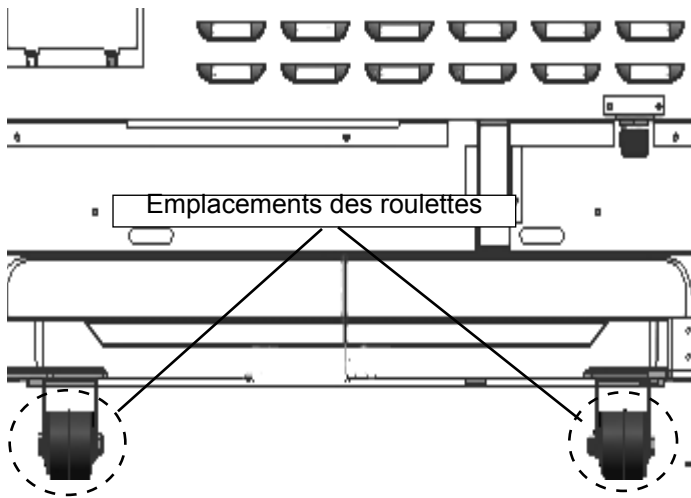


Figure 27: Emplacements des roulettes

1. Les pattes arrière des cuisinières sont munies de roulettes (voir *Figure 27*). Ces roulettes facilitent le déplacement de la cuisinière. Ainsi, en soulevant légèrement l'avant de la cuisinière, il est possible de la faire rouler à son emplacement d'installation.
2. La cuisinière possède quatre pattes ajustables qui sont filetées dans la structure de la base moulée en aluminium. Pour niveler la cuisinière, il suffit de tourner les pattes avec une clé ajustable de 12 po (305 mm) les côtés plats de chaque patte.
  - Il est recommandé de mesurer la hauteur du comptoir avec un ruban à mesurer et d'ajouter 1/16 po à 1/8 po (2-3 mm) de plus, puis d'ajuster les pattes avant de remettre la cuisinière à son emplacement définitif.

3. L'ajustement de la hauteur devrait se faire peu à peu, en alternant entre chacune des quatre pattes jusqu'à ce que les côtés supérieurs des panneaux latéraux de la cuisinière arrivent sensiblement à la même hauteur que le comptoir.
4. L'ajustement final des deux pattes arrière doit se faire avant d'installer la cuisinière à son emplacement définitif, entre les armoires.
5. Au moment d'installer la cuisinière à son emplacement définitif, assurez-vous que le « crochet » du dispositif anti-bascule s'insère correctement dans la bride arrière de la base moulée (voir « *Étape 5 : Installation du dispositif anti-bascule* »). Pour ce faire, vous pouvez regarder à travers l'ouverture située à l'avant de la cuisinière, près du sol.
6. Lorsque la cuisinière se trouve à son emplacement définitif, l'ajustement de la hauteur finale et l'alignement avec le comptoir se font en ajustant les deux pattes avant.

### Ajustement de l'inclinaison de la plaque chauffante (sur certains modèles)

Assurez-vous que la plaque chauffante est bien ajustée en versant deux cuillerées d'eau à l'arrière de la plaque. L'eau devrait lentement couler vers les collecteurs de graisse. Autrement, ajustez les deux vis situées sous la plaque, à l'arrière de celle-ci. Commencez par dévisser les vis d'un demi-tour. Les ajustements subséquents devraient se faire par quart de tour jusqu'à ce que l'eau coule dans les collecteurs de graisse.

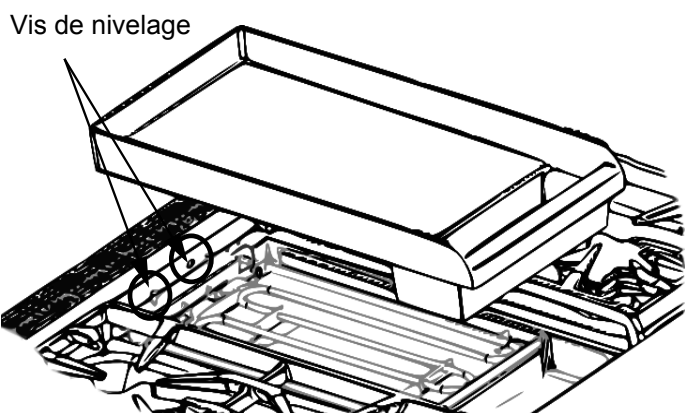


Figure 28: Vis de nivelage de la plaque chauffante

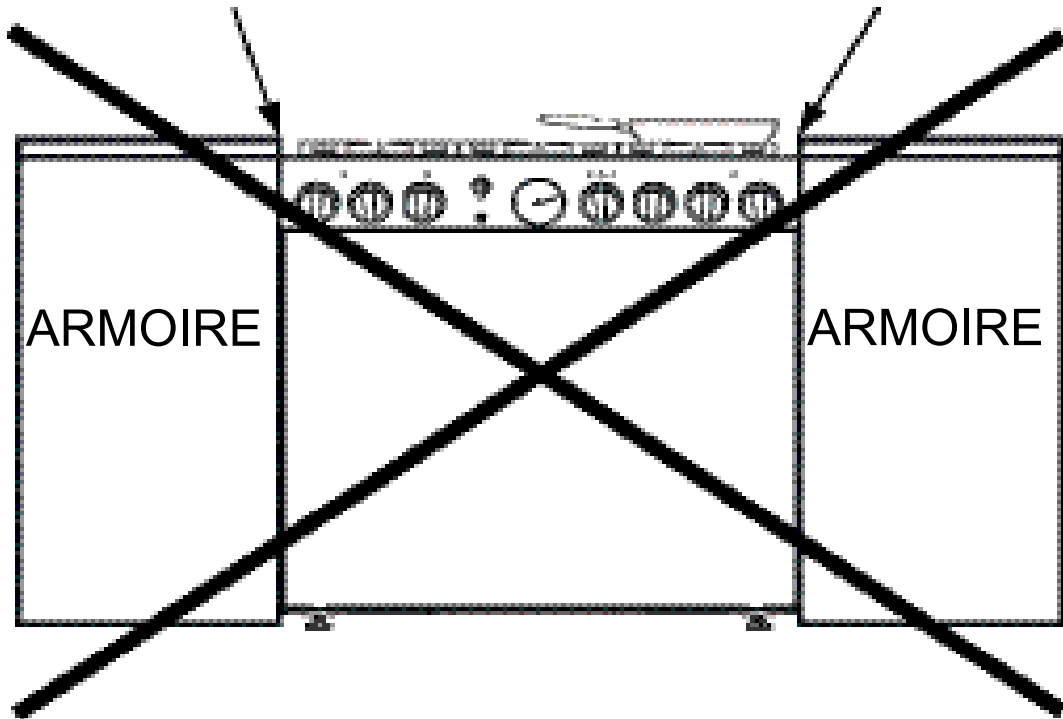


### AVERTISSEMENT :

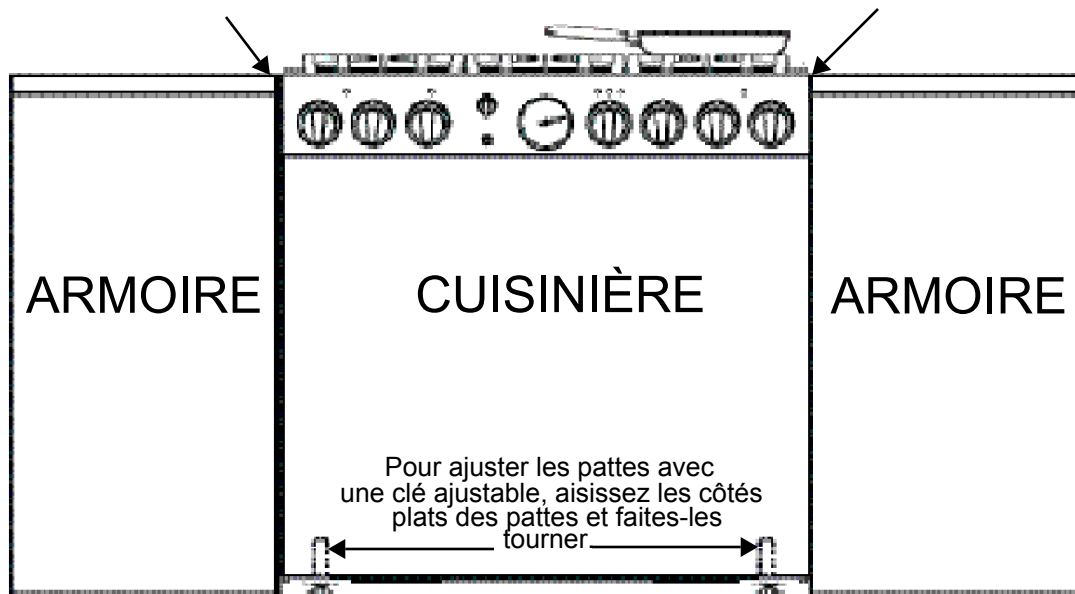
**Assurez-vous que les chapeaux des brûleurs reposent correctement sur les bases des brûleurs de la surface de cuisson de la cuisinière.**



**ATTENTION!** N'utilisez pas la cuisinière si les panneaux latéraux sont plus bas que les armoires adjacentes. Les températures excessives du four pourraient endommager les armoires et le comptoir.



**CORRECT!** – Les pattes devraient être ajustées de façon à ce que les côtés de la cuisinière soient à la même hauteur ou plus haut que le comptoir adjacent.



**NOTE :**

Les présentes instructions tiennent pour acquis que le comptoir adjacent à la cuisinière est nivelé convenablement.

Figure 29: Réglage de la hauteur de la cuisinière

## Installation des recouvrements des pattes

1. Enlevez l'emballage de plastique des « manches » en acier inoxydable.
2. Placez la plus petite « manche », avec les échancrures vers le haut, à l'intérieur de la manche plus large, avec les ouvertures des deux manches orientées vers l'arrière (Figure 30).
3. Sous la cuisinière, installez les pièces couplées autour d'une patte.
4. Faites glisser la manche extérieure vers le haut. L'autre pièce est munie d'encoches (que vous ne pouvez voir) dans lesquelles la manche plus grande devrait s'enclencher. Vous devriez sentir un déclic vous indiquant que le dispositif est fixé correctement à l'appareil (Figure 31).
5. Répétez le processus avec toutes les pattes visibles.

Une fois que la cuisinière est convenablement nivelée et que les recouvrements des pattes ont été installés, remettez la garniture de porte en place et réinstallez la porte du four (voir « *Étape 4 : Retrait et installation de la porte* ») pour la réinstallation de la porte).

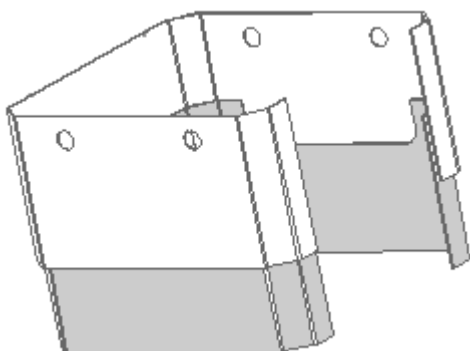


Figure 30: Recouvrements Des Pattes

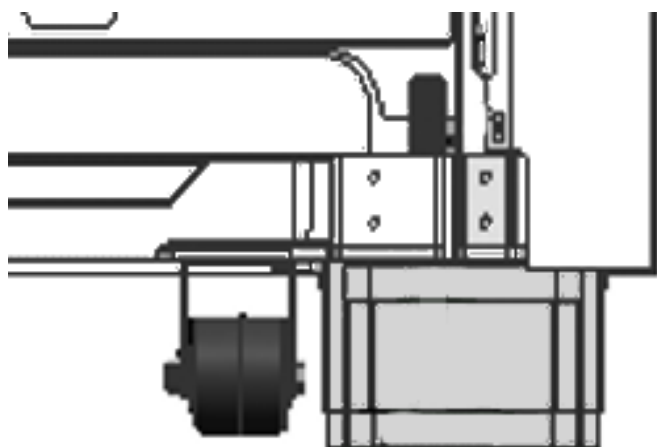


Figure 31: Recouvrements Des Pattes Installés

## Plinthe (optionnel)

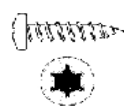
(PA [36,48] JTKG)

### Pièces de la plinthe incluses

(1) plinthe



(4) vis à pointe Torx T-20



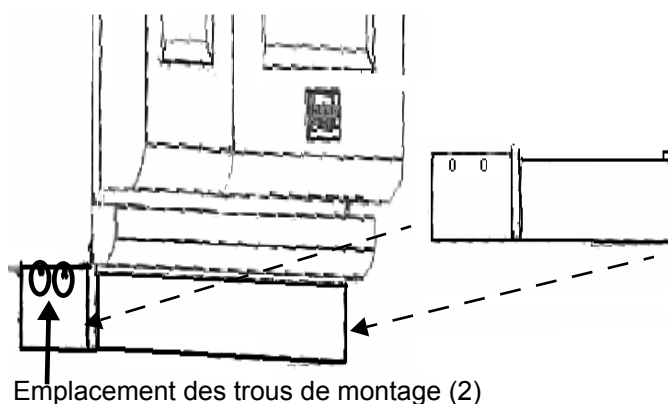
(1) guide d'installation

### Outils requis

Tournevis ou mèche Torx T-20

Gants de protection

1. Enlevez les recouvrements des pattes. Pour ce faire, faites glisser la manche extérieure des recouvrements de pattes vers le bas, en enlevant les encoches extrudées de la base en aluminium (voir Figure 30).
2. Enlevez la pellicule de protection en plastique qui recouvre la plinthe.
3. Sous la cuisinière, avec les trous et les brides tournés vers le haut, installez la plinthe autour de la base moulée en aluminium.
4. La pièce d'accouplement est munie de chaque côté d'encoches extrudées qui devraient s'introduire dans les trous de la plinthe. Vous devriez sentir un déclic vous indiquant que le dispositif est fixé correctement à l'appareil.
5. Installez la plinthe des deux côtés de l'appareil en la fixant aux trous de montage extrudés à l'aide des vis à pointe Torx T-20 fournies.



Emplacement des trous de montage (2)

Figure 32: Installation de la plinthe



## Étape 10 : Test et réglage des brûleurs

Installez tous les éléments libres ayant été retirés à une étape ultérieure, comme les chapeaux et les grilles des brûleurs. Assurez-vous que les chapeaux des brûleurs sont adéquatement placés sur leur base. Avant de tester le fonctionnement de l'appareil, assurez-vous d'une part qu'aucune fuite ne s'échappe de l'appareil et du raccord d'alimentation en gaz et d'autre part que l'appareil est branché à l'alimentation électrique. Tournez la vanne d'arrêt du gaz en position ouverte.

### NOTE:

Avant de mettre le four en marche, tous les boutons du four doivent être à la position OFF. Pour prévenir tout fonctionnement non voulu lors de la mise en marche du four, veuillez placer tous les boutons à la position OFF. Pour assurer la sécurité de l'utilisateur lors d'une panne d'électricité, un message annonçant une erreur apparaît à l'écran de l'appareil lors de la reprise du courant, à moins que tous les boutons soient à la position OFF. Remettez tous les boutons à la position OFF et réinitialisez le disjoncteur pour éliminer ce message.

### Vérification des brûleurs de la surface de cuisson

Test du système d'allumage des brûleurs. Choisissez un bouton de brûleur. Poussez-le et tournez-le dans le sens antihoraire jusqu'à la position HI. Le module d'allumage produit un déclic. Le brûleur devrait s'allumer en moins de 4 secondes, lorsque la conduite d'alimentation s'est vidée de son air.

Test de flamme : réglage haut. Tournez le bouton à HI. Consultez la *Figure 33* pour connaître les caractéristiques d'une flamme qui est considérée comme normale.

Si un des brûleurs de surface continue de brûler avec une flamme principalement ou complètement jaune, assurez-vous que le capuchon du brûleur est bien posé sur sa base, puis répétez cette opération. Si les caractéristiques de la flamme restent les mêmes, communiquez avec THERMADOR<sup>mc</sup>.

Test de flamme : réglage de mijotage. Tournez le bouton à SIM. Vérifiez si la flamme se propage sur tout le brûleur. Une flamme devrait sortir de chaque port du brûleur et il ne doit pas y avoir d'air entre la flamme et le brûleur. Si la flamme ne se propage pas sur tous les brûleurs, communiquez avec THERMADOR.

Quatre brûleurs de la surface de cuisson, deux du côté gauche et deux du côté droit, sont dotés de la fonction XLO<sup>mc</sup>, un réglage qui fait en sorte que la flamme s'allume et s'éteint par intervalles. Ce fonctionnement est normal.

### Lorsque la flamme est adéquatement ajustée:

Une flamme doit sortir de chaque port du brûleur. Il ne doit pas y avoir d'air entre la flamme et le port du brûleur.

Répétez ces tests avec chaque brûleur de la surface de cuisson.

Flamme jaune :

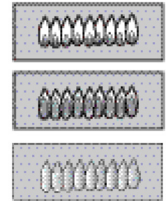
Réglage supplémentaire nécessaire.

Pointe jaune sur cône extérieur :

Normal avec du gaz propane.

Flamme bleue :

Normal avec du gaz naturel.



Si la flamme est principalement ou complètement jaune, assurez-vous que le régulateur est réglé pour le gaz approprié. Après avoir apporté cet ajustement, vérifiez de nouveau la flamme.

Il est normal que les flammes soient orangées pendant la mise en marche initiale.

Laissez l'appareil fonctionner de 4 à 5 minutes et évaluez de nouveau la situation avant d'effectuer des réglages.

Figure 33: Caractéristiques de flamme

# Liste de vérification à l'intention de l'installateur

- Les espaces libres spécifiés entre l'appareil et les armoires adjacentes sont respectés.
- Appareil nivelé et recouvrements des pattes installés.
- Les chapeaux des brûleurs sont bien placés sur leur base.
- Tout le matériel d'emballage a été enlevé.
- La garniture d'îlot ou le dosseret est installé conformément aux instructions.
- La garniture de porte a été réinstallée (voir *Figure 5*).
- La plaque chauffante est bien positionnée, penche légèrement vers l'avant et son étanchéité a été testée.
- Alignement de la porte vérifiée et porte ajustée au besoin.

## Approvisionnement en gaz

- Raccord : Filetage NPT de ¾ po (19 mm) avec tuyau flexible d'un diamètre d'au moins ¾ po (19 mm).
- L'appareil est bien raccordé au type de gaz pour lequel il est conçu.
- La vanne d'arrêt de gaz manuel a été installée à un endroit facile d'accès (sans qu'il soit nécessaire de déplacer la cuisinière).
- L'appareil a été testé et il n'y a aucune fuite de gaz.
- Si la cuisinière est branchée au gaz propane, assurez-vous que le réservoir de propane est muni de son propre mécanisme régulateur à haute pression en plus du régulateur à haute pression de l'appareil.
- Le propriétaire sait où se trouve la vanne d'arrêt de gaz.
- La pression d'approvisionnement en gaz n'est pas supérieure à 14 po (34,9 mb) de C.E.

## Électricité

- La prise de courant à laquelle le cordon d'alimentation est branché est bel et bien protégée contre les surtensions.
- Une mise à la terre adéquate a été effectuée.
- Le propriétaire sait où se trouve le disjoncteur principal.
- Une prise NEMA 5-20 de 120 VCA est utilisée pour les modèles de cuisinières au gaz munies d'une plaque chauffante avec une protection contre les surtensions de 20 ampères.

## Fonctionnement

- Les marques sont bien centrées sur les commandes des brûleurs et les boutons tournent librement.
- Chaque brûleur s'allume correctement, seul ou avec d'autres brûleurs allumés.
- Les charnières de la porte du four sont bien en place et se referment dans la position adéquate. La poignée et la porte du four sont nivelées et centrées. La porte s'ouvre et se ferme correctement.
- Les grilles des brûleurs sont bien placées, nivelées et ne bougent pas.
- Les flammes ont été testées pour tous les brûleurs et les obturateurs d'air des brûleurs du four ont été convenablement ajustés (si nécessaire).
- INSTALLATEUR** : Écrivez le numéro de modèle et le numéro de série se trouvant sur la plaque signalétique dans le MANUEL D'UTILISATION ET D'ENTRETIEN (la plaque se trouve du côté droit de la cuisinière, entre la cavité du four et le panneau latéral). Laissez le MANUEL D'UTILISATION ET D'ENTRETIEN ainsi que le MANUEL D'INSTALLATION au propriétaire de l'appareil.

---

# Nettoyage et protection des surfaces externes

Pour éviter que l'eau ne laisse de traces, les surfaces en acier inoxydable doivent être nettoyées à l'aide d'un chiffon mouillé et d'eau savonneuse, puis rincées à l'eau claire et séchées avec un chiffon sec. Les traces de doigts et les saletés partiront avec un nettoyant pour verre.

En cas de décoloration ou de tache persistante, consultez le manuel d'utilisation et d'entretien.

Pour faire briller et protéger l'acier inoxydable, utilisez un produit nettoyant ou un produit de polissage comme Stainless Steel Magic<sup>mc</sup>.

NE laissez PAS les dépôts s'accumuler sur une longue période.

N'utilisez PAS de tampons ni de brosses métalliques régulières. De petits morceaux de métal risquent d'adhérer à la surface et de la faire rouiller.

NE laissez PAS les solutions salines, les désinfectants, l'eau de javel ou les produits de nettoyage rester en contact avec l'acier inoxydable. Plusieurs de ces produits contiennent des produits chimiques nuisibles. Rincez à l'eau puis séchez avec un chiffon sec.

Les spécifications ne sont fournies qu'à des fins de planification. Consultez le fournisseur de votre comptoir de cuisine ainsi que les instructions d'installation avant de pratiquer une ouverture dans le comptoir. Consultez un entrepreneur en chauffage et en ventilation pour connaître les exigences particulières s'appliquant à votre cas. Pour obtenir des renseignements plus détaillés, consultez les instructions d'installation fournies avec votre produit ou écrivez à THERMADOR<sup>mc</sup> en indiquant le numéro du modèle dans votre communication.

Nous nous réservons le droit de modifier les caractéristiques ou le design de nos produits sans préavis. Certains modèles sont approuvés pour une utilisation au Canada. THERMADOR n'est pas responsable des produits transportés des États-Unis pour une utilisation au Canada. Veuillez vous renseigner auprès de votre distributeur ou détaillant Canadien.

---

# Índice de materias

<b>Instrucciones de seguridad</b> .....	<b>1</b>
<b>Información importante de instalación</b> .....	<b>2</b>
Paso 1: Requisitos de ventilación .....	3
Paso 2: Preparación de los armarios .....	4
Paso 3: Desempacar y mover la estufa .....	8
Paso 4: Quitar y reinstalar la puerta .....	10
Paso 5: Instalación del dispositivo antivuelco .....	12
Paso 6: Requisitos de gas y conexión del suministro de gas .....	14
Paso 7: Requisitos de alimentación y conexión eléctrica .....	16
Paso 8: Instalación de la consola trasera (opcional) .....	19
Paso 9: Colocar y nivelar la estufa .....	25
Paso 10: Pruebas y Ajustes de los quemadores .....	28
<b>Lista de chequeo del instalador</b> .....	<b>29</b>
<b>Limpieza y protección de las superficies exteriores</b> .....	<b>30</b>

Este electrodoméstico de THERMADOR® está hecho  
por BSH Home Appliances Corporation  
1901 Main Street, Suite 600  
Irvine, CA 92614

¿Preguntas?

1-800-735-4328

[www.thermador.com](http://www.thermador.com)

¡Esperamos oír de usted!

# Instrucciones de Seguridad



## Instrucciones Importantes De Seguridad

Lea Todas Las Instrucciones Antes De Continuar

Aprobado Para Todos Los Aparatos Residenciales

Únicamente Para Uso Residencial

**IMPORTANTE:** Guarde estas instrucciones para el inspector de la empresa proveedora de gas de su localidad.

**INSTALADOR:** Deje esas instrucciones de instalación con el aparato para el propietario.

**PROPIETARIO:** Guarde estas instrucciones para futuras referencias.



### ADVERTENCIA:



Desconecte la corriente antes de la instalación. Antes de prender la corriente, asegúrese de que todos los controles estén en la posición OFF.



### ADVERTENCIA:



Un niño o un adulto podrían volcar el aparato y perder la vida. Asegúrese de que el dispositivo antivuelco esté instalado adecuadamente y que su soporte retenga la pata del aparato al reinstalarlo en su sitio.

No utilice el aparato si el dispositivo antivuelco no está instalado. El hecho de no leer las instrucciones de este manual puede causar la muerte o graves quemaduras a niños y adultos.

Asegúrese de que el soporte antivuelco esté bien instalado y debidamente utilizado. Incline levemente la estufa por delante tirando de la parte posterior para asegurarse de que la pata del aparato esté bien enganchada en el soporte antivuelco y que el aparato no pueda volcar. La estufa no debería poder moverse más de una pulgada (2,5cm).

### IMPORTANTE:

Los códigos locales pueden variar. La instalación, las conexiones eléctricas y la toma de tierra deben cumplir con todos los códigos aplicables.

Para instalaciones en Massachusetts:

1. La instalación debe realizarse por un contratista, un plomero o un técnico de gas cualificado o autorizado por el estado, la provincia o región donde se está instalando este aparato.
2. La válvula de cierre debe ser un grifo de gas en T.
3. El conducto flexible de gas no debe medir más de 36 pulg. (914 mm).



### ADVERTENCIA:

No leer la información en este manual podría provocar un incendio o una explosión, y como resultado daños a la propiedad, lesiones o la muerte.

— No guarde o use materiales combustibles, gasolina u otros gases o líquidos inflamables cerca de este o cualquier otro aparato.

— QUÉ HACER EN CASO DE OLER A GAS

- No trate de encender ningún aparato.
- No toque ningún interruptor eléctrico.
- No use ningún teléfono en su casa.
- Llame de inmediato a su proveedor de gas desde el teléfono de algún vecino y siga las instrucciones de su proveedor de gas.
- Cuando no pueda localizar a su proveedor de gas, llame a los bomberos.

— Un instalador cualificado, una agencia de servicio autorizada o el proveedor de gas debe realizar la instalación y el servicio.

### NOTA:

Esta estufa NO está diseñada para una instalación en casas rodantes prefabricadas o en remolques usados en parques recreativos.

NO instale esta estufa afuera.

# Información Importante de Instalación

## Verificación del tipo de gas

Verifique el tipo de gas suministrado en el lugar donde se instala el aparato. Asegúrese de que el aparato esté conectado al tipo de gas para el cual está certificado.

Todos los modelos están certificados para un uso con gas natural o gas propano (LP). Asegúrese de que la estufa esté configurada para el tipo de gas disponible. Consulte el “Paso 6: Requisitos de gas y conexión del suministro de gas” antes de proceder a la instalación.

Todas las estufas están certificadas para un uso con gas natural. La conversión del aparato para un uso con gas propano requiere la instalación del juego de conversión proporcionado con la estufa (número de serie 553182). Solamente un instalador o un técnico cualificado deberían proceder a la conversión. Consulte las instrucciones del juego de conversión a propano para obtener toda la información necesaria para una instalación completa.



### ADVERTENCIA:

Para evitar un posible riesgo de quemaduras o fuego se debe instalar una consola trasera de protección diseñada específicamente para esta estufa antes de utilizarla.

### IMPORTANTE:

Cuando se instala sobre una superficie combustible, se debe usar una consola trasera baja o un estante alto. Se debe comprar por separado una consola trasera baja o un estante alto THERMADOR®.

Cuando se utiliza el adorno de isla THERMADOR, hace falta un espacio libre trasero mínimo de 12 pulg. (305 mm) entre el aparato y la superficie combustible (vea la Figura 1, Espacios libres para los armarios). Los espacios libres para las materias no combustibles no forman parte de la norma ANSI Z21.1 y no están certificados por la CSA. Los códigos locales o la autoridad local competente deben aprobar los espacios libres de menos de 12 pulg. (305 mm).

Consulte los Números de modelo para las consolas traseras en la página 24 para conocer los modelos de consolas que están diseñadas para esta estufa. Después de seleccionar una consola trasera apropiada, se debe instalar la estufa correctamente, usando los espacios libres mínimos entre la estufa y las superficies combustibles especificadas en el “Paso 2: Preparación de los armarios”.



### PRECAUCIÓN:

Cuando conecta el aparato a gas propano, asegúrese de que el tanque de gas propano venga con su propio regulador de alta presión además del regulador de presión que se incluye con la estufa. La máxima presión de gas de este aparato no debe exceder 14.0 pulgadas de columna de agua (34.9 mb) del tanque de gas propano al regulador de presión.



### PRECAUCIÓN:

El aparato sirve para cocinar. Basado en consideraciones de seguridad, nunca debe usarlo para calentar una habitación.

## Suministro de gas:

**Gas natural** — 6 pulgadas (14.9 mb) min. a 14 pulg. (34.9 mb) máx. de columna de agua.

**Gas propano** — 11 pulgadas (27.4 mb) min. a 14 pulg. (34.9 mb) máx. de columna de agua

## Alimentación eléctrica:

Vea el “Paso 7: Requisitos de alimentación y conexión eléctrica, y de toma de tierra” para obtener especificaciones.

Este aparato fue sometido a una prueba conforme a la norma ANSI Z21.1 (EEUU) para aparatos domésticos de gas y la norma canadiense CAN 1.1-M81 para aparatos domésticos de gas.

Revise el código de la construcción local para conocer el método correcto de instalación del aparato. La instalación, las conexiones eléctricas y la toma de tierra deben cumplir con todos los códigos locales. Los códigos locales varían e incumbe al instalador asegurarse de que la instalación se haga conforme a este código. A falta de códigos locales, se debe instalar el aparato conforme al Código Nacional de Gas Combustible ANSI Z223.1/NFPA 54 (EEUU), edición actual, y al Código Eléctrico Nacional ANSI/NFPA 70 (EEUU) edición actual. En Canadá, la instalación debe estar conforme a la norma CAN 1-B149.1 y .2 – códigos de instalación para aparatos de gas – o a los códigos locales vigentes.



Este aparato cumple con una o más de las siguientes normas:

- UL 858, Norma de seguridad para estufas eléctricas domésticas
- UL 923, Norma de seguridad para microondas
- UL 507, Norma de seguridad para ventiladores eléctricos
- ANSI Z21.1, Norma americana nacional para aparatos domésticos de gas
- CAN/CSA-C22.2 No. 113-10 – ventiladores
- CAN/CSA-C22.2 No. 61-08 – estufas domésticas

Incumbe al dueño y al instalador determinar si requisitos o normas adicionales se aplican a la instalación específica.

Recomendamos encarecidamente instalar este aparato con una campana adecuada (vea el “Paso 1: Requisitos de ventilación”). Teniendo en cuenta la capacidad de este aparato a producir altas temperaturas, se debería instalar la campana y los conductos conforme a los códigos de construcción.

Herramientas requeridas	
(2) llaves de ½ pulg.	Broca de 1/8 pulg. (3,17 mm)
Broca de 3/16 pulg. (4,76 mm)	Llave de boca ajustable de 12 pulg.
Taladro eléctrico o de mano	Cinta métrica
Destornillador plano o estrella	Lápiz u otro marcador
Nivel	Plataforma de ruedas
Destornillador Torx T-20	Guantes de protección
Elementos no incluidos	
Anclajes para yeso-cartón u hormigón	Compuesto/cinta para conducto
Cuerda/cordel	Conducto flexible de ¾ pulg. (19 mm)
Prensacables	

## Paso 1: Requisitos de ventilación

Recomendamos encarecidamente instalar una campana apropiada encima de la estufa para extraer el aire. No se debe utilizar una ventilación descendente. La tabla de abajo indica las campanas que se recomiendan con todas las estufas THERMADOR®.

### AVISO:

La mayor parte de las estufas tienen componentes combustibles que se deben tener en cuenta al planificar la instalación.

No instale una combinación microondas / ventilador encima de la estufa, ya que estos tipos de aparatos no proporcionan la ventilación apropiada y no convienen para un uso con la estufa.

### 1. Seleccionar la campana y el ventilador:

- Para instalaciones en la pared, la anchura de la columna debe ser por lo menos igual a la anchura de la estufa. Donde el espacio lo permite, se puede instalar una campana más ancha que la superficie de la estufa para que la campana funcione mejor.
- Para instalaciones de tipo isla, la campana colgada debe ser por lo menos 3 pulgadas (76 mm) más ancha de cada lado que la superficie de la estufa.

### 2. Colocar la campana:

- Para eliminar mejor el humo, el borde inferior de la campana debe estar a una distancia mínima de 30 pulg. (762 mm) encima de la superficie de la estufa (vea la “Figura 1: Espacio libre para los armarios”).
- Deje un espacio libre de un mínimo de 36 pulg. (914 mm) si la campana está hecha de materiales combustibles, como madera (vea la Figura 1).

### 3. Considere una fuente de aire de recambio:

- Debido al alto volumen de aire de ventilación requerido, se recomienda tener una fuente externa de aire. Esto es sumamente importante para hogares bien sellados y aislados.
- Debe consultar a un contratista cualificado en calefacción y ventilación.

### IMPORTANTE:

Las campanas de ventilación y los ventiladores están diseñados para usarse con conductos sencillos de pared. Sin embargo, algunos códigos locales de construcción o inspectores de obras pueden requerir conductos dobles de pared. Consulte los códigos locales de construcción o con las agencias locales antes de comenzar para estar seguro de que la instalación de la campana y de los conductos cumple con los requisitos locales.

Anchura de la estufa	Configuración de la superficie de la estufa	Pie cúbico por minuto (requisito mínimo)	Opciones de ventilación
36"	4 quemadores con una plancha	800 pi <sup>3</sup> /min.	Campana Pro Wall de 36" o 42" Adorno personalizado de 36" con ventilador opcional
	6 quemadores	1100 pi <sup>3</sup> /min.	Campana tipo isla de 42" o 48" con ventilador opcional
48"	6 quemadores con una plancha	1200 pi <sup>3</sup> /min.	Campana Pro Wall de 48" o 54" Adorno personalizado de 48" con ventilador opcional

#### Notas importantes:

Con las estufas PROFESIONAL de THERMADOR®, se recomienda la utilización de una campana de pared o de isla o un adorno personalizado PROFESSIONAL de THERMADOR. Visite el [www.thermador.com](http://www.thermador.com) para una gama completa de opciones de ventilación, sopladores y accesorios PROFESSIONAL.

\*Para estufas de gas de alto rendimiento (60,000 BTU o más), se recomienda un mínimo de 1 pi<sup>3</sup>/min. de ventilación para cada 100 BTU. Si la estufa viene equipada con una plancha, agregue 200 pi<sup>3</sup>/min. a la capacidad estimada del ventilador. Una capacidad mayor de ventilación puede ser necesaria para conductos más largos.

Para las instalaciones de tipo isla, se recomienda la utilización de campanas 6 pulg. (152 mm) más anchas que la estufa, 3 pulg. (76 mm) de cada lado.

pi<sup>3</sup>/min. = "pie cúbico por minuto" (clase de capacidad estándar para sopladores).

## Paso 2: Preparación de los armarios

- La estufa es un aparato aislado e independiente. Si desea colocar el aparato junto a armarios, debe instalarla dejando los espacios libres que se muestran en la "Figura 1: Espacio libre para los armarios". Los mismos espacios libres se aplican a instalaciones tipo isla, excepto por los armarios colgados, que deben tener un espacio suficientemente ancho para aceptar la campana de isla acampanada.
- El suministro de gas y la alimentación eléctrica deben estar dentro de la zona indicada en la Figura 3.
- Se deben sellar todas las aberturas situadas en la pared detrás de la estufa y en el piso debajo de la estufa.
- Cuando se instala sobre una superficie combustible, se debe usar una consola trasera baja o un estante alto. Se debe comprar por separado una consola trasera baja o un estante alto THERMADOR®. Vea el paso 8 para obtener información sobre la consola trasera, los kits y la instalación.
- Cuando se utiliza el adorno de isla THERMADOR, hace falta un espacio libre trasero mínimo de 12 pulg. (305 mm) entre el aparato y la superficie combustible (vea la Figura 1, Espacios libres para los armarios). Los espacios libres para las materias no combustibles no forman parte de la norma ANSI Z21.1 y no están certificados por la CSA. Los códigos locales o la autoridad local competente deben aprobar los espacios libres de menos de 12 pulg. (305 mm).

- Cuando la estufa se instala sobre una pared combustible, se requiere un espacio libre de un mínimo de 5 pulg. (127 mm) entre la estufa y la pared.
- Siempre mantenga la zona alrededor del aparato limpia y no deje materiales combustibles, gasolina y otros gases y líquidos inflamables cerca del aparato.
- No obstruya el flujo del aire de combustión y de ventilación del aparato.
- La máxima profundidad de los armarios colgados de cualquier lado de la campana es de 13 pulg. (330 mm).

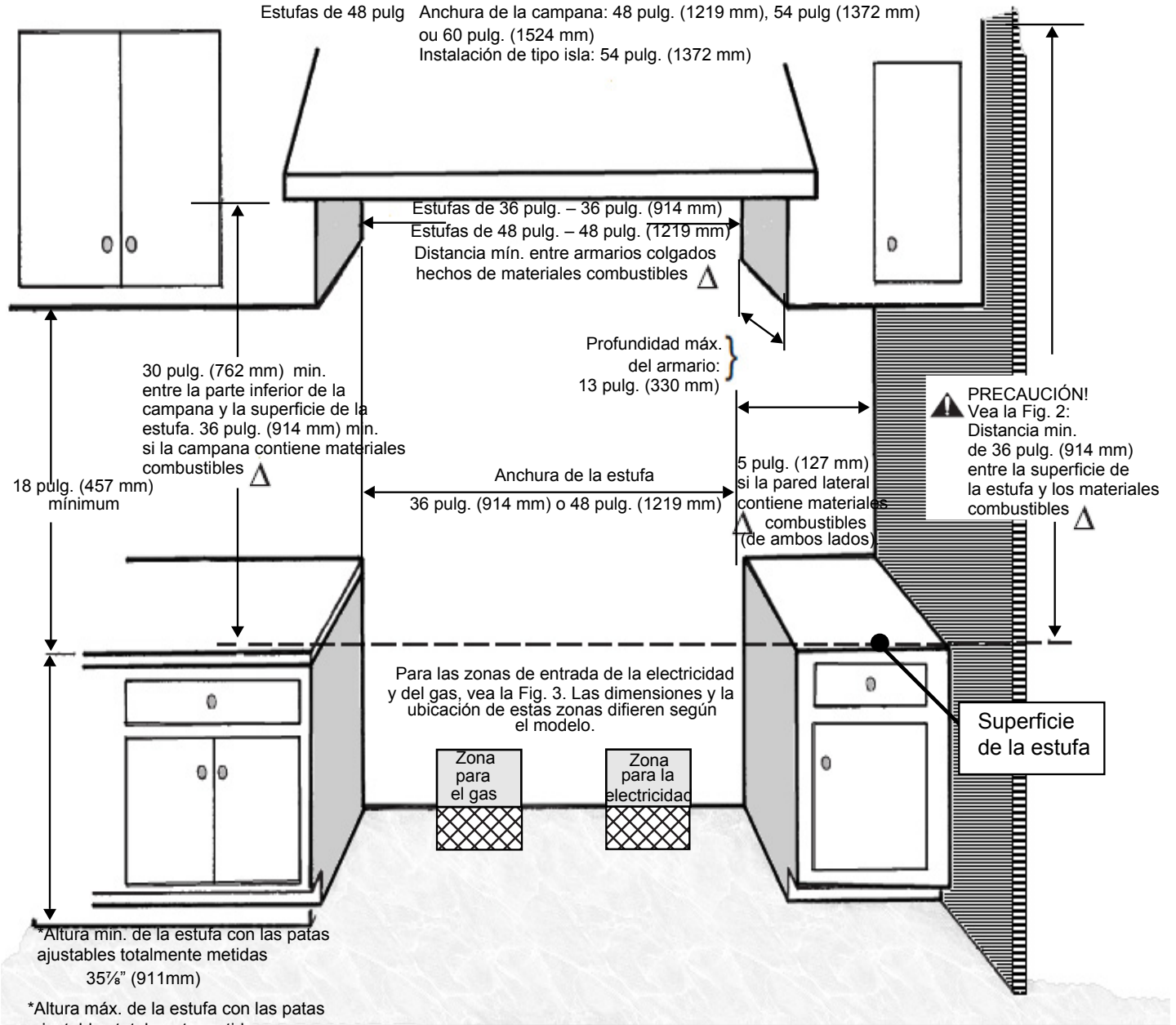
Se necesita un espacio libre mínimo de 36 pulgadas (914 mm) entre la superficie de la estufa y la parte inferior de un armario no protegido. Se puede usar un espacio libre de 30 pulg. (762 mm) cuando el fondo de un armario de madera o de metal esté protegido por un material ignífugo de un grosor mínimo de ¼ de pulgada (6,35 mm) cubierto por una lámina de acero 28 MSG, de acero inoxidable con un grosor de 0,015 pulgada (0,4 mm), de aluminio con un grosor de 0,024 pulgad (0,6 mm), o de cobre con un grosor de 0,020 pulgada (0,5 mm).

Los materiales ignífugos llevan la marca siguiente: UNDERWRITERS LABORATORIES INC. CLASSIFIED MINERAL Y FIBER BOARDS SURFACE BURNING CHARACTERISTICS. Esta indicación está seguida por el índice de propagación de las llamas y del humo. Estas designaciones aparecen como "FHC". Los materiales que tienen un índice de propagación de llamas de "0" son ignífugos. Los códigos locales pueden permitir índices de propagación de las llamas diferentes. Incumbe al dueño y al instalador asegurarse de que la instalación se haga conforme a este índice.

# Espacios libres para la instalación

Estufas de 36 pulg. Anchura de la campana: 36 pulg. (914 mm) o 42 pulg. (1067 mm)  
 Instalación de tipo isla: 42 pulg. (1067 mm) o 48 pulg. (1219 mm)

Estufas de 48 pulg. Anchura de la campana: 48 pulg. (1219 mm), 54 pulg. (1372 mm)  
 ou 60 pulg. (1524 mm)  
 Instalación de tipo isla: 54 pulg. (1372 mm)



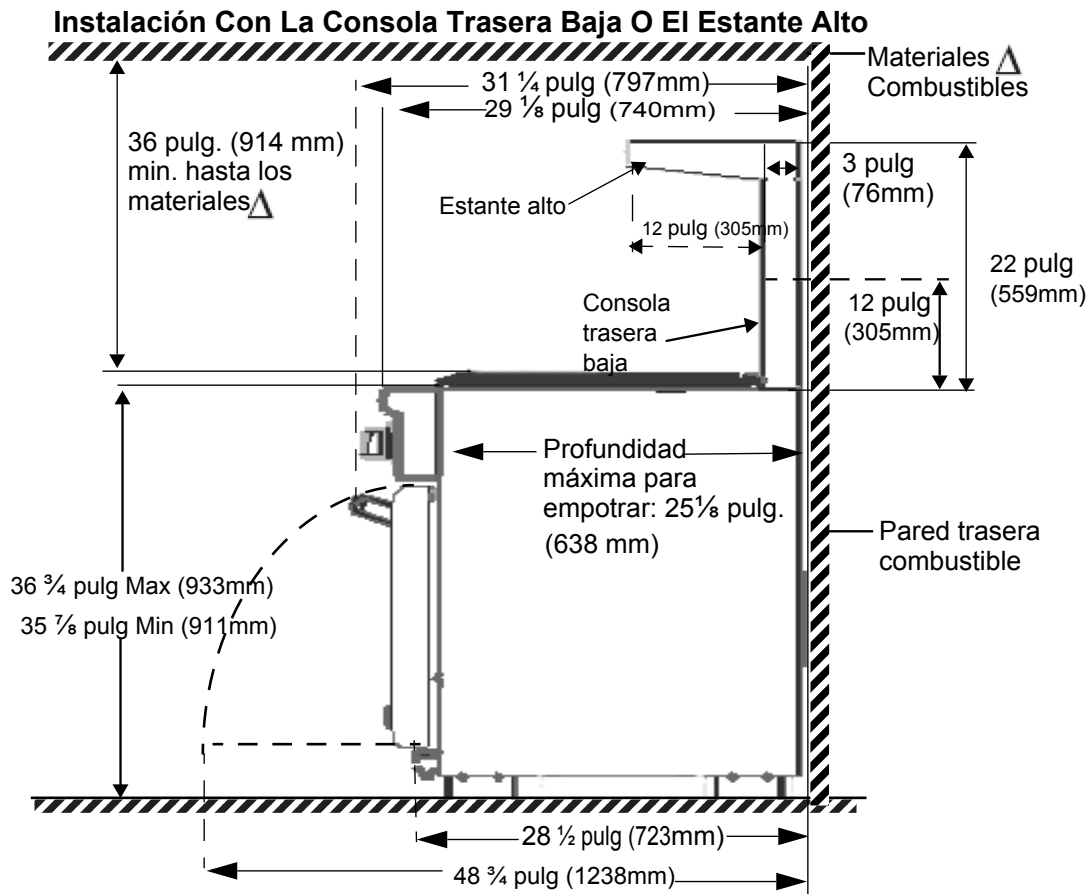
$\Delta$  Tal como se define en el "Código Nacional de Gas Combustible" ANSI Z223.1, edición actual. Los espacios libres para las materias no combustibles no forman parte de la norma ANSI Z21.1 y no están certificados por la CSA. Los códigos locales o la autoridad local competente deben aprobar los espacios libres de menos de 12 pulg. (305 mm).  
 \*La altura de la estufa es ajustable. La superficie de la estufa debe estar a un nivel igual o superior al de la encimera.



## PRECAUCIÓN:

No instale las estufas de tal modo que la puerta de la hornilla esté perfectamente alineada con la parte delantera de los armarios. Las altas temperaturas de la hornilla podrían dañar los armarios.

Figura 1: Espacio libre para los armarios



$\Delta$  Tal como se define en el "Código Nacional de Gas Combustible" ANSI Z223.1, edición actual. Los espacios libres para las materias no combustibles no forman parte de la norma ANSI Z21.1 y no están certificados por la CSA. Los códigos locales o la autoridad local competente deben aprobar los espacios libres de menos de 12 pulg. (305 mm).

### Instalación Con El Adorno Tipo Isla Includida

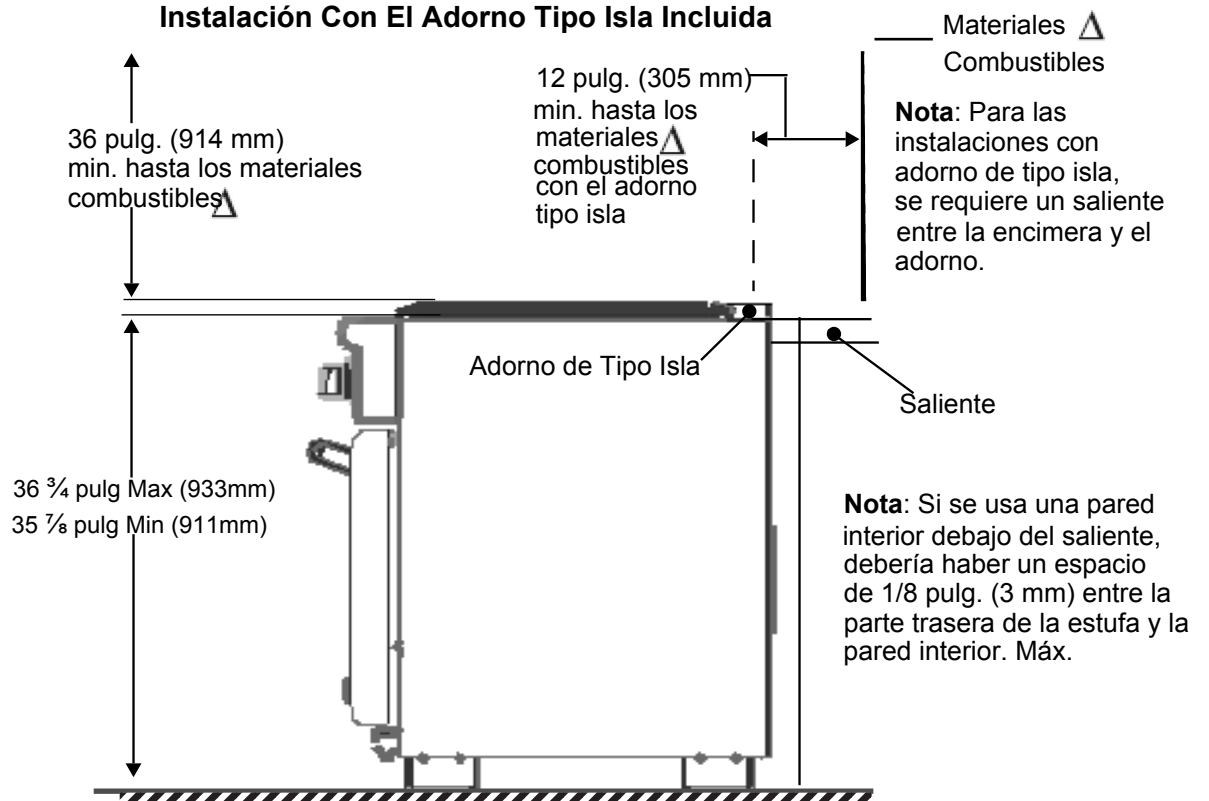


Figura 2: Vista lateral de los espacios libres

## ZONAS DE SUMINISTRO DE GAS Y ALIMENTACIÓN ELÉCTRICA

Modelo	A	B	C	D
36 pulg (913mm)	9 <sup>1</sup> / <sub>8</sub> pulg (232mm)	7 <sup>3</sup> / <sub>8</sub> pulg (187mm)	7 <sup>3</sup> / <sub>8</sub> pulg (187mm)	9 <sup>1</sup> / <sub>8</sub> pulg (232mm)
48 pulg (1219mm)	23 <sup>1</sup> / <sub>8</sub> pulg (587mm)	7 pulg (178mm)	7 pulg (178mm)	7 <sup>7</sup> / <sub>8</sub> pulg (200mm)

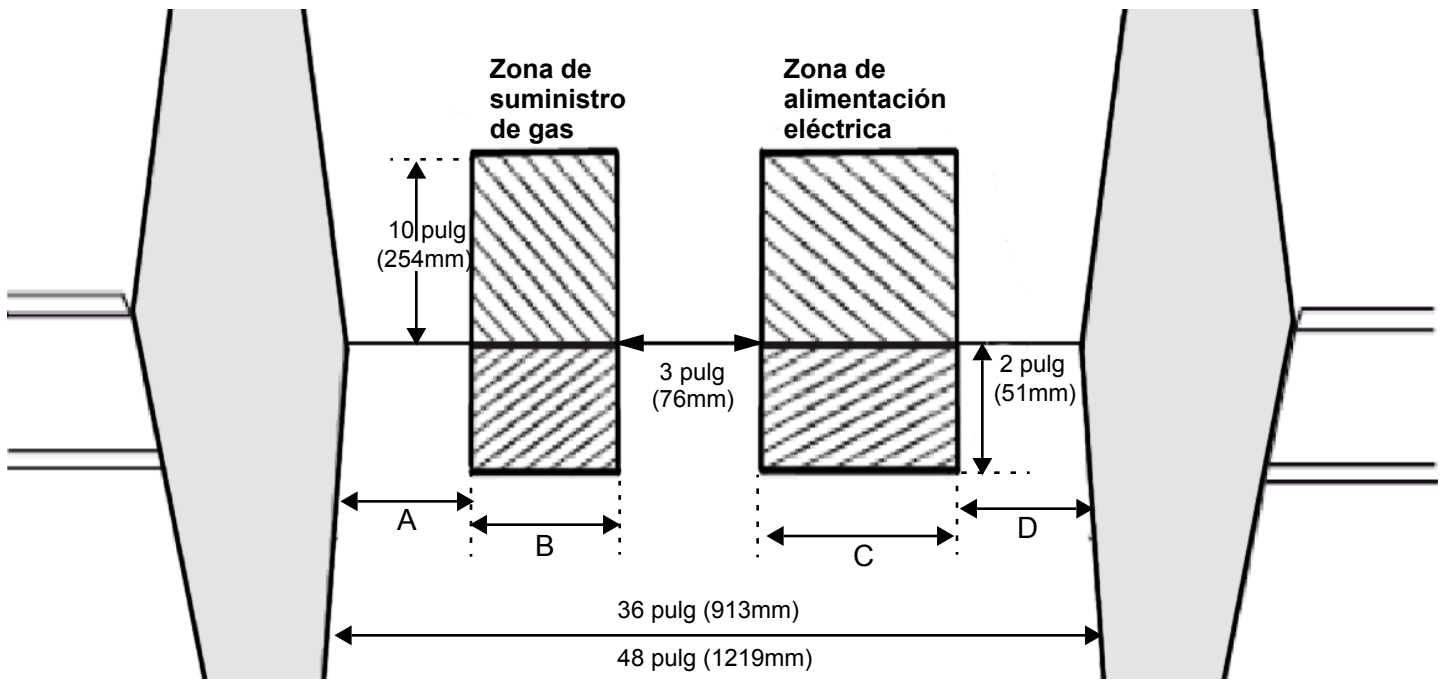


Figura 3: Suministro de gas y alimentación eléctrica de las estufas mixtas

### NOTA:

- Si aún no existe, instale una válvula manual de cierre de gas en un lugar de fácil acceso.
- Asegúrese de que todos los usuarios sepan dónde y cómo cerrar el suministro de gas de la estufa.
- Se deben sellar todas las aberturas situadas en la pared detrás de la estufa y en el piso debajo de la estufa.

Se puede conectar la estufa de gas a la fuente de alimentación eléctrica con un cable eléctrico (proporcionado con la estufa) o mediante una conexión directa a la fuente de alimentación. Es responsabilidad del instalador proporcionar los componentes correctos del cableado (cable o conducto y alambres) y conectar el aparato al gas conforme a los códigos y regulaciones locales, o al Código Eléctrico Nacional. La toma de tierra de los aparatos se debe hacer adecuadamente. Consulte el "Paso 7: Requisitos de alimentación y conexión eléctrica, y de toma de tierra".

### Se debe conectar la estufa solamente al tipo de gas

**para el cual está certificada.** Cuando conecte el aparato a gas propano, asegúrese de que el tanque de gas propano venga con su propio regulador de alta presión además del regulador de presión que se incluye con la estufa (vea el "Paso 6: Requisitos de gas y conexión del suministro de gas").

### NOTA:

La estufa está diseñada para estar nivelada casi perfectamente con la pared trasera. Para lograr una instalación exitosa, puede ser necesario que tenga que volver a colocar la línea de suministro de gas y los cables eléctricos según va empujando la estufa hacia su posición final.

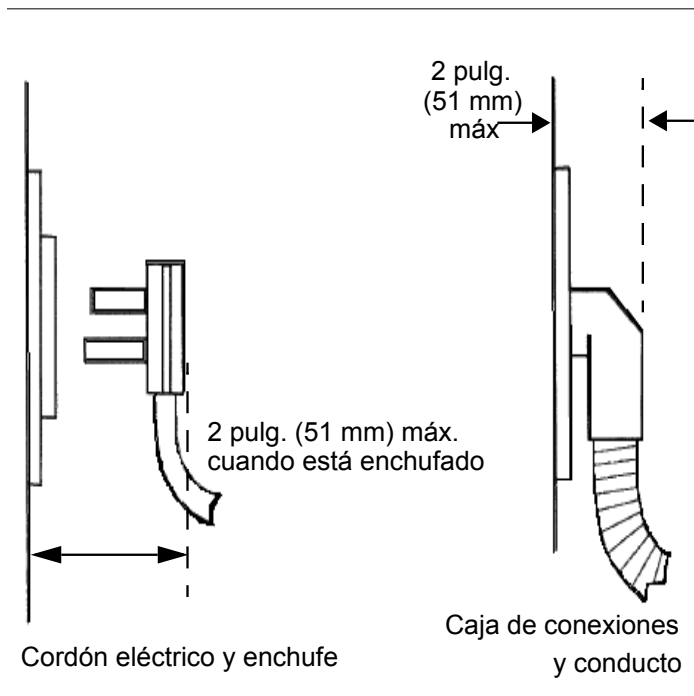
- **SUGERENCIAS:** Para conseguirlo, le sugerimos jalar cuidadosamente el suministro de gas y el cable eléctrico con una cuerda o un cordel mientras empuja la estufa hacia su posición final.

## Alimentación Eléctrica

Se debe planear la instalación de la estufa de tal modo que la placa de la caja de conexiones del enchufe o de la conexión al gas deje el máximo espacio libre detrás del aparato.

Cuando se conecta el cable de alimentación o el conducto al receptáculo de acoplamiento o a la cubierta de la caja de conexiones, el conector enchufe / receptáculo o la cubierta de la caja de conexiones / conducto no debe salir más de 2 pulg. (51 mm) de la pared trasera (vea la *Figura 4*).

Vea la *Figura 15* para conocer la ubicación de la caja de conexiones en el aparato. Para minimizar amarres una vez que el aparato está conectado al enchufe o a la caja de conexiones, oriente el enchufe o el conector de conductor y deslícelo hasta su posición original.



**Figura 4: Conexión en la pared**

## Paso 3: Desempacar y mover la estufa



### PRECAUCIÓN:



La estufa es pesada y se debe manejar en consecuencia. Para evitar lesiones y no dañar el aparato o el piso, se debe utilizar el equipo apropiado y por lo menos dos personas equipadas adecuadamente para mover la estufa. Dichas personas deben llevar guantes de protección y evitar llevar anillos, relojes u otros objetos parecidos que pueden dañar o engancharse en el aparato.

Las superficies ocultas del aparato pueden tener salientes cortantes. Tenga cuidado al sujetar el aparato por debajo o por atrás.



### PRECAUCIÓN:



No use una carretilla de mantenimiento manual o un carro para electrodoméstico en las partes frontal o trasera del aparato. Úselos únicamente en los lados.

La estufa tiene un peso de expedición parecido al peso indicado en la tabla A. Se deben quitar las rejillas, la plancha, las tapas de los quemadores y las rejillas de la hornilla para facilitar el manejo. No quite el elemento de la plancha y el ensamblaje de la plancha.

1. Quite la caja exterior de cartón y el material de empaque de la plataforma de expedición, pero deje las láminas de espuma adhesivas encima de las superficies de metal cepillado para proteger el acabado contra los rasguños hasta colocar la estufa en su posición final.



Quite todas las cintas y el material de empaque antes de usar el aparato. Recicle todo el material de empaque ya que todo lo que utiliza THERMADOR® para empacar sus aparatos es reciclable. Nunca permita que niños jueguen con el material de empaque.

2. Quite la(s) puerta(s) (vea el "*Paso 4: Quitar y reinstalar la puerta*"); sin embargo, no quite el cajón calentador o la puerta de la hornilla al vapor. Esto reducirá considerablemente el peso del aparato, como se muestra en la Tabla A, y permitirá a la estufa entrar por en puertas de 30 pulg. (762 mm) (vea los espacios libres mencionados).



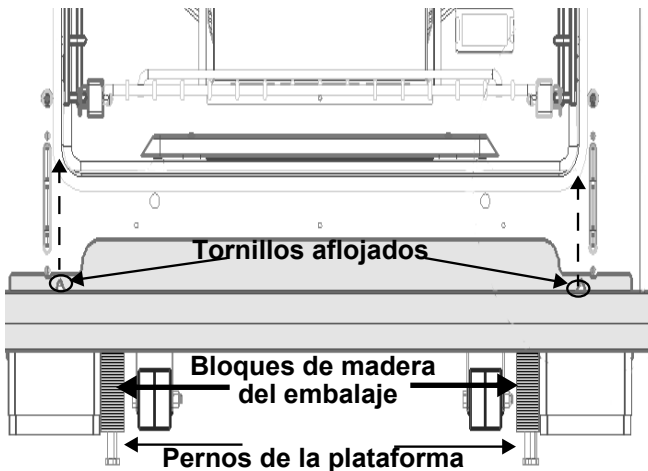
Tabla A	36 pulg Range	48 pulg Range
Peso de expedición	420 lbs (191 kg)	590 lbs (268 kg)
Peso sin material de empaque	360 lbs (163 kg)	530 lbs (240 kg)
Peso sin puerta, tapas de quemadores y rejillas de la hornilla	260 lbs (118 kg)	390 lbs (177 kg)



**IMPORTANTE:**

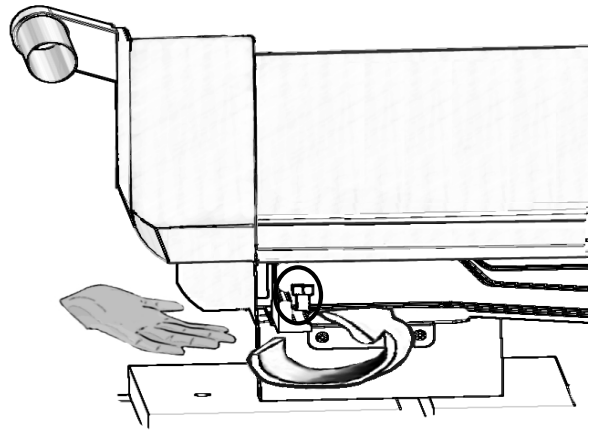
**NO** levante la estufa por la agarradera de la puerta, ya que esto puede dañar las bisagras de la puerta y causar que la puerta ya no quepa bien en la cavidad de la hornilla.

- Todas las estufas están sujetadas a la plataforma con cuatro (4) pernos fijados a bloques de madera (vea la *Figura 5*). Se puede acceder a los dos pernos de la plataforma solamente después de haber quitado el adorno de la puerta, situado debajo de las puertas.
  - Para quitar el adorno, afloje los dos tornillos que le sujetan al aparato y empújelo hacia arriba.



**Figura 5: Adorno de Puerta, Bloques de Embalaje y Perno de la Plataforma**

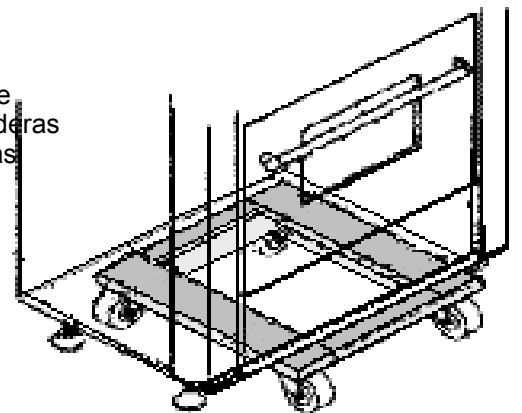
- Después de quitar los pernos de la plataforma de expedición con dos llaves de ½ pulg. (13 mm) – una para sujetar el perno de la base, otra para destornillar el perno de arriba – y de tirar los bloques de madera del embalaje, apoye cuidadosamente la estufa en las dos ruedas de las patas traseras para quitarla de la plataforma de expedición. Si hace falta, pídele a alguien que le ayude a quitar la plataforma de expedición.
  - Modelos PRDS48JDSGU/C:** Para tener acceso a los pernos de la plataforma de expedición situados debajo del cajón calentador, alcance la tuerca detrás y sobre la estructura del aparato y sujétela con una llave de ½ pulg. (vea la *Figura 6*). Use otra llave para aflojar la tuerca situada abajo. **NO** quite el cajón calentador.



**Figura 6: Quite la tuerca del cajón calentador situada en la plataforma de expedición.**

- Debido al peso de la estufa, se debe usar una plataforma de ruedas suaves o un ascensor hidráulico para transportar este aparato. Se debe repartir el peso uniformemente en la plataforma (vea la *Figura 7*).

La estufa debe estar apoyada uniformemente en las abrazaderas proporcionadas en la base del aparato.



**Figura 7: Posicionamiento de la Plataforma de Ruedas**

- Después de transportar la estufa profesional por medio de la plataforma cerca de su destino final, incline la estufa para que descansa sobre las ruedas traseras y saque la plataforma de ru “Paso 5: Instalación del dispositivo antivuelco”, “Paso 6: Requisitos de gas y conexión del suministro de gas”, “Paso 7: Requisitos de alimentación y conexión eléctrica, y de toma de tierra” y “Paso 8: Instalación de la consola trasera (opcional)” antes de instalar la estufa en su posición final.
- Use las ruedas de las patas traseras para instalar el aparato cerca de su destino final. **PROTEJA EL PISO DEBAJO DE LAS PATAS ANTES DE EMPUJAR EL APARATO EN SU POSICIÓN FINAL**

## Paso 4: Quitar y reinstalar la puerta



### PRECAUCIÓN:

- Asegúrese de que la hornilla esté fría y que la corriente esté desconectada antes de quitar la puerta. De otro modo podría recibir una descarga eléctrica o quemarse.
- La puerta de la hornilla pesa mucho y es frágil. Use ambas manos para quitar o reinstalar la puerta.
- Si no agarra la puerta de la hornilla firme y correctamente, podría lesionarse o dañar el producto.
- Nunca suelte la agarradera de la puerta de la hornilla para intentar cerrar las bisagras cuando ha quitado la puerta. Sin el peso de la puerta, los poderosos resortes cerrarán las bisagras con mucha fuerza.

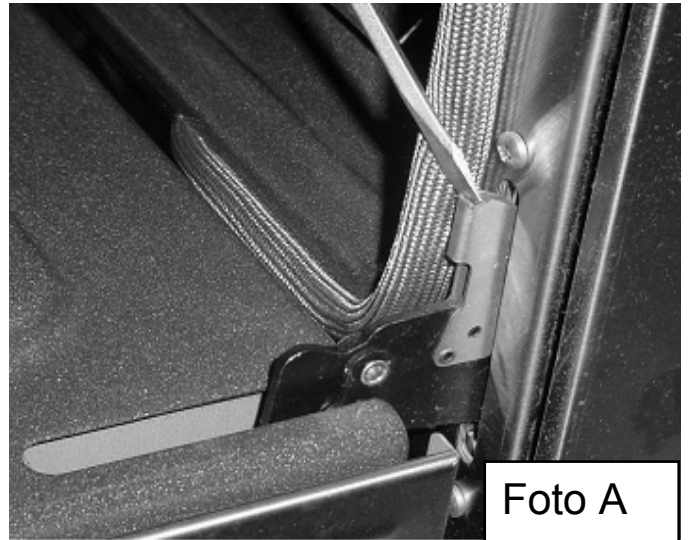


Foto A

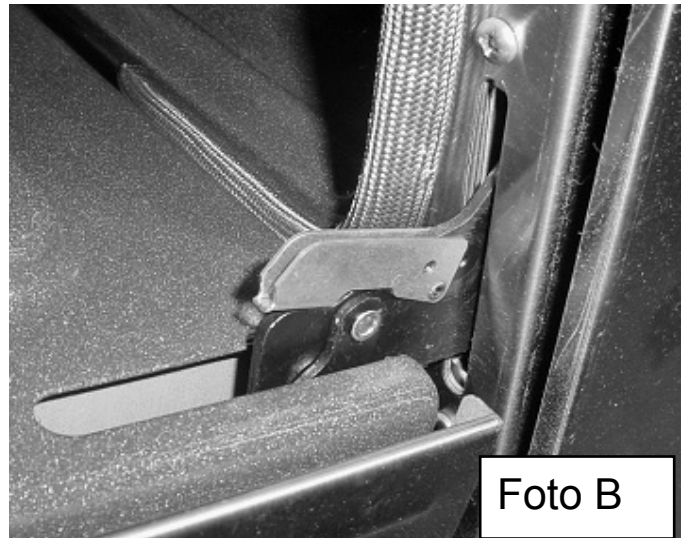


Foto B

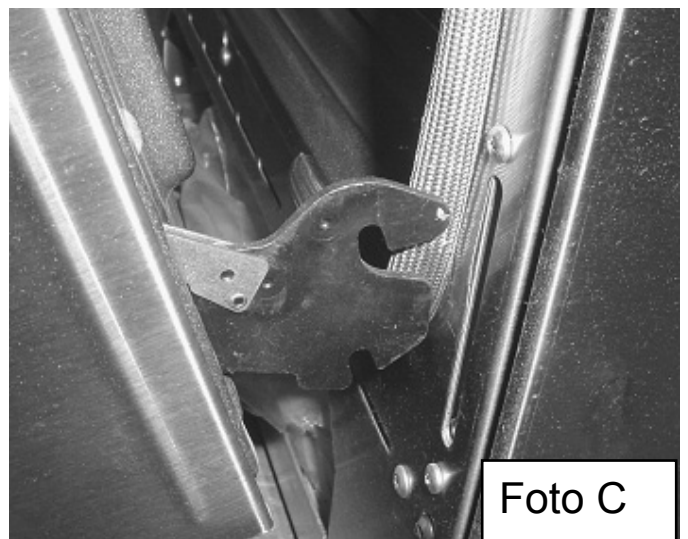


Foto C

### Para quitar la puerta de la hornilla:

- Abra la puerta completamente y use un destornillador para abrir los soportes de las bisagras (Foto A).
- Voltee los soportes de las bisagras hacia abajo (Foto B).
- Cierre la puerta hasta que se detenga contra los soportes de las bisagras. Estos mantienen la puerta entreabierta.
- Agarre la puerta de los extremos de la agarradera y levántela (los resortes ofrecerán un poco de resistencia). Cuando la parte delantera de la puerta esté suficientemente alta para que las muescas salgan de las bisagras, puede jalar y sacar la puerta del aparato (Foto C). Guarde la puerta en un lugar seguro y estable.

## Para reinstalar la puerta de la hornilla:

1. Coloque la puerta en el ángulo adecuado (*Figura 8*) e inserte las bisagras en las ranuras. Las bisagras se engancharán firmemente en las ranuras si se instala adecuadamente la puerta. No fuerce o tuerza la puerta.
  - Truco: Apoye la puerta sobre su pie y use su pierna para estabilizarla.
2. Abra completamente la puerta y use un destornillador para empujar los soportes de las bisagras hasta el fondo de las ranuras (hacia la hornilla). Tenga cuidado para no arañar la estufa durante este proceso.

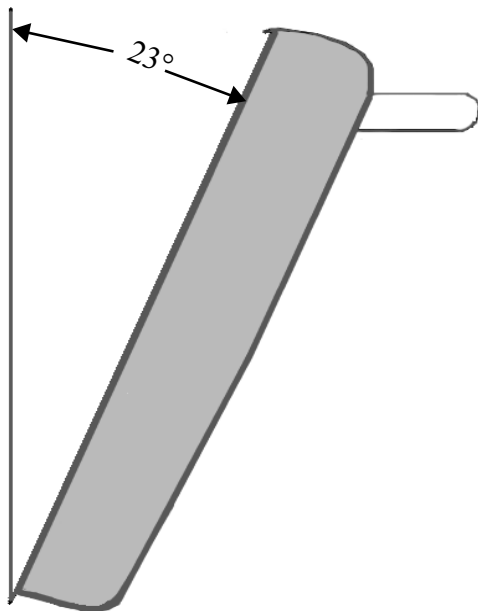


Figura 8: Ángulo aproximativo necesario para quitar la puerta.

## Verificación de la instalación y del funcionamiento de la puerta

1. Abra y cierre la puerta lentamente para asegurarse de que se mueva normalmente y que esté ajustada a la cavidad de la hornilla. No fuerce para abrir o cerrar la puerta. Si está bien instalada, debería moverse fácilmente y, cuando está cerrada, estar alineada con la parte frontera de la hornilla.
2. Si no funciona adecuadamente, asegúrese de que las bisagras descansen en sus ranuras y que los soportes estén en el fondo de las ranuras.

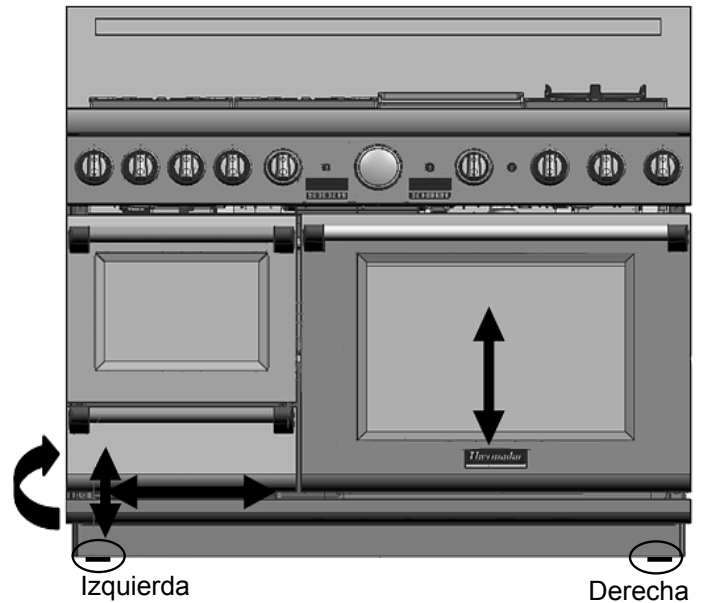


Figura 9: Alineamiento de las puertas de las estufas de vapor de 48 pulg. con cajón calentador

3. Para las grandes y pequeñas hornillas, si la puerta o la agarradera parecen levemente desniveladas, puede ajustar su inclinación apretando o aflojando el tornillo Torx de la bisagra con un gran destornillador Torx T-20. El tornillo se encuentra directamente encima de la ranura de la bisagra. Apriétela o aflójela según el ajuste que haga falta para alinear correctamente la puerta (*Figura 10*).

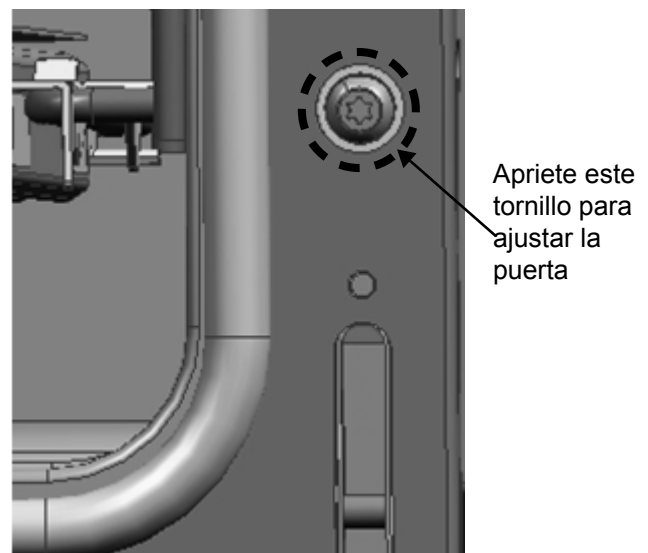


Figura 10: Tornillo de ajuste de la bisagra

## Nivelación de las patas ajustables

La estufa debe estar nivelada para que se puedan alinear correctamente sus puertas. Todos los modelos tienen cuatro (4) patas ajustables, una debajo de cada esquina, que están enroscadas en la estructura de base de aluminio. Girando la pata ajustable delantera izquierda, se obtendrá el efecto contrario. (Vea también el paso 9: “Colocar y nivelar la estufa”.)

## Ajuste de la parte frontal del cajón calentador

1. Para ajustar el ángulo de inclinación del cajón calentador, de forma que la cara delantera esté a ras de la cara delantera de la puerta de la estufa de vapor, afloje los dos (2) tornillos de ambos lados del cuadro del cajón. Cuando tenga la inclinación correcta, apriete los tornillos.
2. Para ajustarlo vertical y horizontalmente de forma que haya una separación uniforme entre las puertas de la estufa, afloje los cuatro (4) tornillos de la parte trasera de la puerta del cajón calentador. Ajuste la altura de la puerta del cajón calentador para que la parte inferior corresponda a la parte inferior de la puerta de la estufa principal. Ajuste la puerta del cajón calentador lateralmente para que esté alineada con la puerta de la estufa de vapor. Cuando las separaciones están iguales, apriete los tornillos.

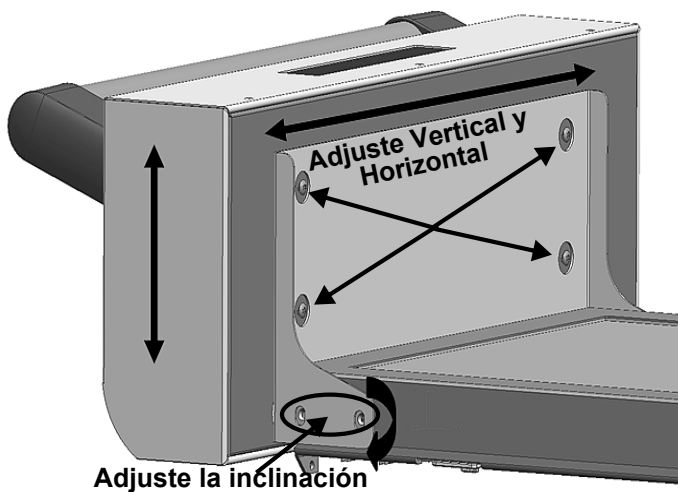


Figura 11: Ajuste de la parte frontal del cajón calentador

**Nota:** La puerta de la estufa de vapor no es ajustable.

## Paso 5: Instalación del dispositivo antivuelco



### ADVERTENCIA:

#### RIESGO DE VUELCO DE LA ESTUFA:

- Para prevenir el vuelco accidental de la estufa, fjela al piso con el dispositivo antivuelco proporcionado.
- Si no se instala el aparato de acuerdo con estas instrucciones, el aparato podría volcar. Se debe instalar, conforme a estas instrucciones, un dispositivo antivuelco con todas las estufas.

Cuando jale la estufa de la pared por motivos de limpieza, servicio u otra razón, asegúrese de volver a insertar correctamente el dispositivo antivuelco cuando empuje la estufa contra la pared. Sino, en el caso de un uso poco normal de la estufa (por ejemplo si alguien trepa, se sienta o se apoya sobre una puerta abierta), ésta podría volcarse. El hecho de ignorar esta precaución puede causar el vuelco de la estufa, lo que podría causar lesiones debido a líquidos calientes derramados o al peso mismo de la estufa.



### ADVERTENCIA:

#### RIESGO DE DESCARGA ELÉCTRICA

- Tenga mucho cuidado cuando perfore orificios en una pared o en el piso ya que puede haber cables eléctricos ocultos.
- Identifique los circuitos eléctricos que podrían encontrarse en el sitio donde se instalará el dispositivo antivuelco y apague la corriente de estos circuitos.
- La falta de observar estas instrucciones puede causar una descarga eléctrica o lesiones graves.

#### PRECAUCIÓN — DAÑOS A LA PROPIEDAD:

- Contacte a un instalador o contratista cualificado para determinar el mejor método para perforar los orificios a través de la pared o del piso teniendo en cuenta el material (cerámica, madera dura, etc.).
- No deslice la estufa sobre un piso desprotegido.
- Si no lee estas instrucciones podría dañar la pared o la superficie del piso.



## Herramientas necesarias para la instalación del dispositivo antivuelco:

- Destornillador Phillips
- Taladro eléctrico o de mano
- Cinta métrica o regla
- Broca de 1/8 pulg. (3,175 mm) (para pared y piso de madera o de metal)
- Broca de hormigón de 3/16 pulg. (4,76 mm) con punta de carburo (para pared o piso de hormigón o de bloques de hormigón)
- Cuatro anclajes de 3/16 pulg. (4,76 mm), para muro de yeso-cartón o de hormigón (no se requieren cuando el soporte del dispositivo antivuelco está fijado a una superficie sólida de madera o metal)
- Martillo
- Lápiz u otro marcador

No de pieza – Atención al cliente de THERMADOR	Cantidad	Descripción
415078	4	Tornillos Phillips, #10 x 1½ pulg.
655355	1	Soporte antivuelco



### ADVERTENCIA:



- Un niño o un adulto podrían volcar el aparato y perder la vida.
- Asegúrese de que el dispositivo antivuelco esté instalado adecuadamente y que su soporte retenga la pata del aparato, conforme a las instrucciones de instalación.
- Asegúrese de que el dispositivo antivuelco retenga la pata del aparato al reinstalarlo en su sitio.
- No utilice el aparato si el dispositivo antivuelco no está instalado y no retiene el aparato.
- El hecho de no leer las instrucciones de este manual puede causar la muerte o graves quemaduras a niños y adultos.

Consulte las otras instrucciones de instalación.

## Información de instalación importante:

- Si se fija el soporte antivuelco a un armario de madera sólido, su pared deber tener un grosor mínimo de ¾ pulg. (19 mm). El grosor de la pared o del piso puede requerir tornillos más largos, disponibles en su ferretería local.
- Use los anclajes apropiados cuando fije el soporte antivuelco a cualquier material que no sea madera o metal.
- En todos los casos, se deben fijar al menos dos (2) tornillos de fijación para instalarlo en el piso o dos tornillos de fijación (o anclajes par muro de yeso-cartón) para fijarlo en la pared situada detrás del aparato (vea las *Figura 12* y *Figura 13*).

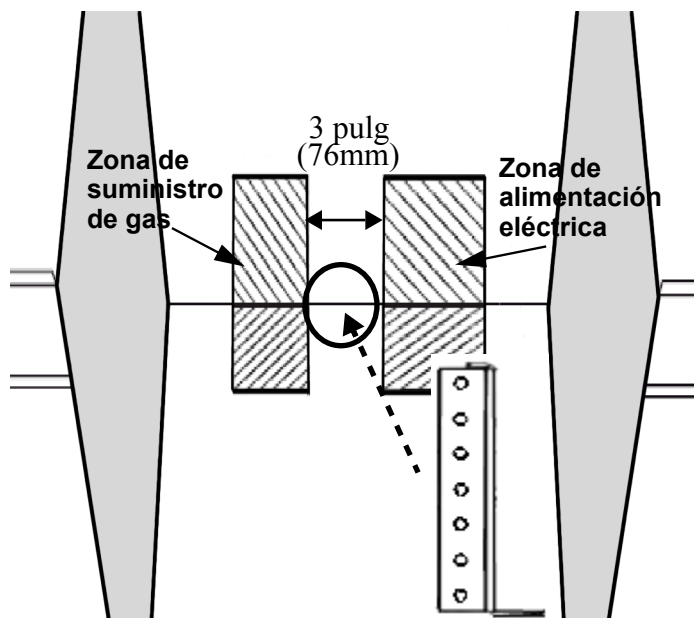


Figura 12: Ubicación para la instalación del dispositivo antivuelco

## Montaje del soporte antivuelco

1. Prepare los orificios según las indicaciones siguientes:
  - Para paredes, travesaños de pared o pisos hechos de madera dura o de metal, perforo orificios de 1/8 pulg. (3,17 mm).
  - Para paredes o pisos hechos de yeso u otros materiales suaves, perforo orificios de 3/16 pulg. (4,76 mm) a una profundidad mínima de 1-¾ pulg. (44 mm), luego inserte un anclaje de plástico en cada orificio usando un martillo.
  - Para paredes o pisos hechos de cemento o de bloques de hormigón, perforo orificios de 3/16 pulg. (4,76 mm) a una profundidad mínima de 1-¾ pulg. (44 mm), luego inserte un anclaje para hormigón en cada orificio usando un martillo.

- Para paredes o pisos de cerámica, perforo orificios de 3/16 pulg. (4,76 mm) solamente a través del azulejo, luego perforo el material detrás del azulejo como se indica arriba.
  - Coloque el soporte en el piso, cerca del centro del sitio donde se instalará el aparato (Figura 12).
    - Si se desplaza la estufa a un nuevo lugar, se debe quitar y reinstalar el dispositivo antivuelco.
2. Fije el soporte en el travesaño de pared o en el piso con los tornillos proporcionados.
  3. Luego, cuando el aparato está instalado, las patas ajustables permitirán a la base moldada de deslizarse debajo del gancho del soporte para estabilizar el aparato.

Cuando el aparato está instalado en su posición final, el “gancho” del soporte antivuelco se engancha justo encima de la base moldada de aluminio, situada detrás de la estufa.

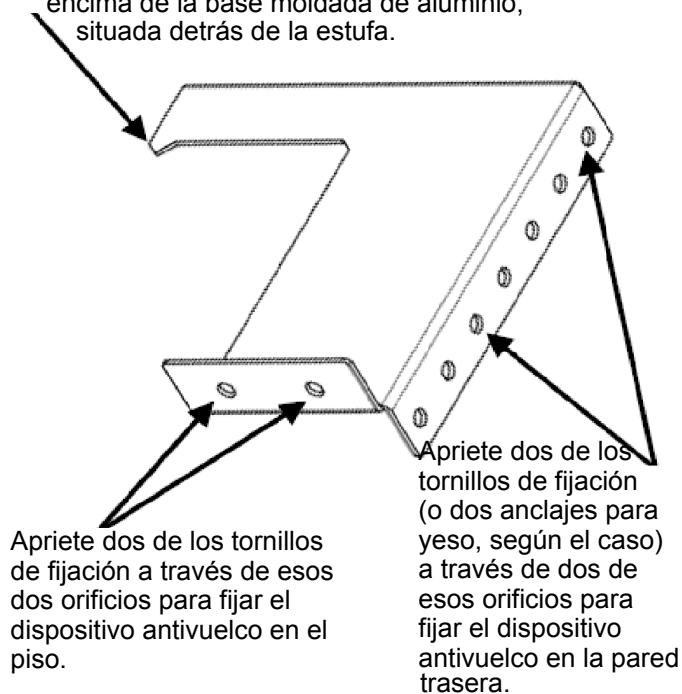


Figura 13: Soporte antivuelco

## Paso 6: Requisitos de gas y conexión del suministro de gas

Verifique el tipo de gas que se está usando en el lugar de instalación. Asegúrese de que la estufa corresponda al tipo de gas disponible en el sitio donde se instala. Cuando salen de la fábrica, los aparatos vienen configurados para un uso con gas natural y se debe convertir para un uso con gas propano.

La conversión del aparato para un uso con gas propano requiere la instalación del juego de conversión proporcionado con la estufa (número de serie 553182). Solamente un instalador o un técnico cualificado deberían proceder a la conversión. Consulte las instrucciones del juego de conversión a propano para obtener toda la información necesaria para una instalación completa. Siga escrupulosamente las instrucciones para convertir correctamente el regulador de alta presión y los ajustes de la válvula de cierre de gas.

Para instalar el aparato en altitudes altas, consulte a su proveedor de gas para que le comunique sus recomendaciones acerca de las dimensiones adecuadas para el orificio del conducto de suministro de gas y de otros ajustes necesarios para asegurar una combustión adecuada del gas en altitudes particulares.



### ADVERTENCIA:

No quite la placa trasera de la estufa. Sólo un técnico autorizado puede quitarla.



### PRECAUCIÓN:

Cuando conecte el aparato a gas propano, asegúrese de que el tanque de gas propano venga con su propio regulador de alta presión además del regulador de presión que se incluye con la estufa. La máxima presión de gas de este aparato no debe exceder 14.0 pulgadas (34.9 mb) de columna de agua entre el tanque de gas propano y el regulador de presión.





## WARNING:

Si se usa un juego de conversión, una agencia cualificada debería llevar a cabo la instalación conforme a las instrucciones del fabricante y a todos los códigos vigentes. Si no se siguen exactamente esas instrucciones, un incendio, una explosión o emanaciones de monóxido de carbono podrían dañar su propiedad, producir lesiones o causar la muerte. La agencia cualificada es responsable de la correcta instalación del juego de conversión. No se puede considerar la instalación como adecuada y acabada antes de que se compruebe el funcionamiento del aparato, conforme a las instrucciones del fabricante, proporcionadas con el juego de conversión.

### REQUISITOS PARA GAS NATURAL:

Conexión de entrada:	NPT ¾ pulg. (19 mm) externo NPT ½ pulg. (12,7 mm) interno (conducto flexible – mín. de ¾ pulg. de diámetro)
Presión de suministro:	6 pulg. mín. a 14 pulg. máx. (14,9 mb a 34,9 mb) de columna de agua
Presión del colector:	5 pulg. (12,5 mb) de columna de agua

### REQUISITOS PARA GAS PROPANO:

Conexión de entrada:	NPT ¾ pulg. (19 mm) externo NPT ½ pulg. (12,7 mm) interno (conducto flexible – mín. de ¾ pulg. de diámetro)
Presión de suministro:	11 pulg. mín. a 14 pulg. máx. (27,4 mb a 34,9 mb) de columna de agua
Presión del colector:	10 pulg. (24,9 mb) de columna de agua

## Conexión

Un técnico competente debe realizar las conexiones del suministro de gas conforme a los códigos y regulaciones locales. A falta de códigos locales, la instalación debe estar conforme al Código Nacional de Gas Combustible ANSI Z223.1/NFPA54 – edición actual.

Se debe instalar una válvula manual de cierre del sistema de suministro de gas en un lugar accesible en la parte delantera del aparato. La línea de suministro no debe interferir con la parte trasera del aparato.

La estufa viene con su propio regulador de presión montado permanentemente dentro del cuerpo de la estufa.

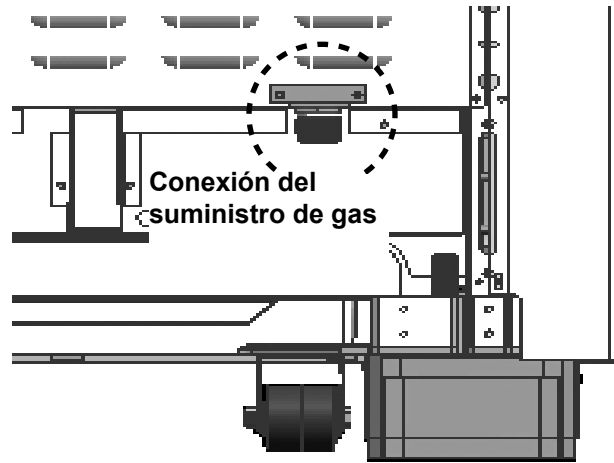


Figura 14: Conexión del colector del suministro de gas

- Asegúrese de cerrar el suministro de gas con la válvula de cierre manual antes de conectar el aparato.
- Utilice un conducto flexible de ¾ pulg. (19 mm) entre el suministro de gas y la línea de suministro del aparato. La línea de suministro de gas está ubicada detrás de la estufa, abajo a la derecha. La línea externa de suministro de gas del aparato tiene una rosca de tipo NPT ¾ pulg. (19 mm) y la rosca interna es de tipo NPT ½ pulg. (13 mm) (vea la Figura 14).
  - Tenga cuidado para no torcer el conducto flexible de ¾ pulg. (19 mm) cuando lo doble.
  - La longitud recomendada del conducto flexible es de 48 pulg. (1219 mm). Consulte los códigos locales para conocer mejor las exigencias antes de proceder a la instalación.
  - Siempre use grasa para rosca o cinta de Teflon® en las roscas de los tubos y tenga cuidado para no aplicar demasiada presión al apretar las conexiones.
- Las pruebas de fugas del aparato deben estar conforme a las siguientes instrucciones.
  - Prenda el gas y revise las conexiones de la línea de suministro para ver si hay fugas usando una solución de agua y jabón.
  - Si aparecen burbujas, esto indica una fuga de gas. Repare todas las fugas de inmediato.



## ADVERTENCIA:

No use ningún tipo de llama para verificar si hay fugas de gas.

El instalador es responsable de asegurarse de que se lleven a cabo la instalación, la conexión de gas y la toma de tierra conforme a todos los códigos locales vigentes.

No intente ajustar de ningún modo el regulador de presión.



**PRECAUCIÓN:**

El aparato debe estar aislado del sistema de tubería de suministro de gas cerrando la válvula manual de cierre durante cualquier prueba de la línea de suministro de gas a presiones de prueba igual a o inferior a ½ psi (3,5kPa.).

Se deben desconectar el aparato y su válvula individual de cierre del sistema de suministro de gas durante toda prueba del sistema a presiones por encima de 1/2 psi (3,5kPa.).

Cuando verifique la presión de gas del colector, la presión de entrada al regulador debe ser al menos de 6.0 pulg. (14.9 mb) de columna de agua para gas natural o de 11.0 pulg. (27,4 mb) para gas propano.

No modifique de ningún modo el regulador de alta presión.

## Paso 7: Requisitos de alimentación y conexión eléctrica, y de toma de tierra

Antes de proceder al servicio del aparato, desconecte siempre la alimentación del enchufe de la pared, si procede. Si el aparato está conectado de forma directa a la fuente de alimentación, corte la alimentación eléctrica del aparato apagando el disyuntor o el fusible adecuado. Bloquee el panel de servicio para impedir que se encienda accidentalmente la alimentación.

Los modelos de estufas mixtas se pueden conectar en la pared o directamente a la alimentación eléctrica (vea la página 17).

**Tabla B: Exigencias para los circuitos de alimentación eléctrica**

Modelo	Tensión	Capacidad nominal	Frecuencia	Fase
36 pulg.	240/208 VCA	35 A	60 Hz	Monofásico
48 pulg.	240/208 VCA	50 A	60 Hz	Monofásico

- La fuente de alimentación (panel de cortocircuitos / fusibles) debe estar equipada con un cable neutral de alimentación ya que los componentes críticos de la estufa, incluyendo los módulos de reencendido por chispa de los quemadores superficiales, requieren 120 VCA para funcionar correcta y seguramente.
- Cuando el circuito eléctrico correcto no es adecuado, es responsabilidad y obligación del instalador y del usuario hacer conectar una fuente de alimentación apropiada por un técnico cualificado. Incumbe al instalador asegurarse de la observación de los códigos locales. La instalación debe estar hecha conforme a todos los códigos y regulaciones locales aplicables. A falta de códigos locales, la conexión de la fuente de alimentación debe ser conforme al Código Eléctrico Nacional.
- La toma de tierra debe estar hecha conforme a todos los códigos vigentes. Sino, se debe aplicar la norma de electricidad ANSI/NFPA No 70 (EEUU) vigente. Consulte la información de la presente sección (Paso 7) para conocer el método de toma de tierra a utilizar.
- Los diagramas eléctricos a los que debe recurrir el técnico de servicio cualificado se encuentran detrás del adorno de la puerta de la hornilla (vea *Figura 5*).
- Se deben conectar las estufas a la alimentación eléctrica de 240/208 VCA.



**PRECAUCIÓN:**

Una fuente de alimentación incorrecta de 120/ 240 VAC causará el mal funcionamiento de este aparato, dañará la estufa y podría presentar un riesgo de descarga eléctrica.

Se deben conectar los modelos de estufas mixtas a la fuente de alimentación eléctrica utilizando uno de los siguientes métodos. Para todos los métodos de conexión, la longitud del cable o del conducto / cableado debe permitir que la unidad pueda sacarse completamente de los armarios sin que se tenga que desenchufar o desconectar el aparato de la fuente de alimentación. La longitud mínima recomendada para el cable o conducto es de cuatro pies. Las instalaciones eléctricas y la toma de tierra deben estar conformes a todos los códigos y regulaciones locales, o al Código Eléctrico Nacional, según el caso.

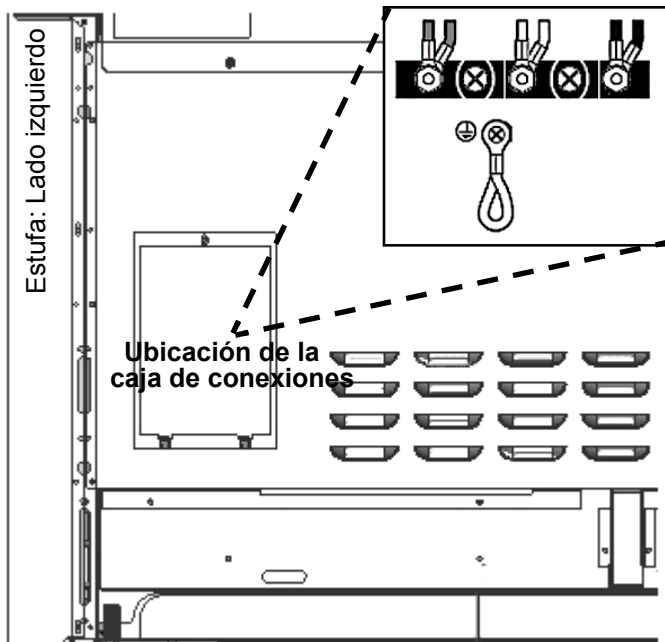


Figura 15: Ubicación de la caja de conexiones

**CONEXIÓN PERMANENTE (CABLEADO DIRECTO)** — Se pueden conectar los aparatos directamente a la fuente de alimentación. El instalador debe suministrar un conducto flexible de aluminio aprobado, de un tamaño comercial de 3/4 pulg. (19 mm), de una longitud máxima de 6 pies (1,8 metro). Localice la caja de conexiones en la parte trasera del aparato y quite la cubierta (consulte la Figura 15). Se debe fijar el conducto a la caja de conexiones utilizando un conector de conducto aprobado. Se debe conectar la extremidad libre del conector de conducto a una caja de conexiones instalado en la zona de alimentación eléctrica, como se muestra en la Figura 3.

Instale un prensacables (no incluido) en el orificio de 1 pulg. (25,4 mm) de diámetro situado debajo de la caja de conexiones (vea la Figura 16). El cableado del aparato debe llegar hasta la caja de conexiones mediante el conducto, pasando a través del prensacables. Las extremidades de los cables deben tener fijadas lengüetas cerradas de 1/4 pulg., preferentemente soldadas en su lugar. Realice las conexiones a la caja de conexiones incluida (vea la Figura 15).

Si se usa un cable de aluminio en la instalación, empalme el cable de aluminio con un cable de cobre de un grosor adecuado, para que se adapte a la estufa, utilizando conectores especialmente diseñados y certificados para unir cables de aluminio y de cobre. Siga el proceso de instalación recomendado por el fabricante del conector.

**Instalador** —muestre al propietario la ubicación del disyuntor o del fusible. Márquela para recordarla más fácilmente.



**ADVERTENCIA:**

La incorrecta conexión del cable de aluminio puede presentar un riesgo de descarga eléctrica. Una únicamente conectores diseñados y certificados para una conexión con un cable de aluminio.

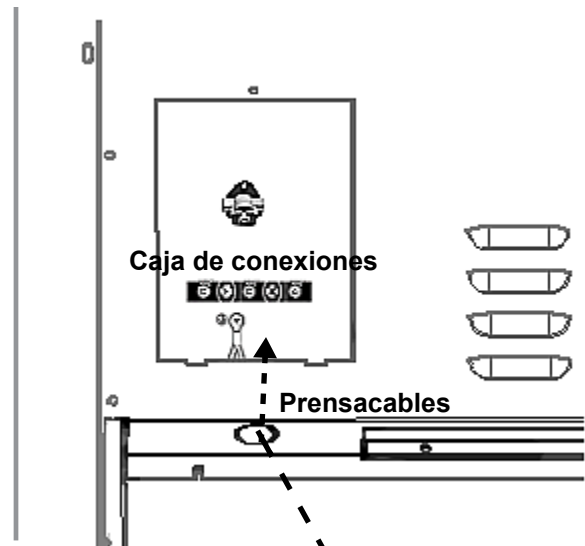


Figura 16: Ubicación del prensacables

**CABLE DE 4 CONDUCTORES** — GENERALMENTE SE DEBE CONECTAR EL APARATO A LA FUENTE DE ALIMENTACIÓN CON UN CABLE DE 4 CONDUCTORES, TRIPOLAR, PARA UN VOLTAJE NOMINAL DE 125/250 VOLTIOS, 50 AMPERIOS, Y MARCADA PARA UN USO CON ESTUFAS.

Se debe fijar el cable a la caja de conexiones de la estufa con un prensacables que cabe en un orificio de un diámetro de 1". Si no viene ya equipado, el cable debe tener lengüetas cerradas de 1/4", fijadas a los extremos libres de los conductores individuales, de preferencia soldadas en su lugar.

### Conexión de 4 cables

1. Quite las tuercas superiores solamente de los bornes de la caja de conexiones. No quite las tuercas inferiores que fijan los cables del cableado interno a la estufa.
2. Instale el prensacables (no incluido con la estufa) en el orificio de 1 pulg. (6 mm) de diámetro situado en el panel trasero, debajo de la caja de conexiones (vea la *Figura 16*). Pase los cables por el prensacables.
3. Fije el cable neutro de toma de tierra del circuito de alimentación al contacto central de la caja de conexiones con una tuerca (vea la *Figura 17*).
4. Fije los conductores de alimentación L1 (negro) y L2 (rojo) a los contactos de la caja de conexiones exterior (color latón) con tuercas.
5. Quite el tornillo verde del cable de toma de tierra situado debajo de la caja de conexiones. Tire del cable blanco.
6. Fije el cable desnudo de cobre de toma de tierra al chasis de la estufa utilizando el tornillo de toma de tierra previamente usado con el cable blanco. Asegúrese de que los bornes de neutro y de toma de tierra no hagan contacto.
7. Apriete bien todas las conexiones.

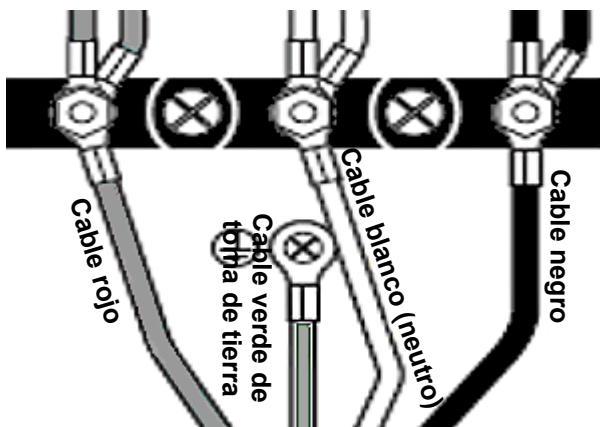


Figura 17: Conexión de cuatro cables

8. Reinstale la cubierta de la caja de conexiones.

**CABLE DE 3 CONDUCTORES** — DONDE LOS CÓDIGOS Y LAS REGULACIONES LOCALES PERMITEN LA TOMA DE TIERRA A TRAVÉS DEL CONDUCTOR NEUTRO, Y LA CONVERSIÓN DE ALIMENTACIÓN A 4 CABLES ES ALGO IRREALIZABLE, SE PUEDE CONECTAR EL APARATO A LA FUENTE DE ALIMENTACIÓN CON UN CABLE DE 3 CONDUCTORES, TRIPOLAR, CON UN VOLTAJE NOMINAL DE 125/250 VOLTIOS, 50 AMPERIOS, MARCADA PARA UN USO CON ESTUFAS.

Fije el cable a la caja de conexiones de la estufa con un prensacables que quepa en un orificio de un diámetro de 1 pulg. (25,4 mm). Si no es el caso, el cable debe tener lengüetas cerradas de ¼ pulg. (6 mm), fijadas a los extremos libres de los conductores individuales, preferentemente soldadas en su lugar.

### Conexión de 3 cables

1. Quite solamente las tuercas superiores de los contactos de la caja de conexiones. No quite las tuercas que fijan los cables del cableado interno de la estufa.
2. Instale el prensacables (no incluido con la estufa) en el orificio de 1 pulg. (6 mm) de diámetro situado en el panel trasero, debajo de la caja de conexiones (vea la *Figura 16*). Pase los cables por el prensacables.
3. Fije el cable neutro de tierra del circuito de alimentación al contacto central (color plata) de la caja de conexiones (vea la *Figura 18*).
4. Fije los conductores de alimentación L1 (negro) y L2 (rojo) a los contactos correspondientes de la caja de conexiones exterior (color latón) con tuercas.
5. Fije una de las extremidades del cable neutro lazado, situado debajo de la caja de conexiones, al contacto central de la caja de conexiones con una tuerca y fije la otra extremidad a la parte trasera de la estufa.
6. Apriete bien las tuercas.

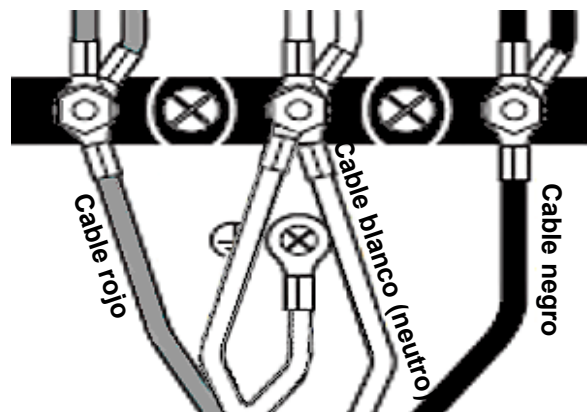


Figura 18: 3-Wire Connection

7. Reinstale la cubierta de la caja de conexiones.

## Paso 8: Instalación de la consola trasera (opcional)

Los métodos de instalación varían según las necesidades. Antes de empezar, lea atentamente estas instrucciones. Observe todos los códigos locales.


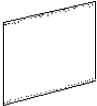


### ADVERTENCIA:

Para evitar posibles quemaduras o incendios, se debe quitar todo el material del embalaje del accesorio antes de usarlo.

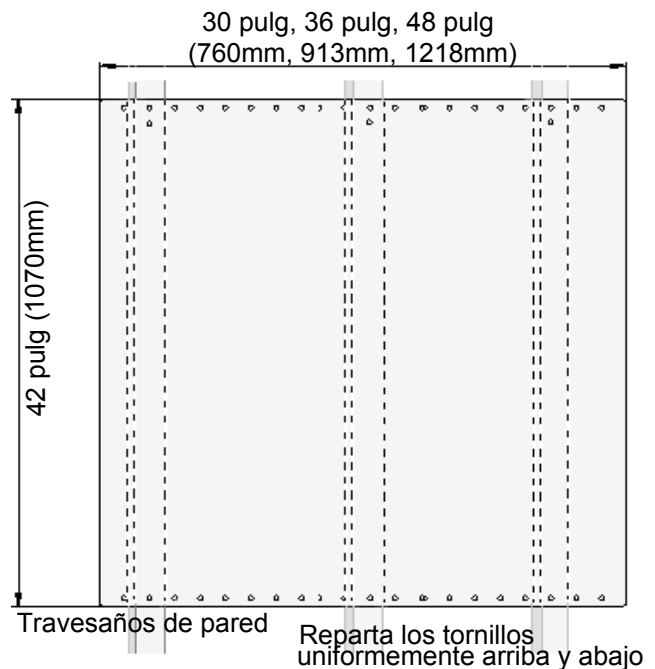
### Instalación de la consola trasera de protección

(PA [30,36, 48] JBS)

Piezas incluidas	Herramientas requeridas
 (10) tornillos de 1 pulg. (25,4 mm)	Destornillador o punta Phillips
 (1) consola trasera de protección	Cinta métrica
(1) manual de instalación	Lápiz

- Se debe instalar la consola trasera de protección antes de instalar una campana, ya que la campana cubre los tornillos de fijación superiores de la consola trasera de protección.
- Para proteger la consola trasera de protección contra los rasguños, deje la lámina adhesiva de plástico que la cubre hasta terminar la instalación.
- Si la estufa ya está instalada, consulte las instrucciones del fabricante para desconectar el suministro de gas y la alimentación eléctrica. Desplace la estufa para tener acceso a la pared trasera.

1. Localice y marque los sitios donde pasan los travesaños de pared.
  - Normalmente, los travesaños de pared se instalan a intervalos de 16 pulg. o 24 pulg. (406 mm o 1372 mm).
2. La altura de la campana determinará la altura de instalación del borde superior de la consola trasera de protección. Se debe instalar la consola trasera de protección para que el borde inferior de la campana cubra la parte superior de la consola trasera de protección de 1-½ pulg. (38 mm).
3. Utilice dos de los tornillos proporcionados para fijar las partes inferior y superior de la consola trasera de protección a cada travesaño de pared (vea la *Figura 19*).
  - En algunos casos, y teniendo en cuenta la anchura variable de los travesaños de pared y de las consolas traseras de protección, se puede encontrar únicamente un travesaño de pared en el sitio de instalación.
4. Quite la lámina de protección de plástico..



**Figura 19: Instalación de la consola trasera**

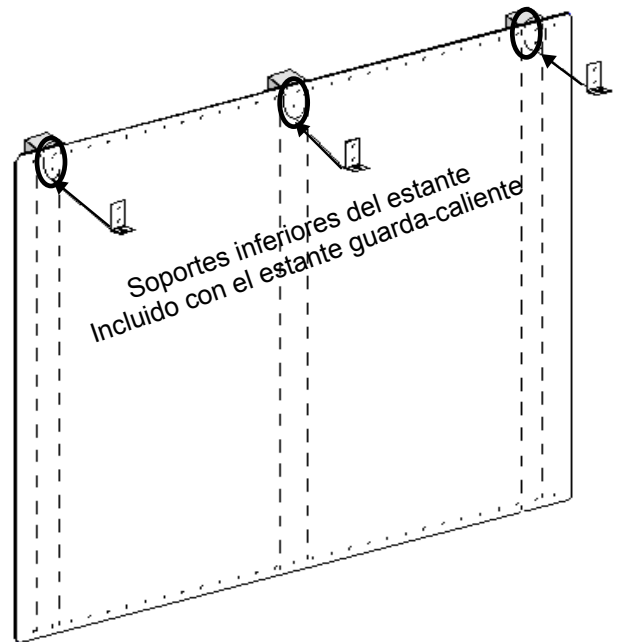
## Instalación de la consola trasera de protección con un estante guarda-caliente



**Figura 20: Consola trasera de protección con estante guarda-caliente**

- Se puede instalar primero la campana si instala la consola trasera de protección con un estante guarda-caliente ya que este estante cubrirá los tornillos de fijación superiores de la consola trasera de protección (Figura 20).
- Para proteger la consola trasera de protección de rasguños, deje la lámina adhesiva de plástico que la cubre hasta terminar la instalación.
- Si la estufa ya está instalada, consulte las instrucciones del fabricante para desconectar el suministro de gas y la alimentación eléctrica. Desplace la estufa para tener acceso a la pared trasera.

1. Localice y marque los sitios donde pasan los travesaños de pared.
  - Normalmente, los travesaños de pared se instalan a intervalos de 16 pulg. o 24 pulg. (406 mm o 1372 mm).
2. La altura de la campana determinará la altura de instalación del borde superior de la consola trasera de protección. Se debe instalar la consola trasera de protección para que la parte trasera del estante guarda-caliente cubra la parte superior de la consola trasera de protección de 1-½ pulg. (38 mm).
3. En el lugar indicado en la *Figura 21*, fije los soportes inferiores proporcionados con el estante guarda-caliente a través de la consola trasera de protección en los travesaños de pared.
  - En algunos casos, y teniendo en cuenta la anchura variable de los travesaños de pared y de las consolas traseras de protección, se puede encontrar únicamente un travesaño de pared en el sitio de instalación.
4. Quite la lámina de protección de plástico.
5. Comience la instalación del estante guarda-caliente.



**Figura 21: Consola trasera de protección con estante guarda-caliente**



## Estante guarda-caliente

(KHS [30,36,42,48] QS)

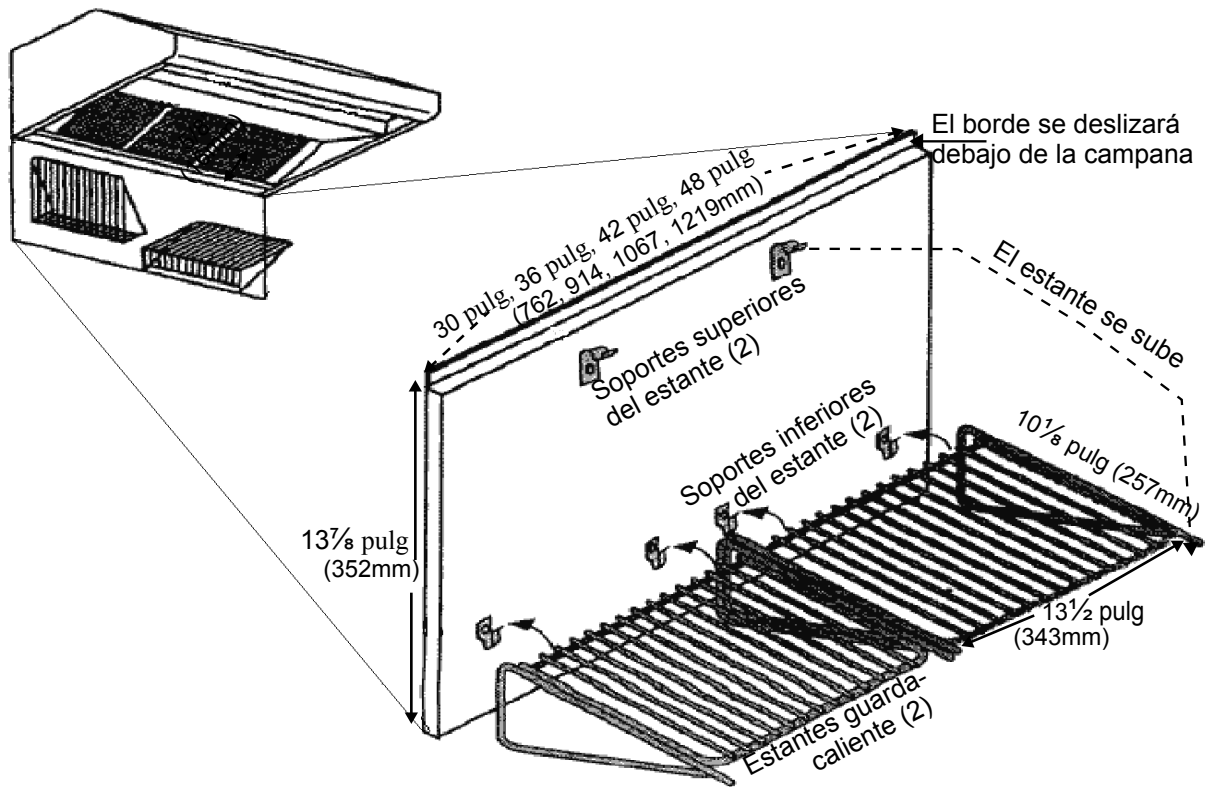





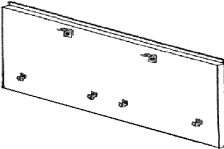


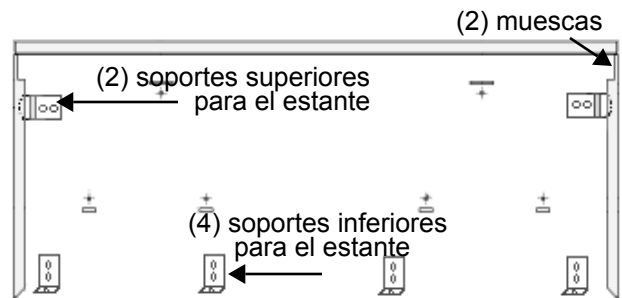
Figura 22: Estante guarda-caliente

Piezas incluidas	
	(12) tornillos de 1 pulg. (25,4 mm) (4) tornillos de 1/2 pulg. (12,7 mm)
	(4) tuerca en U
	(2) soportes superiores para el estante
	(4) soportes inferiores para el estante
	(2) rejillas guarda-caliente
	(1) consola trasera para estante guarda-caliente
(1) manual de instalación y patrón de papel	

Herramientas requeridas
Cinta métrica
Destornillador o punta Phillips
Cinta de pintor
Cuchillo o tijeras
Lápiz

1. Pegue con cinta los patrones de papel proporcionados con el estante guarda-caliente de la forme siguiente:
  - Pegue la hoja titulada Left Hand Template en la esquina inferior izquierda alineando el borde inferior de la campana y la línea superior del patrón.
  - Pegue la hoja titulada Right Hand Template en la esquina inferior derecha alineando el borde inferior de la campana y la línea superior del patrón.
  - Pegue la hoja titulada Installation Instruction para que la flecha de encima del patrón esté alineada con la línea central de la campana. Alinee el borde inferior de la campana y la línea superior del patrón.
  - Los lados del patrón deben corresponder a la longitud del estante.
2. Instale los dos soportes superiores del estante y los tres soportes inferiores del estante en los sitios indicados en los patrones. Fíjelos con los diez tornillos de 1 pulg. (25,4 mm) proporcionados.
3. Corte el patrón alrededor de los soportes y quítelo de la pared. No lo tire antes de terminar la instalación del estante guarda-caliente.
4. Inserte las cuatro tuercas en los cuatro soportes inferiores del estante.

5. Instale la placa mural colocando las muescas de las esquinas (dorso de la placa mural) encima de los dos soportes superiores del estante. Deslice el accesorio del estante hacia arriba hasta que la parte inferior se enganche en los soportes inferiores (Figura 23).



**Figura 23: 48 Pulg Dorso de la placa mural**

6. Asegúrese de que la parte superior del accesorio del estante esté bien fijada tirando de la parte superior del accesorio del estante.
7. Fije la parte inferior del accesorio del estante con los cuatro tornillos ½ pulg. (12,7 mm) proporcionados.

**Para un estante guarda-caliente de 48 pulg.**

Siga los pasos 1-6 teniendo en cuenta que los soportes inferiores se deben instalar a intervalos de 15 pulg. (381 mm).

## Instalación de la consola trasera baja

### DISPONIBLE CON LOS PRO GRAND® MODELOS SIGUIENTES:

PRD364JDGU	Estufas mixtas Pro Grand de 36 pulg. con cuatro quemadores y una plancha
PRD364JDGC	Estufas mixtas Pro Grand de 36 pulg. con cuatro quemadores y una plancha – Canadá
PRD366JGU	Estufas mixtas Pro Grand de 36 pulg. con seis quemadores
PRD366JGC	Estufas mixtas Pro Grand de 36 pulg. con seis quemadores – Canadá
PRD486JDGU	Estufas mixtas Pro Grand de 48 pulg. con seis quemadores y una plancha
PRD486JDGC	Estufas mixtas Pro Grand de 48 pulg. con seis quemadores y una plancha – Canadá
PRD48JDGSU	Estufas mixtas Pro Grand de 48 pulg. con una hornilla al vapor
PRD48JDSCG	Estufas mixtas Pro Grand de 48 pulg. con una hornilla al vapor – Canadá

#### NOTA:

Si se usa una consola trasera de protección con la consola baja, instale primero la consola trasera de protección, luego la consola baja antes de volver a colocar la estufa en su sitio.



#### ADVERTENCIA:

Para evitar posibles quemaduras o incendios, se debe quitar todo el material de embalaje del accesorio antes de usarlo.



#### ADVERTENCIA:

Tenga cuidado para no pellizcarse los dedos o las manos al instalar la consola trasera. Podría lesionarse gravemente. Lleve guantes de protección gruesos para evitar cortarse o lastimarse los dedos o las manos al deslizar la consola sobre la estufa.



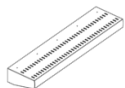
#### PRECAUCIÓN:

¡El estante alto puede calentarse mucho!  
NO coloque encima de este estante:

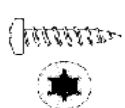
- plásticos o contenedores que se pueden derretir
- artículos inflamables
- una carga de más de 30 libras (13,6 kg)

#### Piezas proporcionadas con el estante alto

(1) panel superior



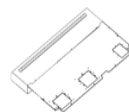
(1) panel delantero



(13) tornillos Torx T-20 de acero inoxidable  
(16 o 14) tornillos de punta Torx T-20

(1) manual de instalación

#### Piezas proporcionadas con la consola baja



(1) panel



(9 o 8) tornillos Torx T-20 de acero inoxidable  
(8 o 6) tornillos de punta Torx T-20

(1) manual de instalación

#### Herramientas requeridas

Destornillador o punta Torx T-20

Guantes de protección



Figura 24: Vista frontal del estante y de la consola trasera baja

Números de modelo para las consolas traseras bajas			
Modelo	36"	48"	48" de vapor
Consola trasera baja	PA36JLBG	PA48JLBG	PA48JLBSG
Estante alto	PA36JHSG	PA48JHSG	PA48JHSSG
Adorno tipo isla	Proporcionado con la estufa		

Quando se instala sobre una superficie combustible, se debe usar una consola trasera baja o un estante alto. Se debe comprar por separado una consola trasera baja o un estante alto THERMADOR®. Vea la sección sobre los espacios libres en la página 6 para obtener más información.

Quando se utiliza el adorno de isla THERMADOR, hace falta un espacio libre trasero mínimo de 12 pulg. (305 mm) entre el aparato y la superficie combustible (vea la Figura 1, Espacios libres para los armarios). Los espacios libres para las materias no combustibles no forman parte de la norma ANSI Z21.1 y no están certificados por la CSA. Los códigos locales o la autoridad local competente deben aprobar los espacios libres de menos de 12 pulg. (305 mm).

## Ensamblaje del estante alto

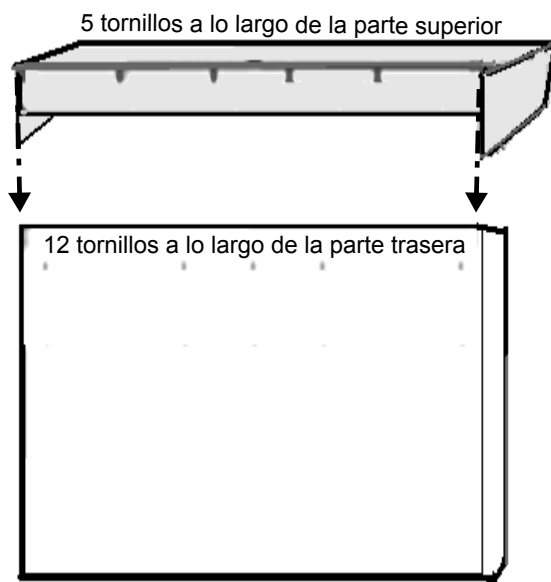


Figura 25: Vista trasera de la consola de protección

1. Quite la lámina de protección de plástico.
2. Inserte el estante en las guías de la consola trasera baja.
3. Fije cinco tornillos de acero inoxidable a lo largo de la parte superior del estante y doce tornillos de acero inoxidable en la parte trasera del estante.
4. Comience la instalación de la consola trasera baja.

## Instalación de la consola trasera baja

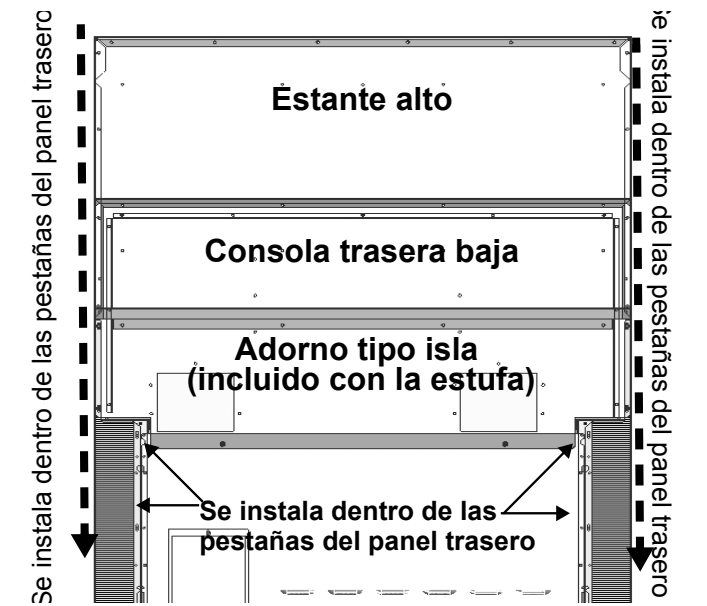


Figura 26: Instalación de la consola trasera baja

1. Quite la lámina de protección de plástico.
2. Según el modelo, quite los tres o cuatro tornillos Torx T-20 de acero inoxidable de la cara del adorno tipo isla proporcionado, los cuatro tornillos de punta que sujetan el adorno a los paneles laterales y los dos o cuatro tornillos de punta que mantienen la placa trasera en su sitio. Levante el adorno para quitarlo totalmente.
3. Alinee el panel trasero de la consola con las pestañas de los rincones de izquierda y derecha de los paneles laterales. La consola trasera baja se inserta en las guías situadas detrás de la estufa.
4. Asegúrese de que la parte frontal de la consola esté fuera de la pestaña de la parte frontal de la estufa.
5. Vuelva a instalar los tornillos en el panel delantero y los paneles laterales de la consola.
6. Atornille tornillos para fijar el panel trasero de la consola a las guías de la parte trasera de la estufa.

## Paso 9: Colocar y nivelar la estufa



### PRECAUCIÓN:

Los bordes superiores de los paneles laterales de la estufa deben estar a la misma altura o más altos que la encimera adyacente. Si se usa la estufa a una altura más baja que la encimera adyacente, los armarios podrían estar expuestos a temperaturas excesivas, lo que podría dañar la encimera y los armarios (vea la Figura 29).

Para obtener un rendimiento óptimo, la estufa debe estar nivelada. Esto es muy importante para todos los aparatos que vienen equipados con una plancha). La cavidad de la hornilla también debe estar nivelada para obtener un rendimiento óptimo.

1. Las patas traseras de las estufas tienen ruedas (vea la Figura 27). Esas ruedas facilitan el desplazamiento de la estufa. Puede empujar la estufa en su posición final levantando ligeramente la parte delantera del aparato.
2. La estufa tiene cuatro patas ajustables, enroscadas en la base moldada de aluminio del aparato. Se puede nivelar la estufa girando con una llave ajustable de 12 pulg. (305 mm) los lados planos de cada pata.
  - Se recomienda medir la altura de la encimera con una cinta métrica, aumentar entre 1/16 pulg. y 1/8 pulg. (2-3 mm) y ajustar las patas antes de colocar la estufa en su posición final.
3. El ajuste de la altura se debe hacer poco a poco, alternando entre cada una de las cuatro patas hasta que los bordes superiores de los paneles laterales de la estufa estén aproximadamente a la misma altura que la encimera.
4. Los ajustes finales de la altura de las dos patas traseras se deben hacer antes de mover la estufa hasta su posición final entre los armarios.

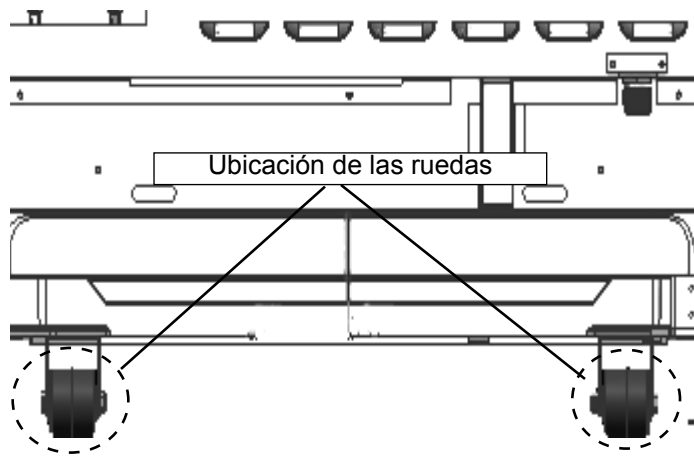


Figura 27: Ubicación de las ruedas

5. En el momento de instalar la estufa en su posición final, asegúrese de que el gancho del soporte antivuelco se inserte correctamente en la brida trasera de la base moldada (vea el "Paso 5: Instalación del dispositivo antivuelco"). Para comprobar si se engancha, puede mirar a través de la abertura delante del aparato, cerca del piso.
6. Cuando la estufa se halla en su posición final, los ajustes de altura finales y el alineamiento con la encimera se hacen con las patas delanteras.

## Ajuste de la inclinación de la plancha

(con algunos modelos)

Si la estufa viene equipada con una plancha eléctrica, revise el ajuste de la plancha echando dos cucharadas de agua sobre la parte trasera de la bandeja de la plancha. El agua debería bajar lentamente hacia el colector de grasa. En caso contrario, ajuste los dos tornillos bajo la parte trasera de la bandeja. Comience con medio giro de los tornillos en sentido antihorario. Los ajustes siguientes deben ser de un cuarto de giro hasta que el agua fluya lentamente hacia el colector de grasa.

Tornillos de nivelación

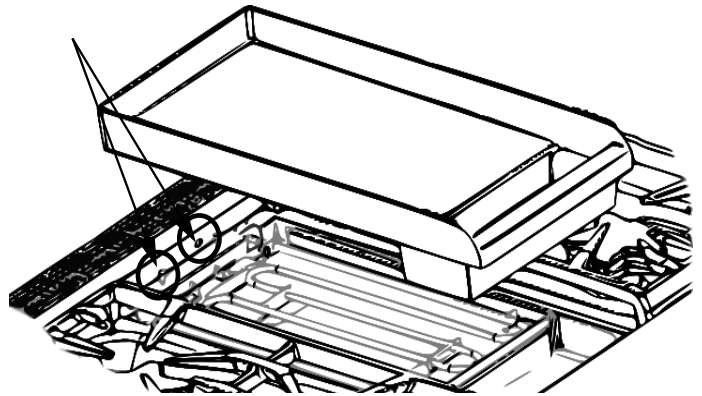


Figura 28: Tornillos de nivelación de la plancha

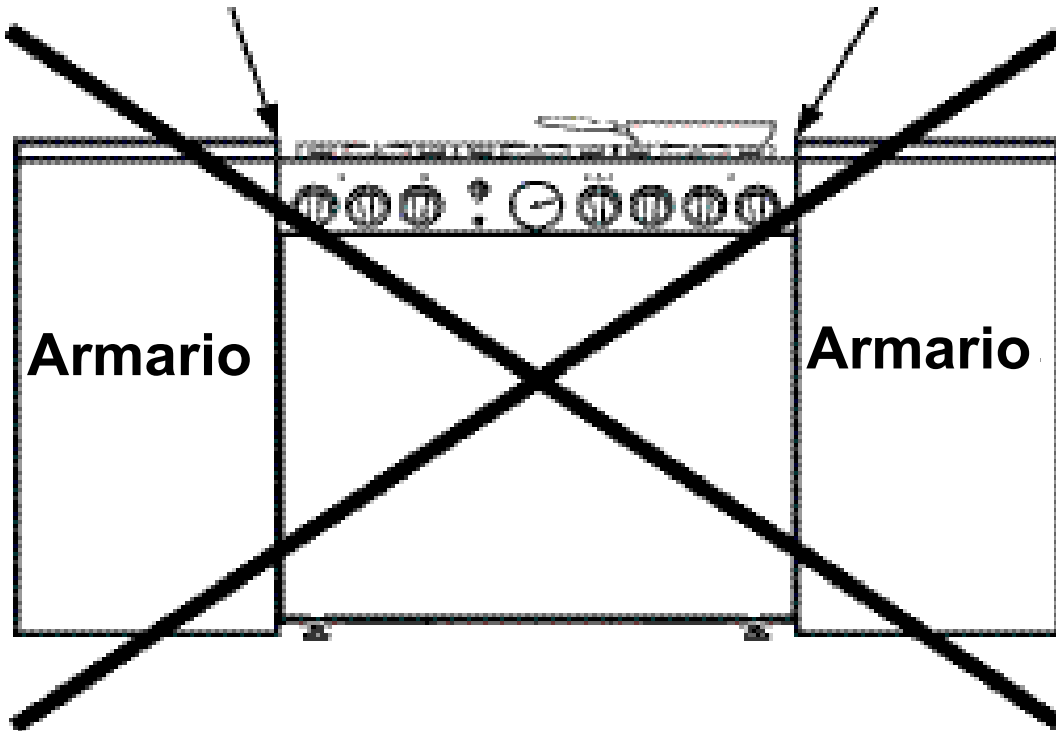


### PRECAUCIÓN:

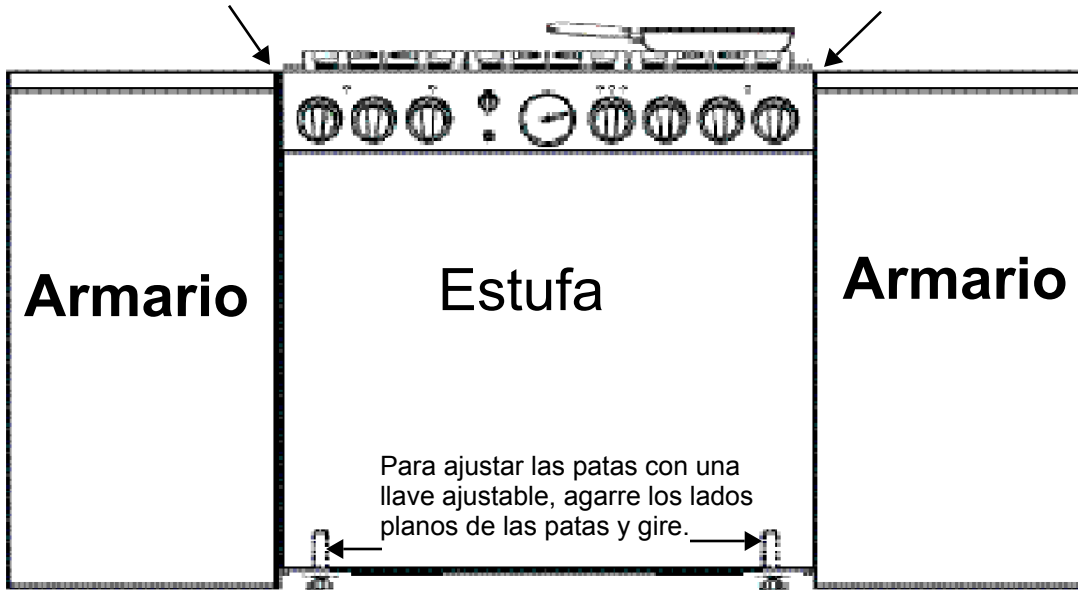
Asegúrese de que las tapas de los quemadores estén bien colocadas en sus bases en la superficie de la estufa.



¡PRECAUCIÓN! No utilice la estufa si los paneles laterales están más bajos que la encimera. Las altas temperaturas de la hornilla podrían dañar los armarios o la encimera.



¡CORRECTO! – Las patas ajustables deberían ajustarse para que los paneles laterales estén a la misma altura que los armarios



**Nota:** Se da por supuesto que la encimera adyacente a la estufa está bien nivelada.

Figura 29: Ajuste de la altura de la estufa



## Instalación de las cubiertas de patas

1. Quite el embalaje de plástico de las piezas de acero inoxidable.
2. Coloque la pieza más corta, con los cortes hacia arriba, dentro de la pieza más ancha, con la parte abierta de las dos piezas hacia atrás (*Figura 30*).
3. Debajo de la estufa, instale las piezas juntas alrededor de una pata.
4. Deslice la pieza exterior hacia arriba dejándola pieza interior descansar en el piso. La otra pieza tiene muescas (que no se pueden ver) en las que la pieza más ancha debe engancharse. Debería sentir un chasquido indicando que el dispositivo está fijado correctamente (*Figura 31*).
5. Repita el proceso con todas las patas visibles.

Una vez que la estufa está nivelada correctamente y que las cubiertas de las patas están instaladas, vuelva a colocar el adorno de puerta y reinstale la puerta de la hornilla (vea “Paso 4: Quitar y reinstalar la puerta”).

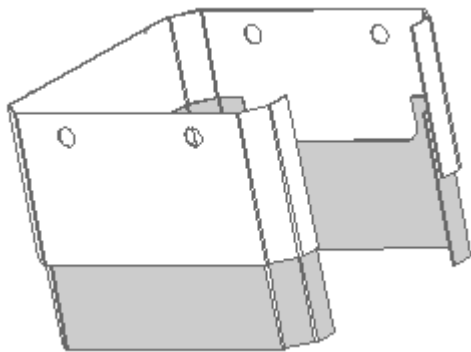


Figura 30: Cubiertas De Patas

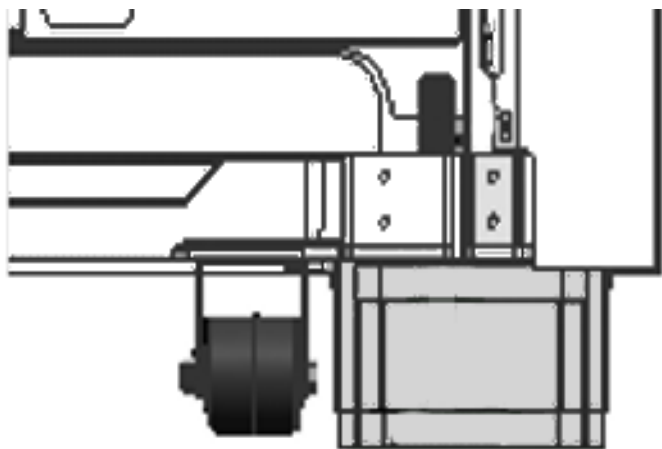


Figura 31: Cubiertas De Patas Instaladas

## Rodapié (opcional)

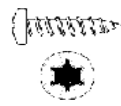
(PA [36,48] JTKG)

### Piezas incluidas del rodapié

(1) rodapié



(4) tornillos de punta Torx T-20



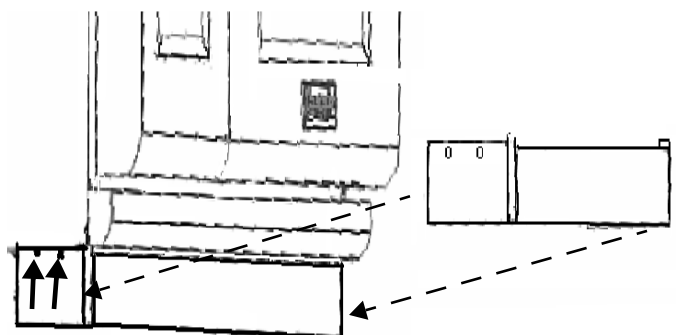
(1) manual de instalación

### Herramientas requeridas

Destornillador o punta Torx T-20

Guantes de protección

1. Quite las cubiertas de las patas deslizando la pieza exterior de la cubierta de la pata hacia abajo, desenganchando las muescas extruidas de la base de aluminio (vea la *Figura 30*).
2. Quite la lámina de protección de plástico que cubre el rodapié.
3. Bajo la estufa, con los orificios y las pestañas giradas hacia arriba, instale el rodapié alrededor de la base moldada de aluminio.
4. La pieza de acoplamiento está equipada a cada lado con muescas extruidas que se deben insertar en los orificios del rodapié. Debería sentir un chasquido indicando que el dispositivo está fijado correctamente.
5. Instale el rodapié a ambos lados del aparato fijándolo en los orificios de instalación extruidos con los tornillos de punta Torx T-20 proporcionados.



Ubicación de los dos orificios de instalación

Figura 32: Instalación del rodapié

## Paso 10: Pruebas y ajustes de los quemadores

Instale los componentes sueltos que quitó anteriormente, como las tapas y las rejillas de los quemadores. Asegúrese de asentar correctamente las tapas de los quemadores en sus bases. Antes de probar el funcionamiento del aparato, asegúrese de que no haya fugas de gas en la línea de suministro y que el aparato esté conectado a la fuente de alimentación eléctrica. Abra la válvula de cierre de gas.

### NOTA:

Antes de encender la hornilla, todas las perillas deben estar en la posición OFF. Para prevenir un funcionamiento no querido al encender la hornilla, coloque todas las perillas en la posición OFF. Para garantizar la seguridad del usuario en el caso de un apagón, un mensaje señalando un error aparece en la pantalla del aparato cuando vuelve la electricidad, a menos que todas las perillas estén en la posición OFF. Coloque todas las perillas en la posición OFF y reinicialice el automático para eliminar el mensaje.

Pruebas de los quemadores de la superficie de la estufa  
Prueba del encendedor de los quemadores. Seleccione la perilla de un quemador de la estufa. Presiónela y gire en sentido antihorario hasta HI. El módulo de chispa producirá un chasquido. Una vez que el aire se haya vaciado de las líneas de alimentación, el quemador debería encenderse en menos de cuatro (4) segundos.

Prueba de llama: opción Alta. Gire la perilla del quemador a HI. Vea la *Figura 33* para conocer las características de una llama correcta.

Si uno de los quemadores sigue produciendo una llama casi o completamente amarilla, asegúrese de que el casquillo del quemador esté posicionado apropiadamente en su base y vuelva a probar. Si las características de la llama no mejoran, póngase en contacto con THERMADOR®.

Prueba de llama: opción Fuego lento: Gire la perilla del quemador a SIM. Asegúrese de que la llama rodee completamente el quemador. Debe haber una llama en cada orificio del quemador y no debe haber un espacio de aire entre la llama y el quemador. Si uno de los quemadores no propaga la llama adecuadamente, póngase en contacto con THERMADOR.

Cuatro quemadores de la superficie de la estufa, dos a la izquierda y dos a la derecha, tienen la función XLO®, que crea un ciclo en que la llama se enciende y apaga. Esta es una operación normal.

### Cuando la llama está ajustada correctamente:

Debería salir una llama por cada orificio del quemador. No debería haber un espacio de aire entre la llama y los orificios del quemador.

Repita este proceso con todos los quemadores de la estufa.

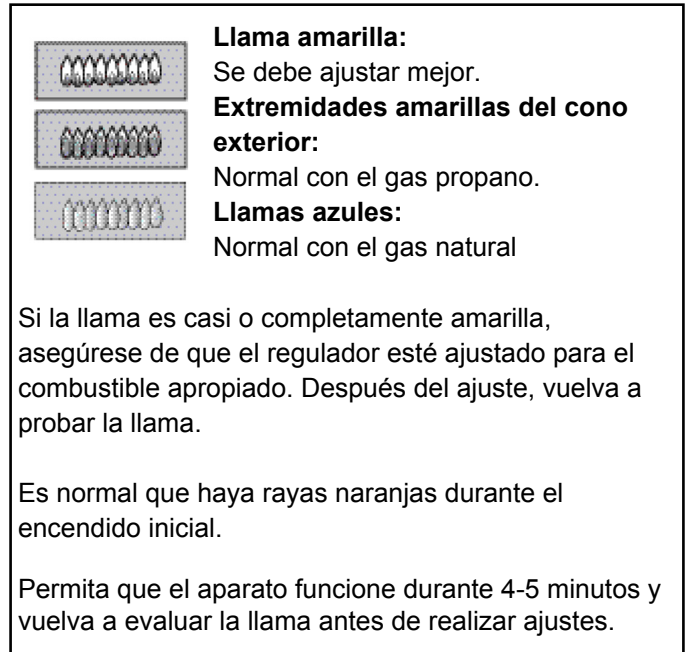


Figura 33: Características de las llamas

# Lista de chequeo para el instalador

- Se respetaron los espacios libres especificados entre la estufa y los armarios adyacentes.
- Aparato nivelado y cubiertas de patas instaladas.
- Tapas de quemadores correctamente colocadas sobre sus bases.
- Se quitó todo el material de embalaje.
- Se fijó el adorno de tipo isla o la consola trasera conforme a las instrucciones.
- Adorno de puerta reinstalado (vea la *Figura 5*).
- La plancha está bien instalada, está inclinada ligeramente hacia adelante y no hay fugas.
- Alineamiento y ajuste de la puerta de la hornilla, según la necesidad.

## Suministro de Gas

- Conexión: NPT, ¼ pulg. (19 mm) con un conducto flexible de un diámetro mínimo de ¼ pulg. (19 mm).
- El aparato está conectado solamente al tipo de gas para el cual está certificado.
- Se instaló la válvula de cierre manual de gas en un lugar accesible (sin que se tenga que mover la estufa).
- Se comprobó que no hay fugas de gas.
- Si la estufa usa gas propano, asegúrese de que el tanque de gas propano venga con su propio regulador de alta presión además del regulador de presión que se incluye con la estufa.
- El propietario sabe dónde está la válvula de cierre manual de gas.

## Electricidad

- Se usa un enchufe protegido contra las subidas de tensión de corriente en el cable de alimentación.
- Toma de tierra adecuada.
- El propietario sabe dónde está el disyuntor principal.

## Funcionamiento

- Las perillas están centradas y giran libremente.
- Cada quemador prende bien, tanto en forma individual como junto con otros quemadores funcionando.
- Las bisagras de la puerta de la hornilla están enganchadas y se cierran correctamente. La agarradera y la puerta de la hornilla están niveladas y centradas. La puerta se abre y cierra correctamente.
- Las rejillas de los quemadores están posicionadas correctamente, están niveladas y no se mueven.
- INSTALADOR:** escriba el número de modelo y el número de serie de la placa de señalización en la MANUAL DE CUIDADO Y USO (la placa se halla en el lado derecho de la estufa, entre la cavidad de la hornilla y el panel lateral). Deje el MANUAL DE CUIDADO Y USO y el MANUAL DE INSTALACIÓN al dueño del aparato.

---

# Limpieza y protección de las superficies exteriores

Se pueden limpiar las superficies de acero inoxidable con un trapo húmedo, jabonoso, y enjuagarlas con agua limpia antes de secar con un trapo suave para evitar la formación de marcas de agua. Cualquier detergente suave para vidrio quitará huellas dactilares y manchas.

Para decoloraciones o suciedades persistentes, consulte el manual de uso y cuidado.

Para sacar brillo y proteger el acero inoxidable, use un detergente o una cera como Stainless Steel Magic®.

NO deje que la suciedad permanezca largos períodos de tiempo en las superficies.

NO use fibra metálica normal o cepillos metálicos. Se pueden pegar pedazos pequeños de metal a la superficie y oxidarla.

NO permita que soluciones salinas, desinfectantes, blanqueadores o compuestos de detergentes tengan contacto prolongado con el acero inoxidable. Muchos de estos compuestos contienen químicos dañinos. Enjuague con agua después de cada exposición y seque con un trapo limpio.

Las especificaciones sirven exclusivamente para propósitos de planeación. Consulte las instrucciones de instalación y con su proveedor de encimeras antes de hacer los recortes en la encimera. Consulte a un ingeniero de calefacción y ventilación para determinar los requisitos específicos de ventilación que se aplican en su caso. Para obtener información más detallada, consulte las instrucciones de instalación que se incluyen con el producto o escriba a THERMADOR® indicando el número de modelo.

Nos reservamos el derecho de modificar las especificaciones o el diseño de nuestros productos sin previo aviso. Algunos modelos están certificados para ser usados en Canadá. THERMADOR no es responsable de los productos transportados desde Estados Unidos para un uso en Canadá. Infórmese mediante su distribuidor o detallista canadiense local.



# THERMADOR® Support/ Entretien/ Mantenimiento

## Service

We realize that you have made a considerable investment in your kitchen. We are dedicated to supporting you and your appliance so that you have many years of creative cooking.

Please don't hesitate to contact our excellent STAR® Customer Support Department if you have any questions or in the unlikely event that your THERMADOR® appliance needs service. Our service team is ready to assist you.

### USA:

800-735-4328

[www.thermador.com/support](http://www.thermador.com/support)

### Canada:

800-735-4328

[www.thermador.ca](http://www.thermador.ca)

## Parts & Accessories

Parts, filters, descalers, stainless steel cleaners and more can be purchased in the THERMADOR eShop or by phone.

### USA:

[www.thermador-eshop.com](http://www.thermador-eshop.com)

### Canada contact:

AP Wagner 800-268-7513

or

Reliable Parts 800-663-6060

## Entretien

Nous savons bien que vous avez investi une somme considérable dans votre cuisine. Nous nous faisons un devoir de vous soutenir pour que vous puissiez profiter pleinement d'une cuisine où vous pourrez exprimer toute votre créativité de nombreuses années durant.

N'hésitez pas à communiquer avec l'un des membres chevronnés de notre équipe de soutien au client si vous avez des questions ou dans le cas plutôt improbable où votre appareil THERMADOR<sup>MC</sup> aurait besoin d'entretien. Notre équipe sera prête à vous aider.

### USA:

800-735-4328

[www.thermador.com/support](http://www.thermador.com/support)

### Canada:

800-735-4328

[www.thermador.ca](http://www.thermador.ca)

## Pièces et accessoires

Vous pouvez vous procurer par téléphone ou à notre boutique THERMADOR en ligne des pièces, des filtres, des produits nettoyants pour acier inoxydable et plus encore.

### USA:

[www.thermador-eshop.com](http://www.thermador-eshop.com)

### Canada contact:

AP Wagner 800-268-7513

or

Reliable Parts 800-663-6060

## Mantenimiento

Nos damos cuenta que Usted invirtió una suma considerable en su cocina. Nos dedicamos a atenderle para que pueda sacar provecho de una cocina donde podrá expresar toda su creatividad durante muchos años.

Por favor, no dude en ponerse en contacto con uno de nuestros empleados ESTRELLAS de atención al cliente si tiene preguntas o en el caso más bien improbable que su aparato THERMADOR® necesite mantenimiento. Nuestro equipo estará listo para ayudarle.

### USA:

800-735-4328

[www.thermador.com/support](http://www.thermador.com/support)

### Canada:

800-735-4328

[www.thermador.ca](http://www.thermador.ca)

## Piezas y accesorios

Usted puede comprar piezas, filtros, productos de limpieza para acero inoxidable por teléfono o en nuestra tienda THERMADOR en línea.

### USA:

[www.thermador-eshop.com](http://www.thermador-eshop.com)

### Canada contact:

AP Wagner 800-268-7513

or

Reliable Parts 800-663-6060

**Thermador** ™

**REAL INNOVATIONS FOR REAL COOKS™**

1901 Main Street, Suite 600, Irvine CA 92614 • 800-735-4328 • [www.thermador.com](http://www.thermador.com)  
9000668606 • Rev. C • 5U047P • © BSH Home Appliances Corporation, 2012