

36" Professional Series Pro Grand Commercial Depth All Gas Range

PRG366JG



PRG366JG Stainless steel

INNOVATION

- Powerful 22,000 BTU (NG) burner (front right)
- 18,000 BTU (NG) Star® Burners
- Precision simmering capabilities as low as 100°F (375 BTU) with 4 ExtraLow® Simmer burners
- SoftClose® hinges for ultra smooth closing of the oven door
- Superfast 2-hour self-clean mode - fastest in the industry
- Full Access® telescopic racks, integrated easy-grip handle

PERFORMANCE

- Electronic oven display interfaces to cook timer, CookControl™ meat probe and preheat status with audible alert
- Powerful, 30,000 BTU bake and 17,000 BTU broil burners
- Convection Bake offers precise multi-level baking results
- Large oven 5.5 cu.ft.-accommodates commercial sheet pan
- Six rack levels for multiple item cooking
- Star-K Kosher certified

DESIGN

- Bold Professional design
- Pinhole and panel lighting concepts provide functional and stylish aesthetics
- Restaurant style metal knobs
- Professional style, continuous cast iron grates
- Continuous porcelain, easy to clean cooking surface
- Large oven door window for maximum viewing
- Powerful halogen lighting illuminates the oven cavity
- Signature blue indicator lighting
- Patented Pedestal Star® Burner with QuickClean Base® designed for easy surface cleaning and superior heat spread for any size pan

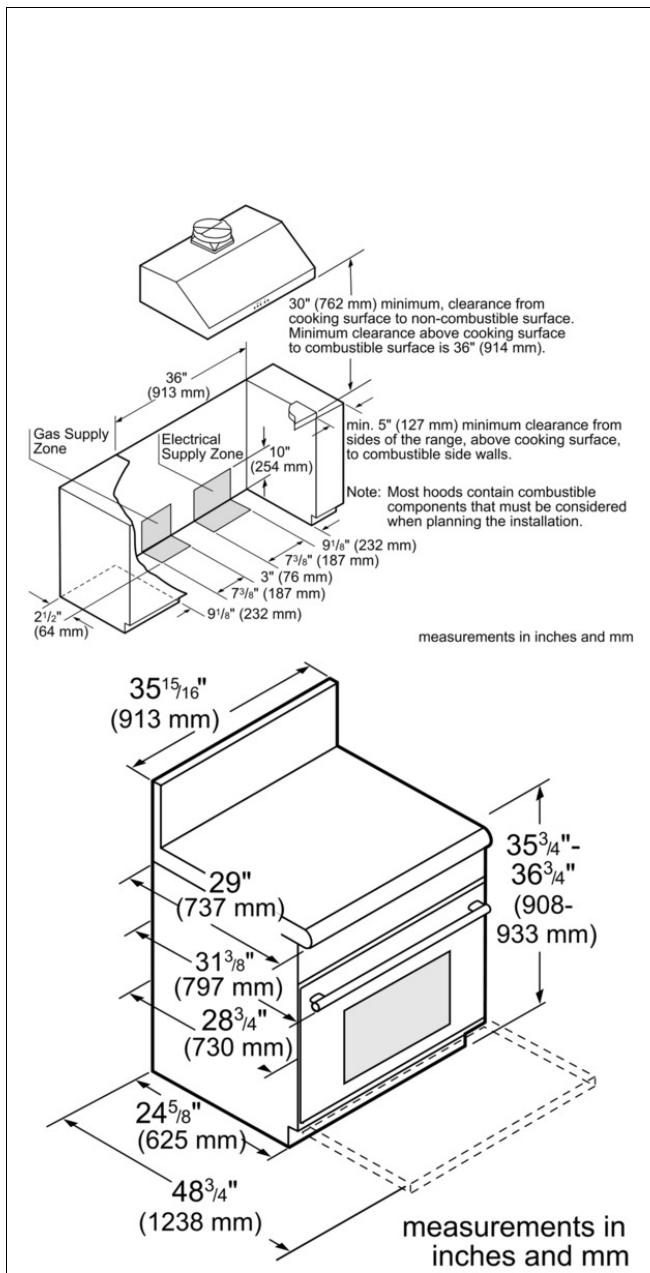
Optional accessories

- PA36JHSG 36" High Shelf for Pro Grand Ranges
- PA36JLBG 36" Low Backguard for Pro Grand Ranges
- PA36JTKG 36" Toe Kick for Pro Grand Ranges
- PAGRIDDLE Professional Griddle Accessory
- PAKNOBLKJG Black Knob Kit for Pro Grand Ranges
- PAKNOBLUJG Blue Knob Kit for Pro Grand Ranges

825225899358

36" Professional Series Pro Grand Commercial Depth All Gas Range

PRG366JG



Product Features

Total number of cooktop burners: 6
 Cooking method first cavity: , , Bake, Centre-area grill/broiler, Convection Bake, Warm
 Cleaning system - cavity 1: , Self Clean
 Type of control: electronical
 Knob Material: Full metal
 Included accessories: 3 x Telescopic rack, 1 x temperature sensor, 1 x island trim, 1 x Broiler pan
 Sealed Burners: Yes
 Number of Double grates: 3
 Bake Element Wattages cavity 1 (W): 8790
 Number of gas burners: 6
 Location of 1st heating element: front left
 Power of 1st burner (BTU): 18000
 Location of 2nd heating element: back left
 Power of 2nd burner (BTU): 18000
 Location of 3rd heating element: middle back
 Power of 3rd burner (BTU): 18000
 Location of 4th heating element: back right
 Power of 4th burner (BTU): 18000
 Location of 5th heating element: front right
 Power of 5th burner (BTU): 22000
 Location of 6th heating element: front middle / central
 Power of 6th burner (BTU): 18000
 Display Color: blue, LCD
 Safety device: automatic reignition, Overheating protection, Safety valve, Thermostat

Consumption and connection features

UPC code: 825225899358
 Product color: Stainless steel
 Gas type: Natural gas 15 mbar (USA)
 Alternative gas type:
 Natural Gas Connection Rating (BTU): 159000
 Watts (W): 900
 Current (A): 15
 Volts (V): 120
 Frequency (Hz): 60; 50-60
 Approval certificates: CSA
 Required cutout size (HxWxD) (in): 36" width slide-in
 Overall appliance dimensions (HxWxD) (in): 35 7/8" x 35 15/16" x 28 7/8"
 Variable cooker height (in): 7/8"
 AHAM volume (of cavity) - cavity 1: 3
 Product packaging dimensions (HxWxD) (in): 45 x 40 x 36